



US00D592149S

(12) **United States Design Patent**
Lee et al.

(10) **Patent No.:** **US D592,149 S**
(45) **Date of Patent:** **** May 12, 2009**

(54) **COMPUTER GAME CONNECTOR**

(74) *Attorney, Agent, or Firm*—LaRiviere, Payne & Payne, LLP

(75) Inventors: **Noel Lee**, Las Vegas, NV (US); **Jacky Hsiung**, San Jose, CA (US)

(57) **CLAIM**

(73) Assignee: **Monster Cable Products, Inc.**, Brisbane, CA (US)

The ornamental design for a computer game connector, as shown and described.

(**) Term: **14 Years**

DESCRIPTION

(21) Appl. No.: **29/299,863**

A portion of the disclosure of this patent document contains material which is subject to copyright protection. The copyright owner has no objection to the facsimile reproduction by any one of the patent document or the patent disclosure, as it appears in the Patent and Trademark Office patent file or records, but otherwise reserves all copyright rights whatsoever.

(22) Filed: **Jan. 5, 2008**

(51) **LOC (9) Cl.** **13-03**

(52) **U.S. Cl.** **D13/153**

(58) **Field of Classification Search** D13/133, D13/153, 154, 184; D21/323, 324, 385; 439/352, 357, 358, 502, 607, 609, 610, 680
See application file for complete search history.

FIG. 1 is a top, front, and left side perspective view of a computer game connector showing our new design;

FIG. 2 is a front elevational view thereof;

FIG. 3 is a rear elevational view thereof;

FIG. 4 is a right side elevational view thereof;

FIG. 5 is a left side elevational view thereof;

FIG. 6 is a top plan view thereof;

FIG. 7 is a bottom plan view thereof; and,

FIG. 8 is a reduced top, front, and left side perspective view thereof, with the broken-line disclosure of multiple connector heads being for illustrative purposes only and forming no part of the claimed design.

(56) **References Cited**

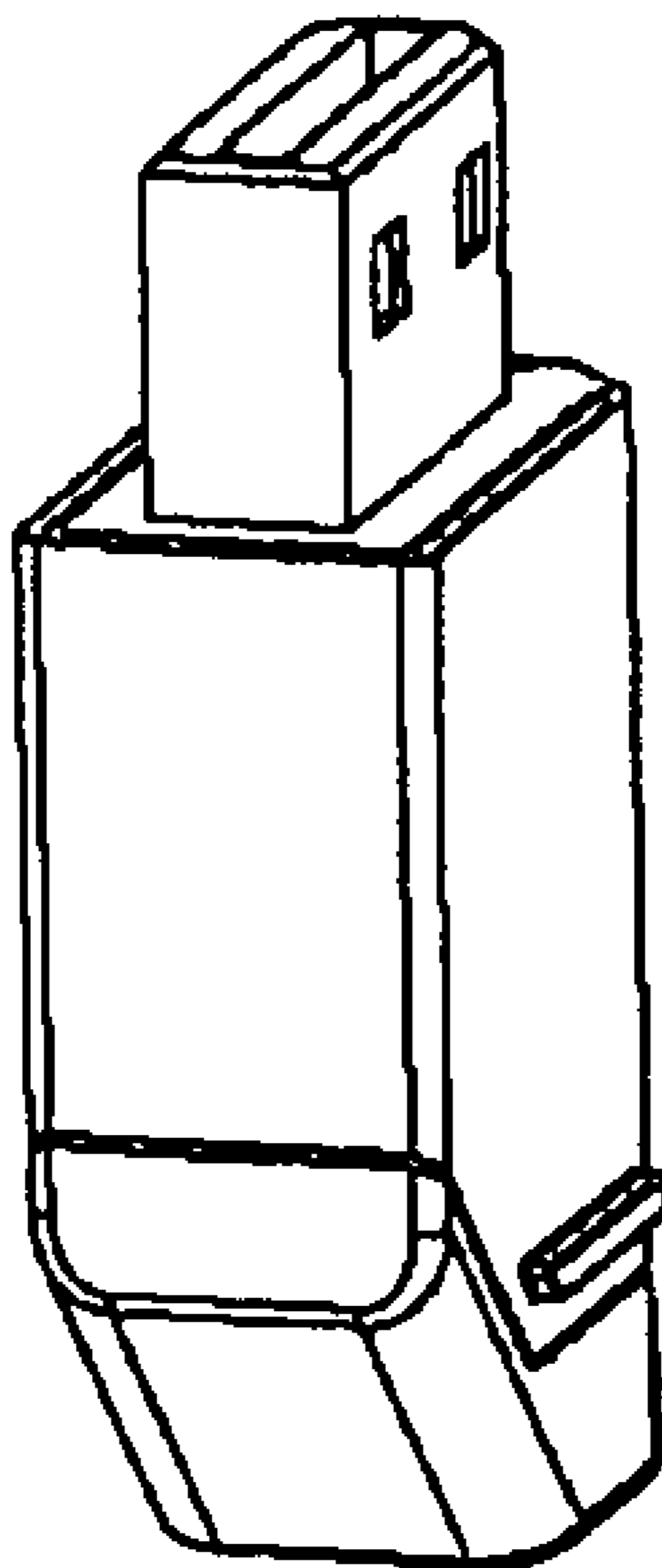
U.S. PATENT DOCUMENTS

D548,700 S *	8/2007	Ledbetter et al.	D13/154
D553,089 S *	10/2007	Victor	D13/153
D559,183 S *	1/2008	Victor	D13/153
D576,102 S *	9/2008	Zenri et al.	D13/153
D580,864 S *	11/2008	Richmond	D13/133
D584,689 S *	1/2009	Slawson et al.	D13/133

* cited by examiner

Primary Examiner—Brian N Vinson

1 Claim, 2 Drawing Sheets



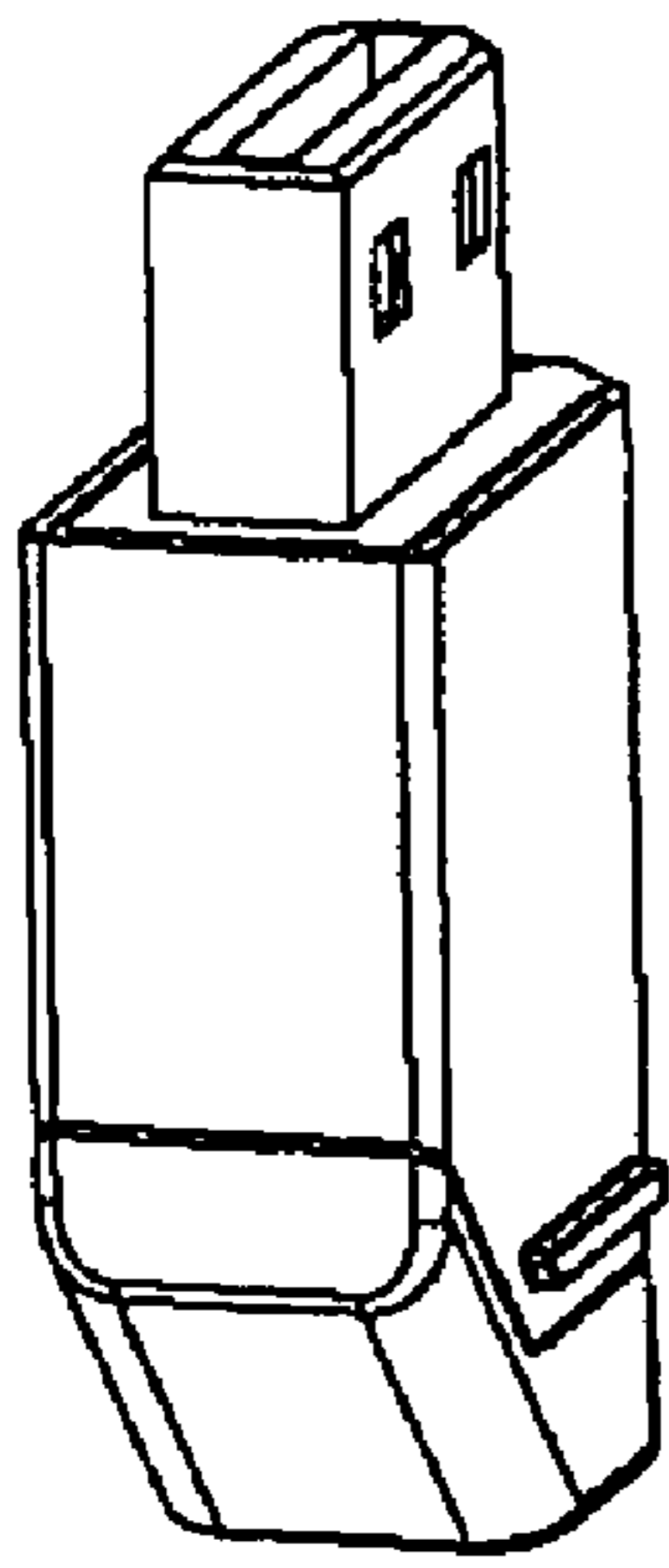


Figure 1

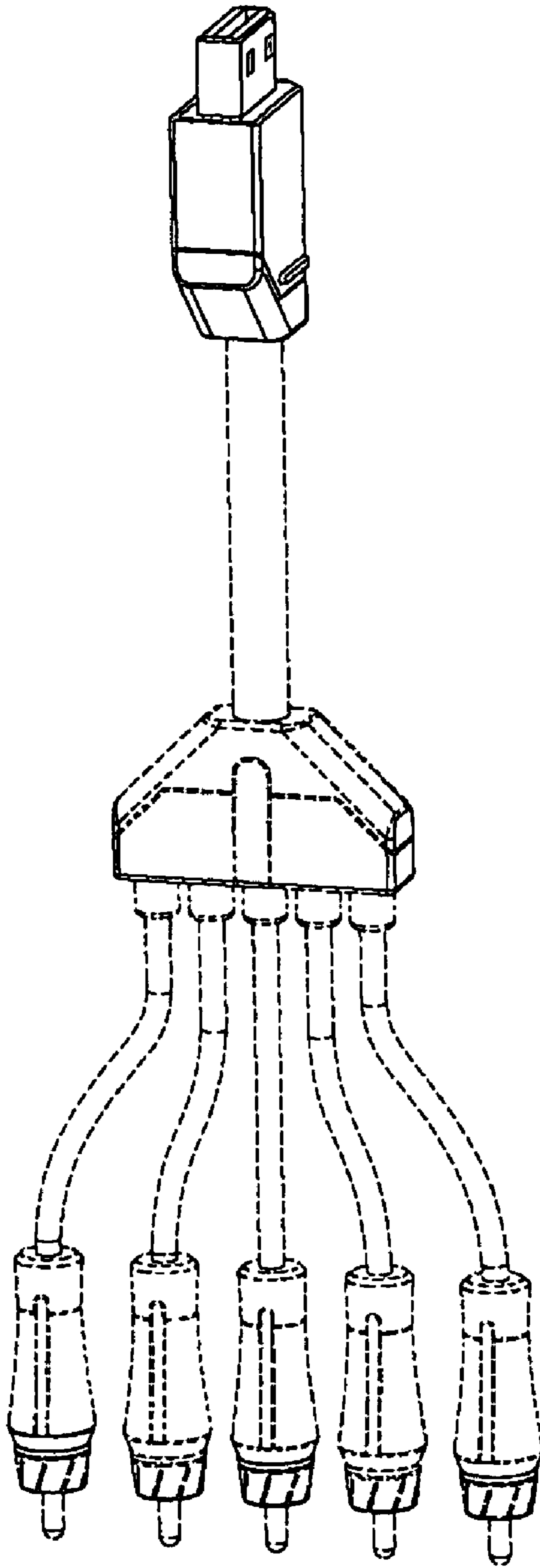


Figure 8

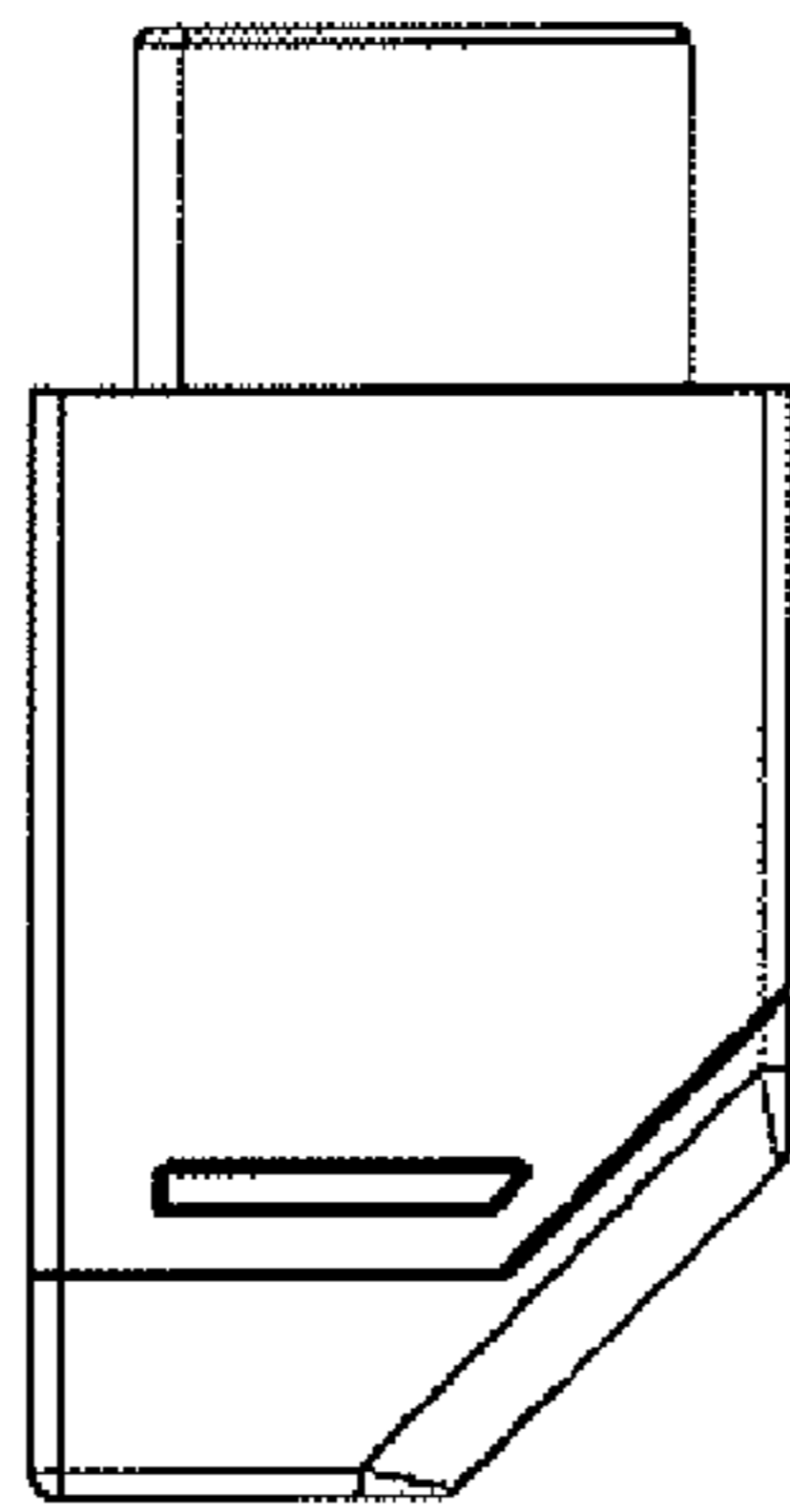


Figure 2

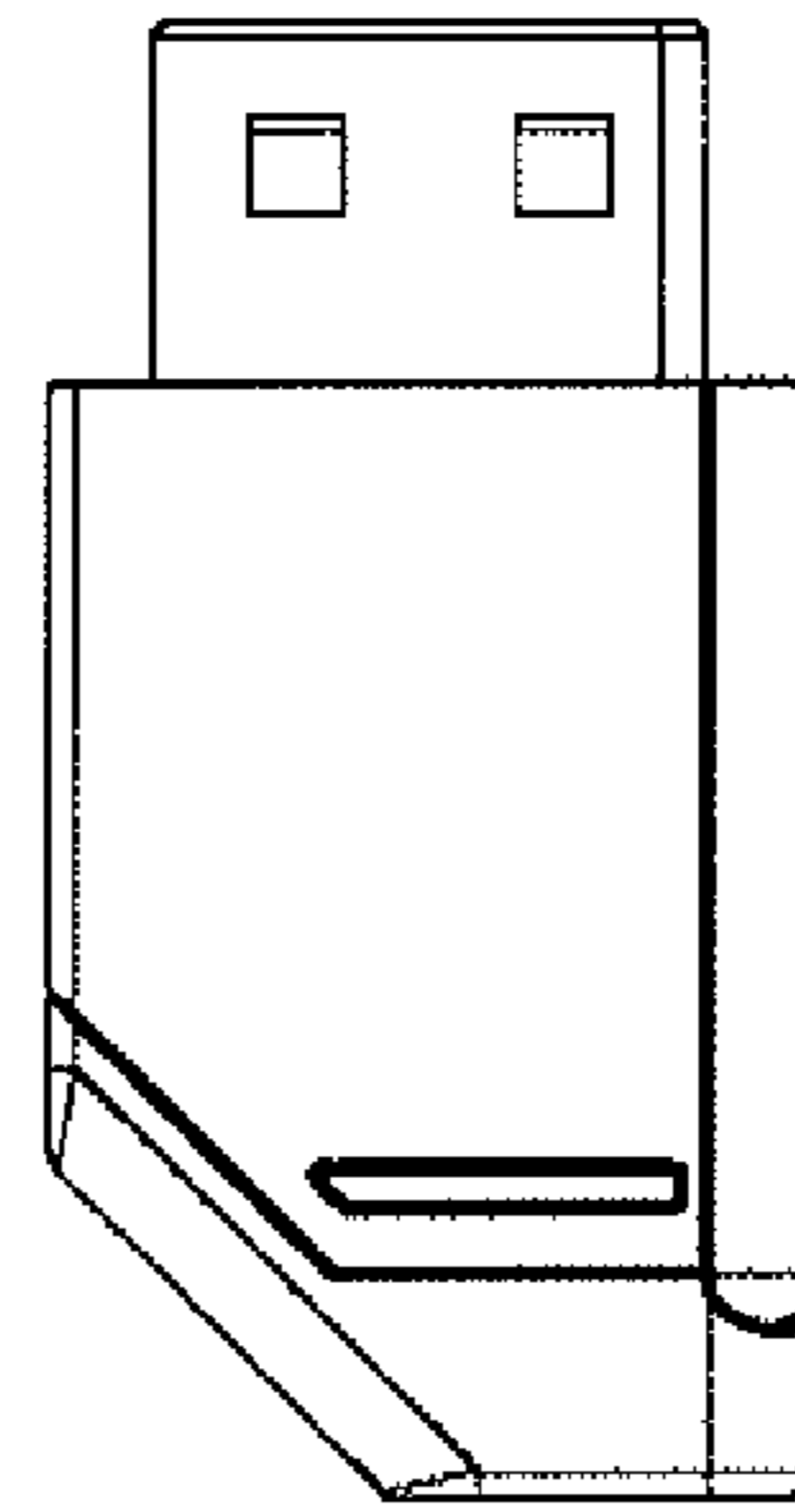


Figure 3

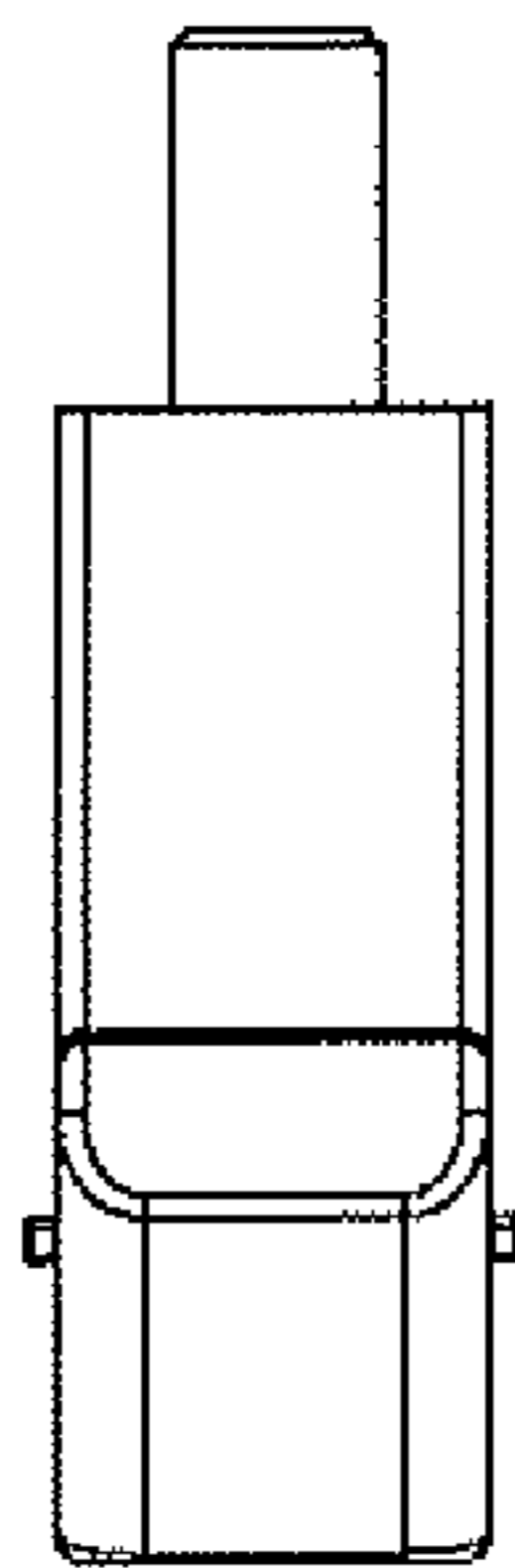


Figure 4

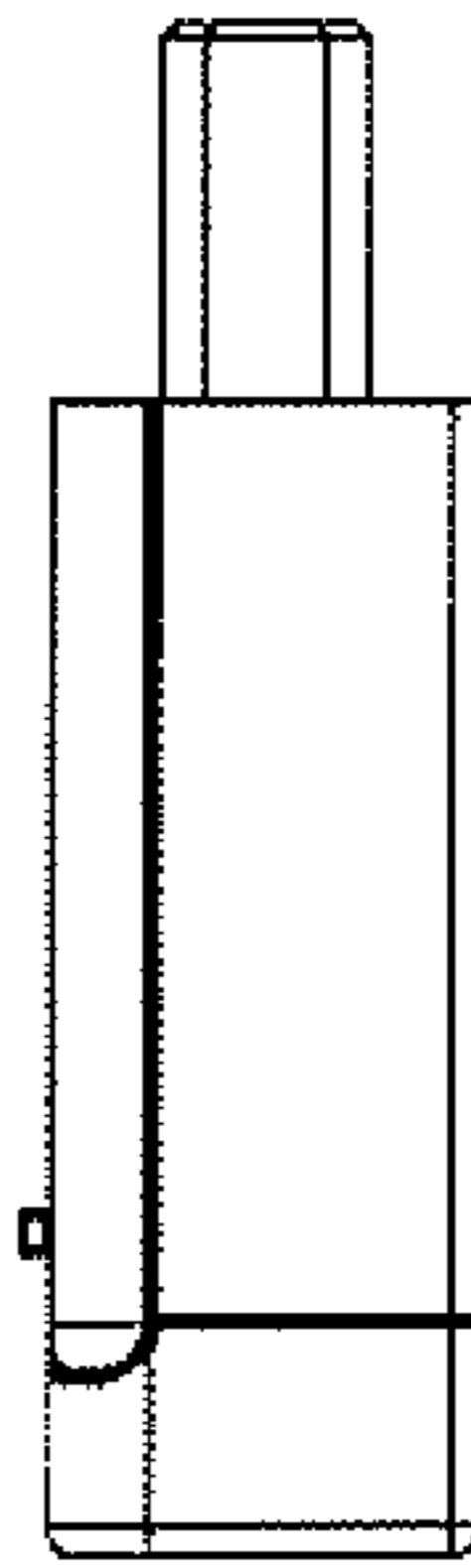


Figure 5

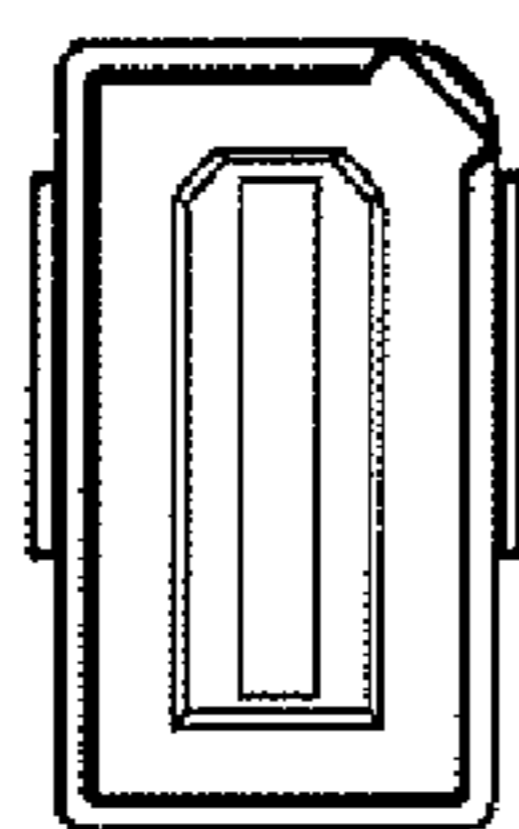


Figure 6

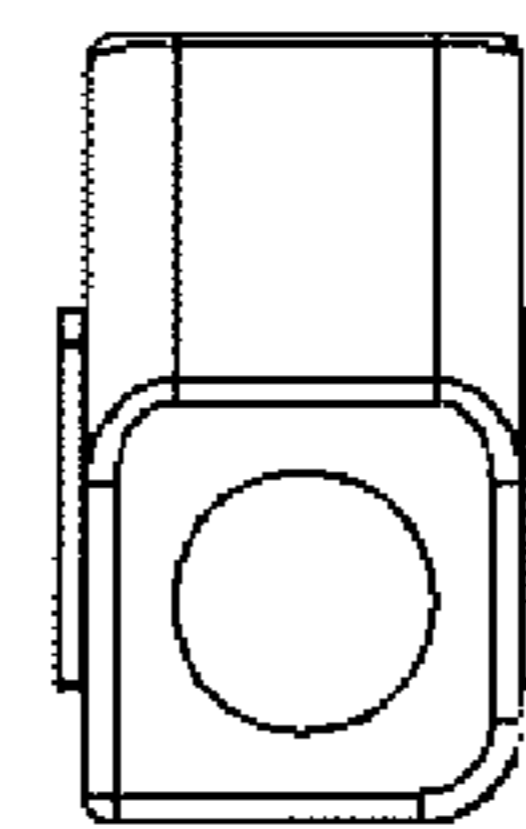


Figure 7