



US00D592145S

(12) **United States Design Patent**
Sun

(10) **Patent No.:** **US D592,145 S**

(45) **Date of Patent:** **** May 12, 2009**

(54) **USB CONNECTOR**

D538,233 S * 3/2007 Wan et al. D13/147

(75) Inventor: **Dao-Rui Sun**, Tu-Cheng (TW)

* cited by examiner

(73) Assignee: **Cheng Uei Precision Industry Co., Ltd.**, Taipei Hsien (TW)

Primary Examiner—Daniel D Bui

(74) *Attorney, Agent, or Firm*—Rosenberg, Klein & Lee

(**) Term: **14 Years**

(57) **CLAIM**

(21) Appl. No.: **29/290,959**

The ornamental design for an USB connector, as shown and described.

(22) Filed: **Feb. 4, 2008**

DESCRIPTION

(51) **LOC (9) Cl.** **13-03**

(52) **U.S. Cl.** **D13/147**

(58) **Field of Classification Search** D13/146–147,
D13/154, 184; 439/79, 108, 278, 374, 378,
439/540.1, 541.5, 607–610, 660, 682
See application file for complete search history.

FIG. 1 is a perspective view of an USB connector showing my new design;

FIG. 2 is a front elevational view thereof;

FIG. 3 is a rear elevational view thereof;

FIG. 4 is a left side elevational view thereof;

FIG. 5 is a right side elevational view thereof;

FIG. 6 is a top plan view thereof; and,

FIG. 7 is a bottom plan view thereof.

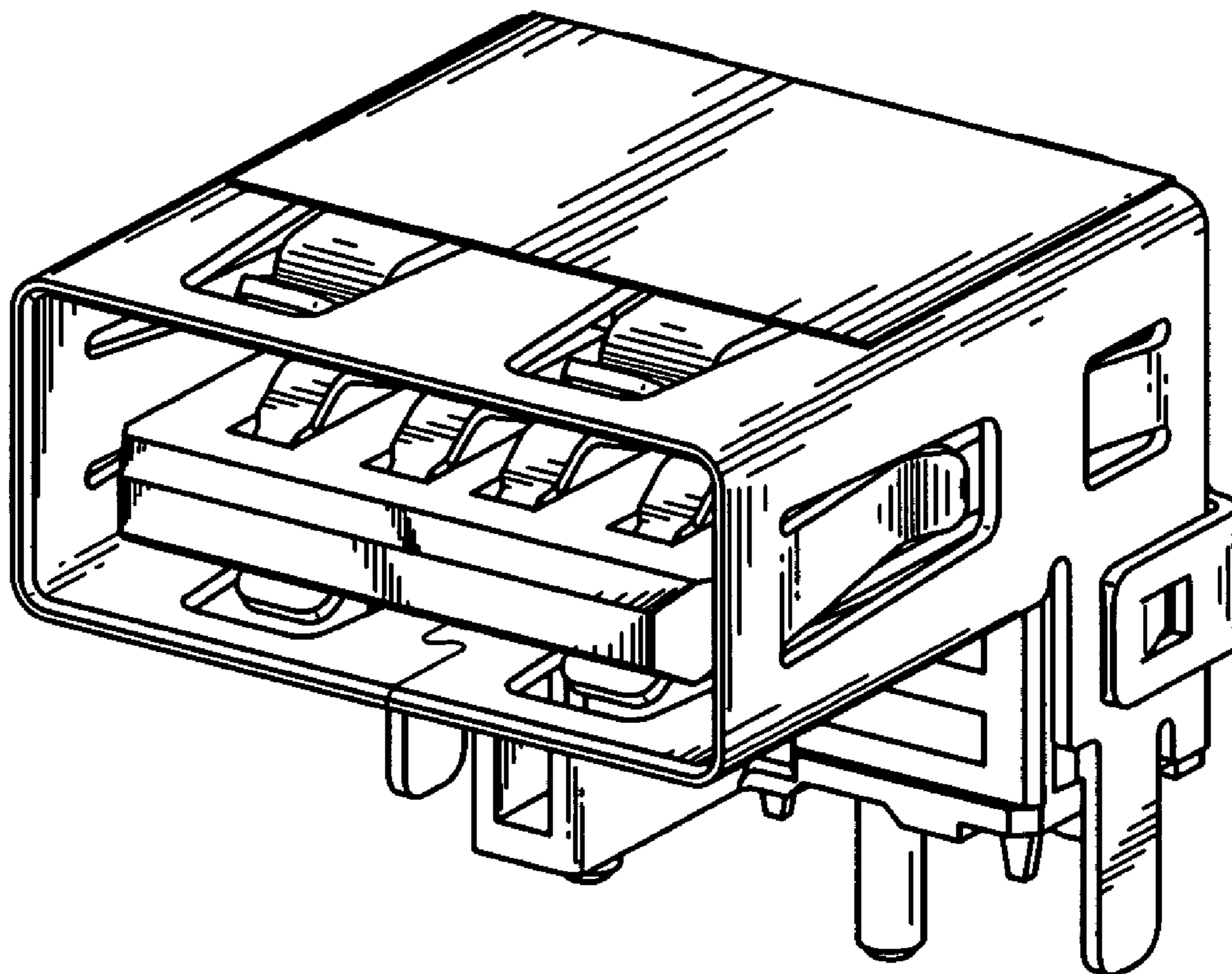
(56) **References Cited**

U.S. PATENT DOCUMENTS

| | | | |
|--------------|---------|-----------------------|---------|
| D465,767 S * | 11/2002 | Zhu et al. | D13/147 |
| D508,679 S * | 8/2005 | Li et al. | D13/147 |
| D522,968 S * | 6/2006 | Hu et al. | D13/147 |
| D522,971 S * | 6/2006 | Shang-Yen et al. | D13/147 |
| D537,786 S * | 3/2007 | Li | D13/147 |
| D537,790 S * | 3/2007 | Chen | D13/147 |

The broken line portion of the figure drawings is included to show unclaimed subject matter only and forms no part of the claimed design.

1 Claim, 7 Drawing Sheets



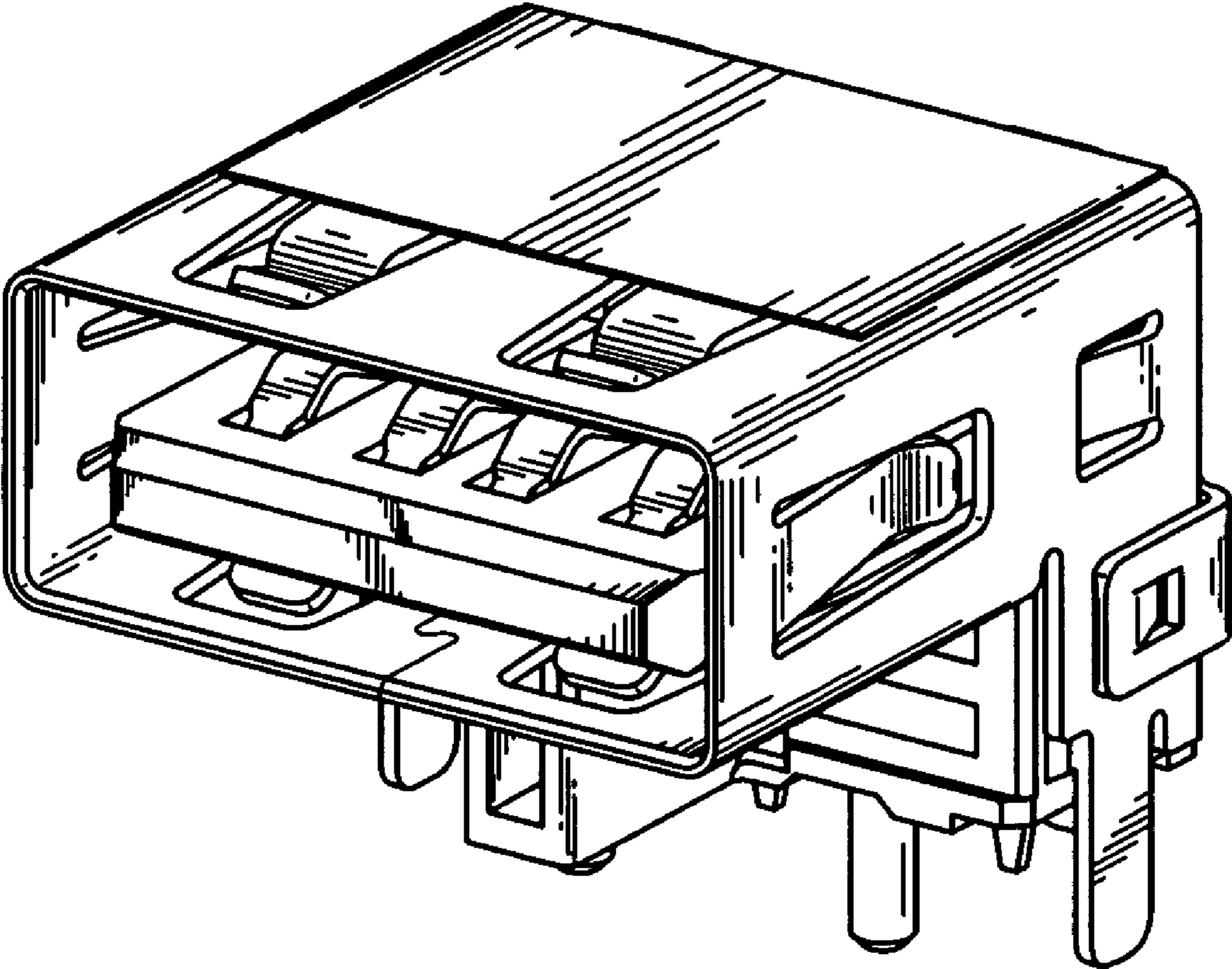


FIG. 1

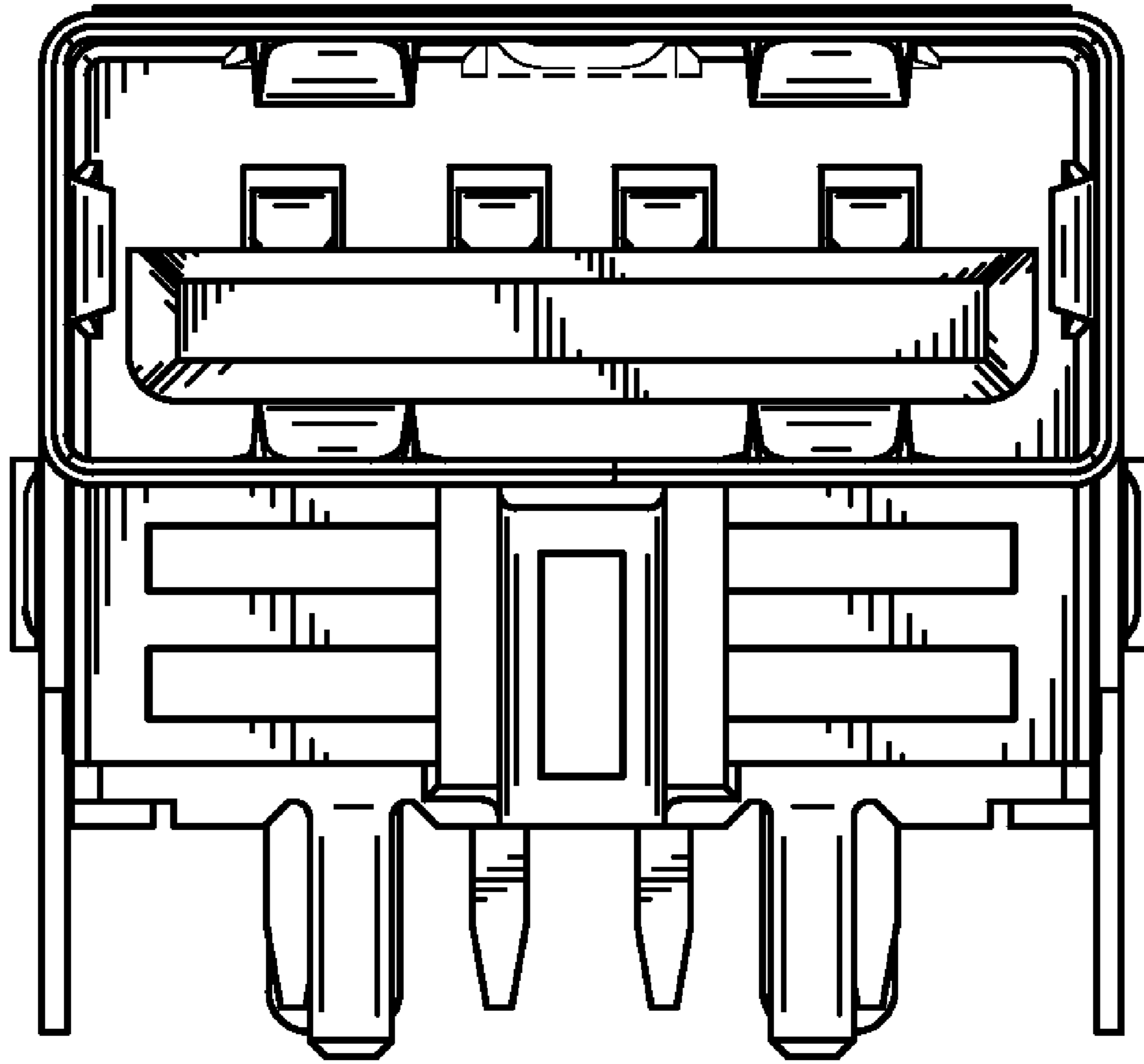


FIG. 2

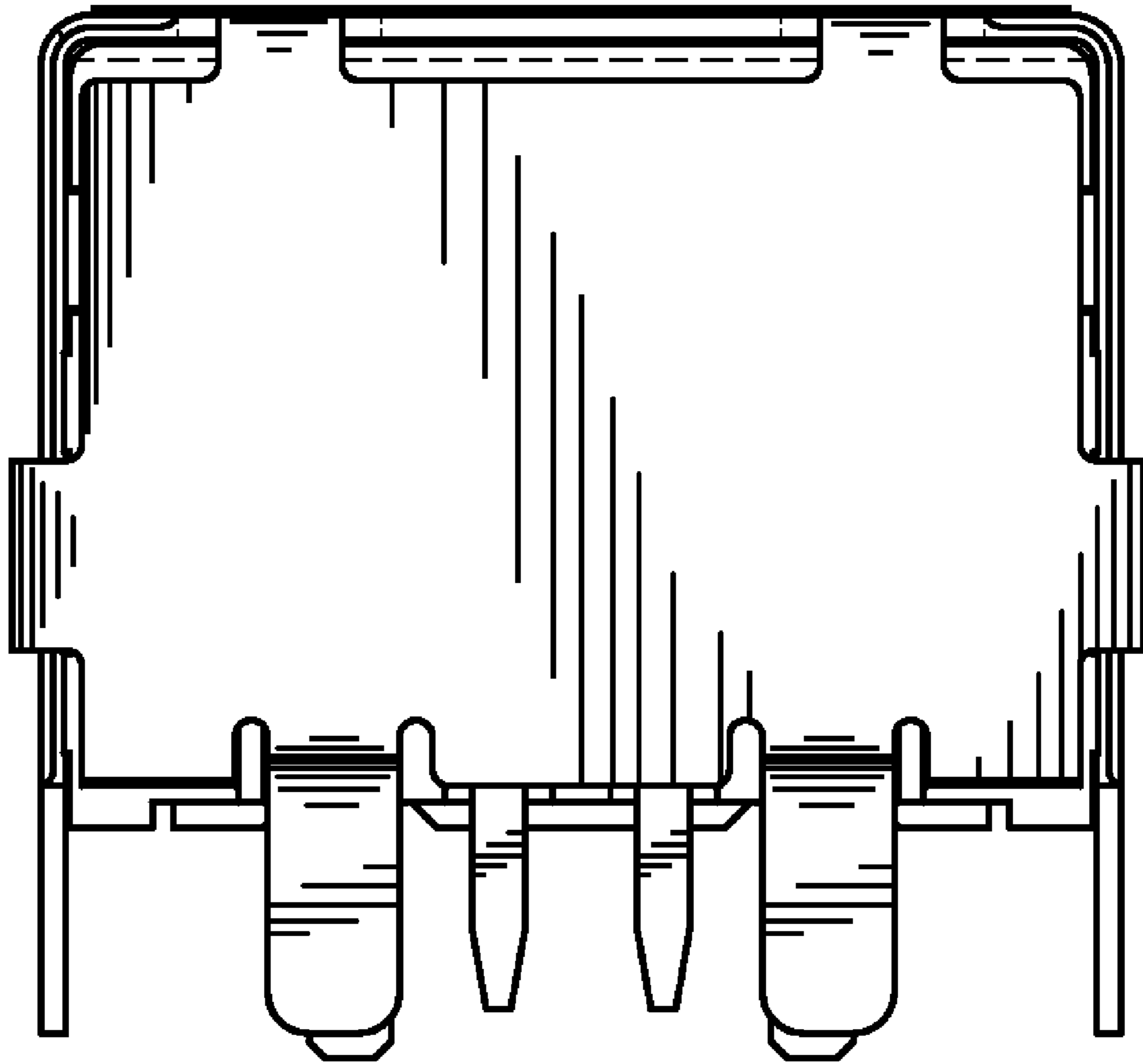


FIG. 3

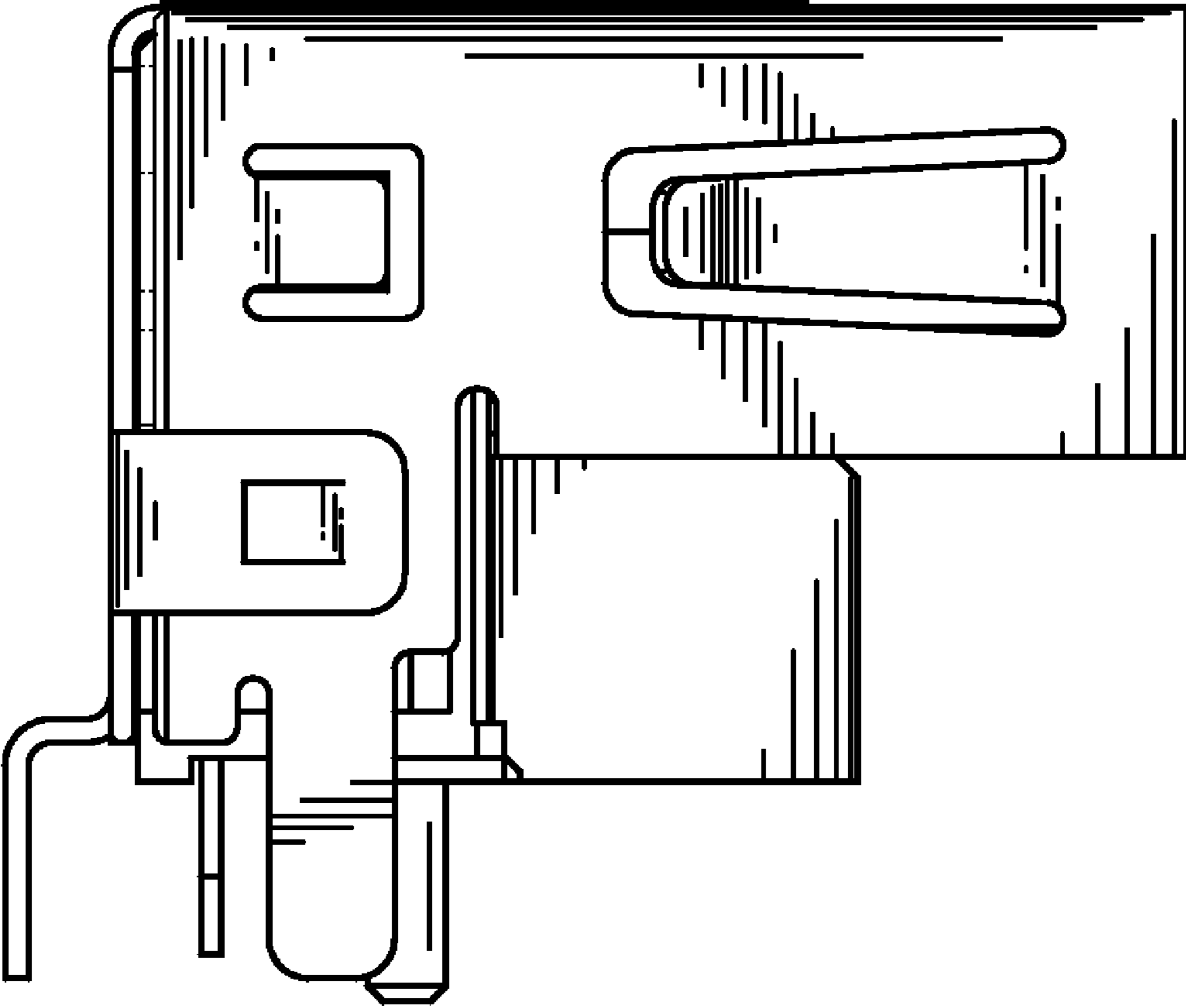


FIG. 4

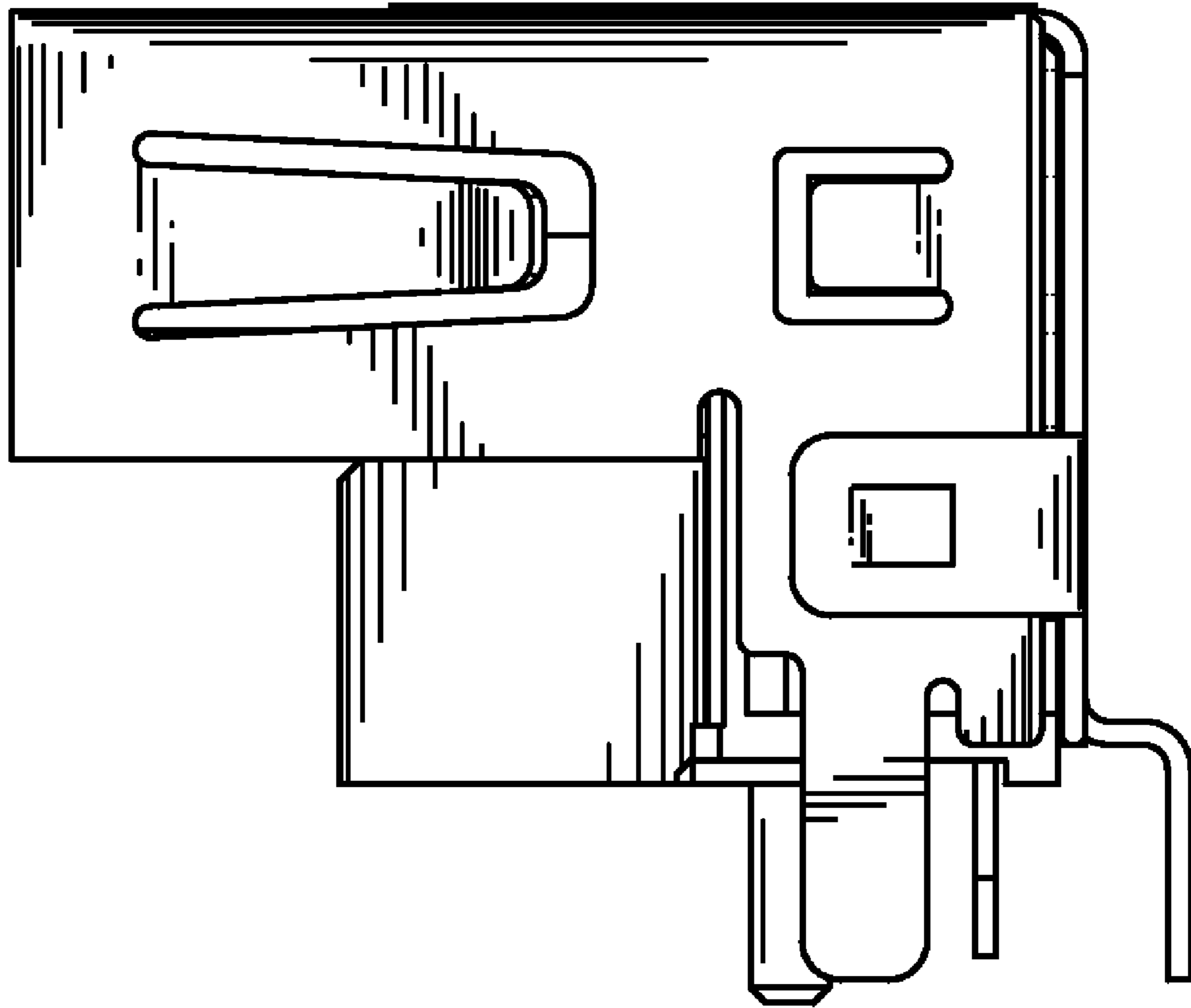


FIG. 5

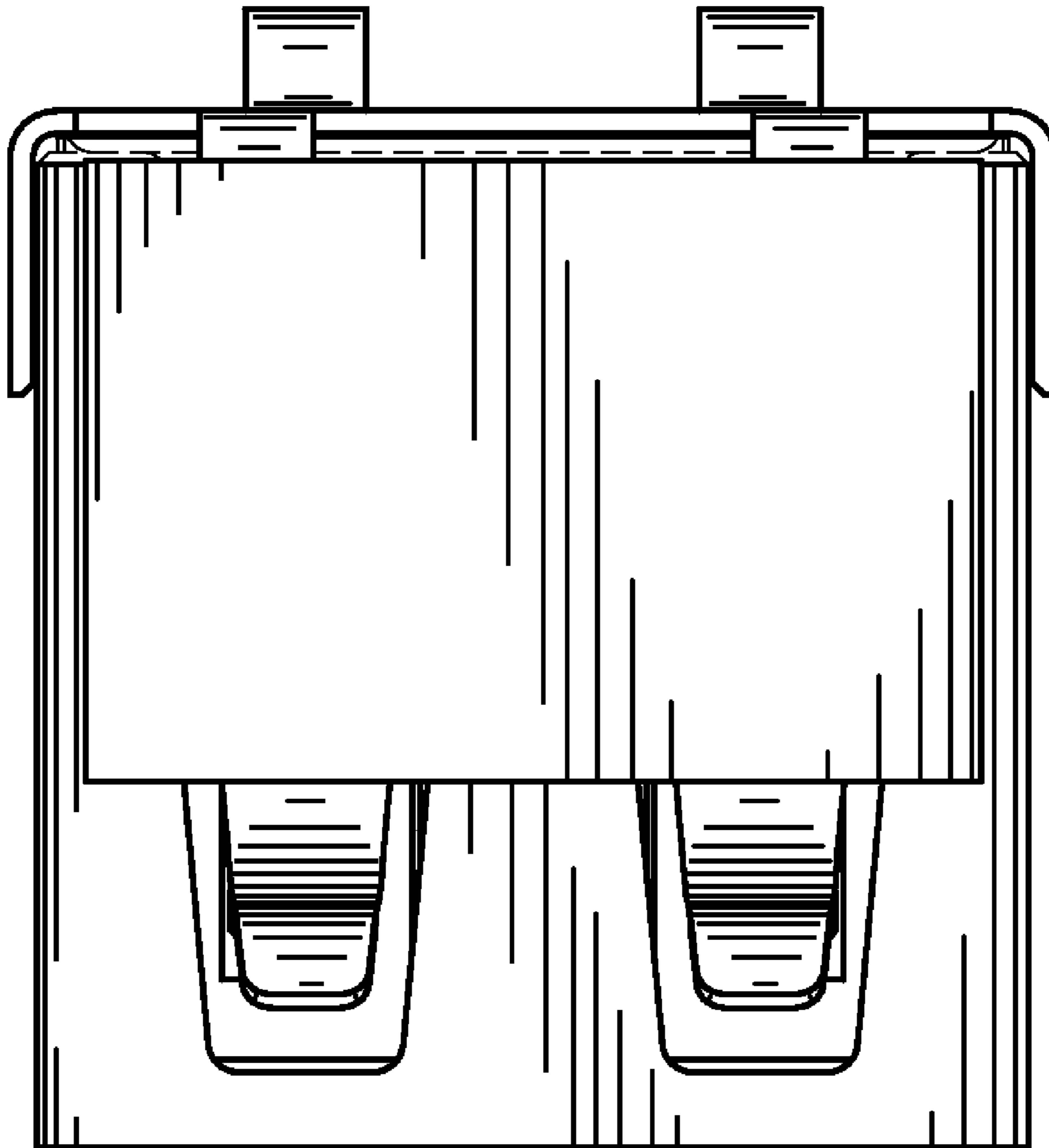


FIG. 6

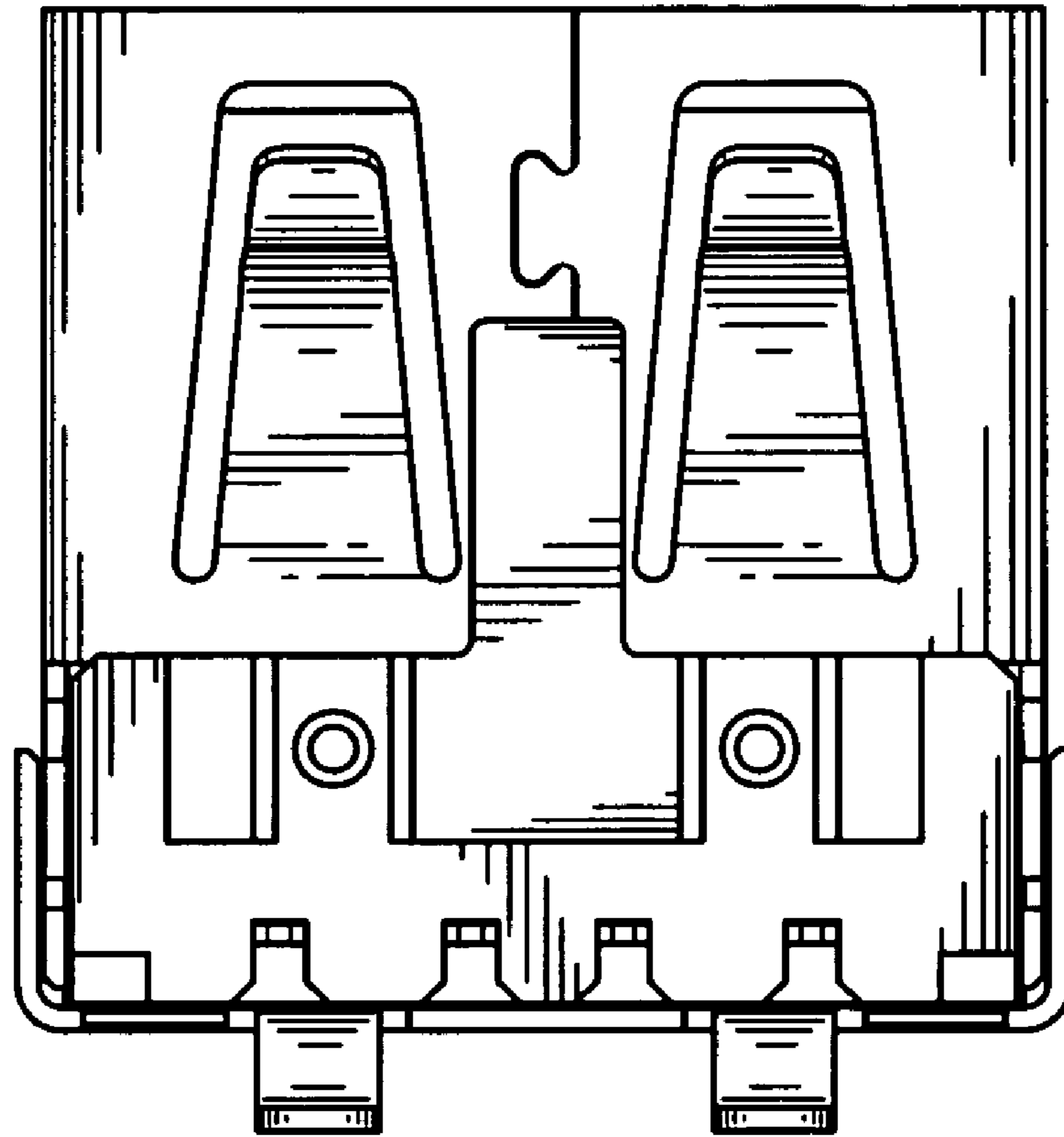


FIG. 7