



US00D592144S

(12) **United States Design Patent**
Lai et al.

(10) **Patent No.:** **US D592,144 S**
(45) **Date of Patent:** **** May 12, 2009**

(54) **TERMINAL OF CONNECTOR**

(75) Inventors: **Ming-Chun Lai**, Tu-Cheng (TW); **Yu Li**, Tu-Cheng (TW)

(73) Assignee: **Cheng Uei Precision Industry Co., Ltd.**, Taipei Hsien (TW)

(**) Term: **14 Years**

(21) Appl. No.: **29/287,913**

(22) Filed: **Oct. 2, 2007**

(51) **LOC (9) Cl.** **13-03**

(52) **U.S. Cl.** **D13/147**

(58) **Field of Classification Search** D13/146-147,
D13/154, 184; 439/79, 108, 607-610, 660,
439/668, 680

See application file for complete search history.

(56) **References Cited**

U.S. PATENT DOCUMENTS

D301,870 S *	6/1989	Shibano	D13/147
D408,788 S *	4/1999	Homma	D13/147
D416,863 S *	11/1999	Sato et al.	D13/147
D418,479 S *	1/2000	Chiou	D13/147
D555,103 S *	11/2007	Iino et al.	D13/147

D560,612 S * 1/2008 Arai et al. D13/147

* cited by examiner

Primary Examiner—Daniel D Bui

(74) *Attorney, Agent, or Firm*—Rosenberg, Klein & Lee

(57) **CLAIM**

The ornamental design for a terminal of connector, as shown and described.

DESCRIPTION

FIG. 1 is a perspective view of a terminal of connector showing our new design;

FIG. 2 is a front elevational view thereof;

FIG. 3 is a rear elevational view thereof;

FIG. 4 is a left side elevational view thereof;

FIG. 5 is a right side elevational view thereof;

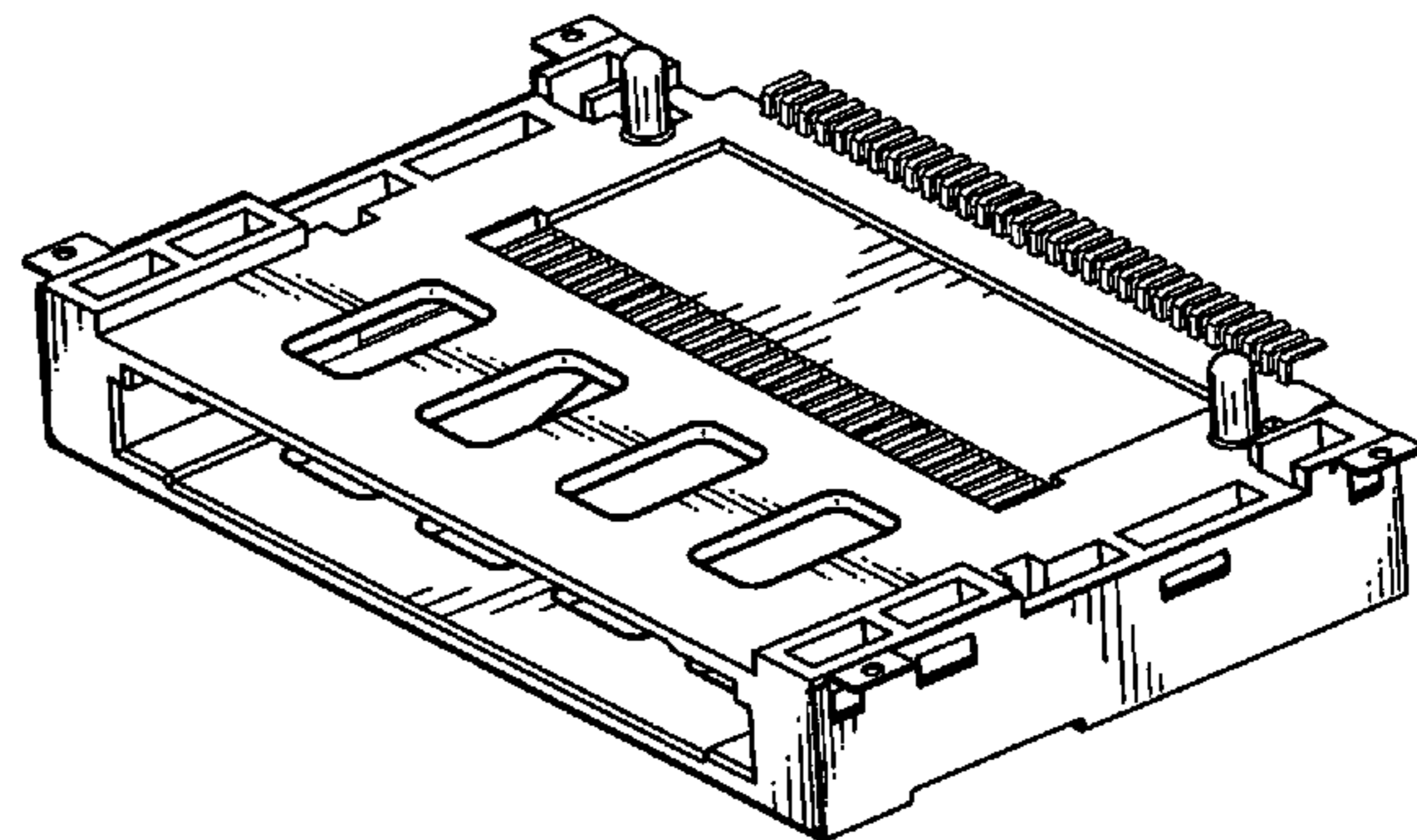
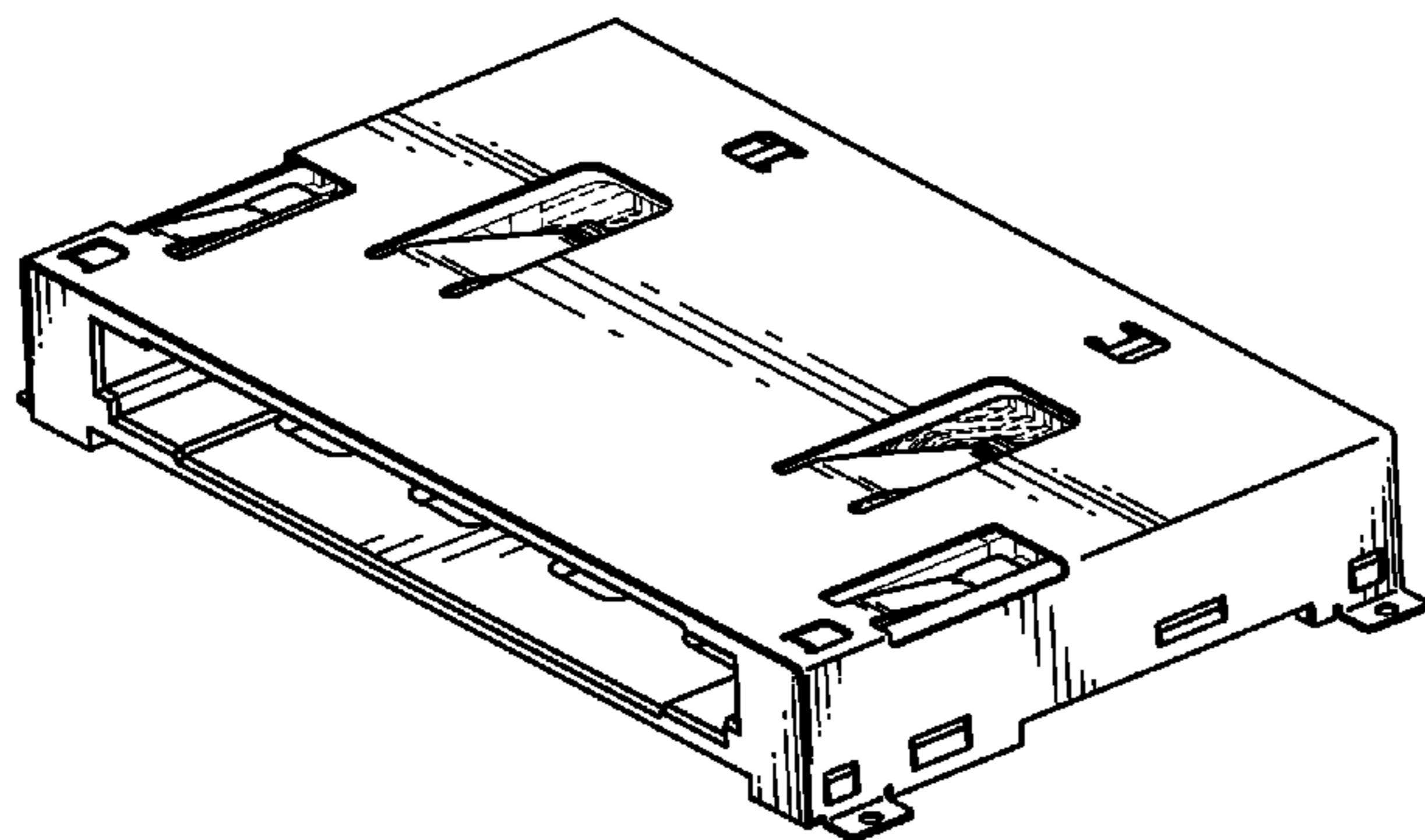
FIG. 6 is a top plan view thereof;

FIG. 7 is a bottom plan view thereof; and,

FIG. 8 is another perspective view thereof.

The broken line portion of the figure drawings is included to show unclaimed subject matter only and forms no part of the claimed design.

1 Claim, 8 Drawing Sheets



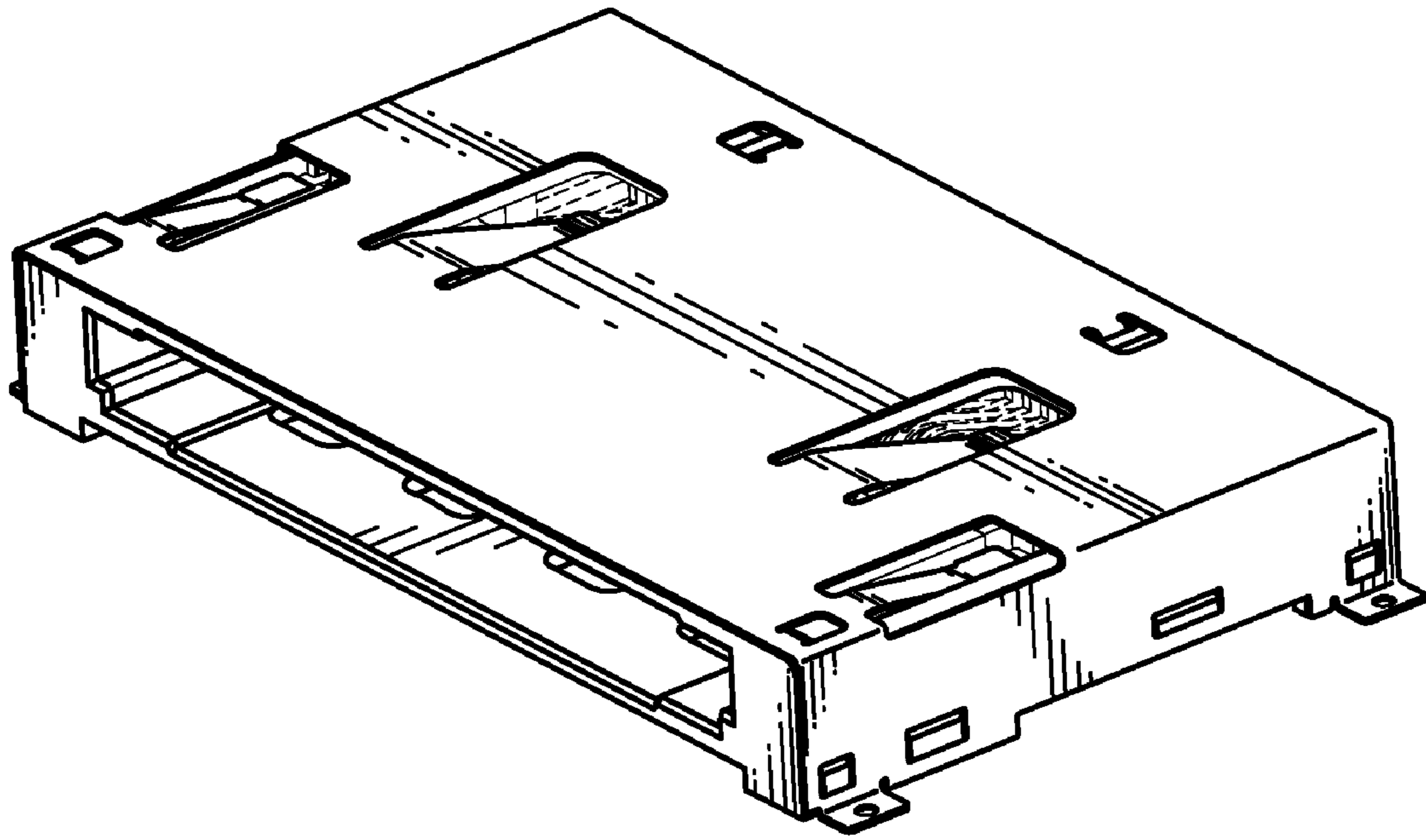


FIG. 1

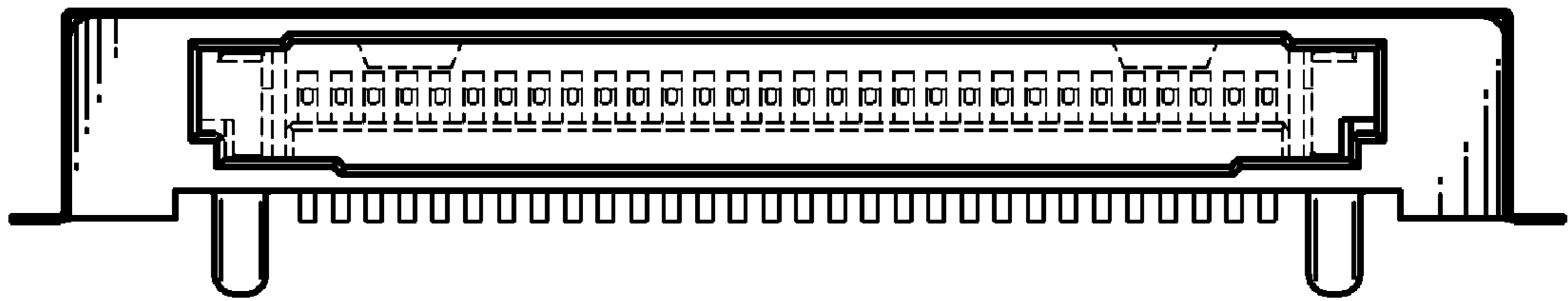


FIG. 2

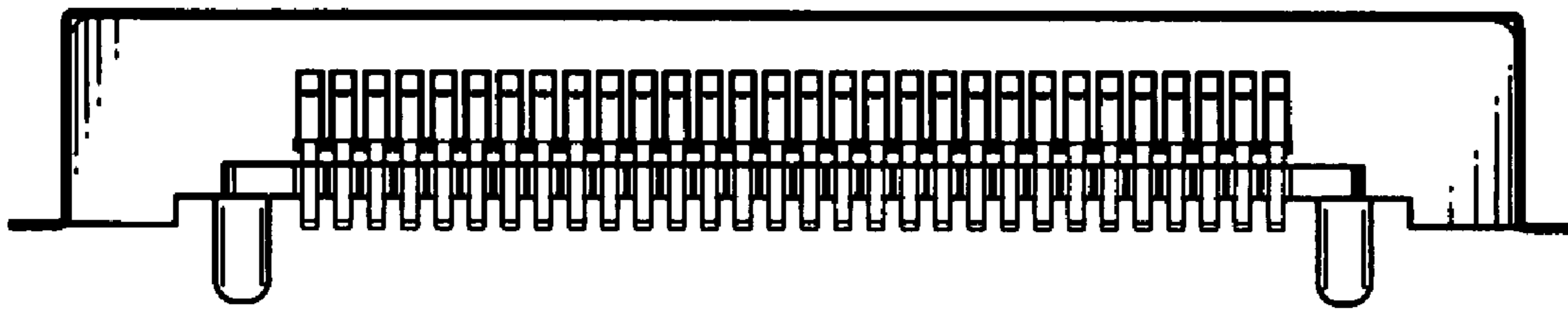


FIG. 3

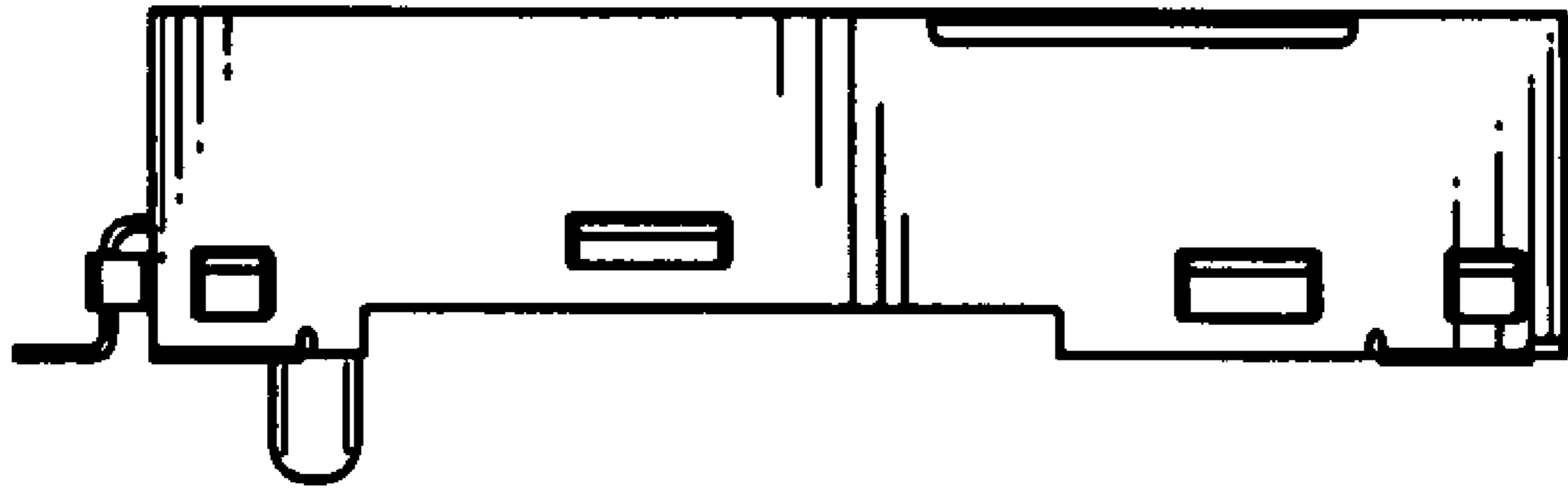


FIG. 4



FIG. 5

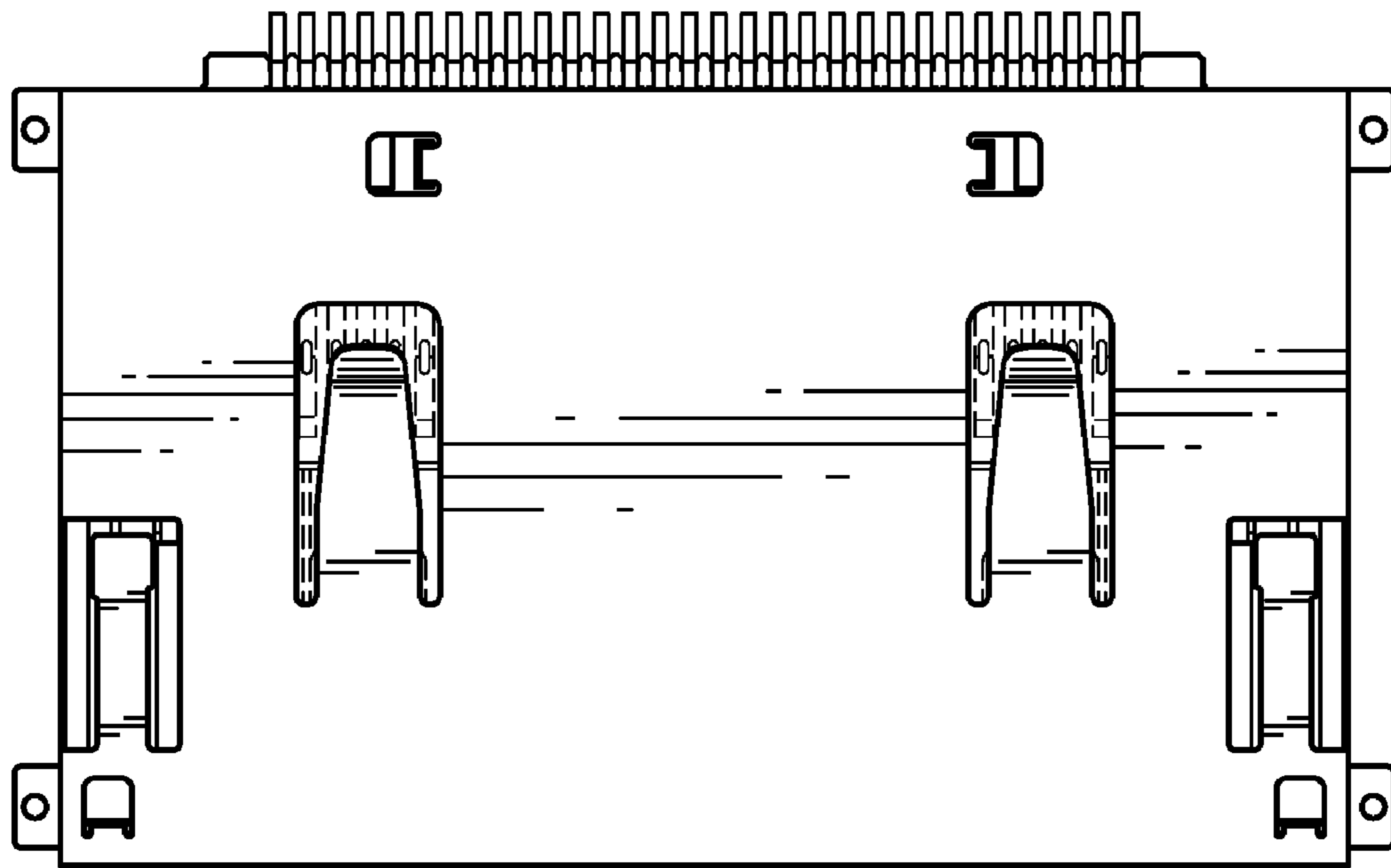


FIG. 6

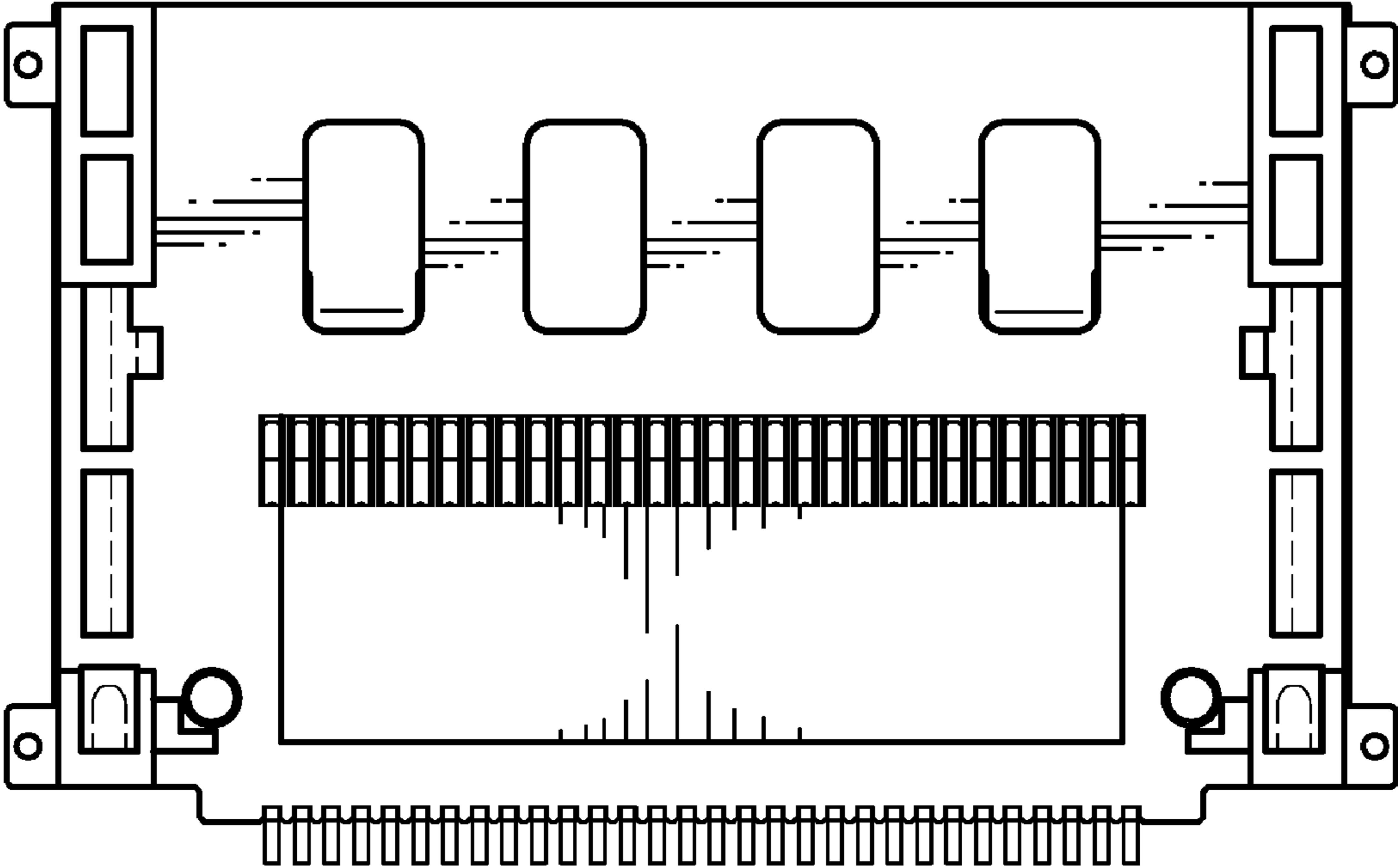


FIG. 7

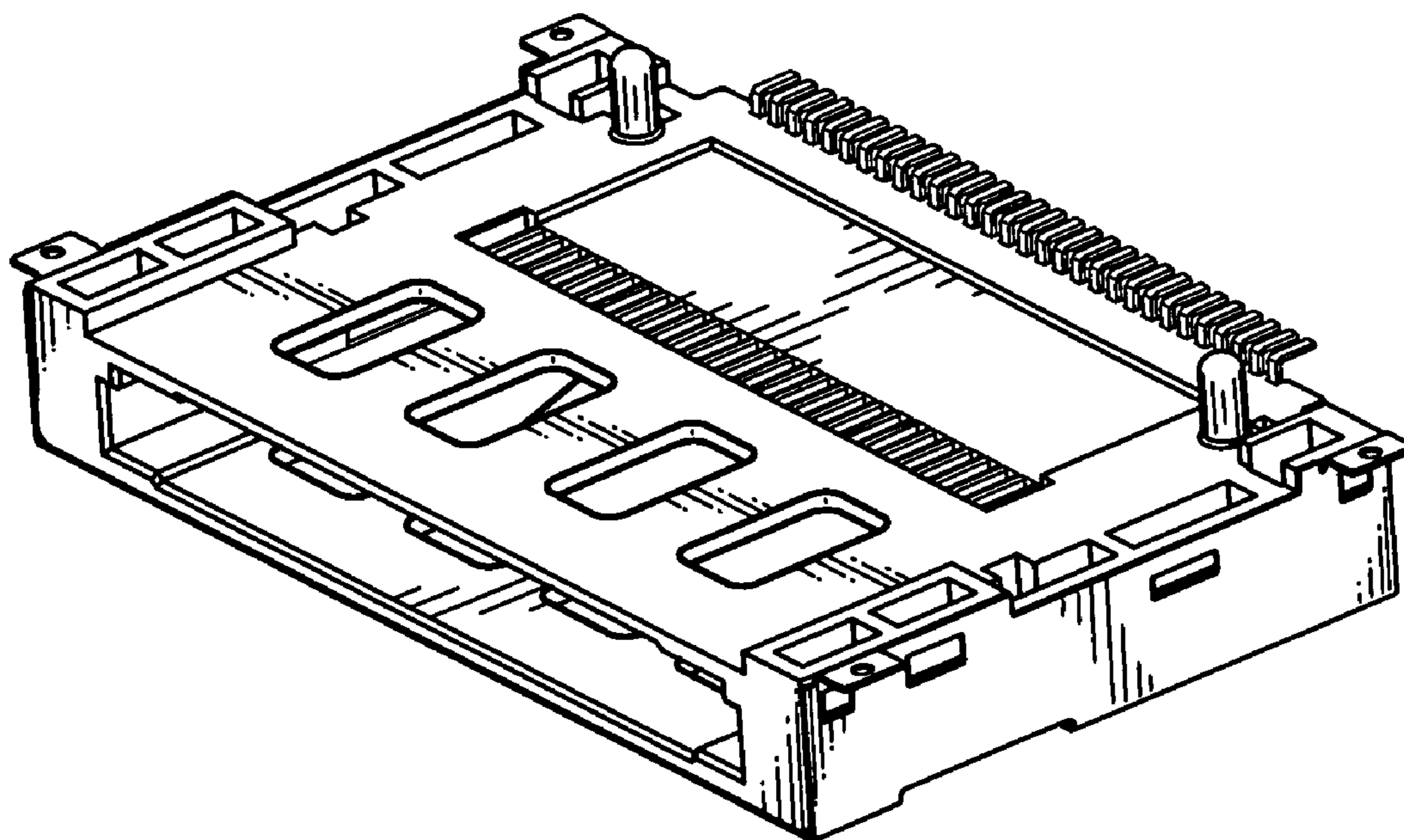


FIG. 8