

US00D592143S

(12) **United States Design Patent**  
**Ho et al.**

(10) **Patent No.:** **US D592,143 S**

(45) **Date of Patent:** **\*\* May 12, 2009**

(54) **USB CONNECTOR**

(75) Inventors: **Hsin Tsung Ho**, Tu-Cheng (TW); **Shu Man Chiang**, Tu-Cheng (TW); **Chung Hsin Huang**, Tu-Cheng (TW); **Mei Chuan Yuan**, Tu-Cheng (TW)

(73) Assignee: **Cheng Uei Precision Industry Co., Ltd.**, Taipei Hsien (TW)

(\*\*) Term: **14 Years**

(21) Appl. No.: **29/287,218**

(22) Filed: **Jul. 10, 2007**

(51) **LOC (9) Cl.** ..... **13-03**

(52) **U.S. Cl.** ..... **D13/147**

(58) **Field of Classification Search** ..... D13/133,  
D13/146-147, 154, 184; D14/432, 433,  
D14/435, 438; 439/79, 108, 350, 357-358,  
439/447, 578, 606-610, 677, 680, 682, 686  
See application file for complete search history.

(56) **References Cited**

**U.S. PATENT DOCUMENTS**

D500,737 S *	1/2005	Shao	.....	D13/147
D503,683 S *	4/2005	Wang	.....	D13/147
D551,627 S *	9/2007	Chang et al.	.....	D13/147
D563,875 S *	3/2008	Chang et al.	.....	D13/147

2005/0255752 A1\* 11/2005 Huang ..... 439/607  
2008/0090457 A1\* 4/2008 Takeuchi ..... 439/607

\* cited by examiner

*Primary Examiner*—Daniel D Bui

(74) *Attorney, Agent, or Firm*—Rosenberg, Klein & Lee

(57) **CLAIM**

The ornamental design for a USB connector, as shown and described.

**DESCRIPTION**

FIG. 1 is a front, top and right side perspective view of a USB connector showing our new design;

FIG. 2 is a front elevational view thereof;

FIG. 3 is a rear elevational view thereof;

FIG. 4 is a left side elevational view thereof;

FIG. 5 is a right side elevational view thereof;

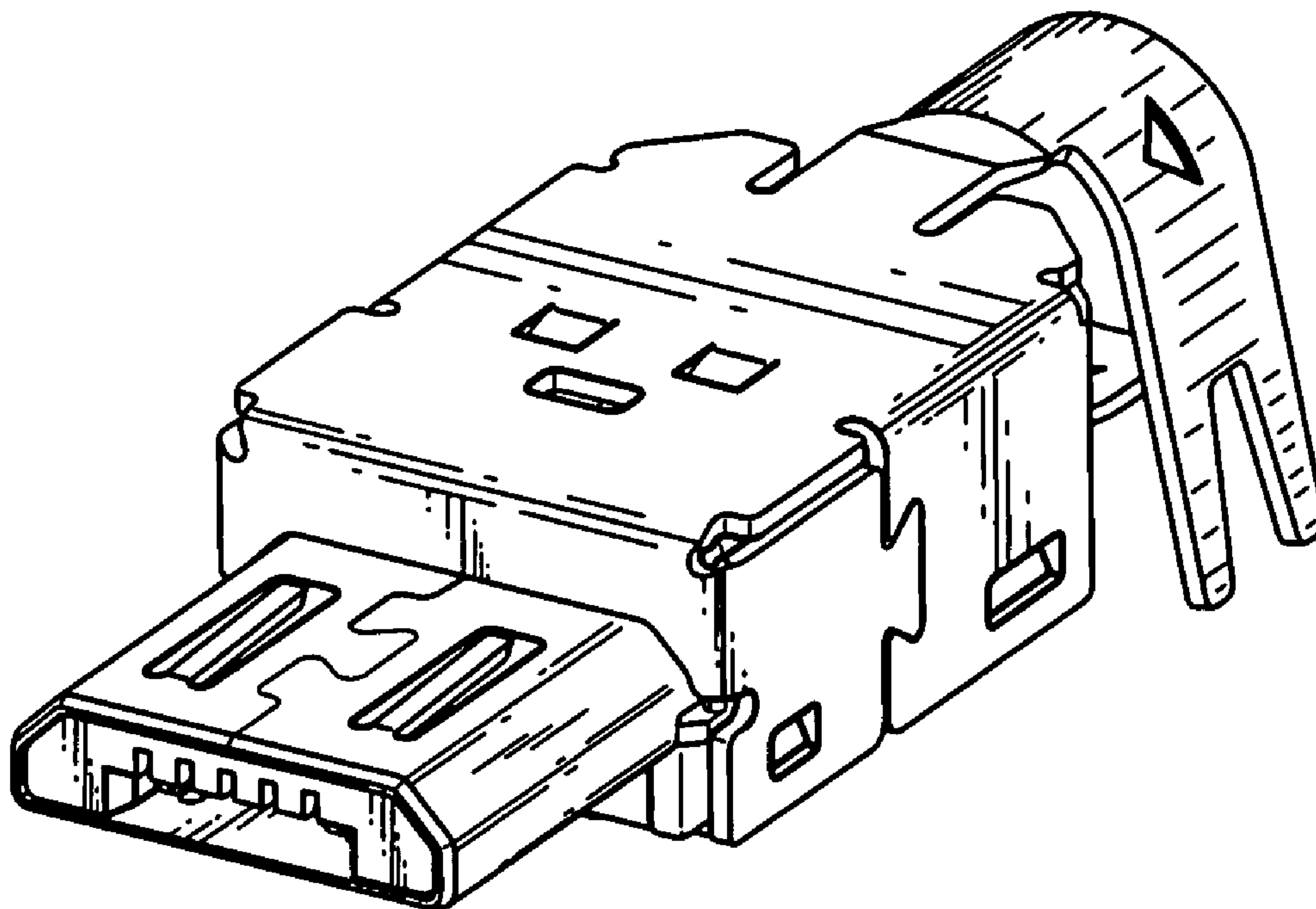
FIG. 6 is a top plan view thereof;

FIG. 7 is a bottom plan view thereof; and,

FIG. 8 is a front, bottom and right side perspective view thereof.

The broken line depicts internal elements of the USB connector shown in FIGS. 3 and 6 is unclaimed subject matter and forms no part of the claimed design.

**1 Claim, 8 Drawing Sheets**



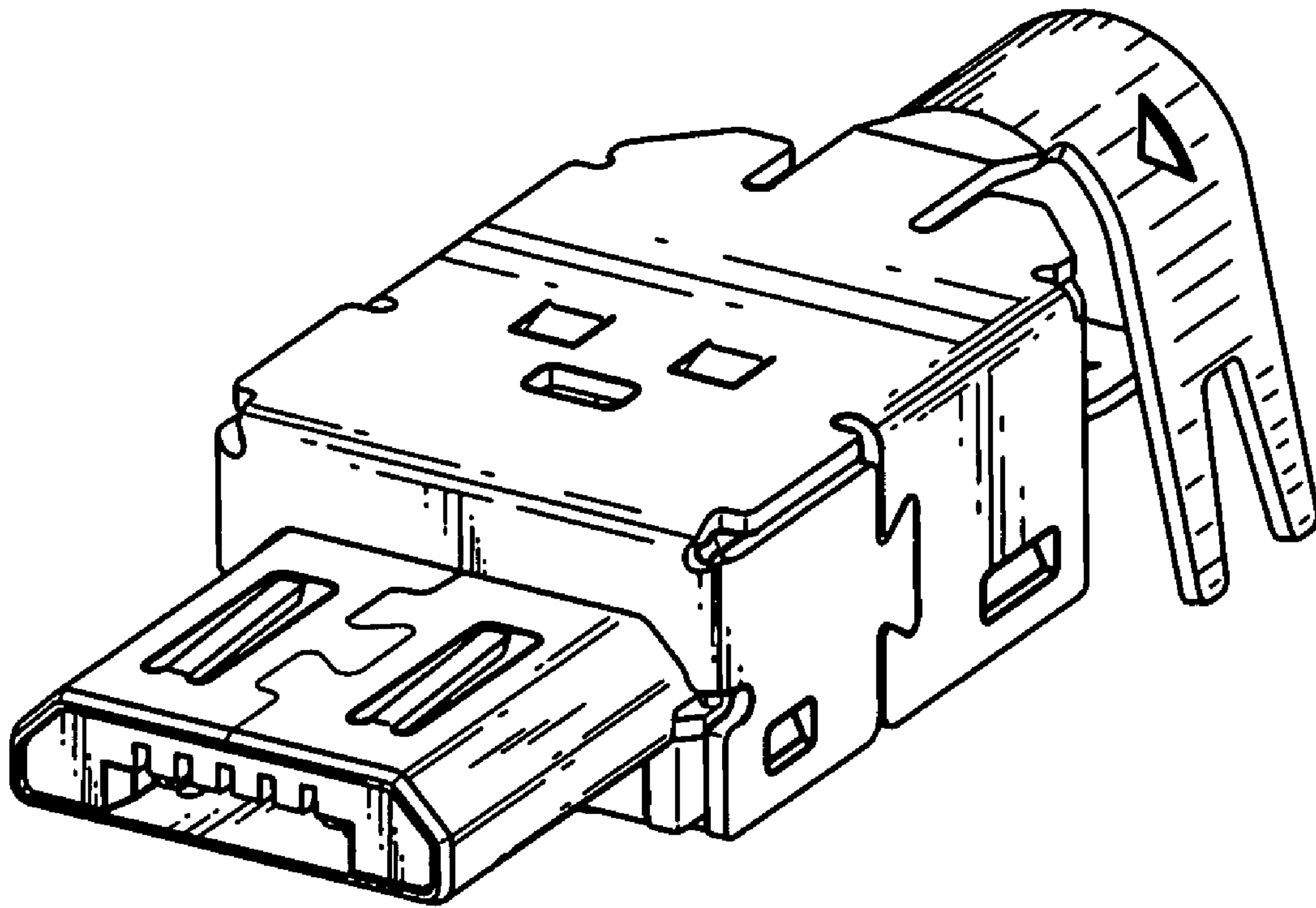


FIG. 1

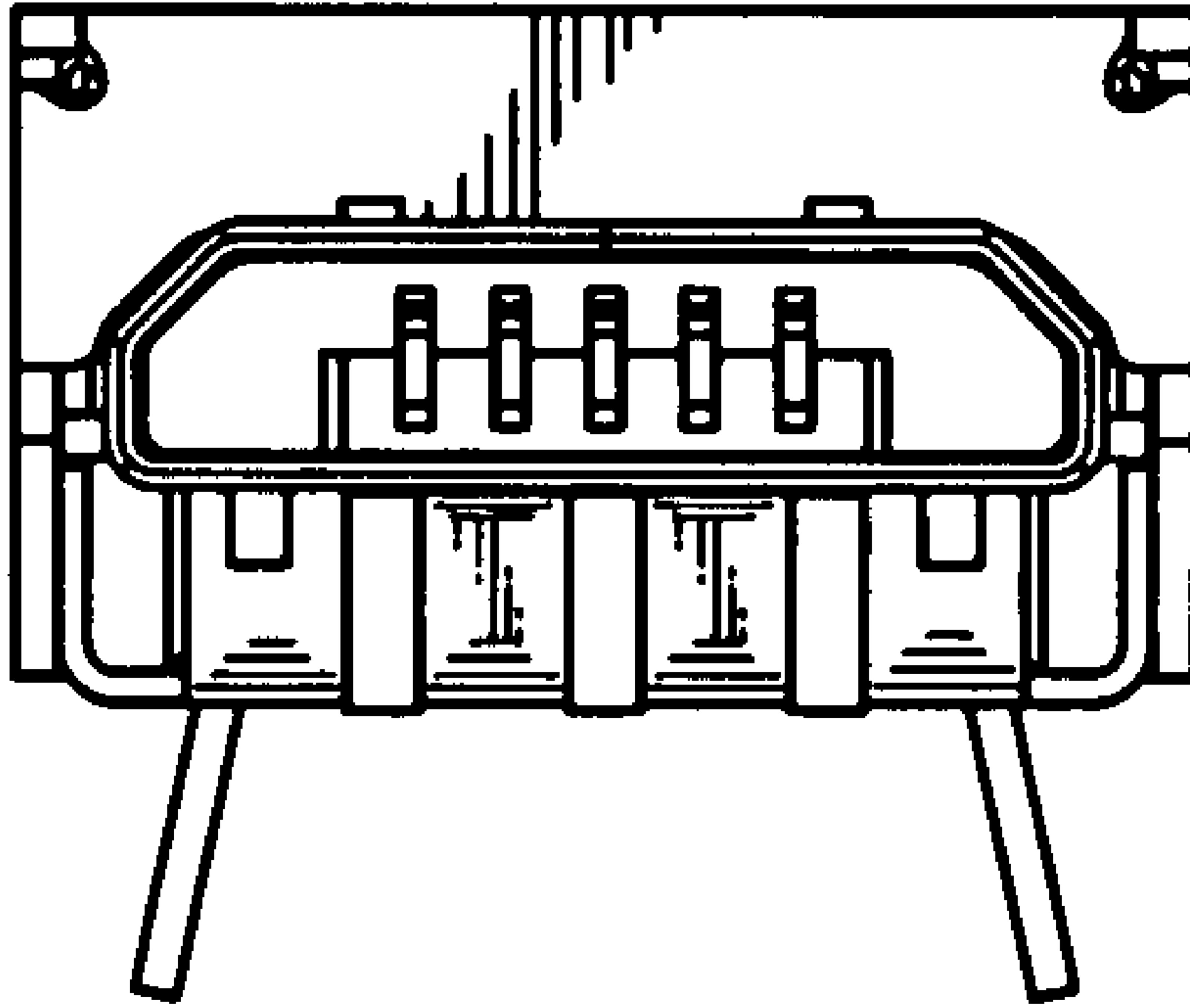


FIG. 2

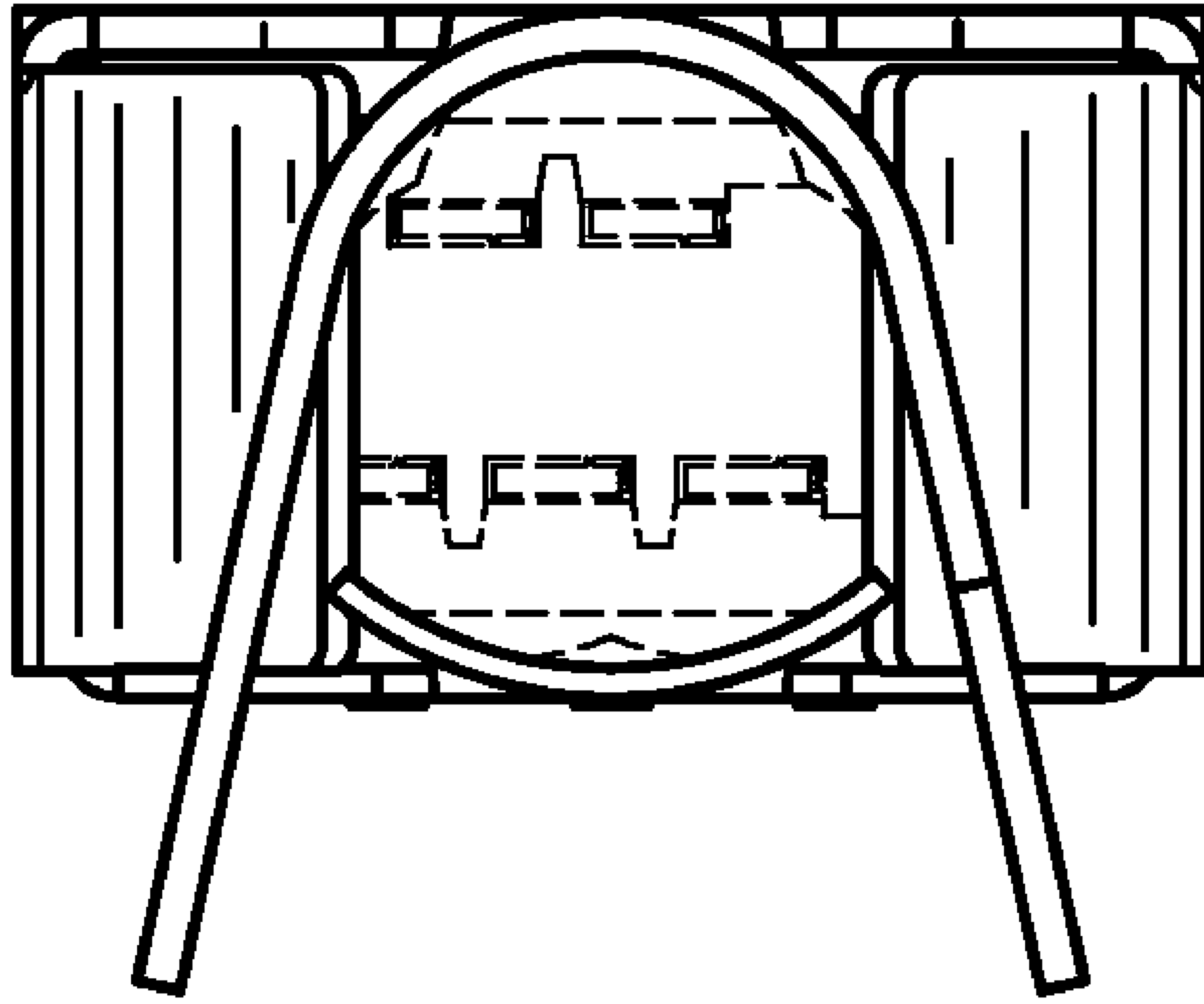


FIG. 3

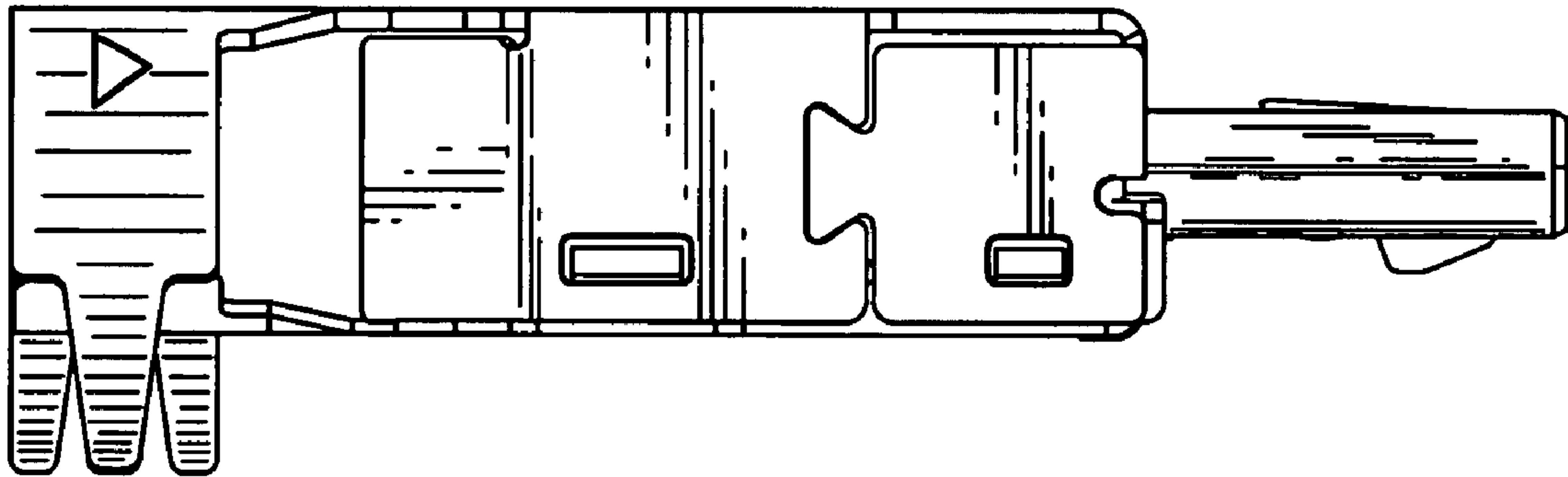


FIG. 4

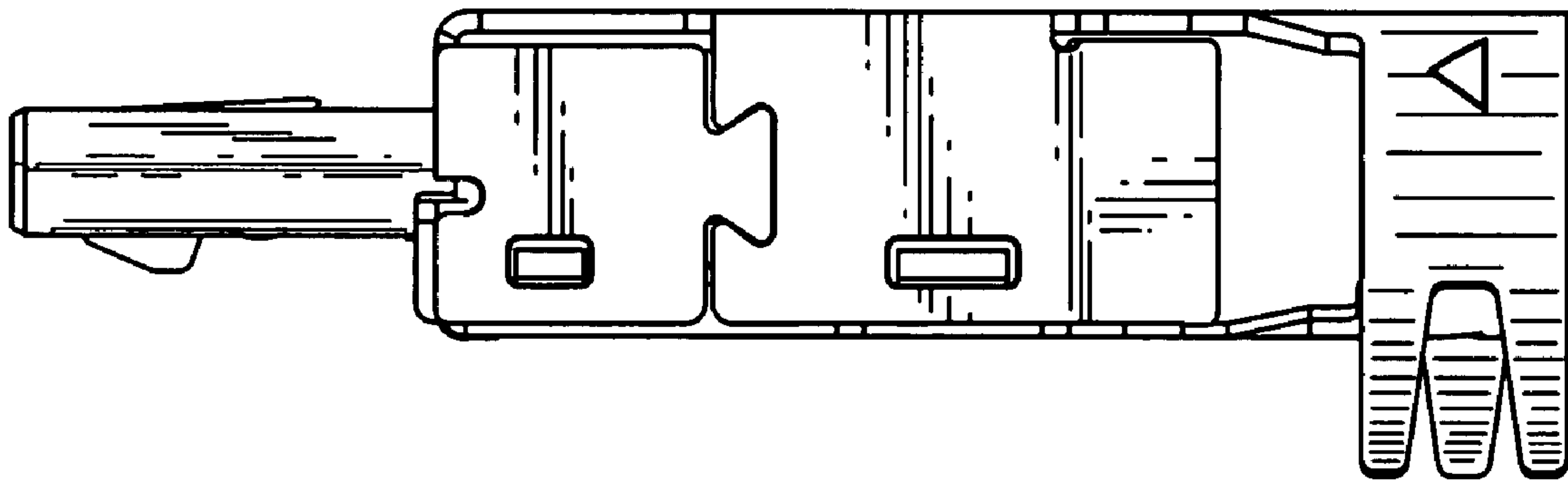


FIG. 5

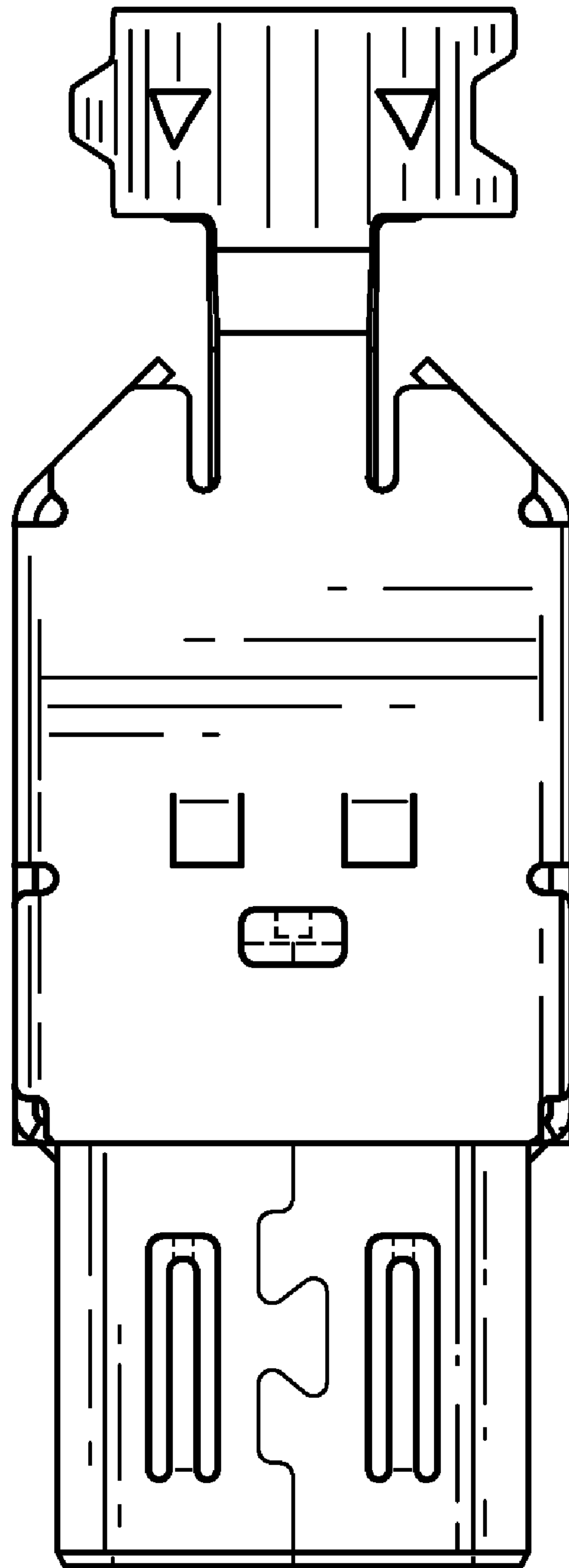


FIG. 6

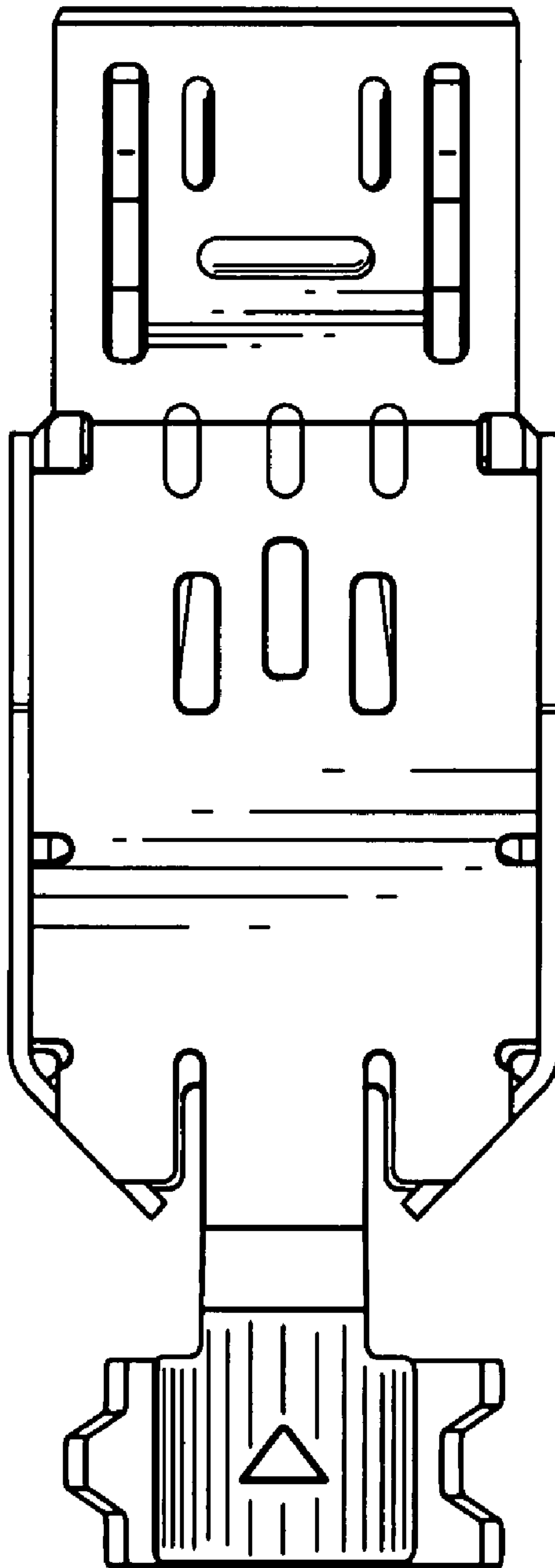


FIG. 7



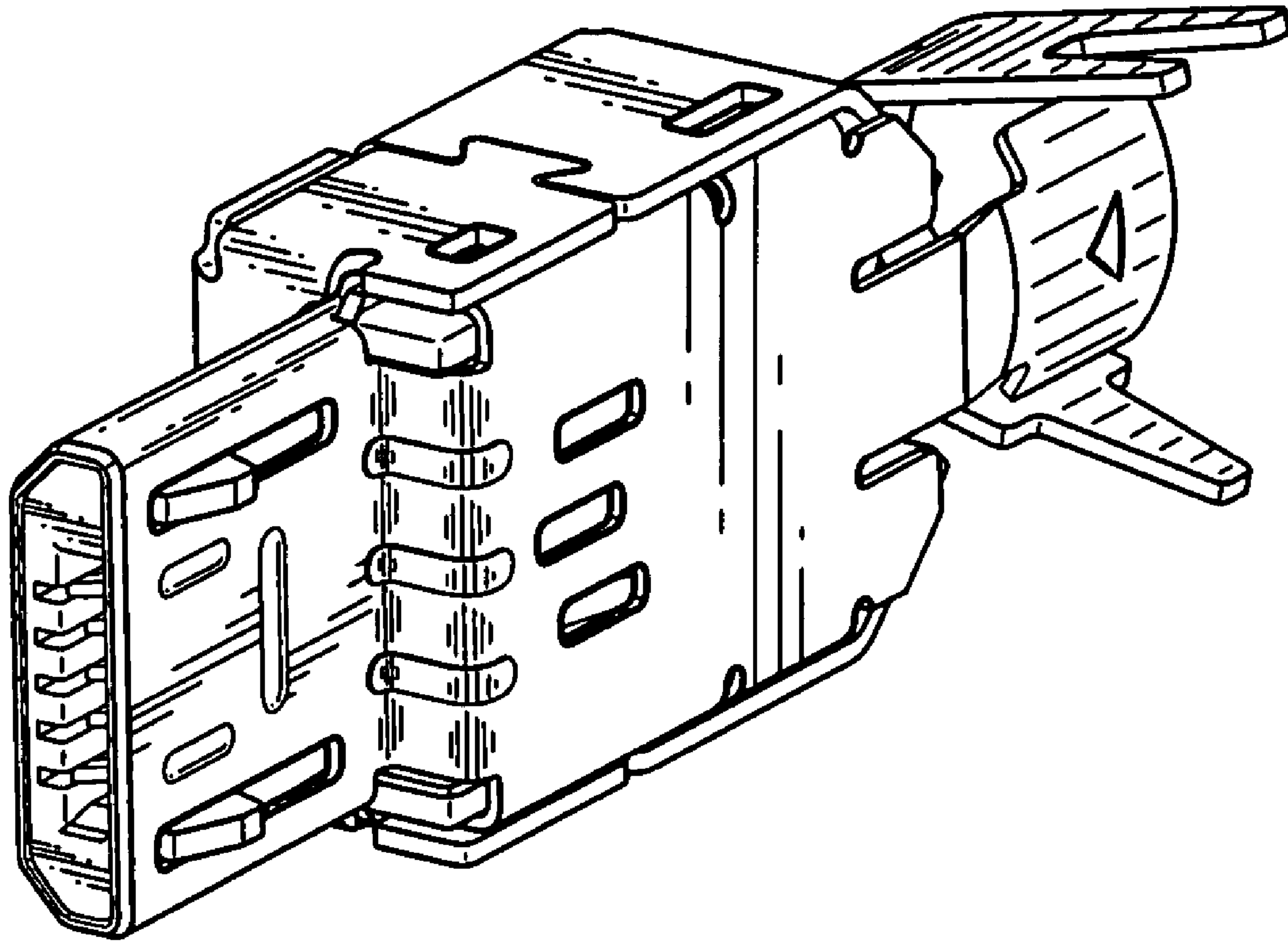


FIG. 8