

US00D592141S

(12) **United States Design Patent**
Mancari et al.

(10) **Patent No.:** **US D592,141 S**
(45) **Date of Patent:** **** May 12, 2009**

(54) **50 AMP ELECTRICAL CONNECTOR HEAD REPLACEMENT RECEPTACLE**

(75) Inventors: **Robert C. Mancari**, High Point, NC (US); **Jeffrey R. Russell**, Winston Salem, NC (US)

(73) Assignee: **Camco Manufacturing Inc.**, Greensboro, NC (US)

(**) Term: **14 Years**

(21) Appl. No.: **29/286,195**

(22) Filed: **Apr. 26, 2007**

(51) **LOC (9) Cl.** **13-03**

(52) **U.S. Cl.** **D13/139.1**

(58) **Field of Classification Search** D13/139.1, D13/139.2, 139.3, 139.4, 139.5, 139.6, 139.7, D13/139.8, 138.1, 138.2, 123, 133, 137.1, D13/137.2, 184, 137.3, 137.4, 124, 160, 162, D13/164, 178, 154; D14/433, 256; D8/350, D8/353; 174/53, 55, 56, 59, 66, 494, 153 G, 174/152 G, 154, 167, 168, 650, 656; 439/101, 439/105, 43, 53, 374, 894, 46, 55, 63, 92, 439/93, 95, 102, 106, 107, 108, 135, 149, 439/222, 266, 285, 291, 300, 344, 373, 535, 439/620.21, 638, 660, 907, 650, 651, 652, 439/653, 654

See application file for complete search history.

(56) **References Cited**

U.S. PATENT DOCUMENTS

1,714,763 A	5/1929	Boyson	
D88,337 S	11/1932	Massey	
2,030,115 A	2/1936	Muldoon	
D148,105 S	12/1947	Gossard	
D155,149 S	9/1949	Gossard	
2,507,092 A	5/1950	Cline	
D159,196 S	7/1950	Englar	
D185,163 S	5/1959	Miller	
D242,464 S	11/1976	Acosta	
D294,018 S *	2/1988	Poliak et al.	D13/139.7
4,778,400 A	10/1988	Jacobs	
D301,462 S *	6/1989	Drew	D13/139.7
D348,431 S *	7/1994	Hoffman et al.	D13/133
D349,276 S *	8/1994	Hoffman et al.	D13/133

5,409,397 A	4/1995	Karman	
5,551,882 A *	9/1996	Whiteman et al.	439/21
D375,291 S *	11/1996	Cheung	D13/138.2
D375,720 S *	11/1996	Cheung	D13/138.2
D431,027 S *	9/2000	Armstrong	D13/162
D445,090 S *	7/2001	Payne et al.	D13/139.7
D483,723 S *	12/2003	Adachi et al.	D13/139.7
D492,254 S *	6/2004	Nakashima et al.	D13/139.2
D511,748 S	11/2005	Caine et al.	
6,986,665 B2 *	1/2006	Schauz et al.	439/21
D549,651 S *	8/2007	Mancari et al.	D13/138.2

OTHER PUBLICATIONS

Ref. No. 1, Model# RV 14-50R, 240V/50A Replacement Receptacle, Progressive Industries website: www.progressiveindustries.net, Apr. 2, 2007.

* cited by examiner

Primary Examiner—Jennifer Rivard
Assistant Examiner—Angela J Lee

(57) **CLAIM**

The ornamental design for a 50 amp electrical connector head replacement receptacle, as shown and described.

DESCRIPTION

FIG. 1 is a bottom, right side, rear perspective view of an embodiment of a 50 amp electrical connector head replacement receptacle embodying our design;

FIG. 2 is a rear elevational view thereof;

FIG. 3 is a front elevational view thereof;

FIG. 4 is a top, left side, front perspective view thereof;

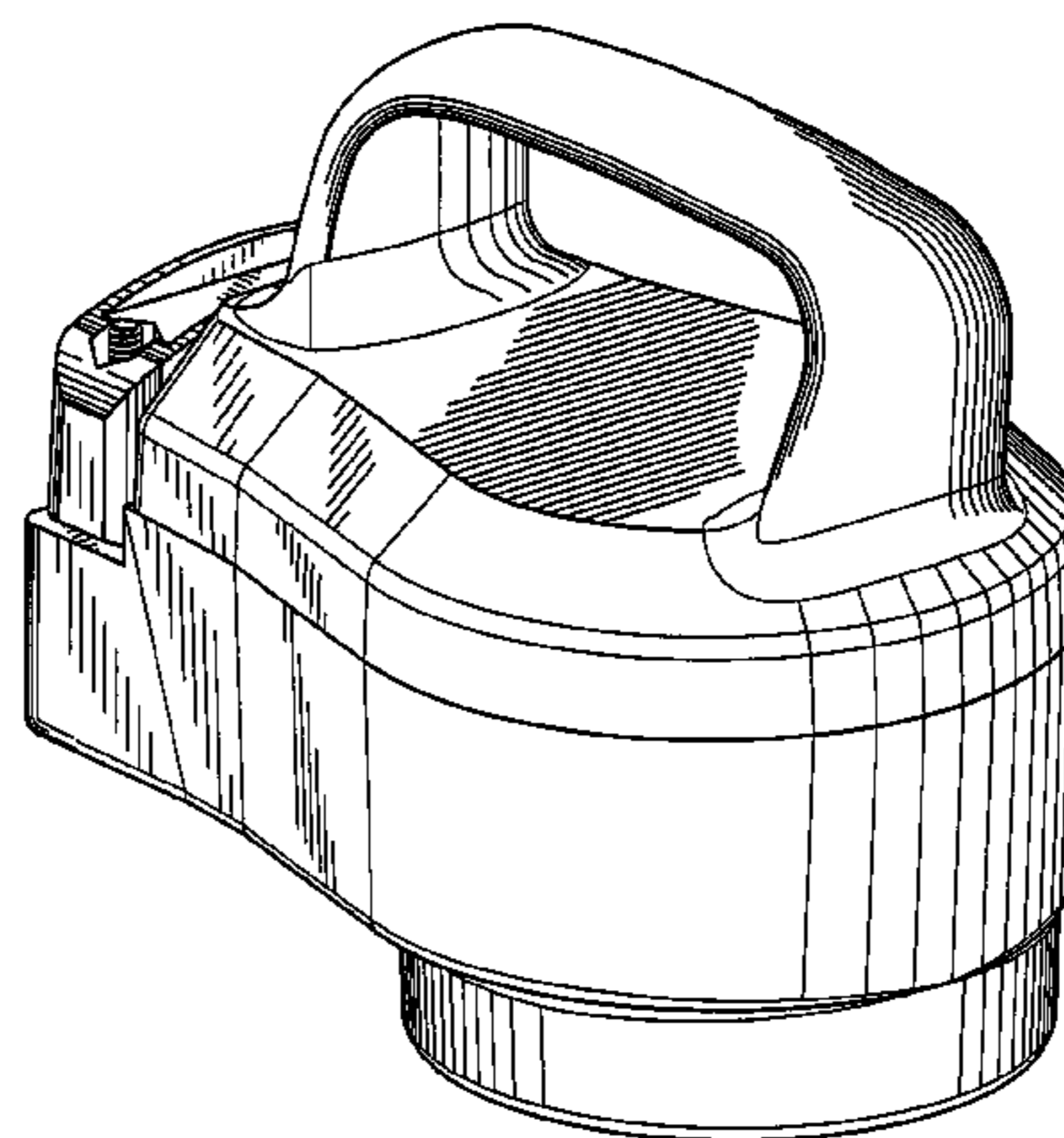
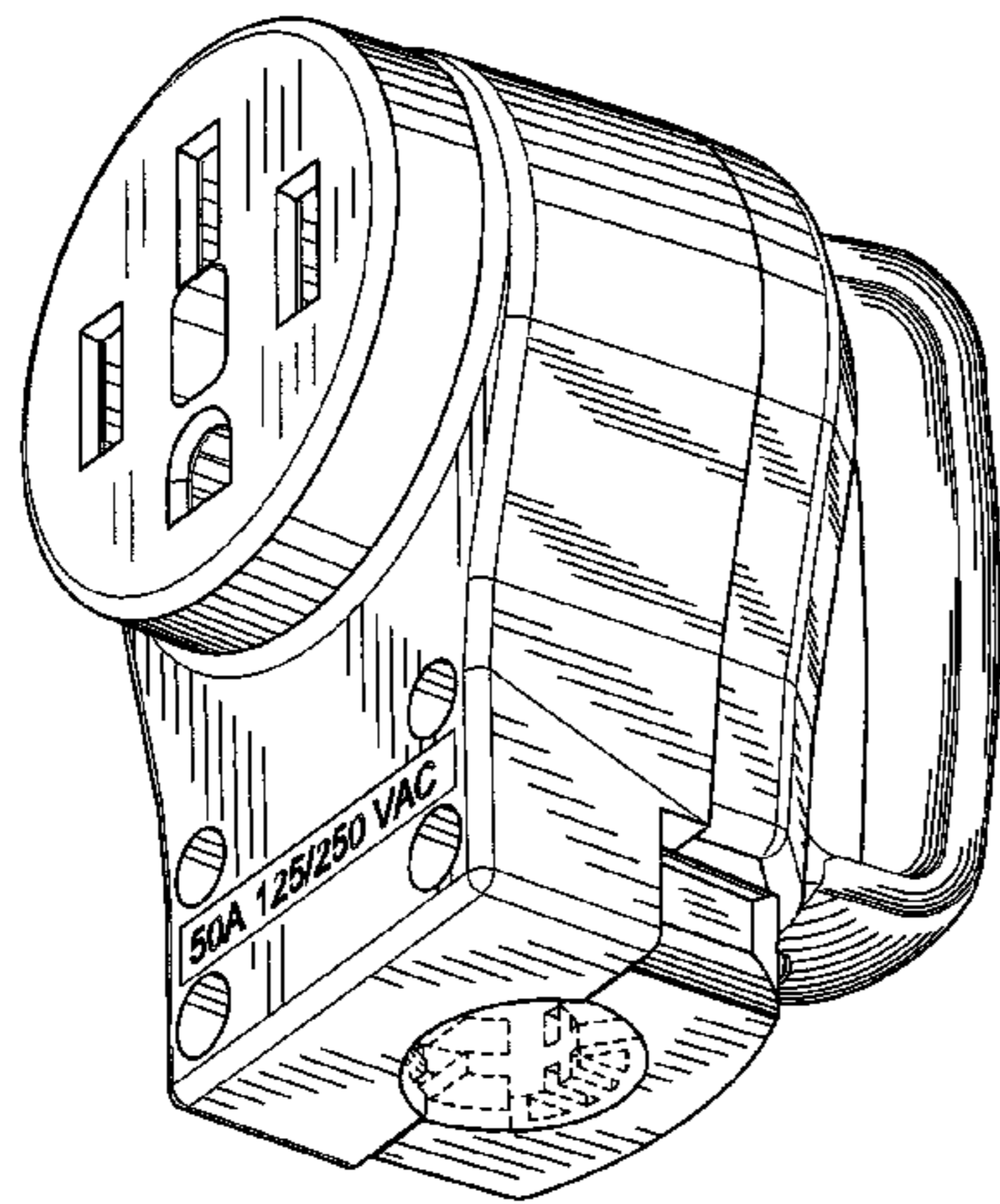
FIG. 5 is a left side elevational view thereof and the right side elevational view being a mirror image;

FIG. 6 is a top plan view thereof; and,

FIG. 7 is a bottom plan view thereof.

The portions of the 50 amp electrical connector head replacement receptacle shown in broken lines form no part of the claimed design.

1 Claim, 4 Drawing Sheets



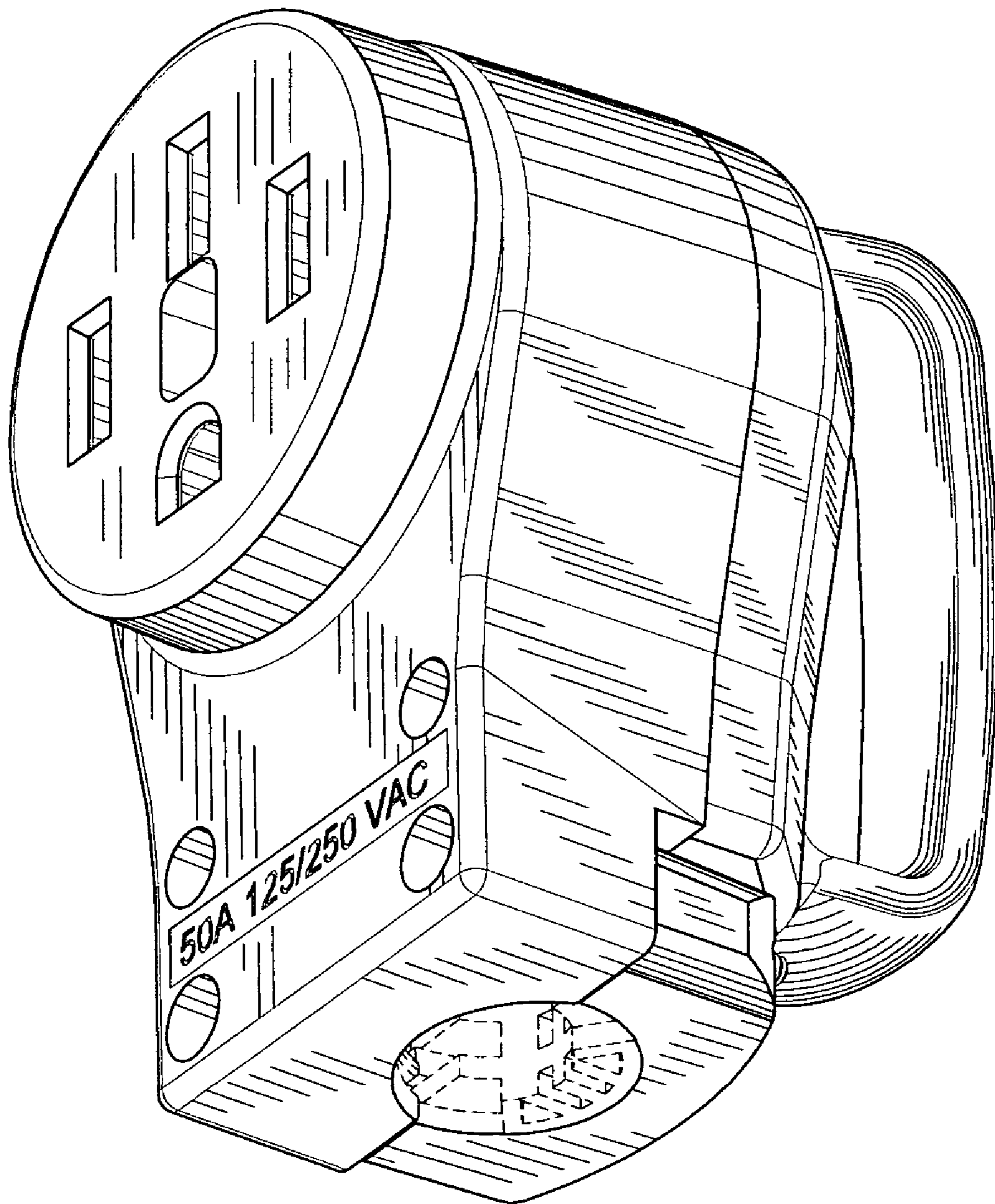


FIG. 1

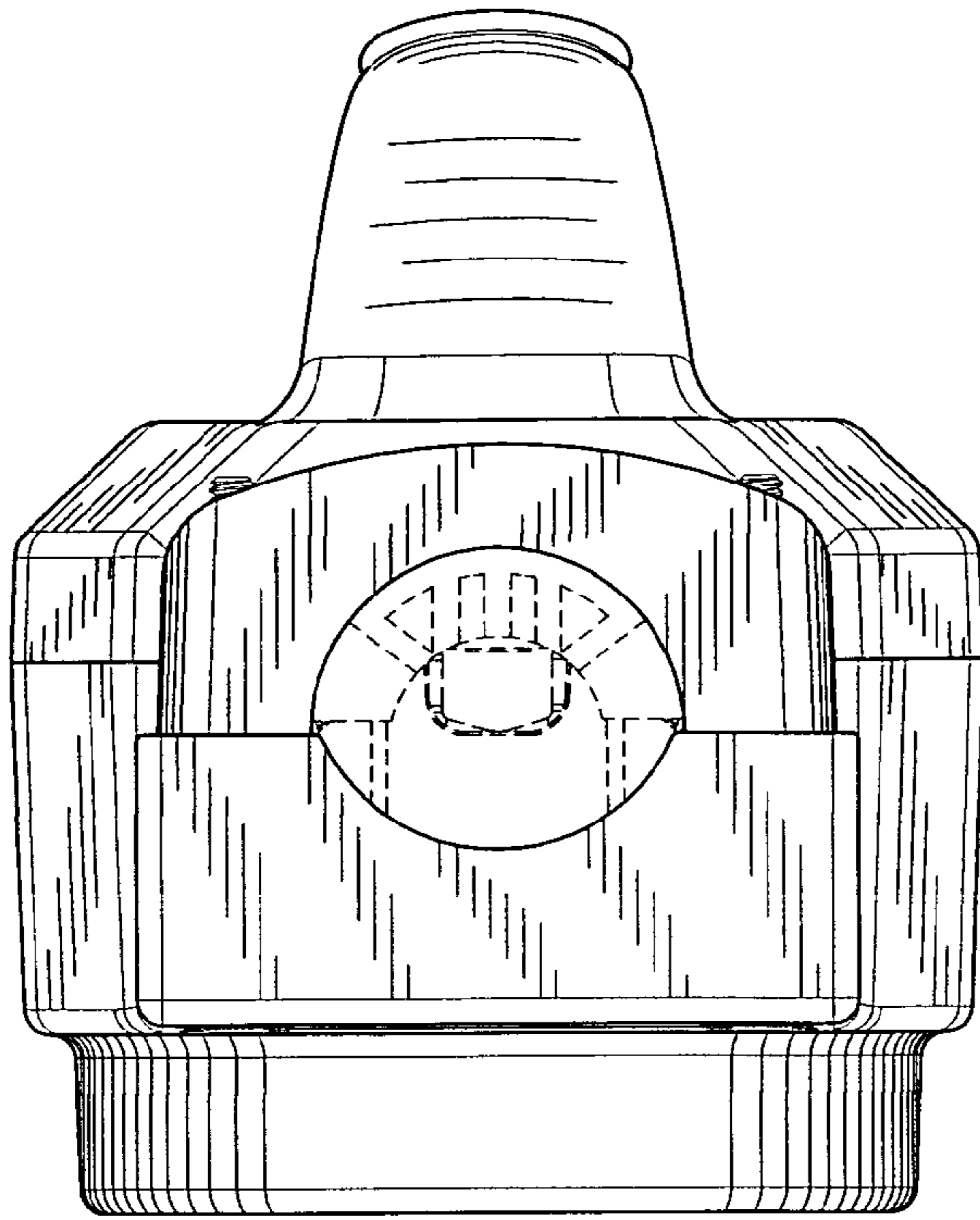


FIG. 2

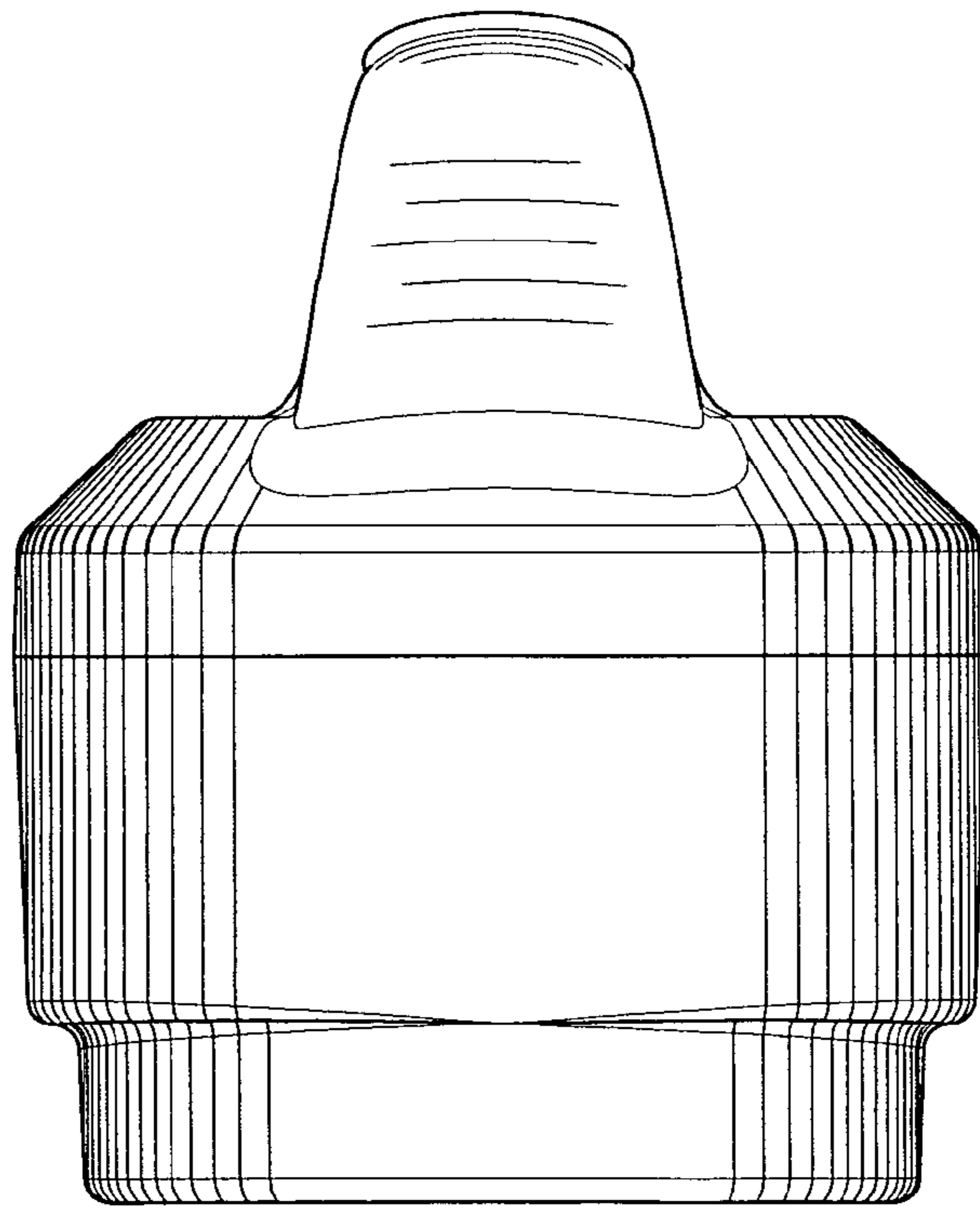


FIG. 3

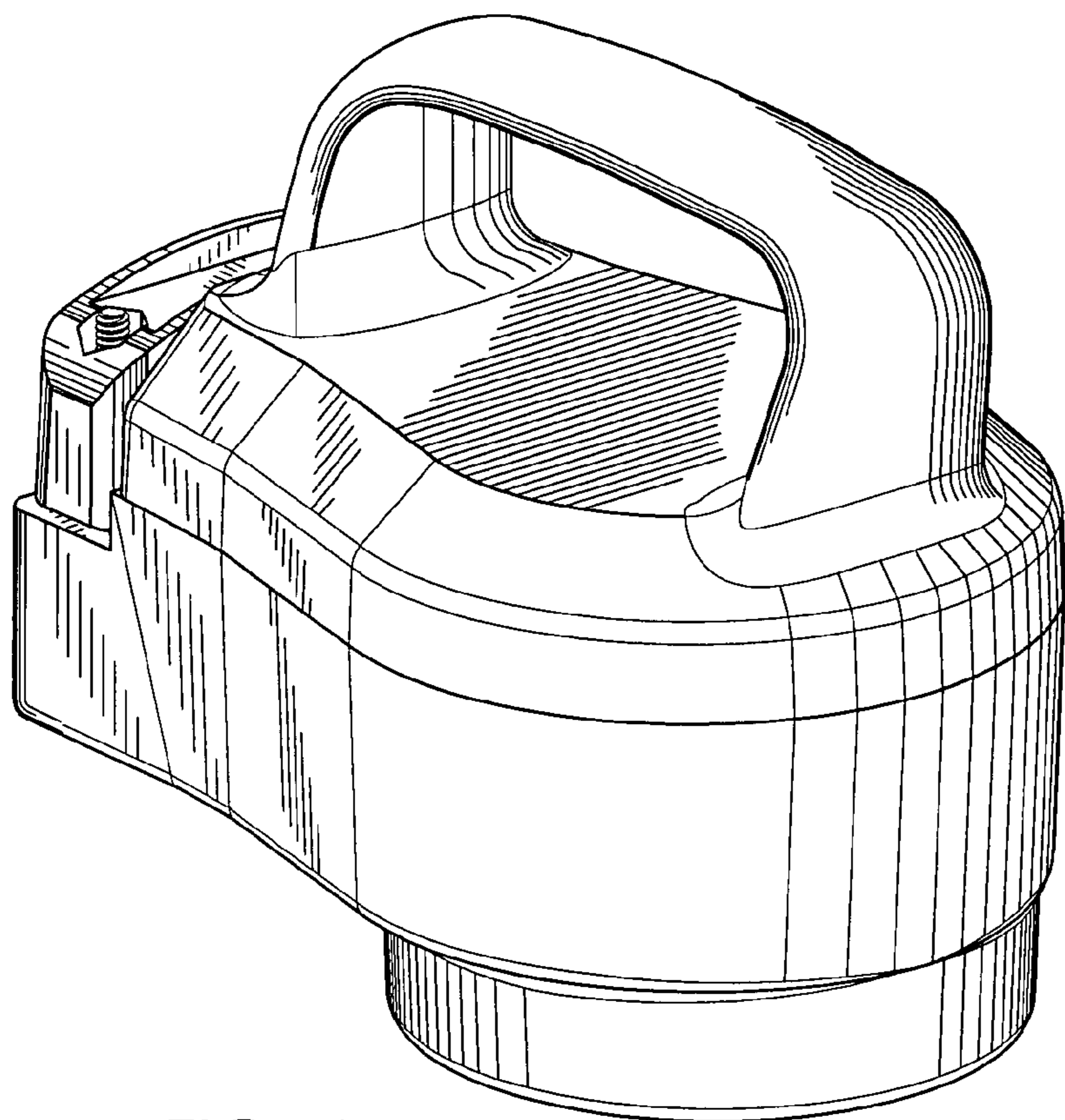


FIG. 4

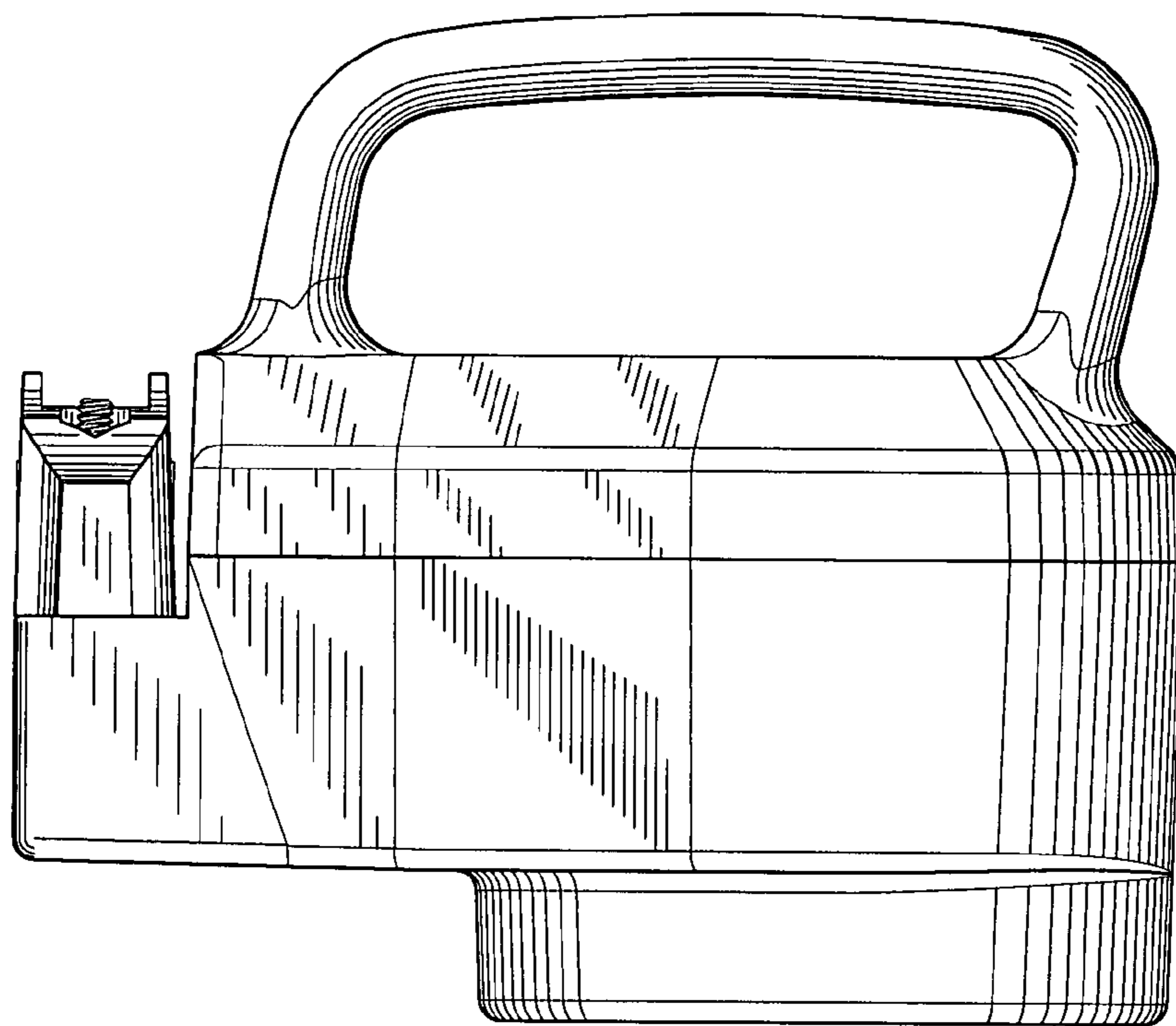


FIG. 5

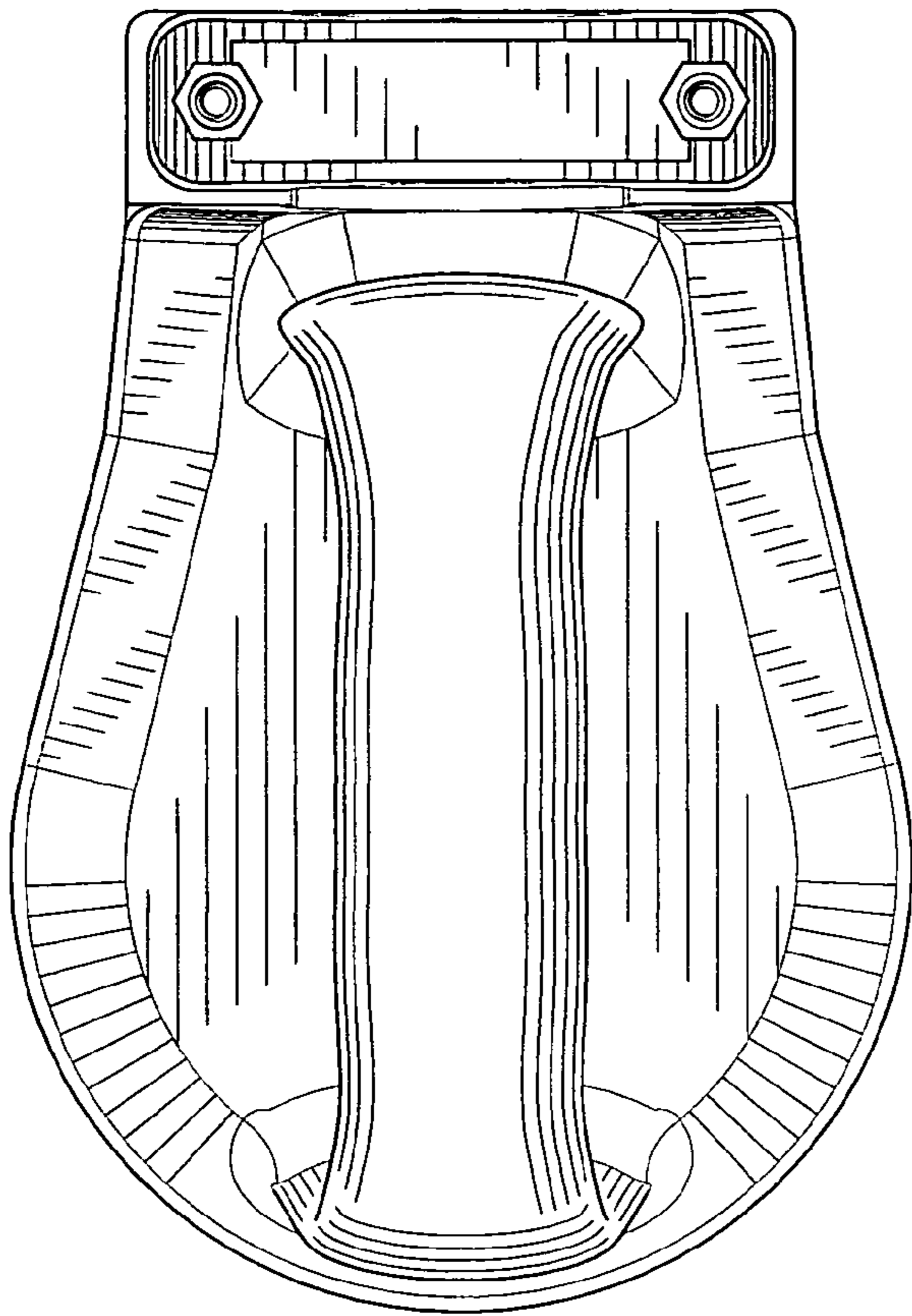


FIG. 6

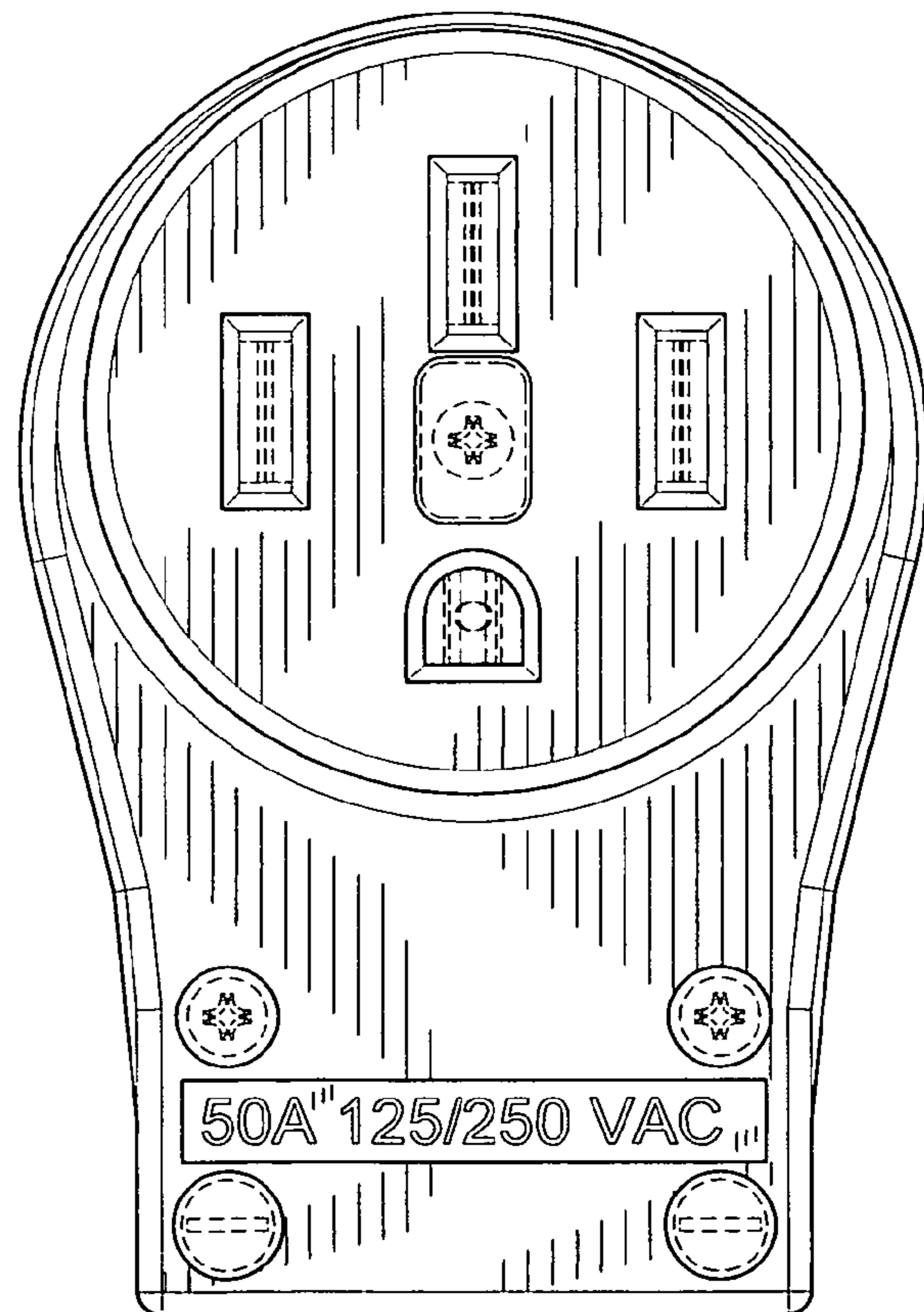


FIG. 7