



US00D592140S

(12) **United States Design Patent**
Victor

(10) **Patent No.:** **US D592,140 S**

(45) **Date of Patent:** **** May 12, 2009**

(54) **CABLE CONNECTOR**

D584,238 S * 1/2009 Victor D13/156

(76) Inventor: **Jay Victor**, 2017 Batsan Rd., Unit A,
Redondo Beach, CA (US) 90275

* cited by examiner

Primary Examiner—Jennifer Rivard

Assistant Examiner—Rosemary K Tarcza

(74) *Attorney, Agent, or Firm*—Trojan Law Offices

(**) Term: **14 Years**

(21) Appl. No.: **29/321,634**

(57) **CLAIM**

(22) Filed: **Jul. 21, 2008**

The ornamental design for a cable connector, as shown and described.

(51) **LOC (9) Cl.** **13-03**

(52) **U.S. Cl.** **D13/138.2; D13/154**

(58) **Field of Classification Search** D13/133,
D13/137.1–139.8, 154, 156, 184; 439/152–160,
439/484, 692, 694

DESCRIPTION

See application file for complete search history.

FIG. 1 is a perspective view of a cable connector, showing my new design;

FIG. 2 is a top view of the cable connector shown in FIG. 1; a bottom view of the cable connector shown in FIG. 1 is a mirror image of the top view shown;

FIG. 3 is a front view of the cable connector shown in FIG. 1;

FIG. 4 is a left side view of the cable connector shown in FIG. 1;

FIG. 5 is a right side view of the cable connector shown in FIG. 1; and,

FIG. 6 is a rear view of the cable connector shown in FIG. 1.

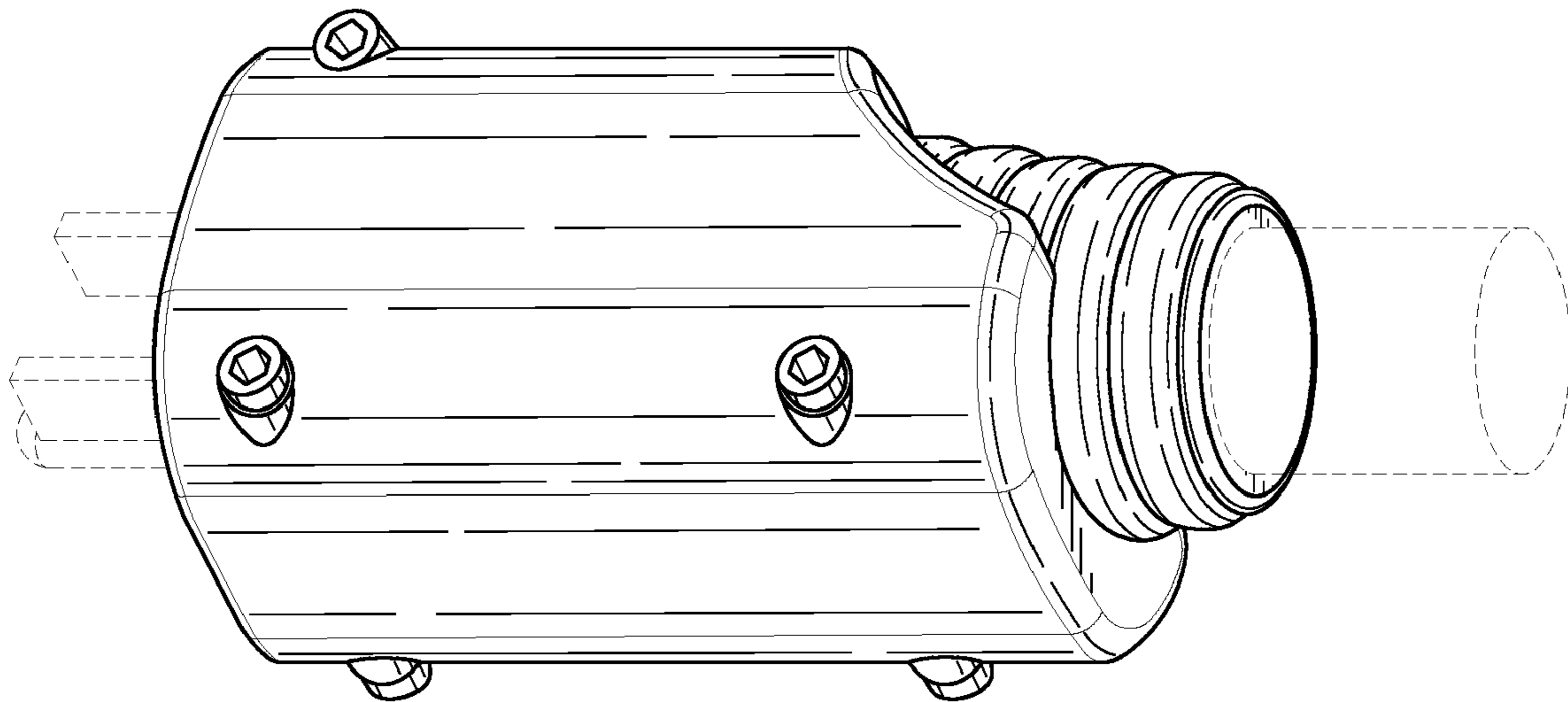
The broken lines showing plug pins in FIGS. 1 through 5 and a cable cord in FIGS. 1, 2, and 4 through 6 are for illustrative purposes only and form no part of the claimed design.

(56) **References Cited**

U.S. PATENT DOCUMENTS

D109,912 S *	5/1938	Guild	D13/138.1
D125,457 S *	2/1941	Reinecke	D13/138.1
D178,359 S *	7/1956	Gombar	D13/138.1
D305,326 S *	1/1990	Clayton, Jr.	D13/138.1
D315,141 S *	3/1991	Hames	D13/137.3
D524,759 S *	7/2006	Wada et al.	D13/156
D552,560 S *	10/2007	Victor	D13/154
D559,183 S *	1/2008	Victor	D13/133
D563,899 S *	3/2008	Goetz et al.	D13/154
D567,182 S *	4/2008	Victor	D13/156
D567,183 S *	4/2008	Victor	D13/156
D569,810 S *	5/2008	Victor	D13/154

1 Claim, 2 Drawing Sheets



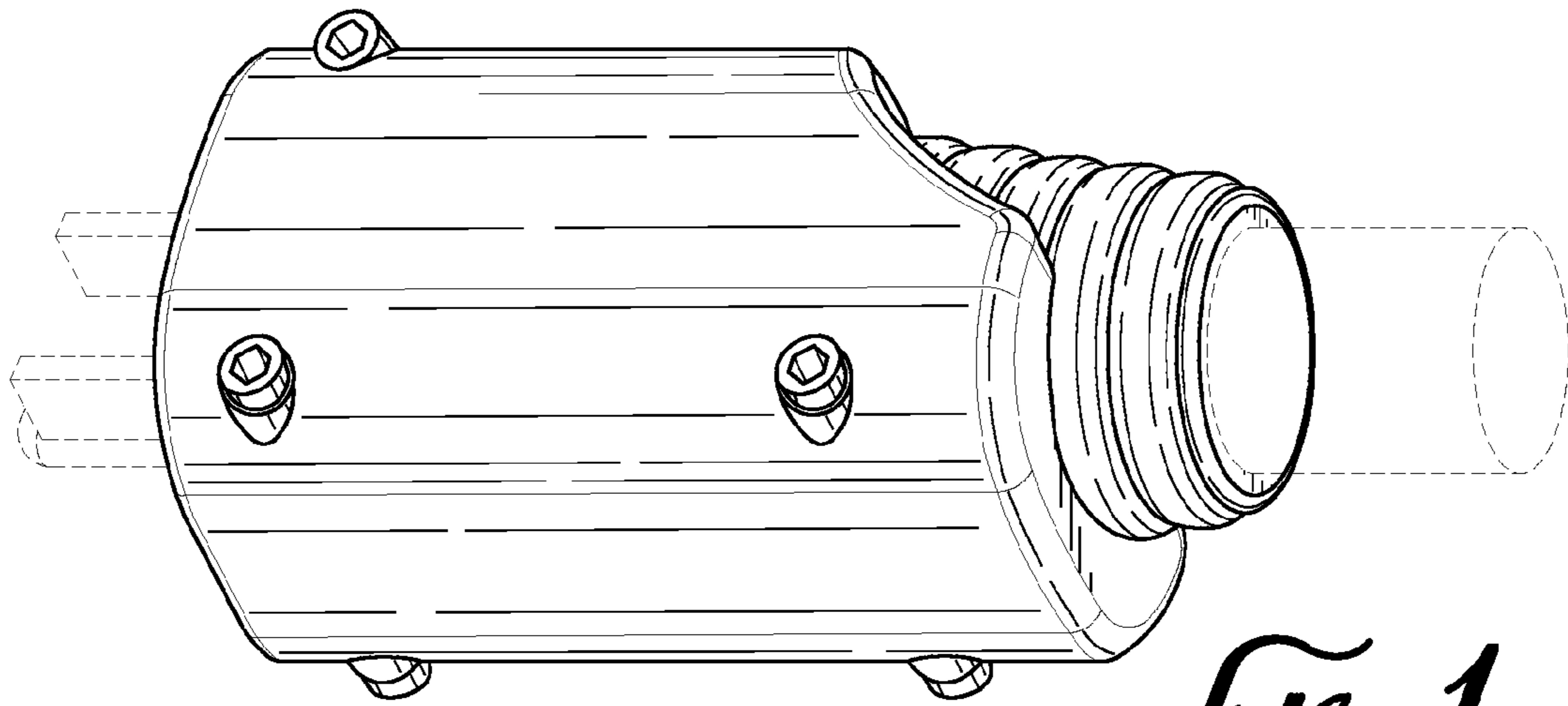


FIG. 1

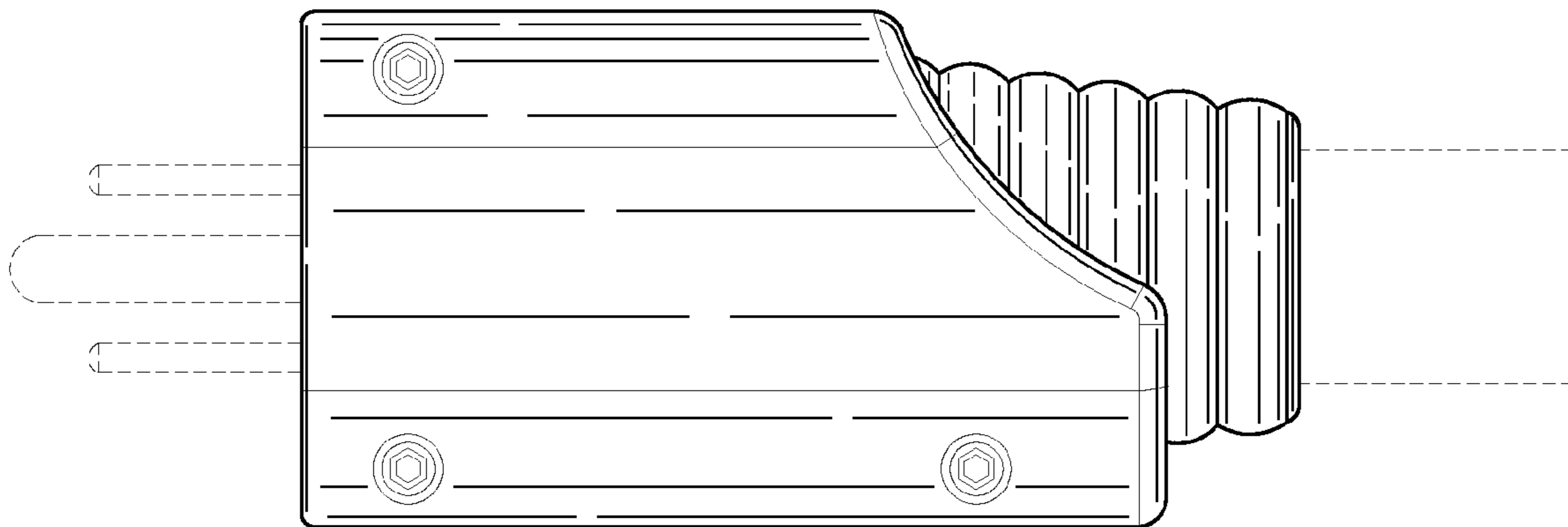


FIG. 2

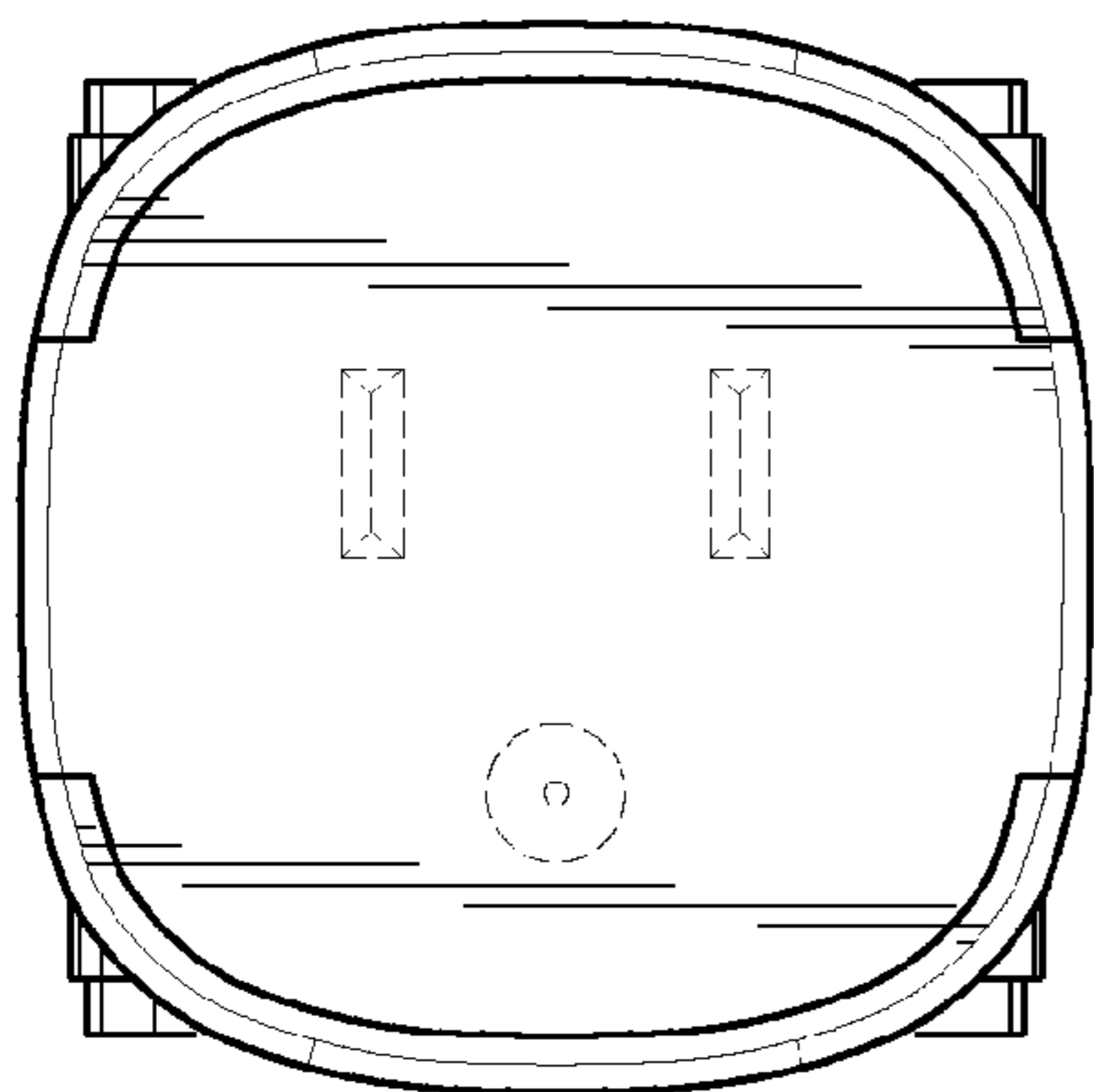


FIG. 3

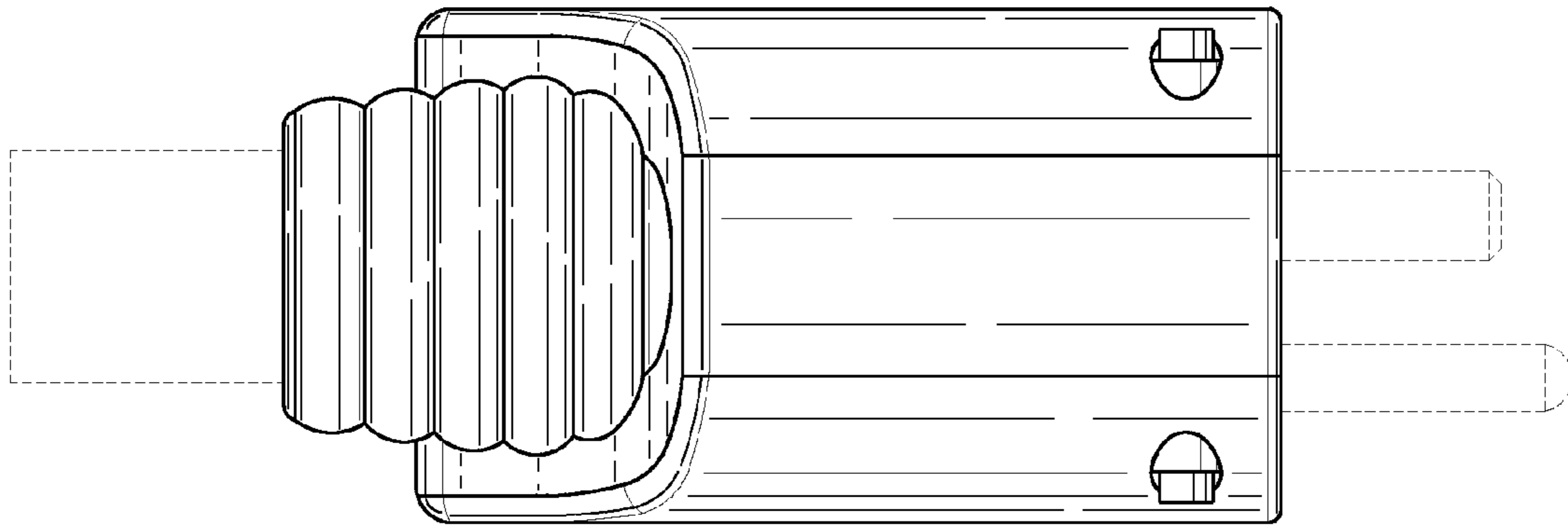


FIG. 4

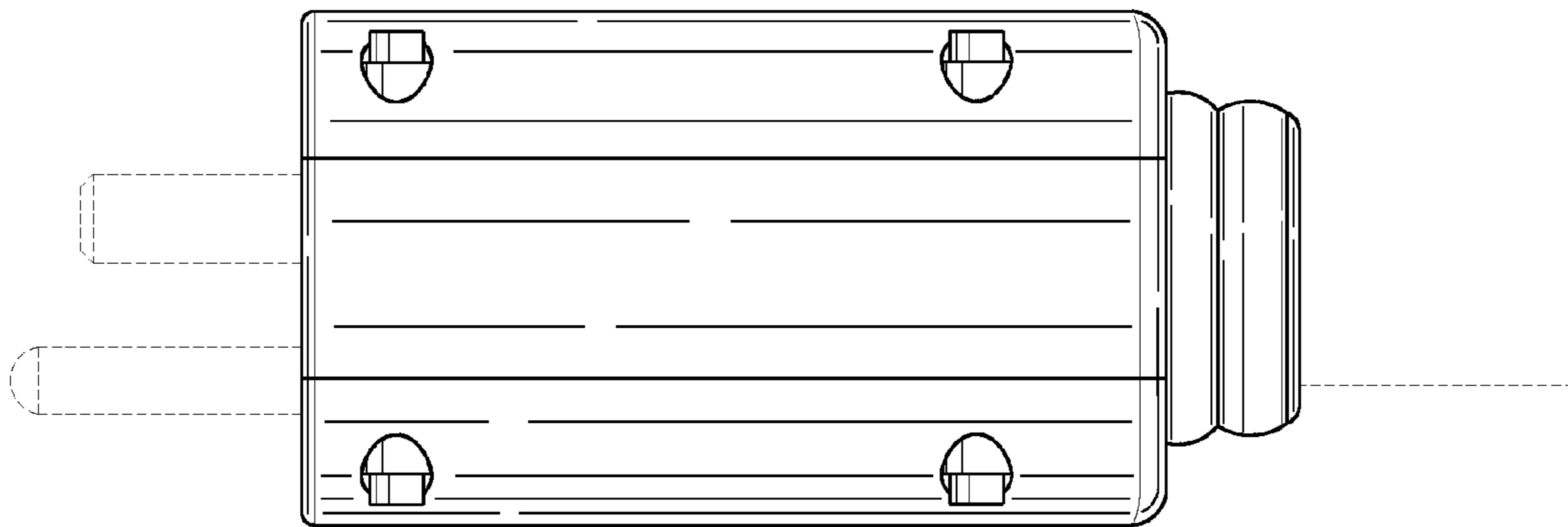


FIG. 5

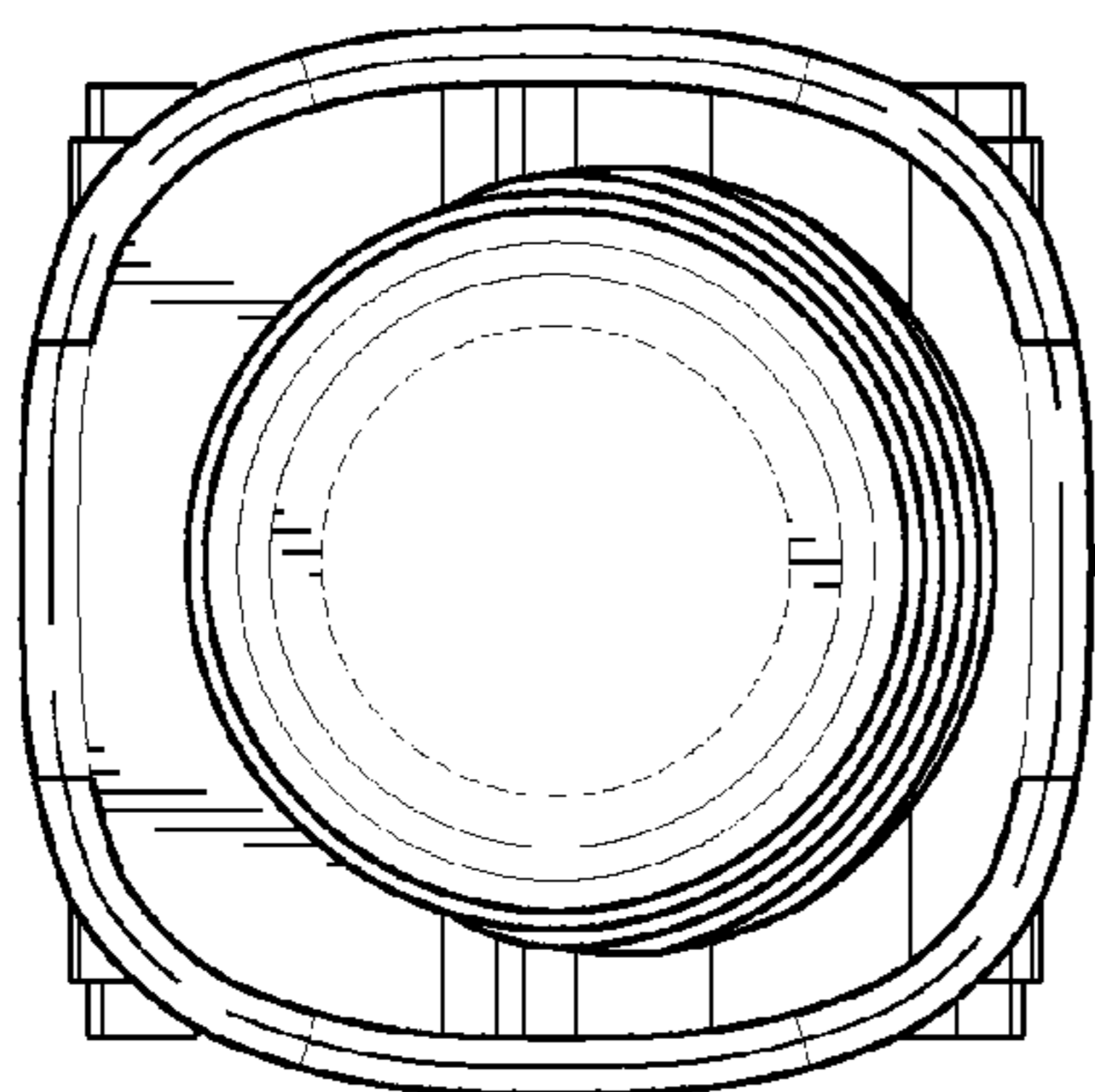


FIG. 6