



US00D592139S

(12) **United States Design Patent**  
**Wu**

(10) **Patent No.:** **US D592,139 S**  
(45) **Date of Patent:** **\*\* May 12, 2009**

(54) **PLUG CONNECTOR**

(75) Inventor: **Jui Hsiung Wu**, Taipei (TW)

(73) Assignee: **Conntek Integrated Solutions, Inc.**,  
Cudahy, WI (US)

(\*\*) Term: **14 Years**

(21) Appl. No.: **29/309,204**

(22) Filed: **Jul. 8, 2008**

(51) **LOC (9) Cl.** ..... **13-03**

(52) **U.S. Cl.** ..... **D13/138.2**

(58) **Field of Classification Search** ..... D13/139.1,  
D13/139.2, 139.3, 139.4, 139.5, 139.6, 139.7,  
D13/139.8, 138.1, 138.2, 123, 133, 137.1,  
D13/137.2, 184, 137.3, 137.4, 124, 160, 162,  
D13/164, 178, 154, 156, 107, 110, 145, 177;  
D14/433, 256; D8/350, 353; 174/53, 55,  
174/56, 59, 66, 494, 153 G, 152 G, 154, 167,  
174/168, 650, 656, 481, 504; 439/101, 105,  
439/43, 53, 374, 894, 46, 55, 63, 92, 93,  
439/95, 102, 106, 107, 108, 135, 149, 222,  
439/266, 285, 291, 300, 344, 373, 535, 620.21,  
439/638, 660, 907, 650, 651, 652, 653, 654;  
361/42

See application file for complete search history.

(56) **References Cited**

**U.S. PATENT DOCUMENTS**

2,030,115 A \* 2/1936 Muldoon ..... 439/484  
2,301,258 A \* 11/1942 Corlew ..... 439/694

D148,105 S \* 12/1947 Gossard ..... D13/138.1  
D155,150 S \* 9/1949 Gossard ..... D13/138.1  
D155,151 S \* 9/1949 Gossard ..... D13/138.1  
D155,502 S \* 10/1949 Gossard ..... D13/138.1  
D159,196 S \* 7/1950 Englar ..... D13/138.1  
D242,464 S \* 11/1976 Acosta ..... D13/138.1  
D345,342 S \* 3/1994 Fox ..... D13/138.1  
D483,331 S \* 12/2003 Adachi et al. .... D13/139.7  
D483,723 S \* 12/2003 Adachi et al. .... D13/139.7  
D493,142 S \* 7/2004 Siu ..... D13/138.1

\* cited by examiner

*Primary Examiner*—Jennifer Rivard

*Assistant Examiner*—Angela J Lee

(74) *Attorney, Agent, or Firm*—Rosenberg, Klein & Lee

(57) **CLAIM**

The ornamental design for a plug connector, as shown and described.

**DESCRIPTION**

FIG. 1 is a perspective view of a plug connector showing my new design;

FIG. 2 is a front elevational view thereof;

FIG. 3 is a rear elevational view thereof;

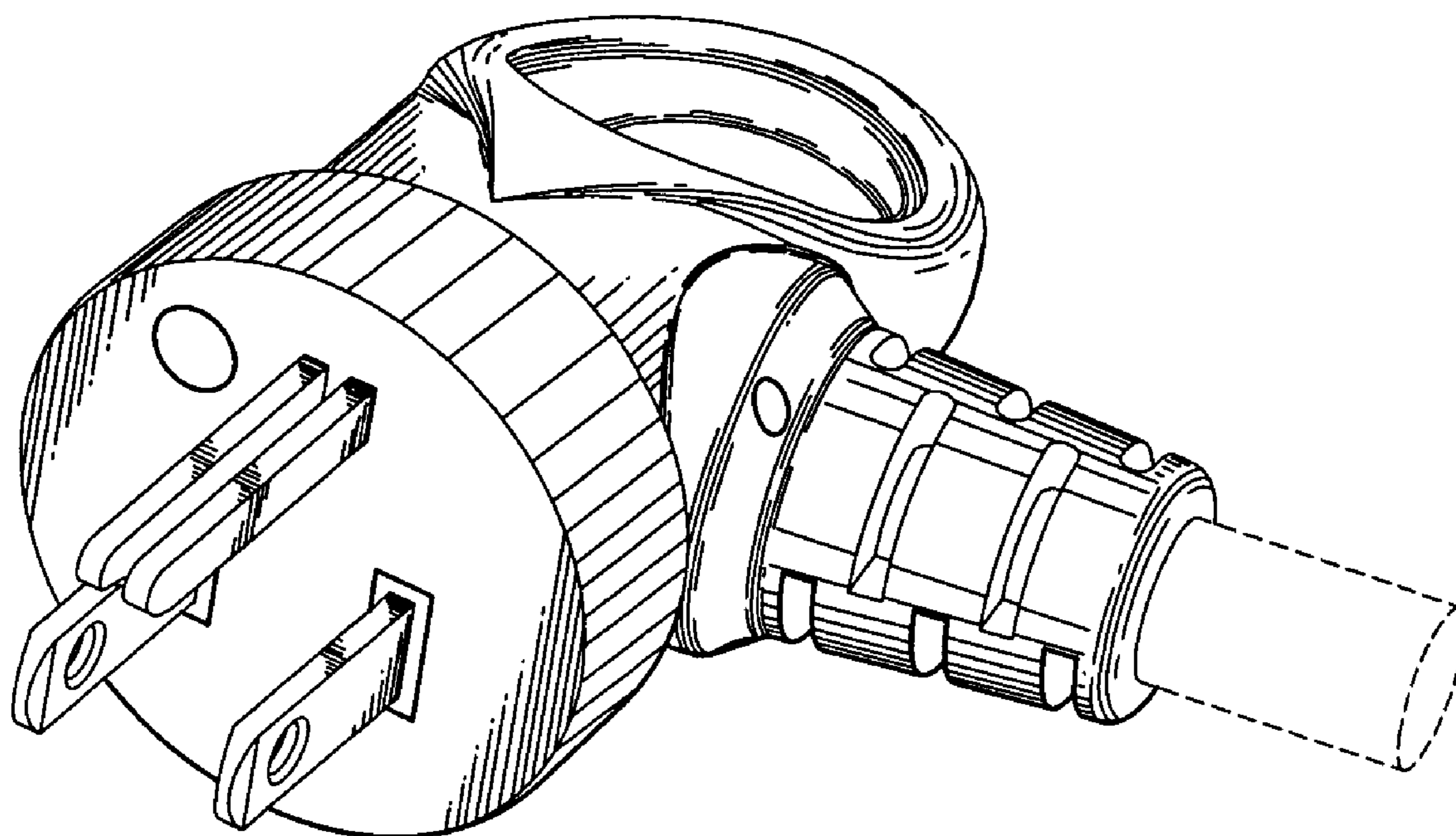
FIG. 4 is a left side elevational view thereof;

FIG. 5 is a right side elevational view thereof;

FIG. 6 is a top plan view thereof; and,

FIG. 7 is a bottom plan view thereof.

**1 Claim, 7 Drawing Sheets**



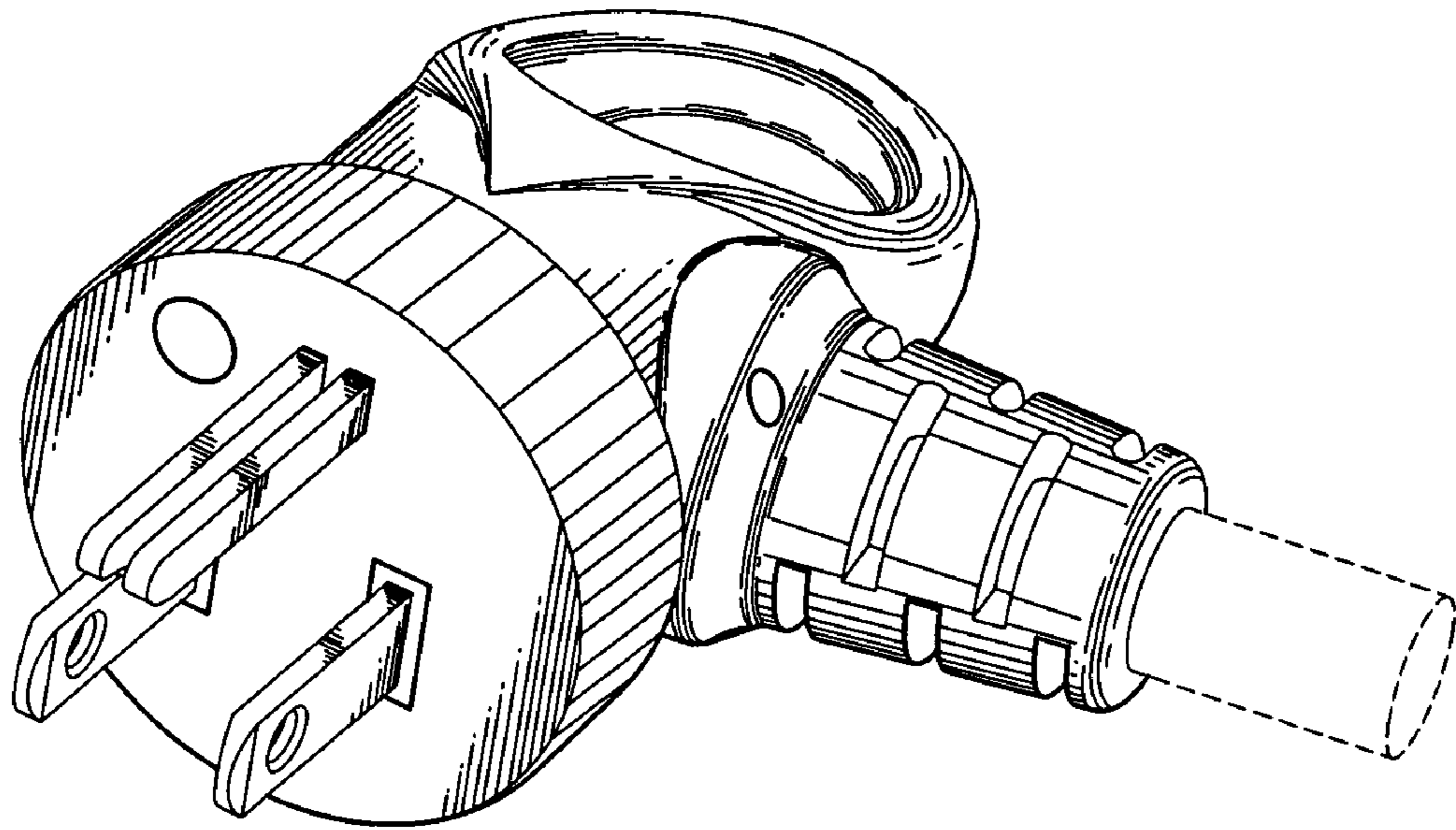


FIG. 1

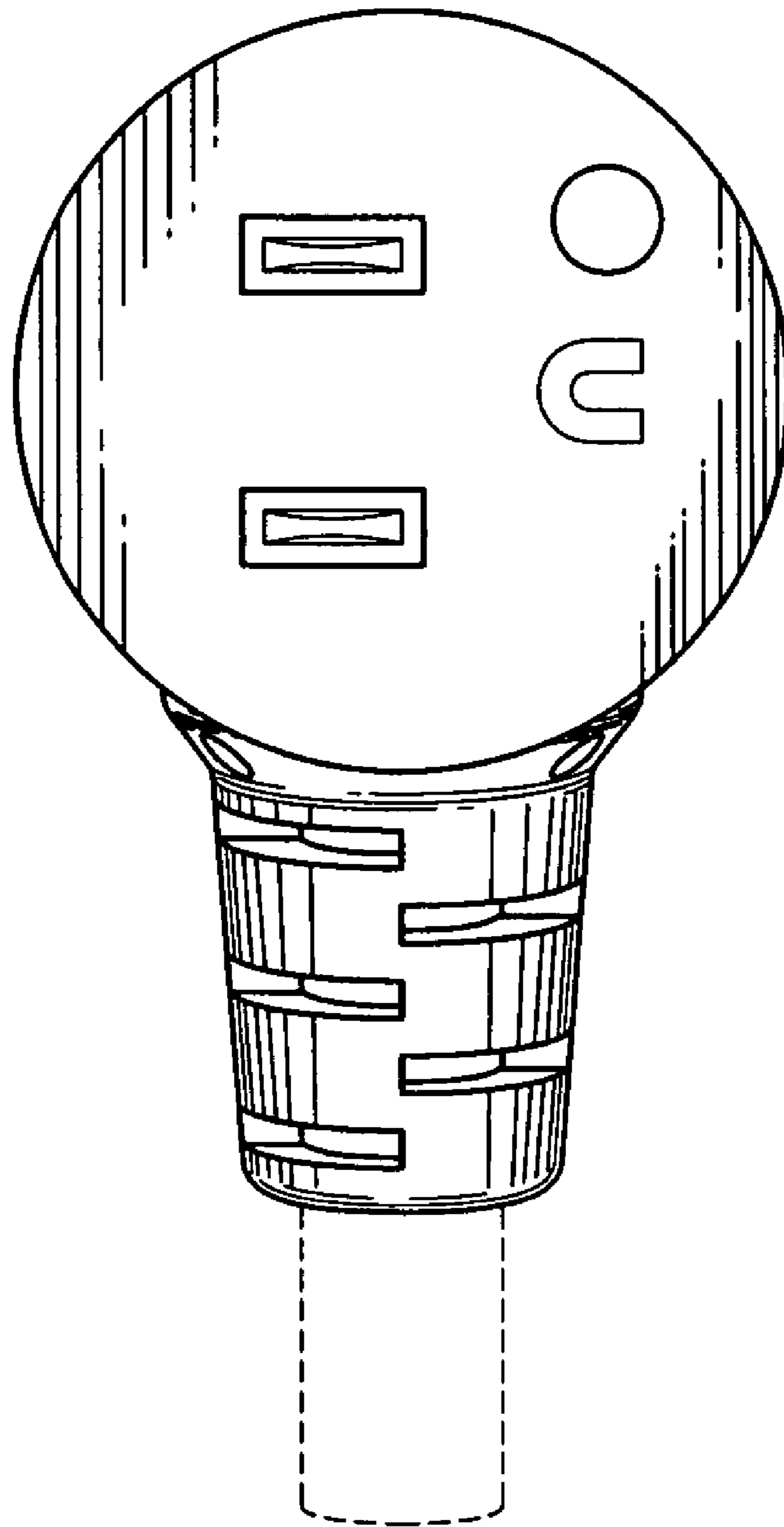


FIG. 2

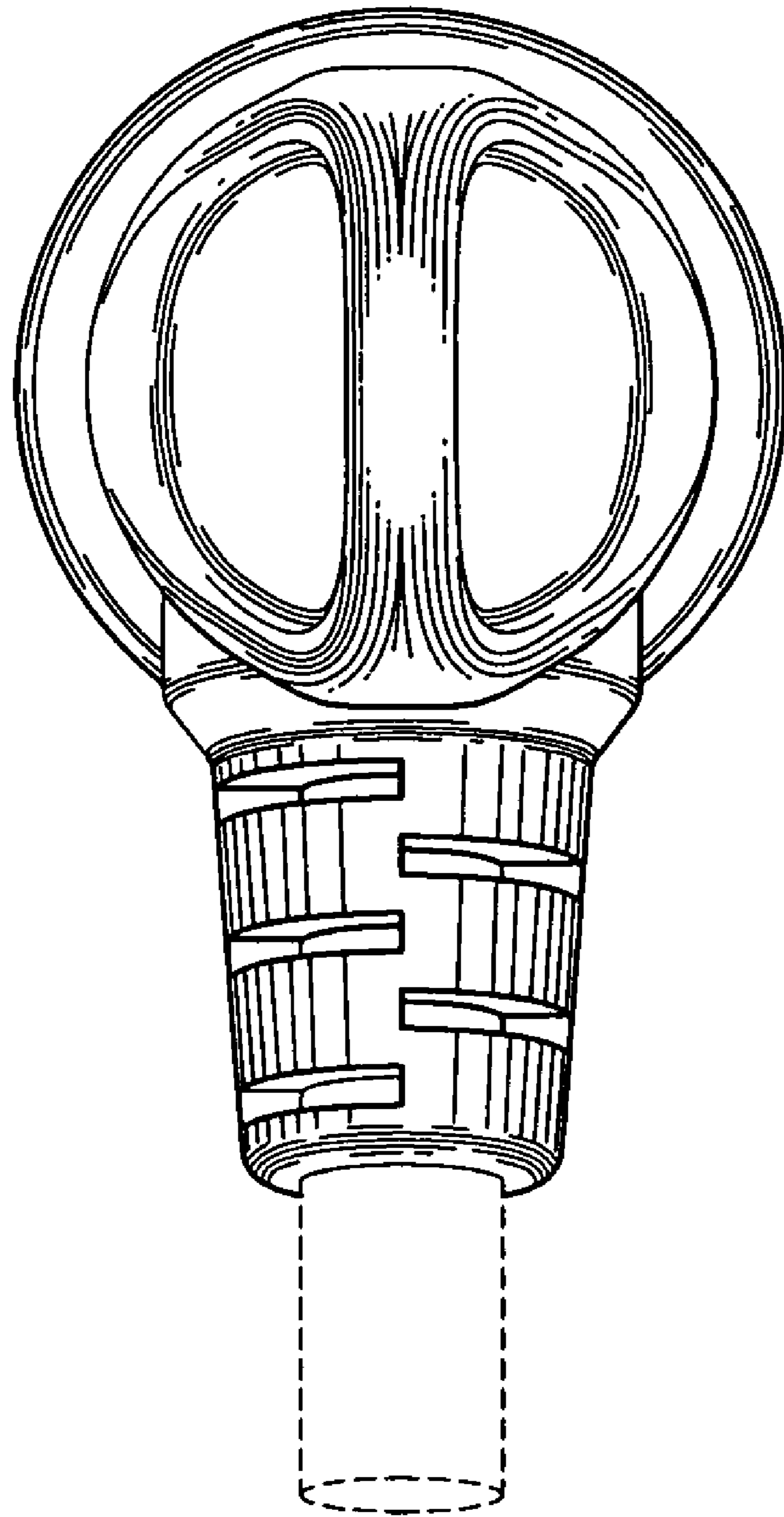


FIG. 3

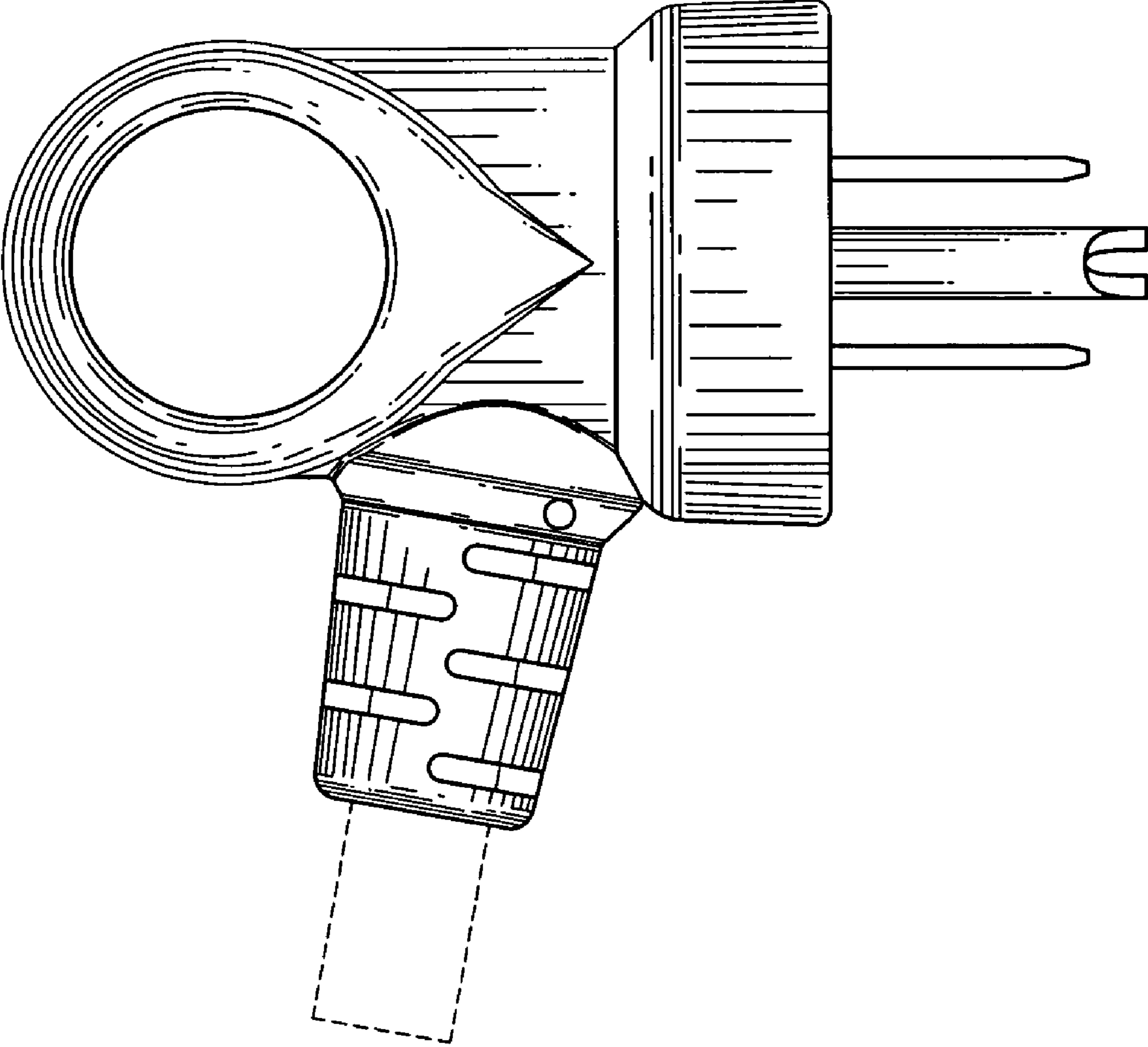


FIG. 4

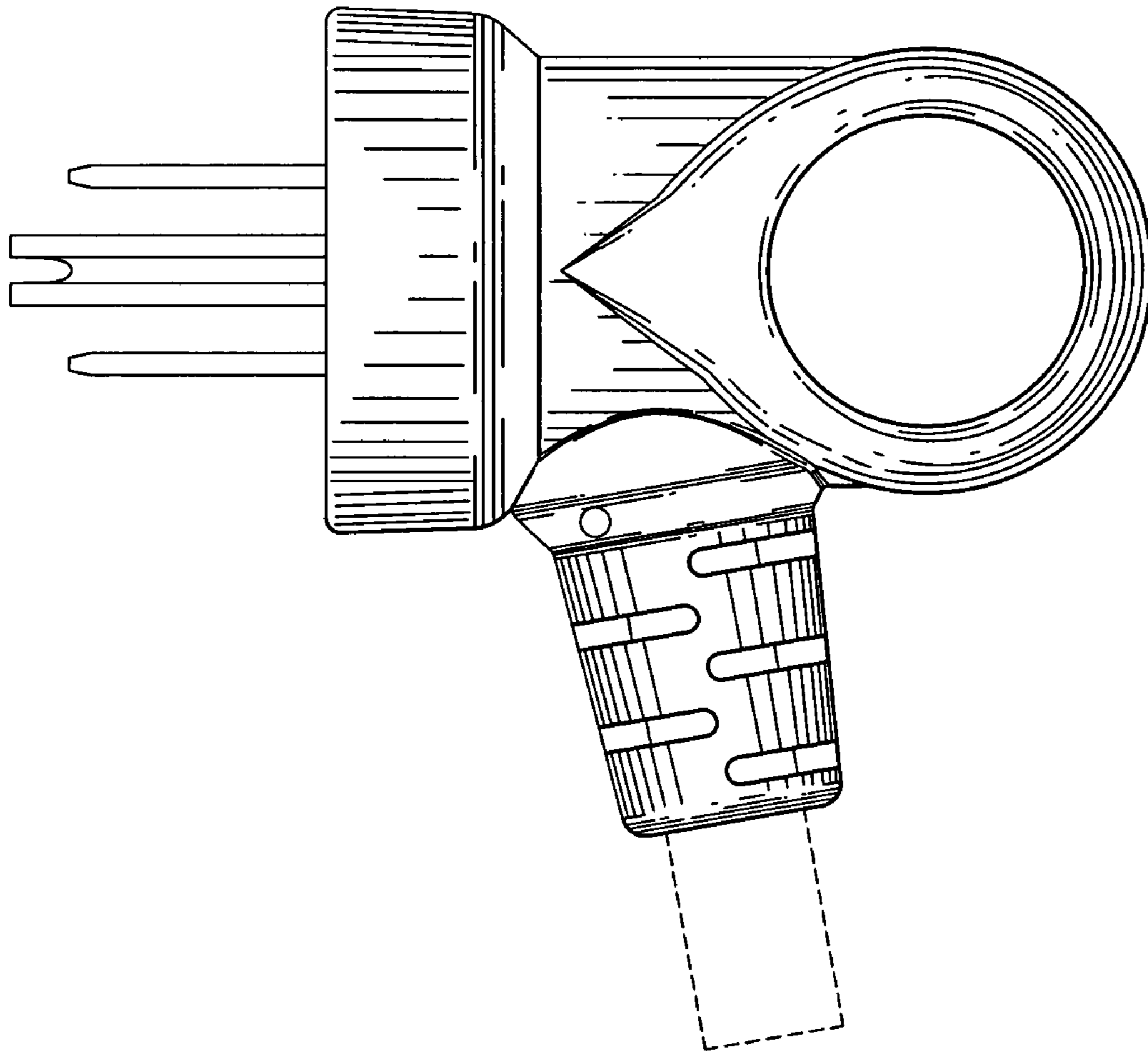


FIG. 5

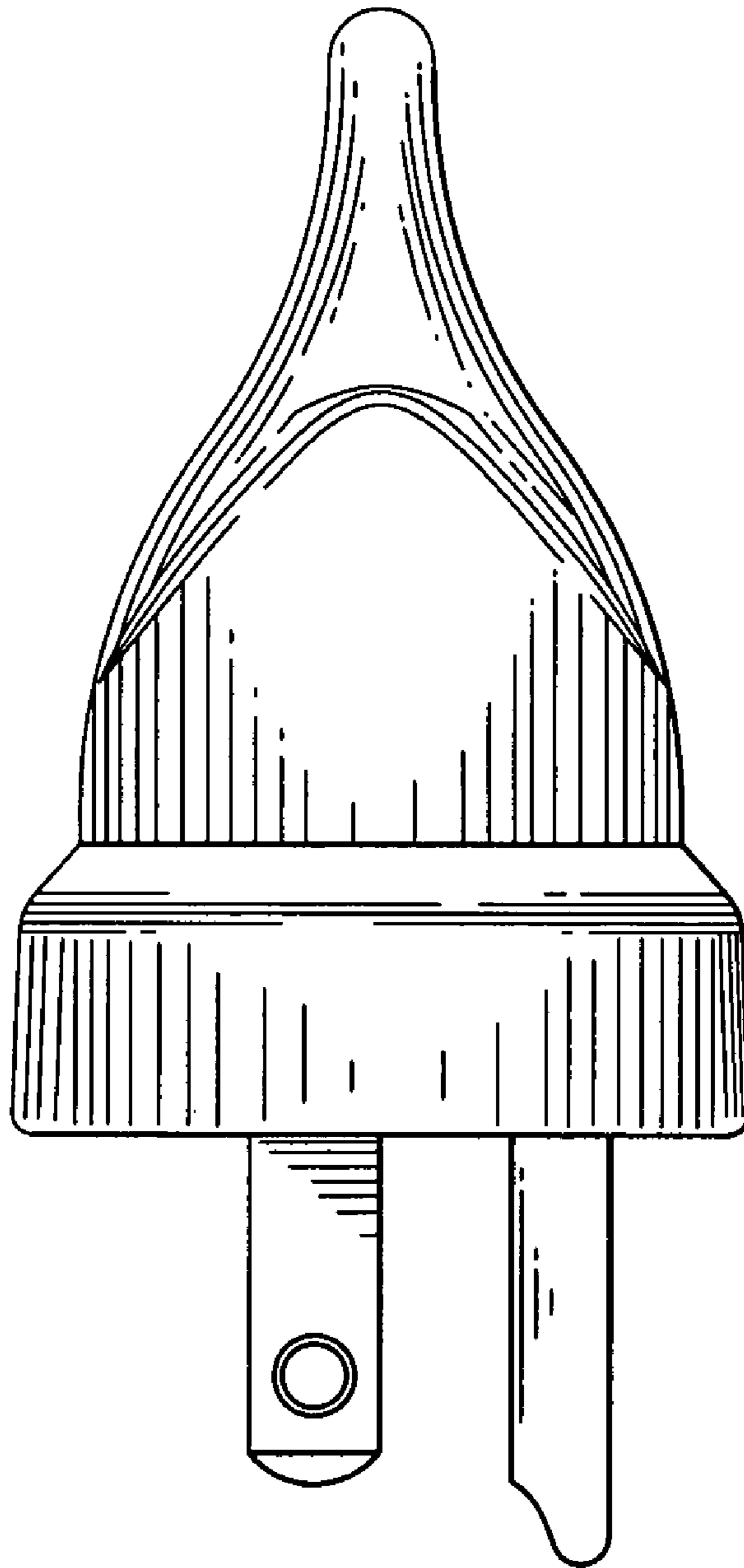


FIG. 6

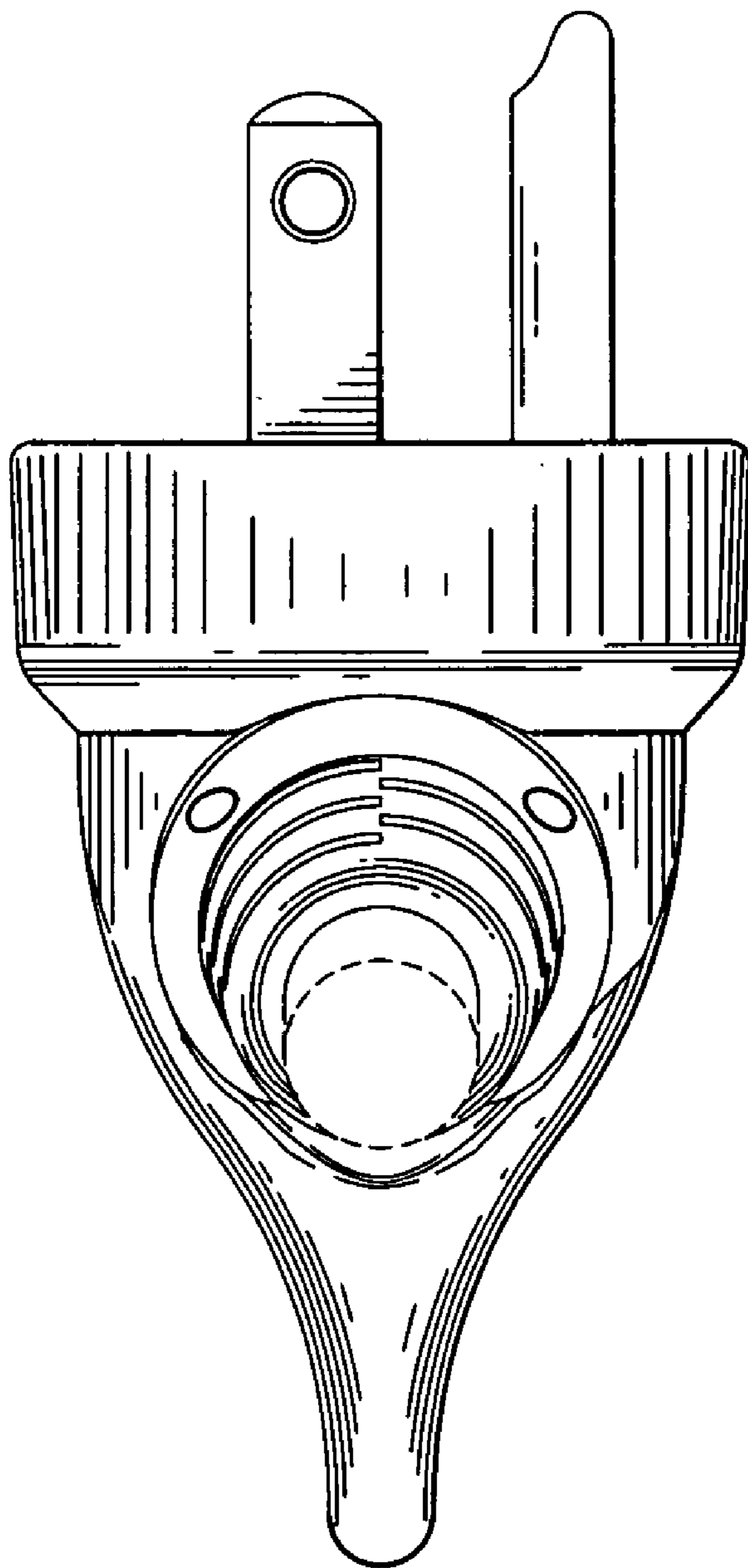


FIG. 7