



US00D592138S

(12) **United States Design Patent**
Mahaffey et al.

(10) **Patent No.:** **US D592,138 S**

(45) **Date of Patent:** **** May 12, 2009**

(54) **POWER ADAPTER**

D525,208 S * 7/2006 Christianson D13/154
D570,772 S * 6/2008 Mahaffey et al. D13/110

(75) Inventors: **Robert Mahaffey**, Vancouver (CA);
John Hung, Vancouver (CA); **Ryan White**, San Francisco, CA (US)

* cited by examiner

Primary Examiner—Daniel D Bui
Assistant Examiner—Thomas J Johannes

(73) Assignee: **ACCO Brands USA LLC**, Lincolnshire, IL (US)

(74) *Attorney, Agent, or Firm*—Townsend and Townsend and Crew LLP

(**) Term: **14 Years**

(57) **CLAIM**

(21) Appl. No.: **29/304,032**

The ornamental design for a power adapter, as shown and described.

(22) Filed: **Feb. 22, 2008**

DESCRIPTION

(51) **LOC (9) Cl.** **13-03**

(52) **U.S. Cl.** **D13/123; D13/110**

(58) **Field of Classification Search** D13/110,
D13/123, 133, 146, 147, 153, 184, 199; D14/256;
439/11, 13, 344, 350, 357, 502, 638, 676
See application file for complete search history.

FIG. 1 is a top perspective view of a power adapter according to a first embodiment of our new design;

FIG. 2 is a bottom perspective view thereof;

FIG. 3 is a top plan view thereof;

FIG. 4 is a front elevation view thereof;

FIG. 5 is a rear elevation view thereof;

FIG. 6 is a bottom plan view thereof;

FIG. 7 is a left side elevation view thereof; and,

FIG. 8 is a right side elevation view thereof.

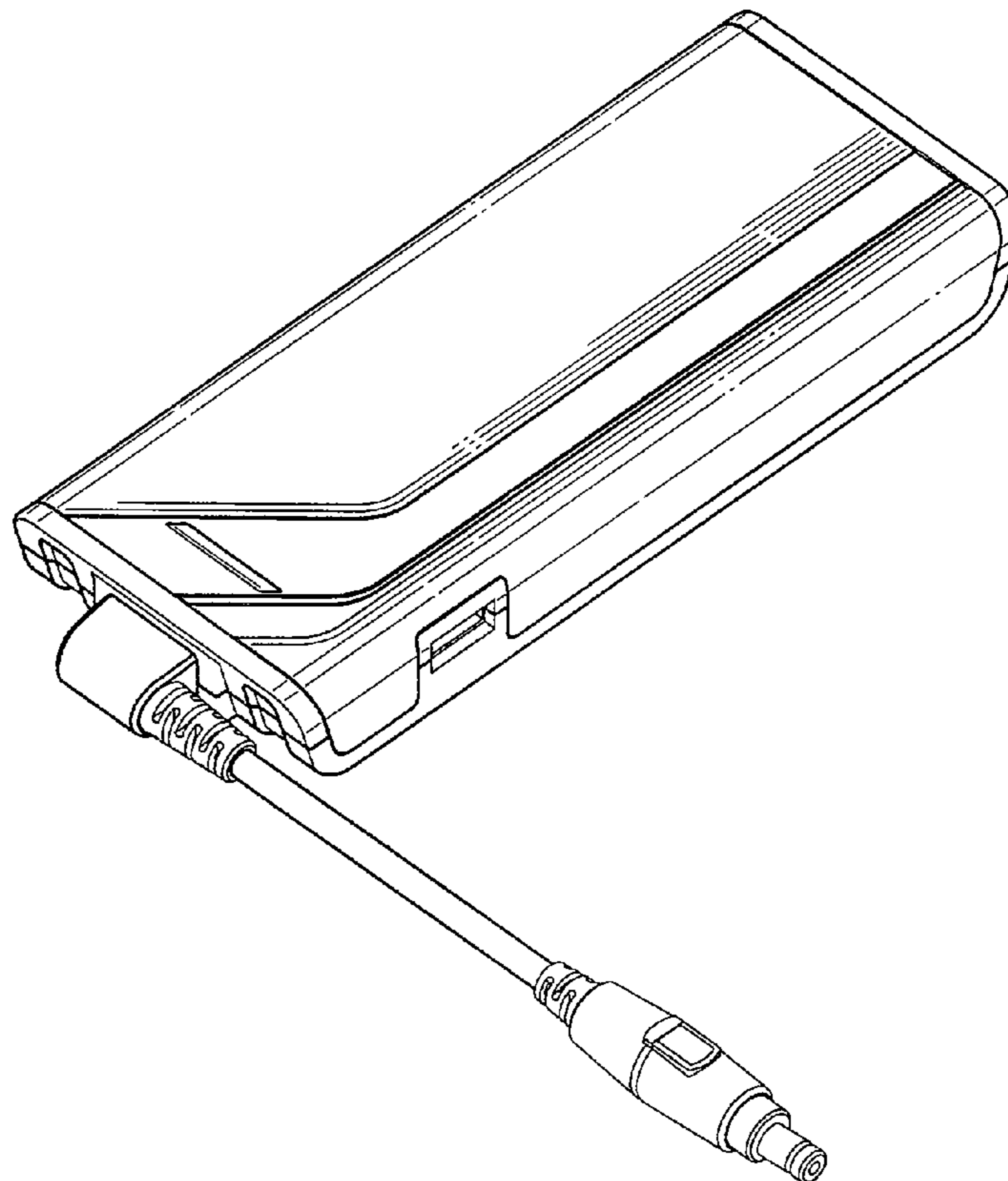
The broken lines are for illustrative purposes only and form no part of the claimed design.

(56) **References Cited**

U.S. PATENT DOCUMENTS

D363,700	S	*	10/1995	Buongervino et al.	D13/147
D383,115	S	*	9/1997	Nagele et al.	D13/110
D413,574	S	*	9/1999	Goto	D13/146
D449,579	S	*	10/2001	Goto	D13/133
D468,258	S	*	1/2003	Guo et al.	D13/107
D484,853	S	*	1/2004	Alviar	D13/110
D503,679	S	*	4/2005	Andre et al.	D13/110

1 Claim, 4 Drawing Sheets



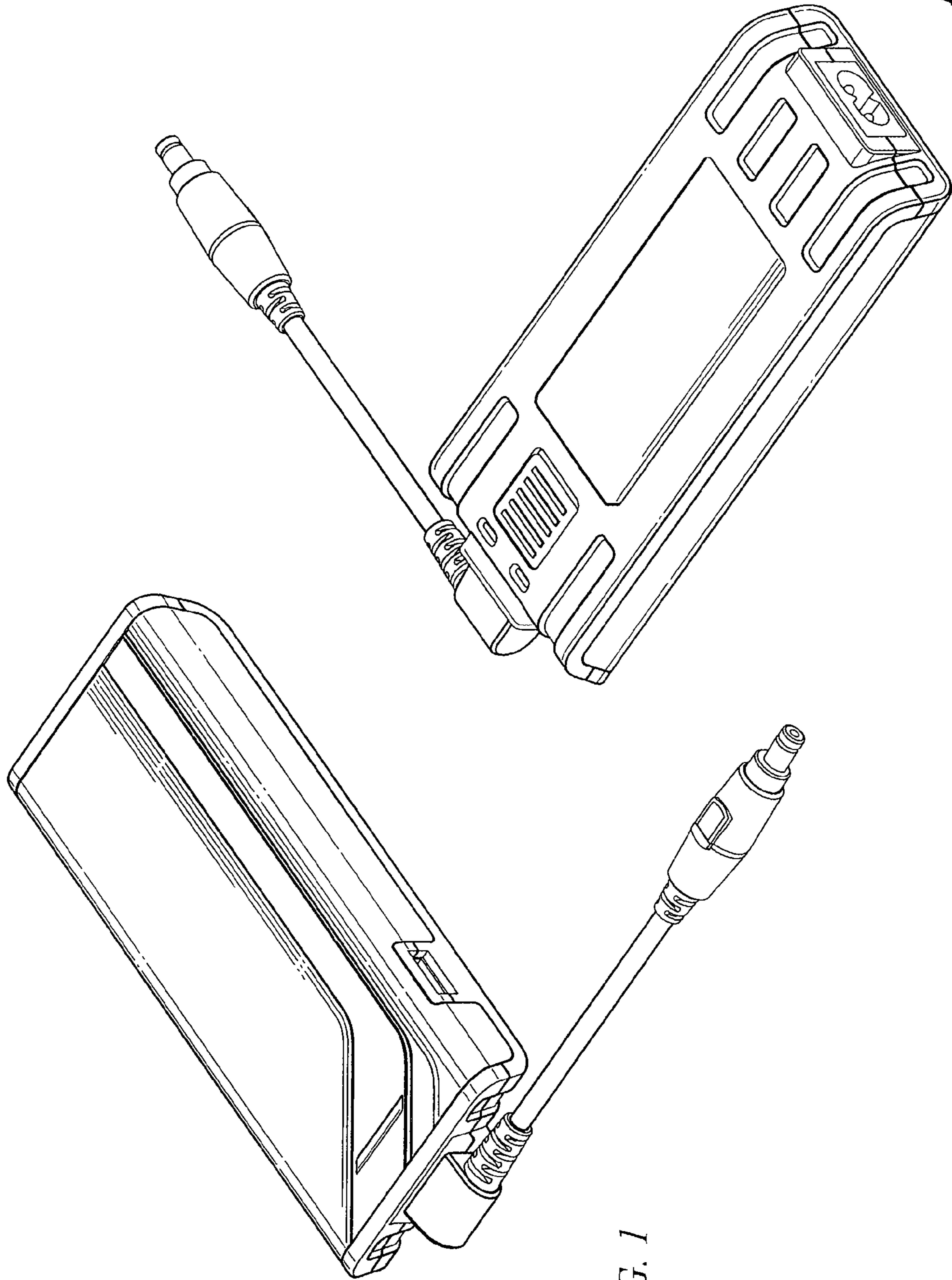


FIG. 1

FIG. 2

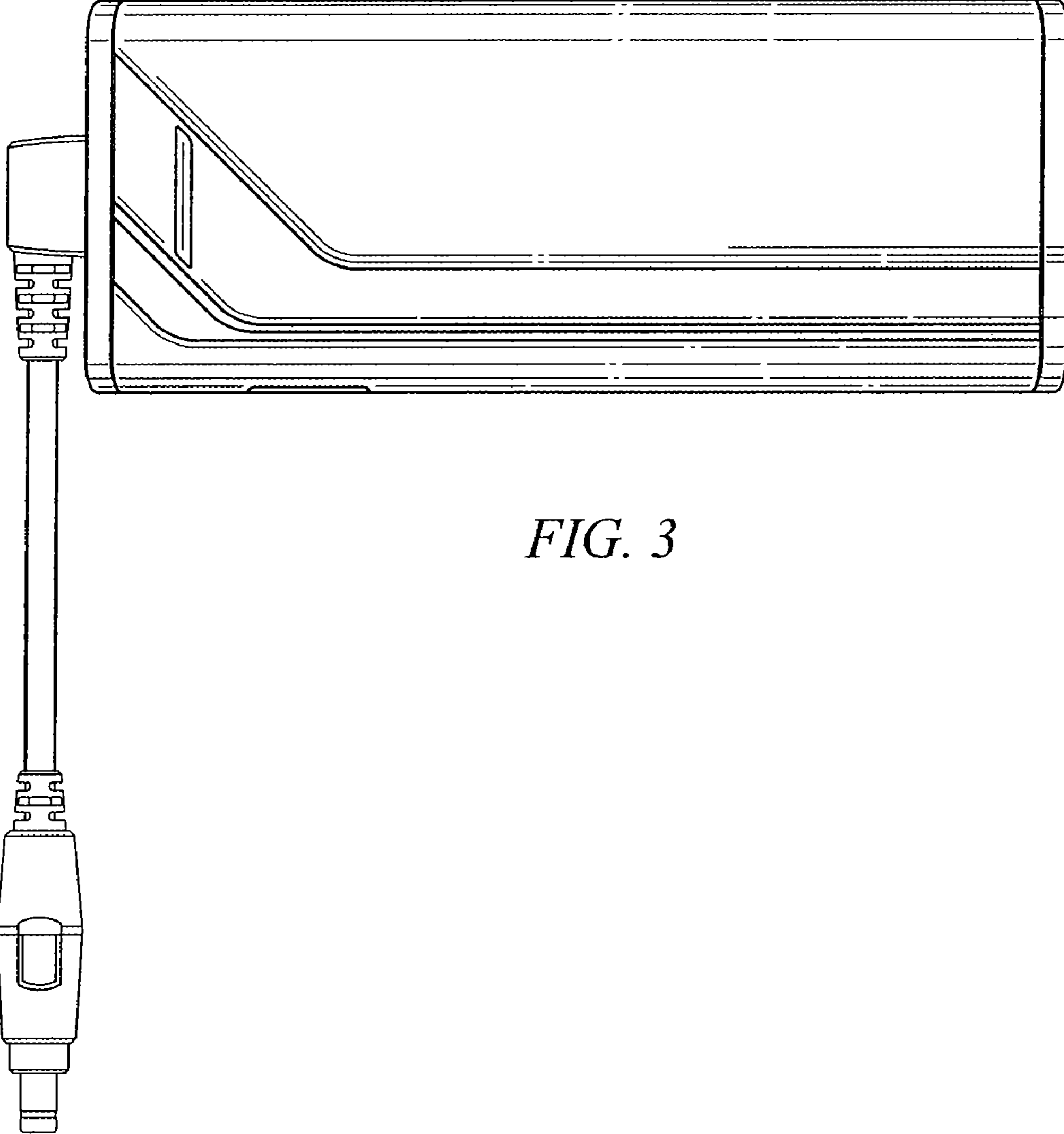


FIG. 3

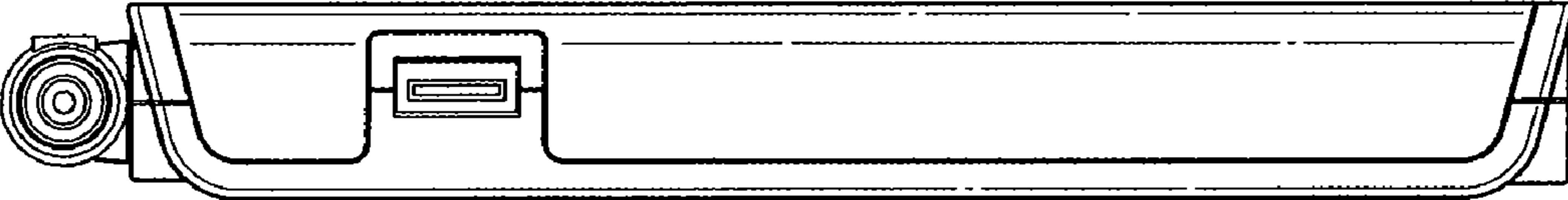


FIG. 4

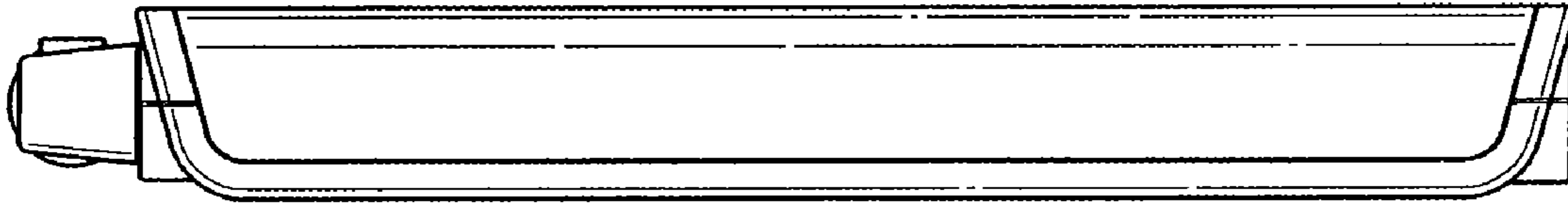


FIG. 5

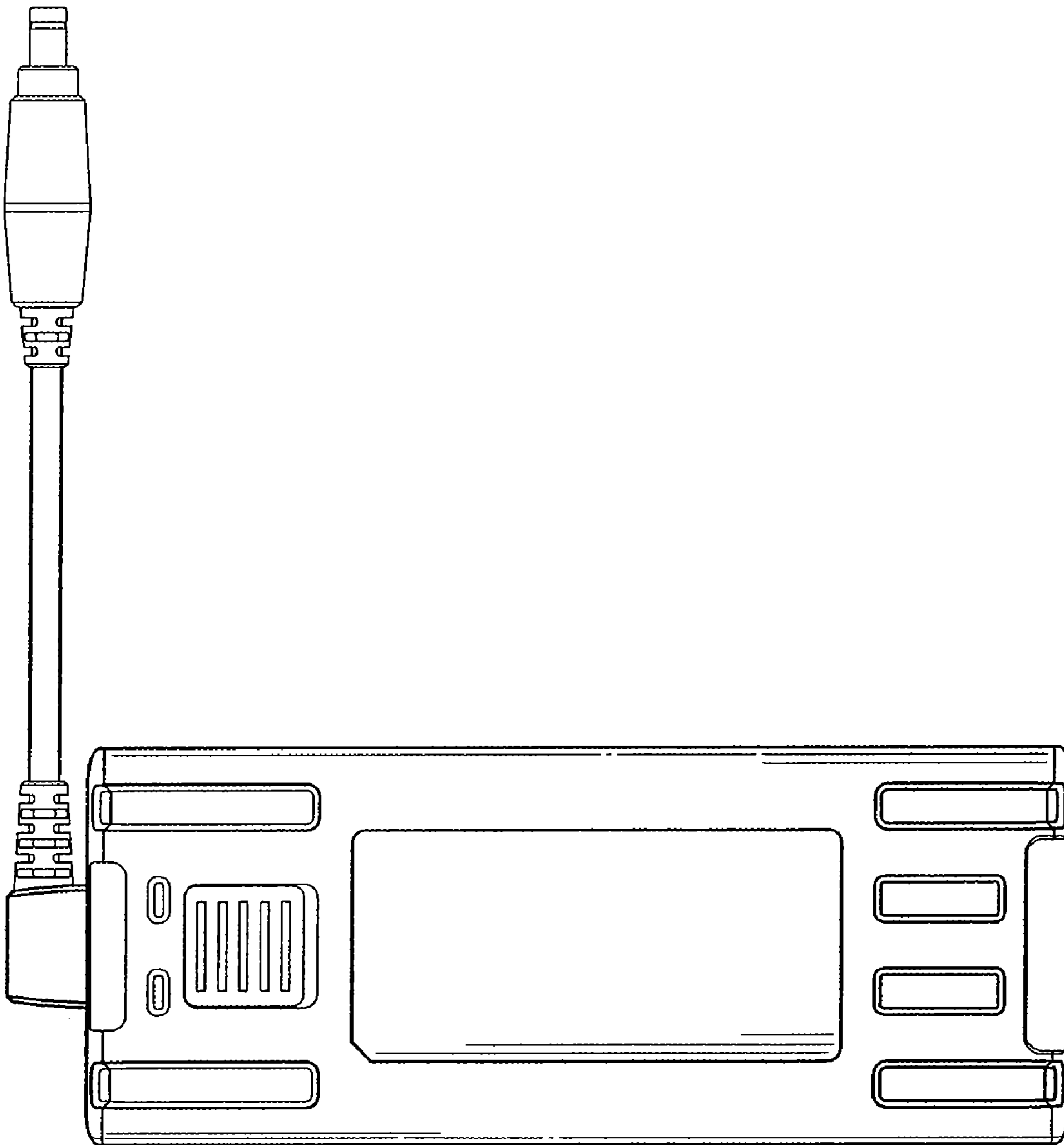


FIG. 6

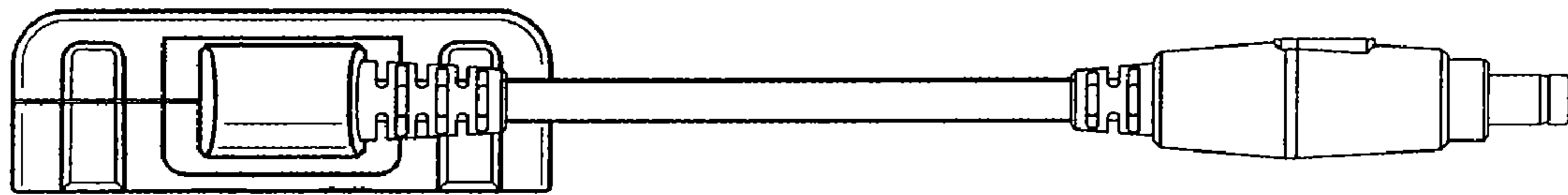


FIG. 7

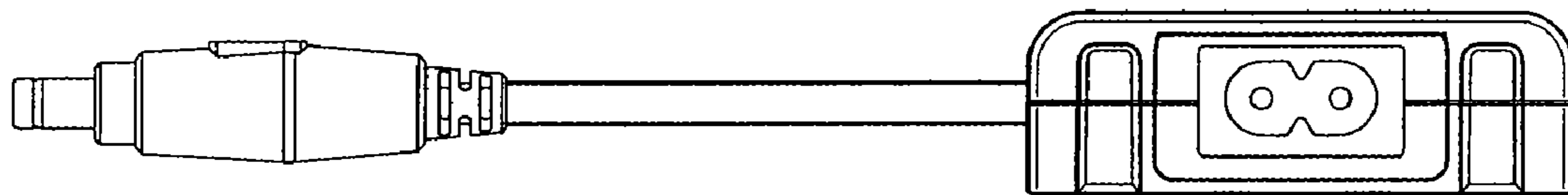


FIG. 8