



US00D592135S

(12) **United States Design Patent**
Hung

(10) **Patent No.:** **US D592,135 S**

(45) **Date of Patent:** **** May 12, 2009**

(54) **BATTERY CONNECTOR**

(75) Inventor: **Pei Chiao Hung**, Tu-Cheng (TW)

(73) Assignee: **Cheng Uei Precision Industry Co., Ltd.**, Taipei Hsien (TW)

(**) Term: **14 Years**

(21) Appl. No.: **29/300,447**

(22) Filed: **Mar. 27, 2008**

(51) **LOC (9) Cl.** **13-02**

(52) **U.S. Cl.** **D13/120**

(58) **Field of Classification Search** D13/120,
D13/133, 146–147, 184, 199; 439/108, 577,
439/630, 660, 680, 773, 862

See application file for complete search history.

(56) **References Cited**

U.S. PATENT DOCUMENTS

5,535,513	A *	7/1996	Frantz	29/882
D410,434	S *	6/1999	Wu	D13/147
D419,522	S *	1/2000	Kamagai	D13/120
D427,975	S *	7/2000	Zhu et al.	D13/147
6,361,359	B1 *	3/2002	Du et al.	439/500
D473,192	S *	4/2003	Ouchi et al.	D13/147
6,551,143	B2 *	4/2003	Tanaka et al.	439/682
D504,401	S *	4/2005	Wang et al.	D13/147
D517,486	S *	3/2006	Riku	D13/147
D522,968	S *	6/2006	Hu et al.	D13/147
D522,971	S *	6/2006	Shang-Yen et al.	D13/147

D571,725	S *	6/2008	Hung et al.	D13/120
2002/0049000	A1 *	4/2002	Tanaka et al.	439/660

* cited by examiner

Primary Examiner—Jennifer Rivard

Assistant Examiner—Rosemary K Tarcza

(74) *Attorney, Agent, or Firm*—Rosenberg, Klein & Lee

(57) **CLAIM**

The ornamental design for a battery connector, as shown and described.

DESCRIPTION

FIG. 1 is a perspective view of a battery connector showing my new design;

FIG. 2 is a front elevational view thereof;

FIG. 3 is a rear elevational view thereof;

FIG. 4 is a left side elevational view thereof;

FIG. 5 is a right side elevational view thereof;

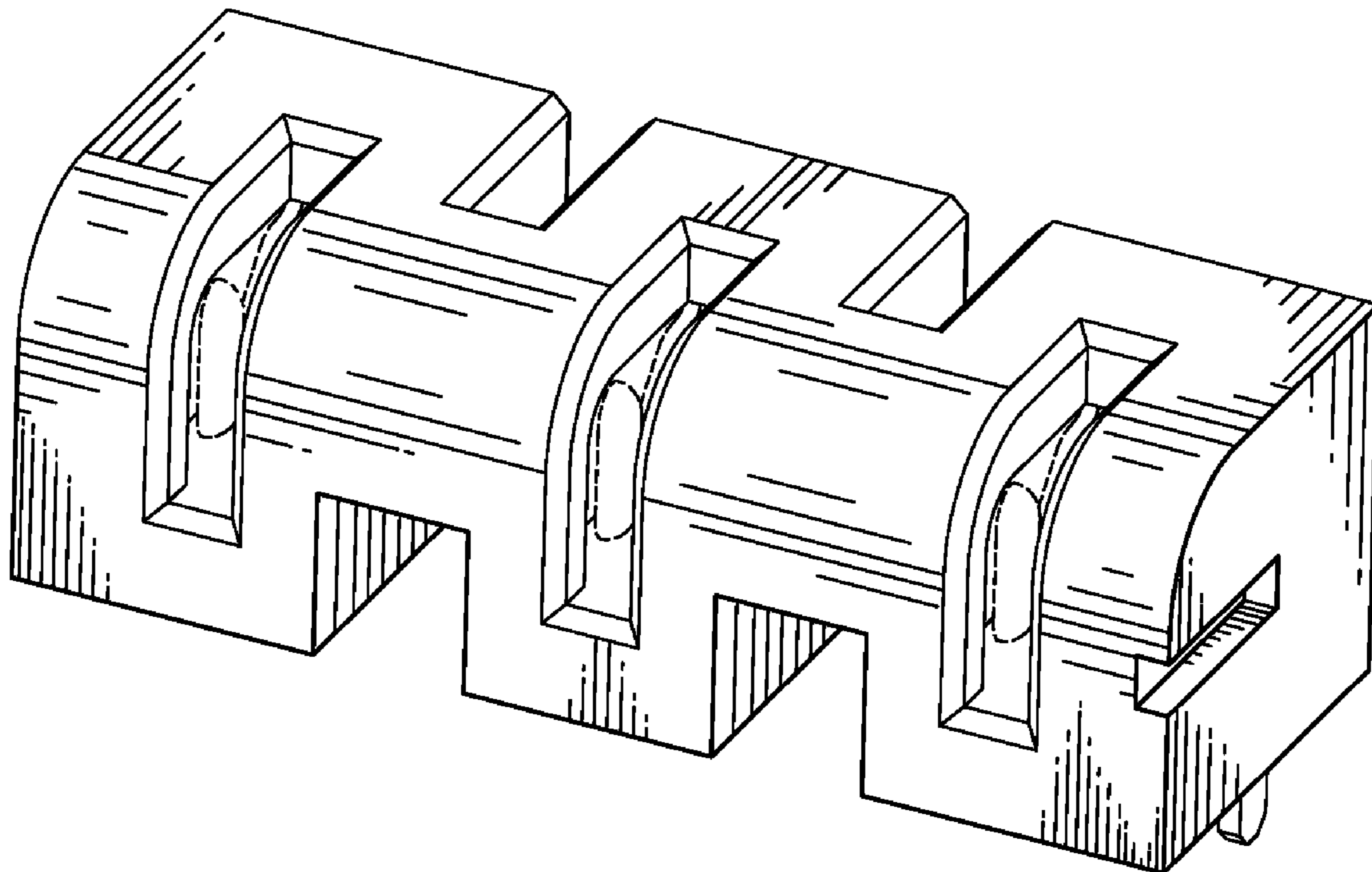
FIG. 6 is a top plan view thereof;

FIG. 7 is a bottom plan view thereof; and,

FIG. 8 is another perspective view of the battery connector showing our new design.

The broken lines shown in the drawings are included for the purpose of illustrating environmental structure and forms no part of the claimed design.

1 Claim, 8 Drawing Sheets



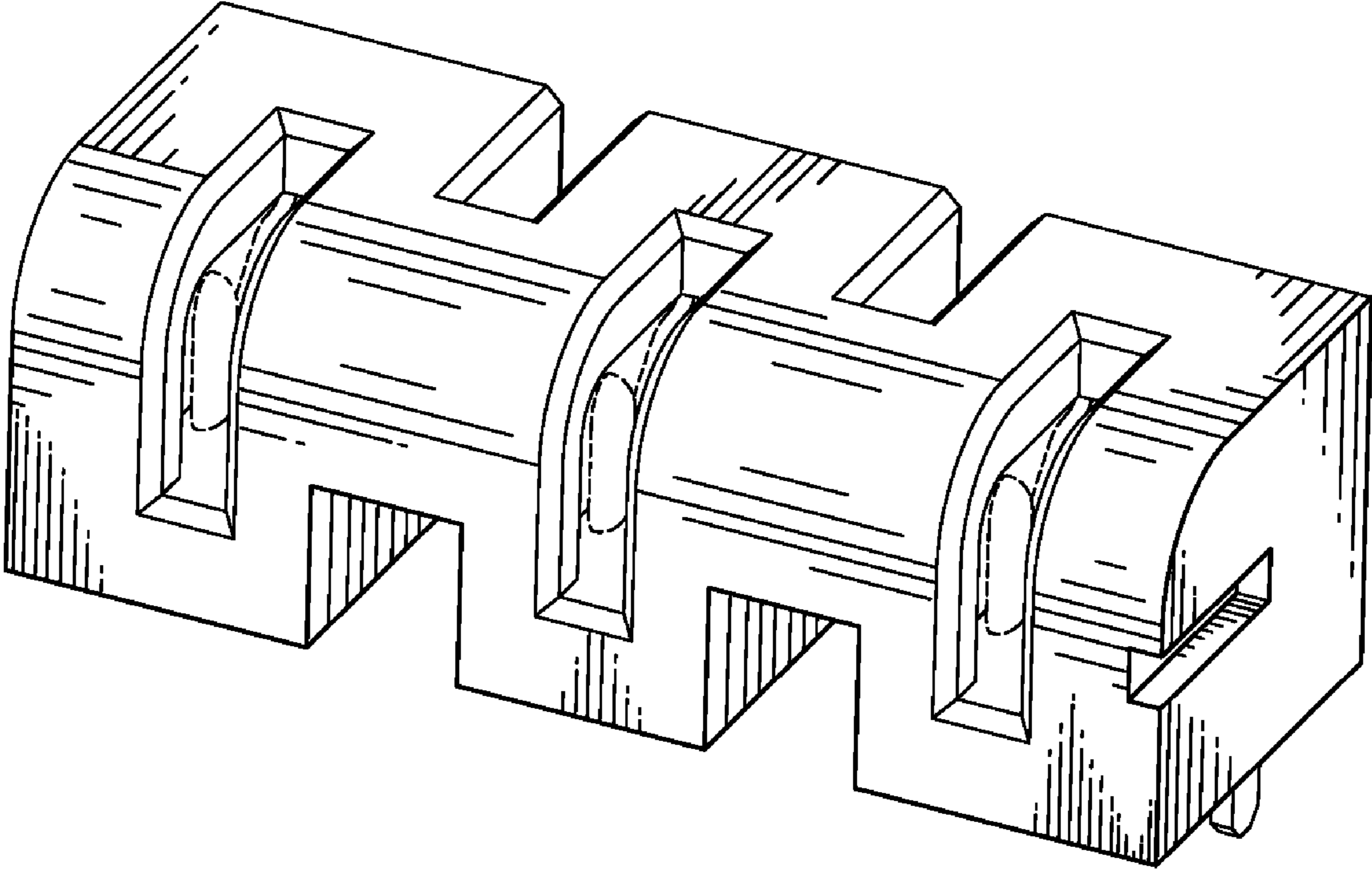


FIG. 1

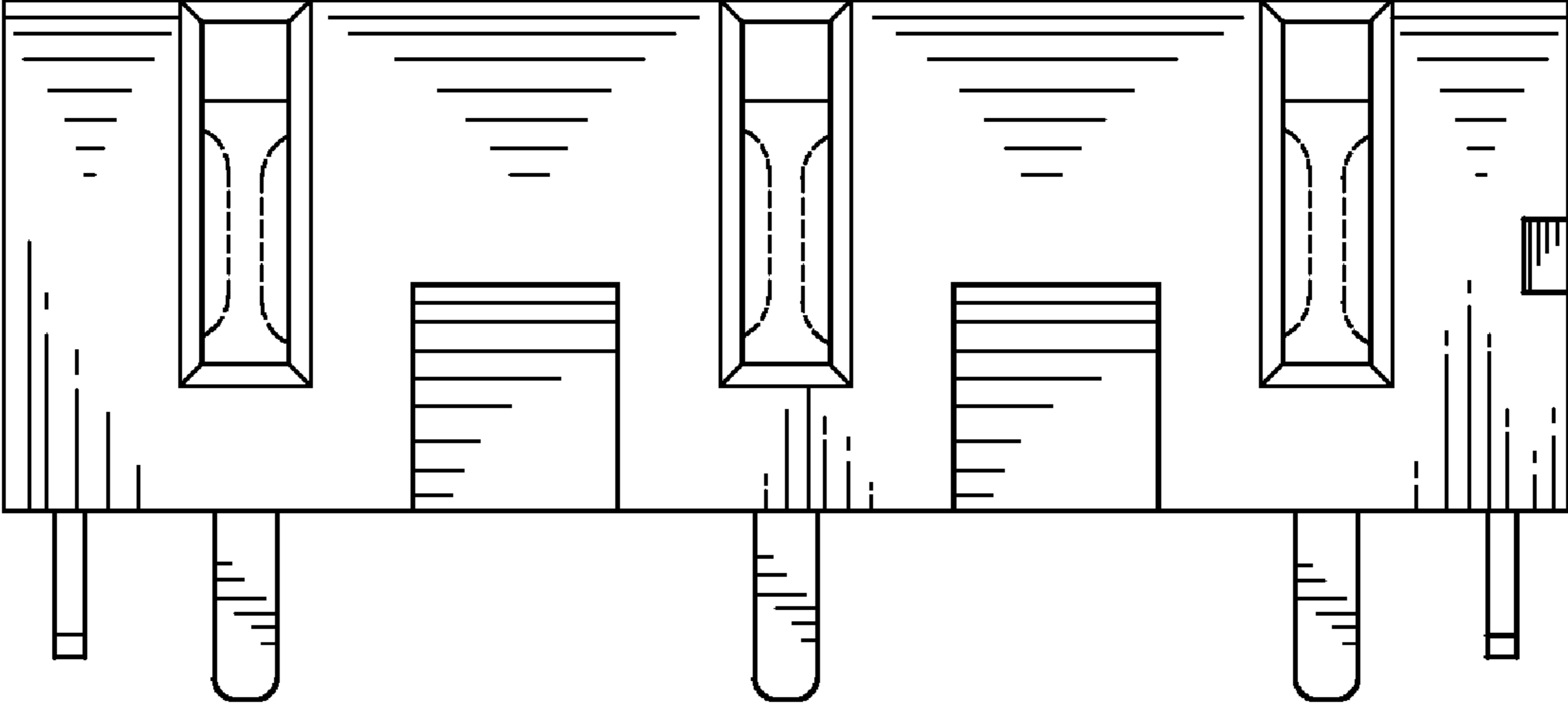


FIG. 2

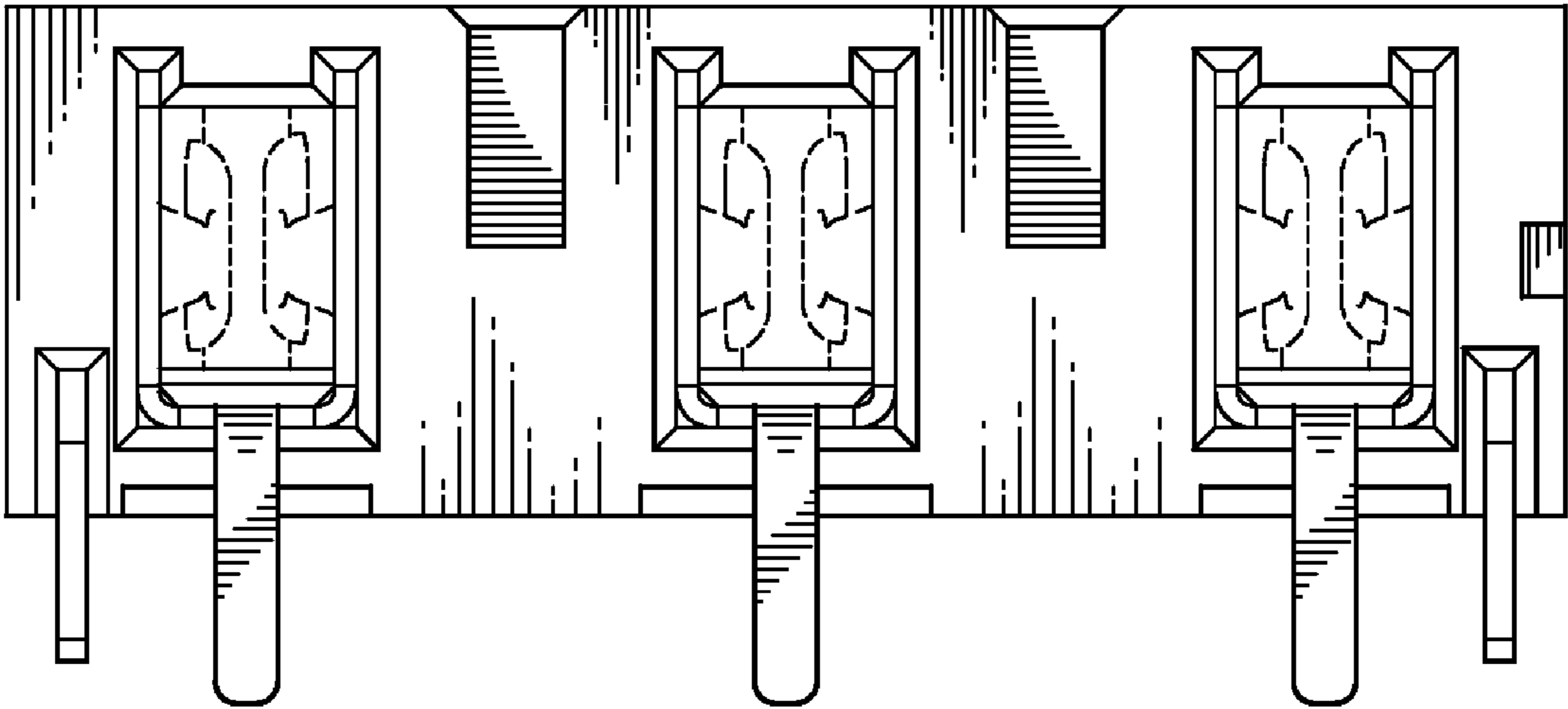


FIG. 3

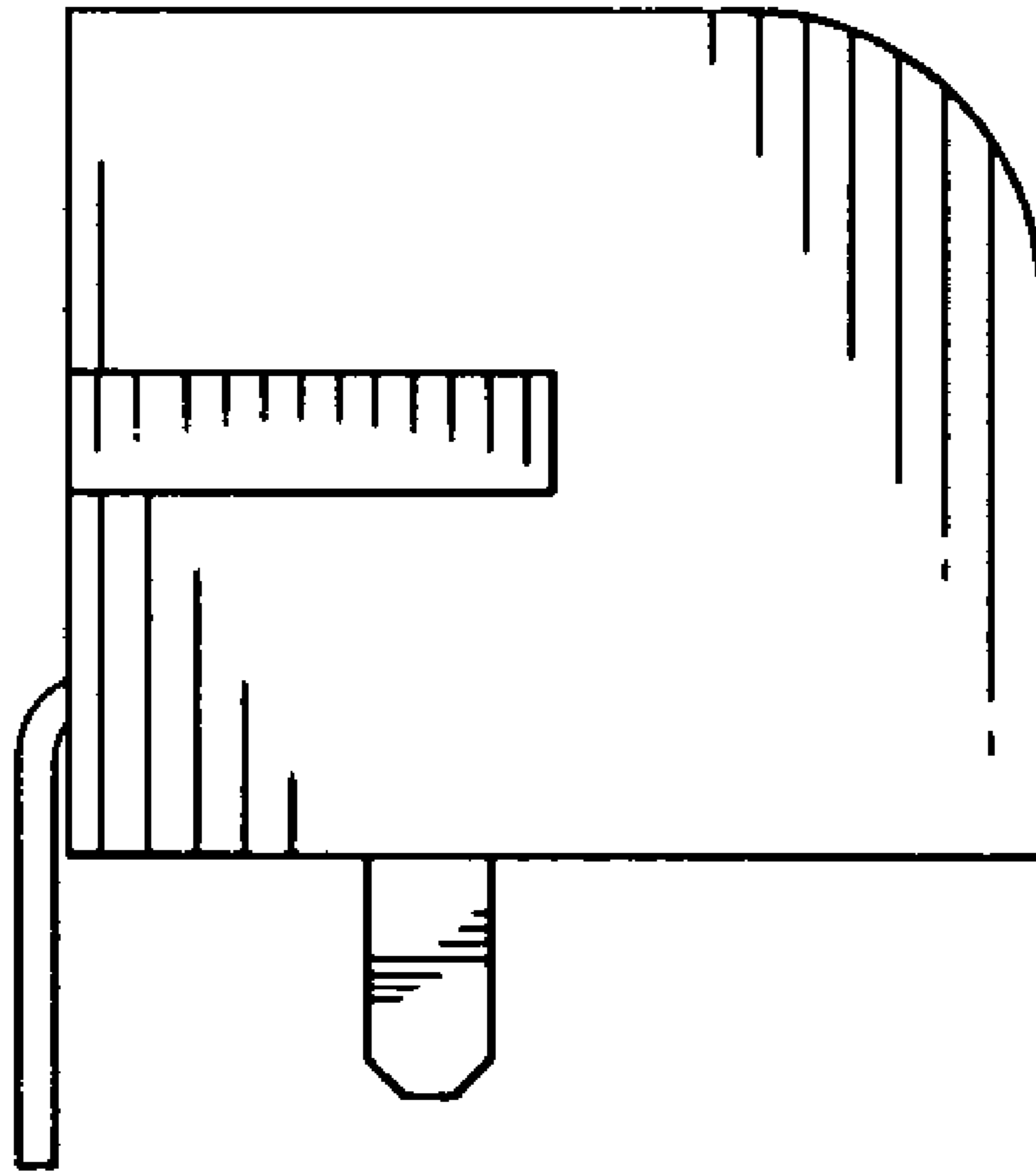


FIG. 4

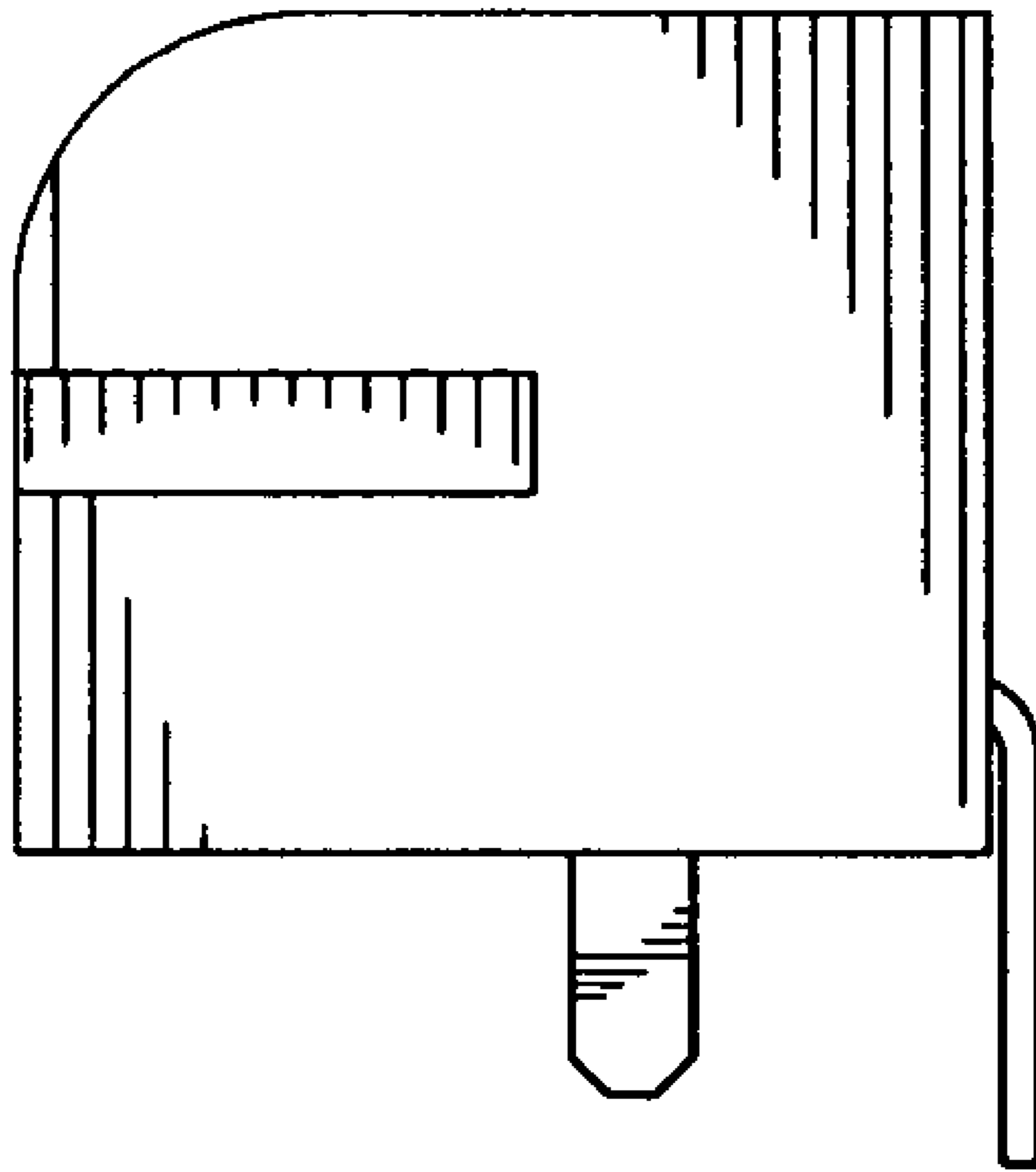


FIG. 5

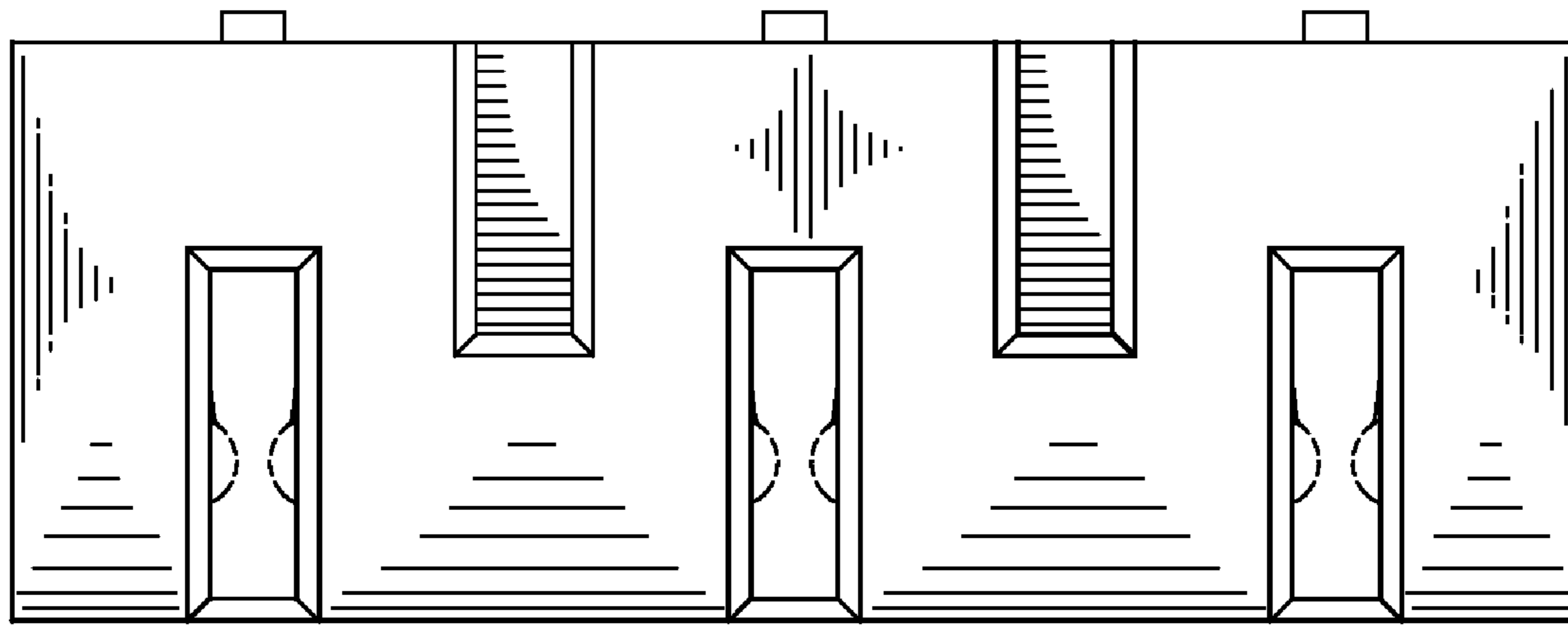


FIG. 6

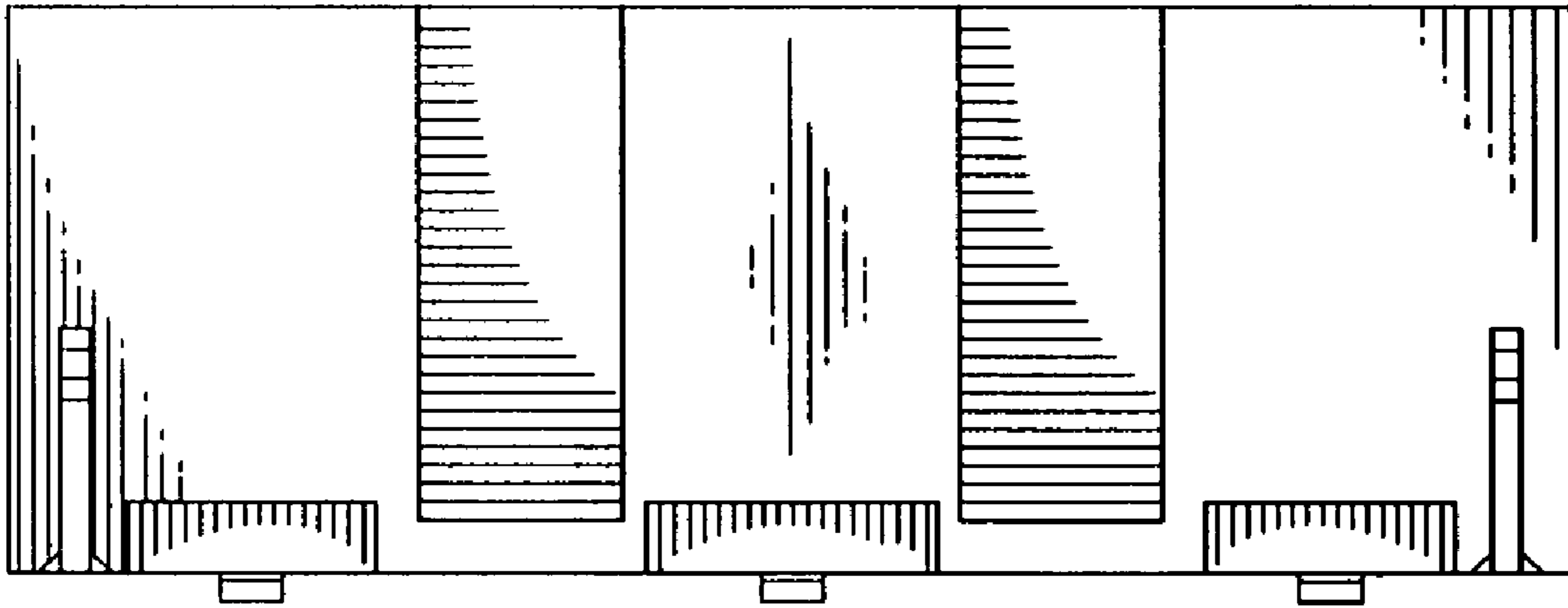


FIG. 7

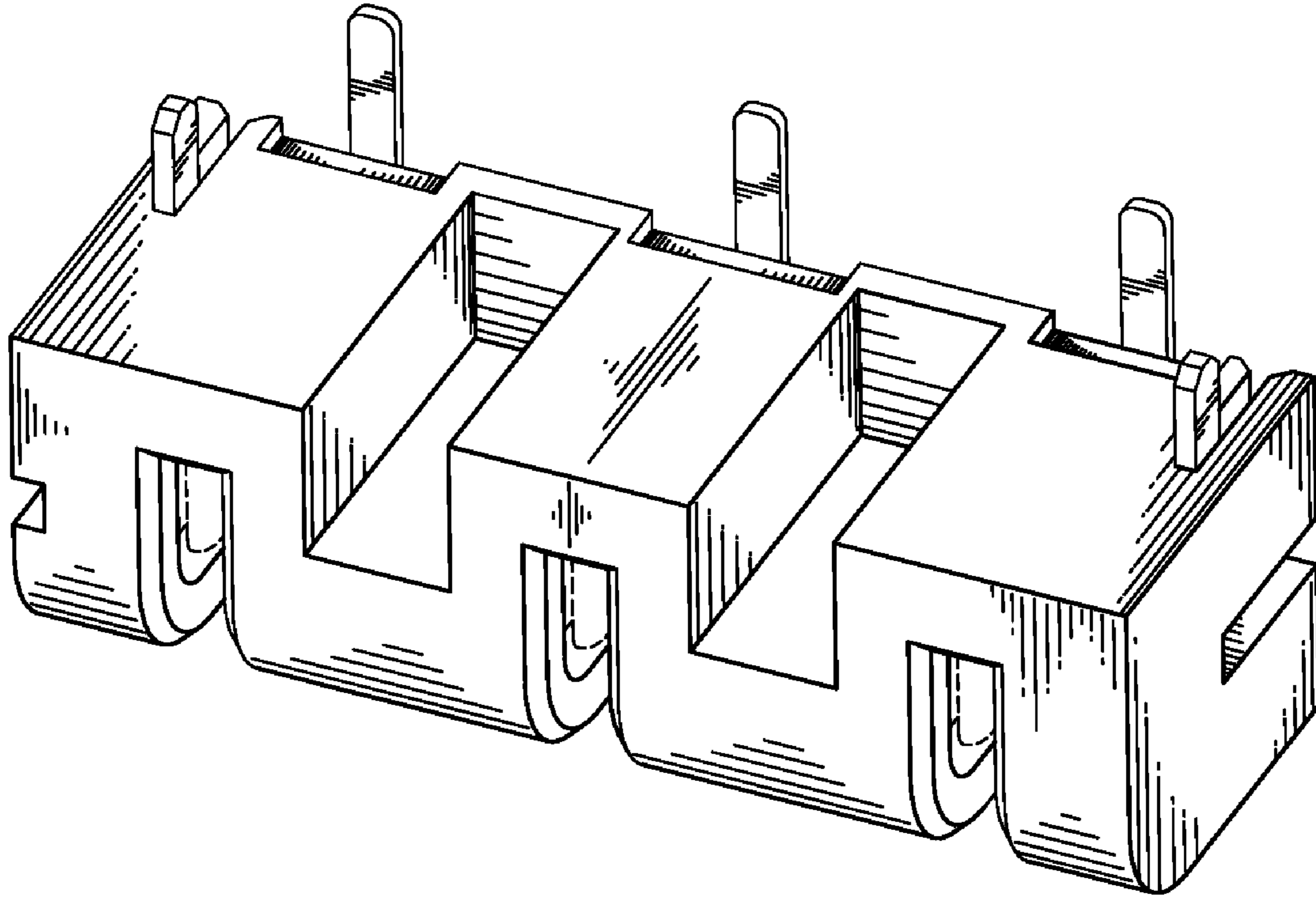


FIG. 8