



US00D592134S

(12) **United States Design Patent**  
**Brockington**

(10) **Patent No.:** **US D592,134 S**

(45) **Date of Patent:** **\*\* May 12, 2009**

(54) **BATTERY BOX**

(75) Inventor: **William T. Brockington**, Kernersville, NC (US)

(73) Assignee: **Camco Manufacturing Inc.**, Greensboro, NC (US)

(\*\*) Term: **14 Years**

(21) Appl. No.: **29/294,123**

(22) Filed: **Dec. 21, 2007**

(51) **LOC (9) Cl.** ..... **13-02**

(52) **U.S. Cl.** ..... **D13/119**

(58) **Field of Classification Search** ..... D13/102-106,  
D13/110, 118-119, 184; 429/96-100, 163,  
429/176

See application file for complete search history.

(56) **References Cited**

**U.S. PATENT DOCUMENTS**

3,963,972 A *	6/1976	Todd	.....	320/112
D252,354 S	7/1979	Uyeda		
D298,029 S *	10/1988	Foster	.....	D13/119
6,367,646 B1	4/2002	Hoagland et al.		
D495,994 S	9/2004	Arakelian		
D499,070 S	11/2004	Lavington		
D517,479 S	3/2006	Schemm		
D517,987 S	3/2006	Castagnola et al.		
D517,988 S	3/2006	Ihde et al.		
D562,229 S *	2/2008	Peters	.....	D13/103

**OTHER PUBLICATIONS**

Ref. No. 1, 2003 Tempo Products catalog on Tempo website (www.tempoproducts.com), 2 pgs., Part Nos. 280300 & 280320 on p. 2.  
Ref. No. 2, Noco Product catalog on Noco website (www.noco.biz), 2 pgs, cite all battery boxes on p. 2 of Ref. No. 1, Nov. 27, 2007.

Ref. No. 3, Battery Box U1, P/N 120170, Quickcable website (www.quickcable.com), Nov. 27, 2007.

Ref. No. 4, Battery Box 24, P/N 120171, Quickcable website (www.quickcable.com), Nov. 27, 2007.

Ref. No. 5, Battery Box 27, P/N 120172, Quickcable website (www.quickcable.com), Nov. 27, 2007.

Ref. No. 6, Battery Box Standard, Attwood website (www.attwoodmarine.com), 2 pgs., Nov. 27, 2007.

Ref. No. 7, Battery Box Power Guard 27, Attwood website (www.attwoodmarine.com), 2 pgs., Nov. 27, 2007.

\* cited by examiner

*Primary Examiner*—Jennifer Rivard

*Assistant Examiner*—Rosemary K Tarcza

(57) **CLAIM**

The ornamental design for a battery box, as shown and described.

**DESCRIPTION**

FIG. 1 is a front elevational view of a battery box embodying the design;

FIG. 2 is a rear elevational view thereof;

FIG. 3 is a right elevational view thereof;

FIG. 4 is a left elevational view thereof;

FIG. 5 is a top plan view thereof;

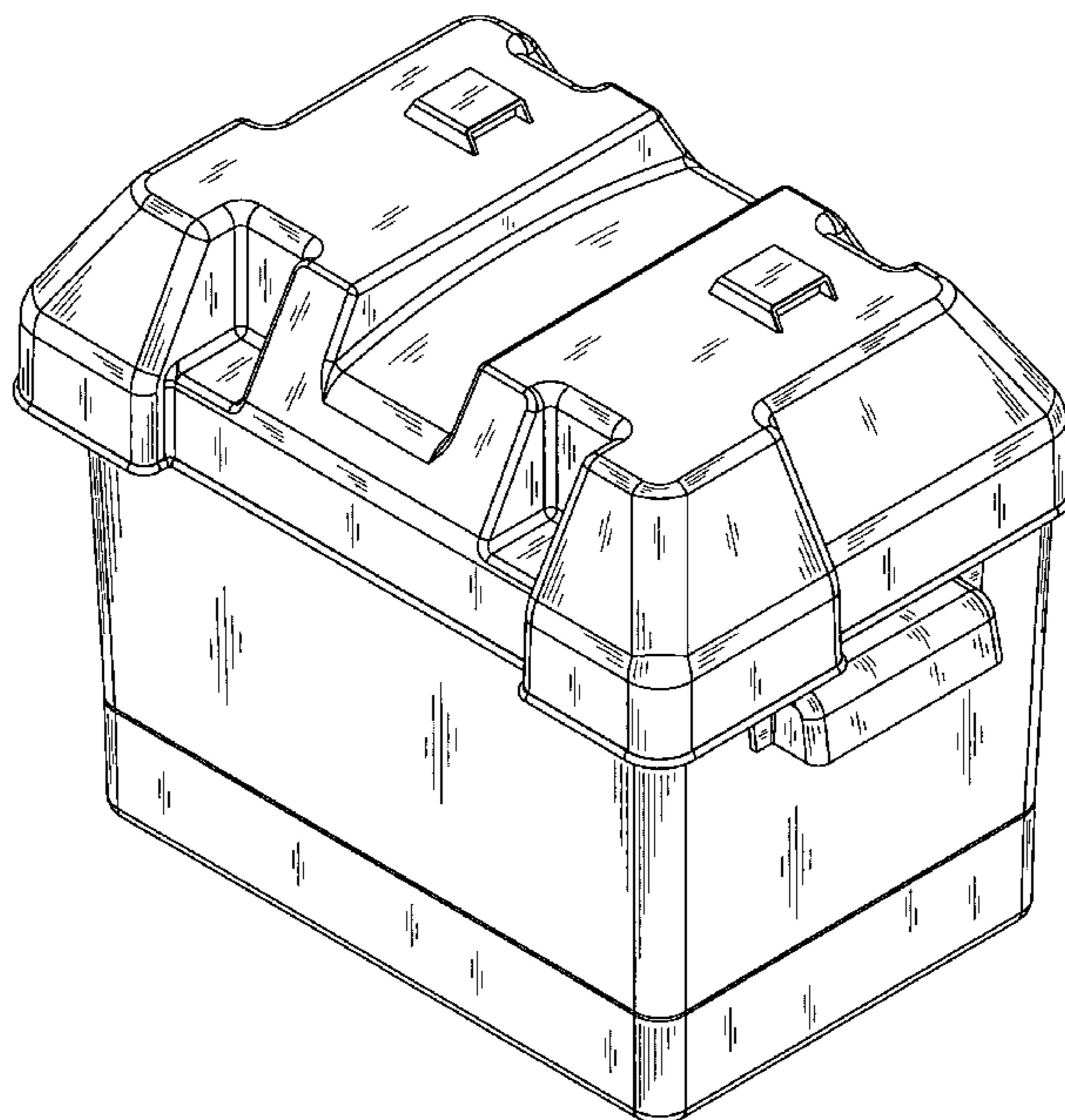
FIG. 6 is a bottom plan view thereof;

FIG. 7 is a slightly reduced top, right front perspective view of the same invention as in FIG. 1;

FIG. 8 is a slightly reduced bottom, left front perspective view of the same invention as in FIG. 1; and,

FIG. 9 is a slightly reduced rear, right top perspective view of the same invention as in FIG. 1.

**1 Claim, 9 Drawing Sheets**



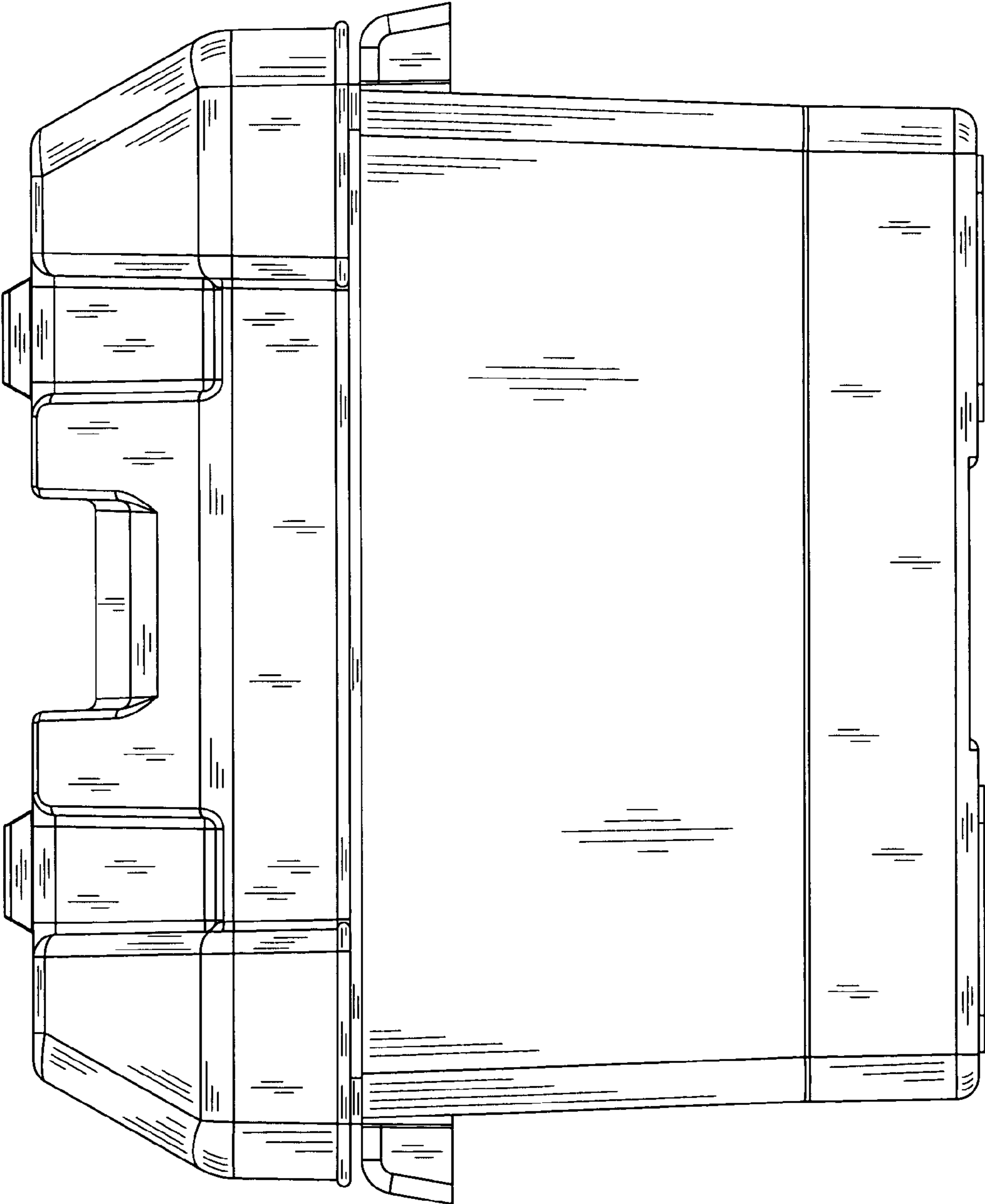


FIG. 1

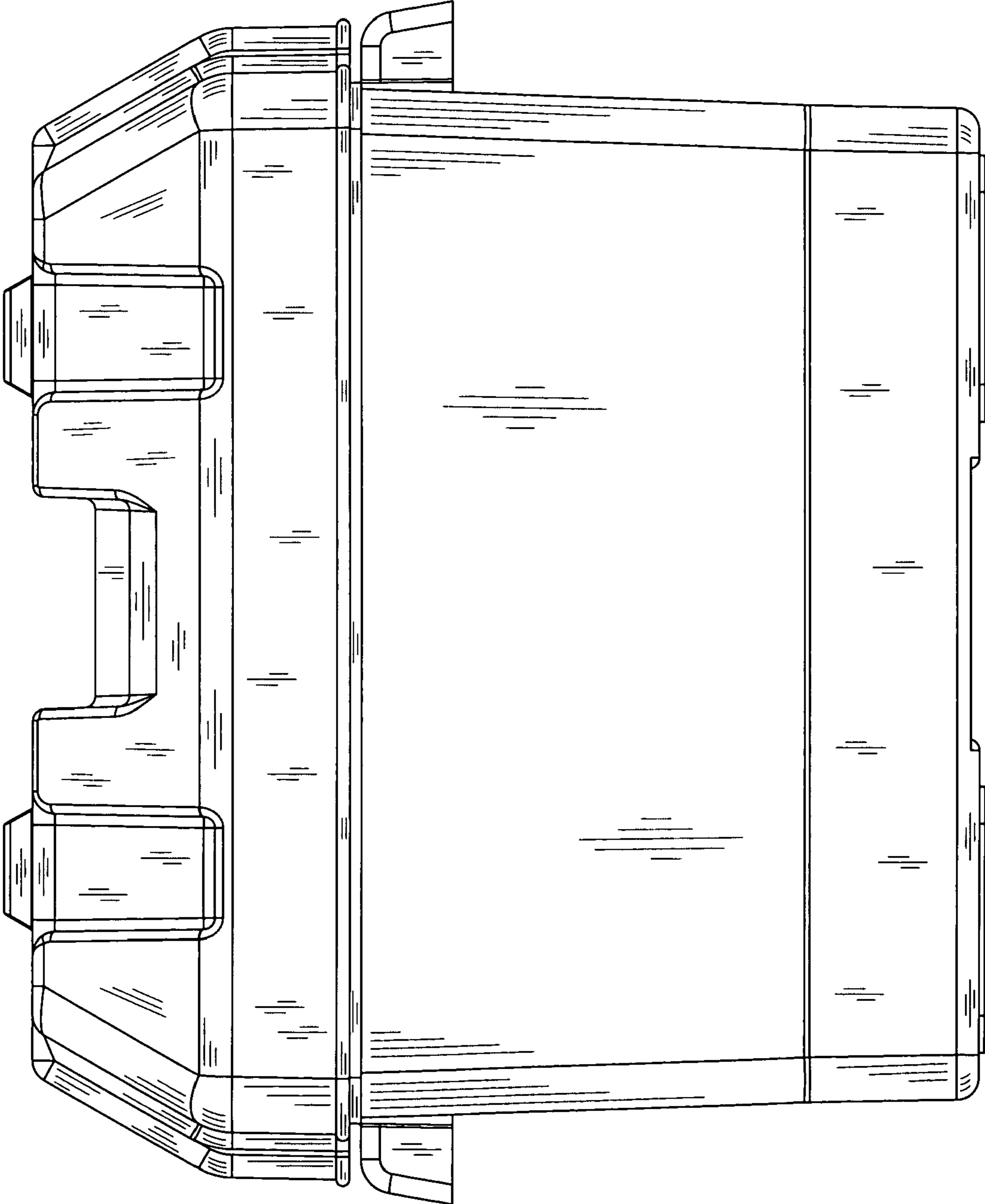


FIG. 2

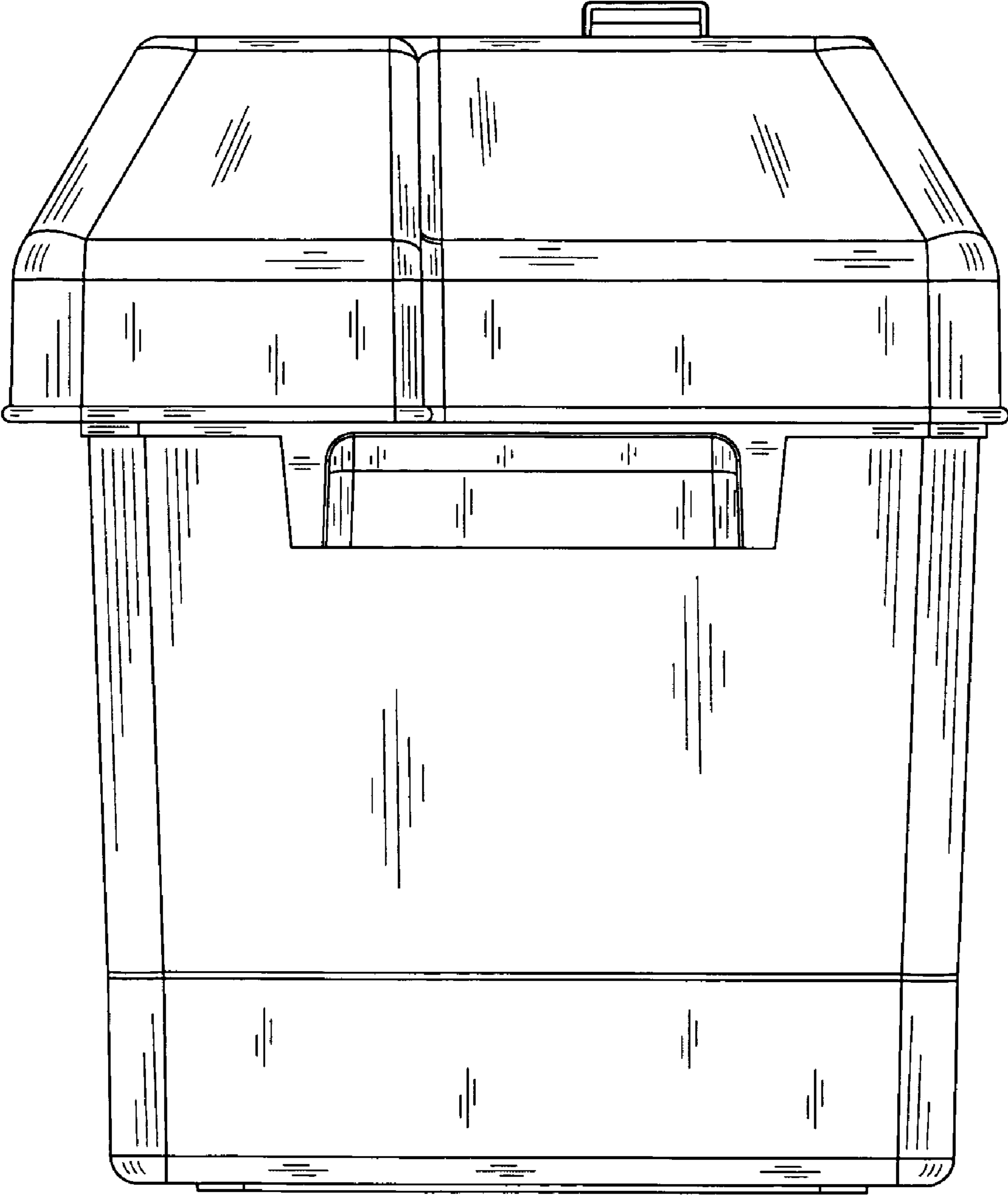


FIG. 3

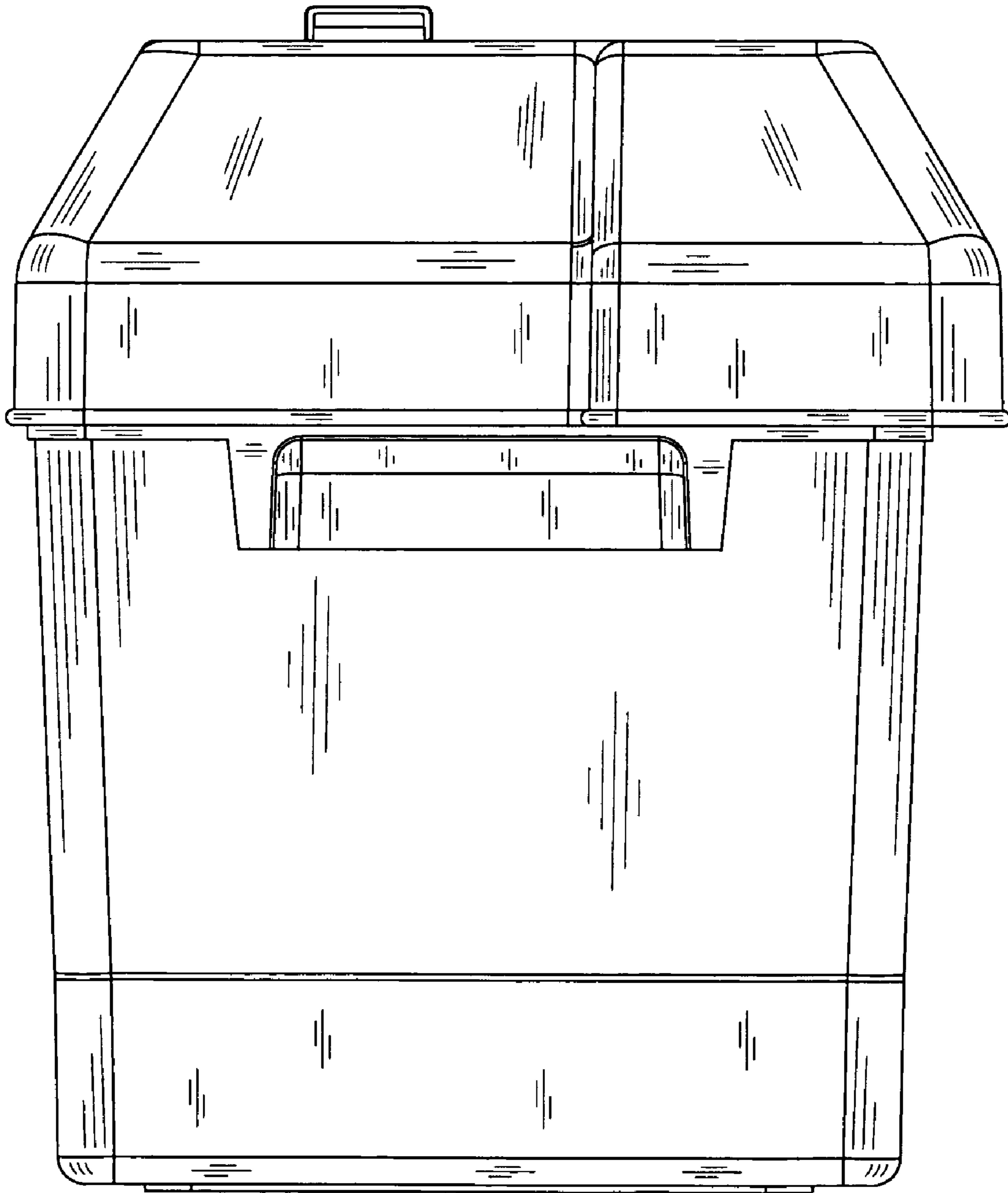


FIG. 4

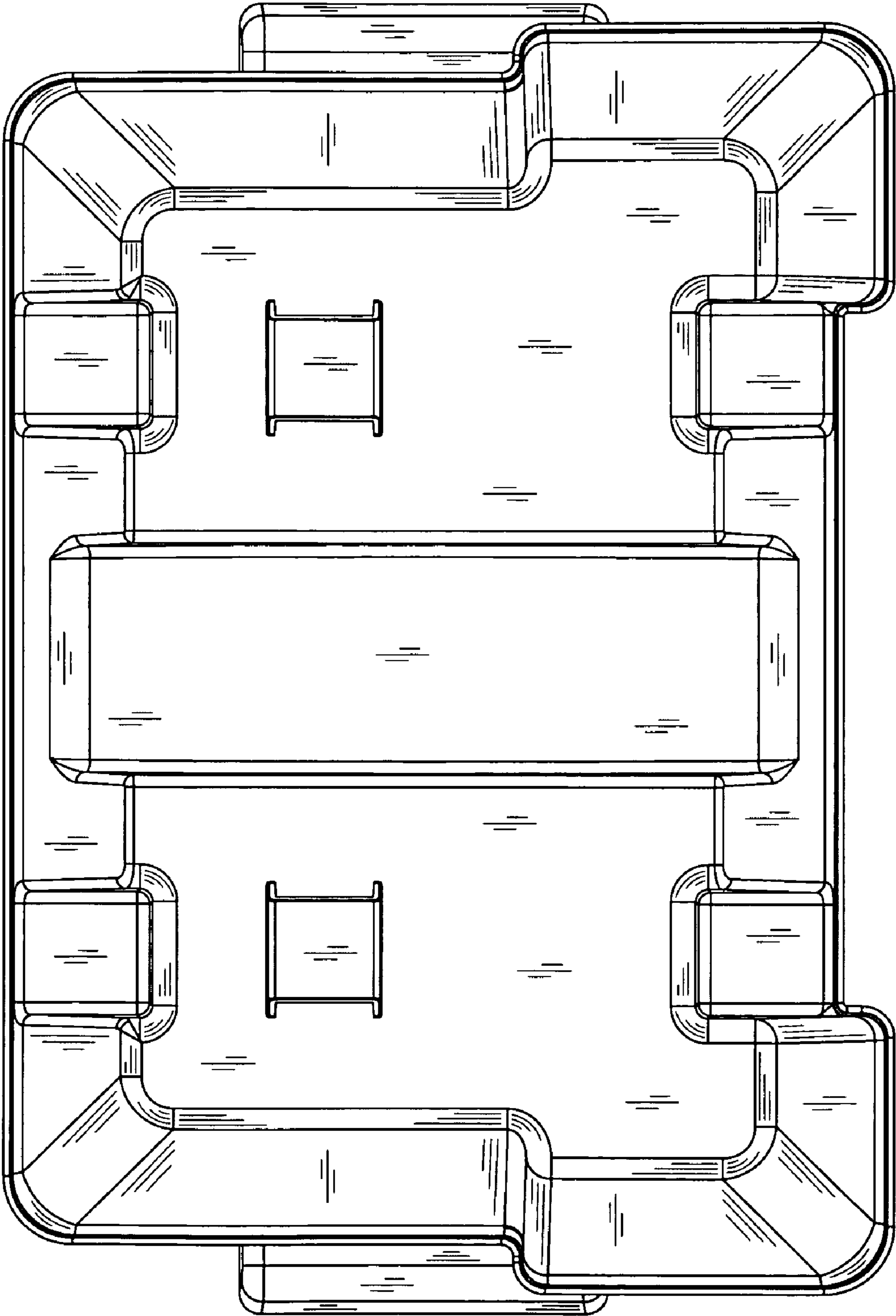


FIG. 5



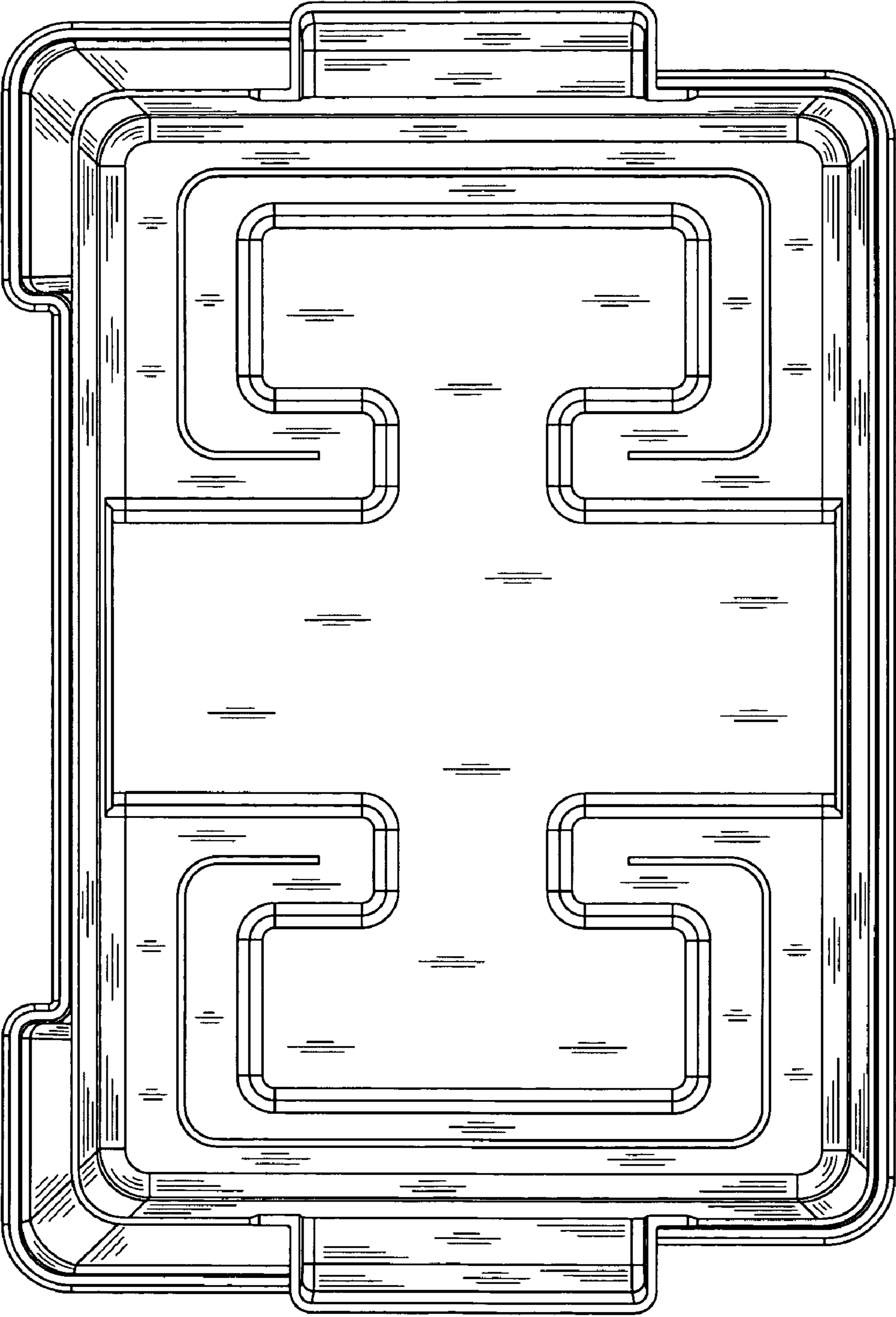


FIG. 6

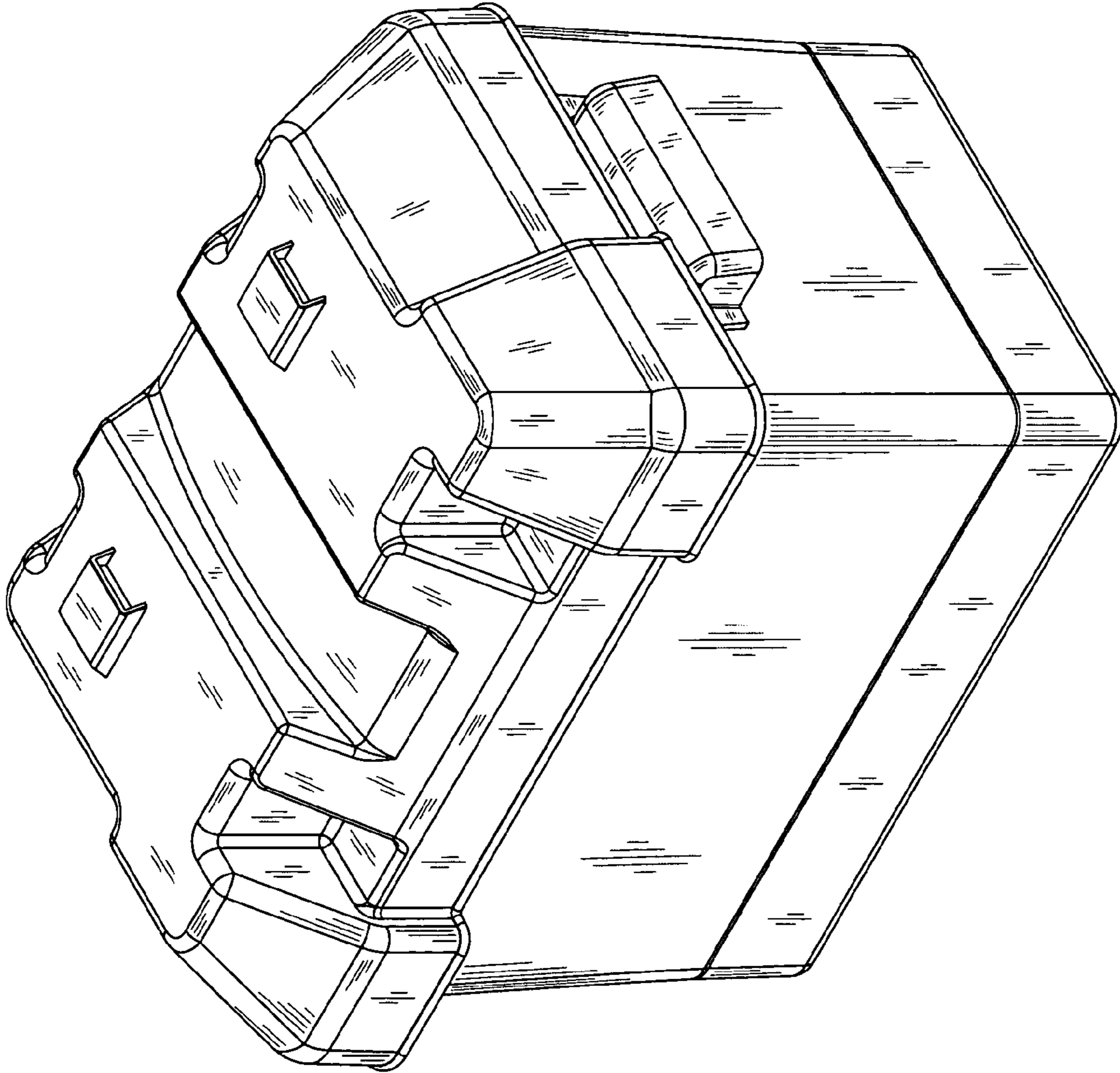


FIG. 7



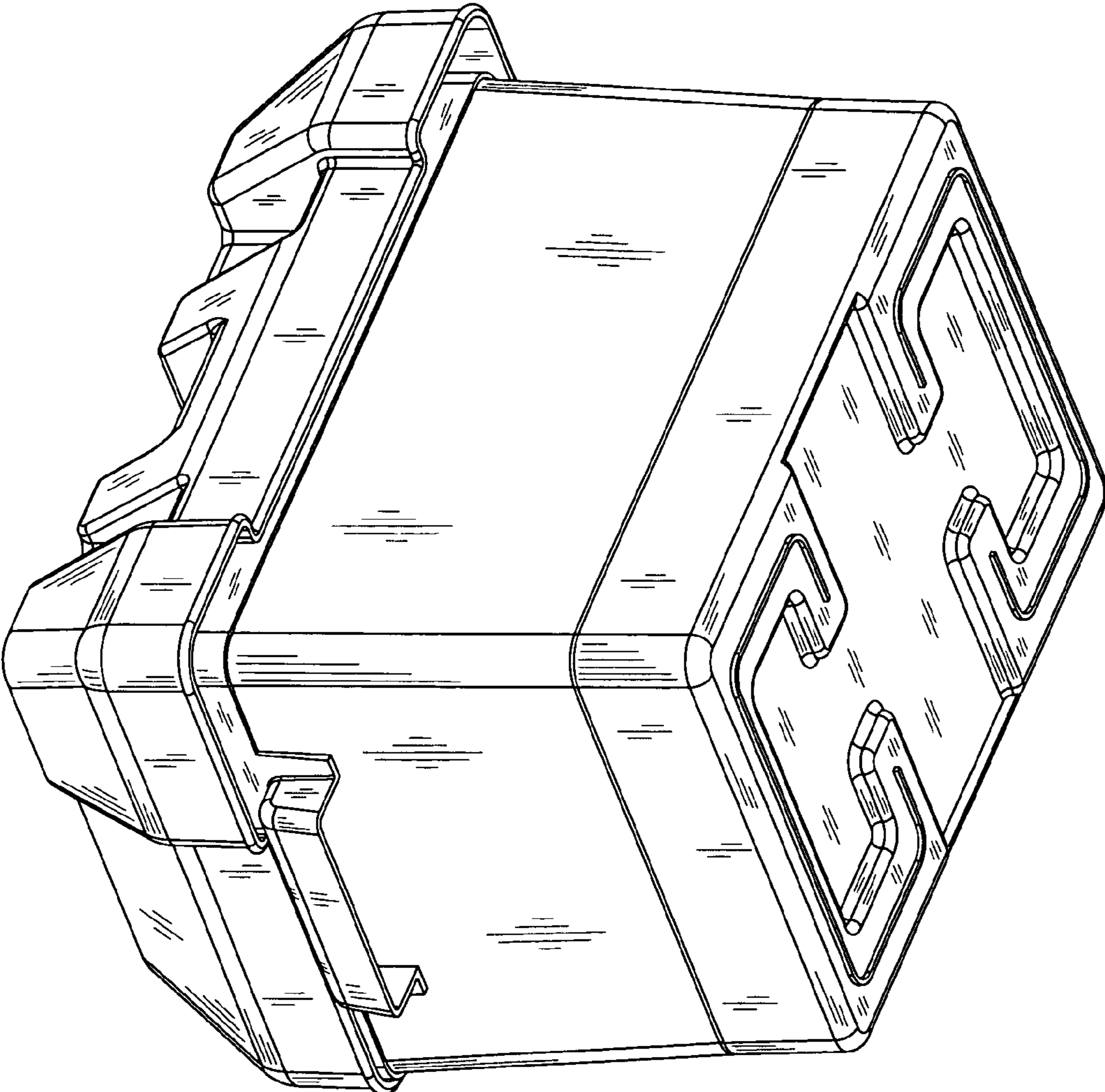


FIG. 8

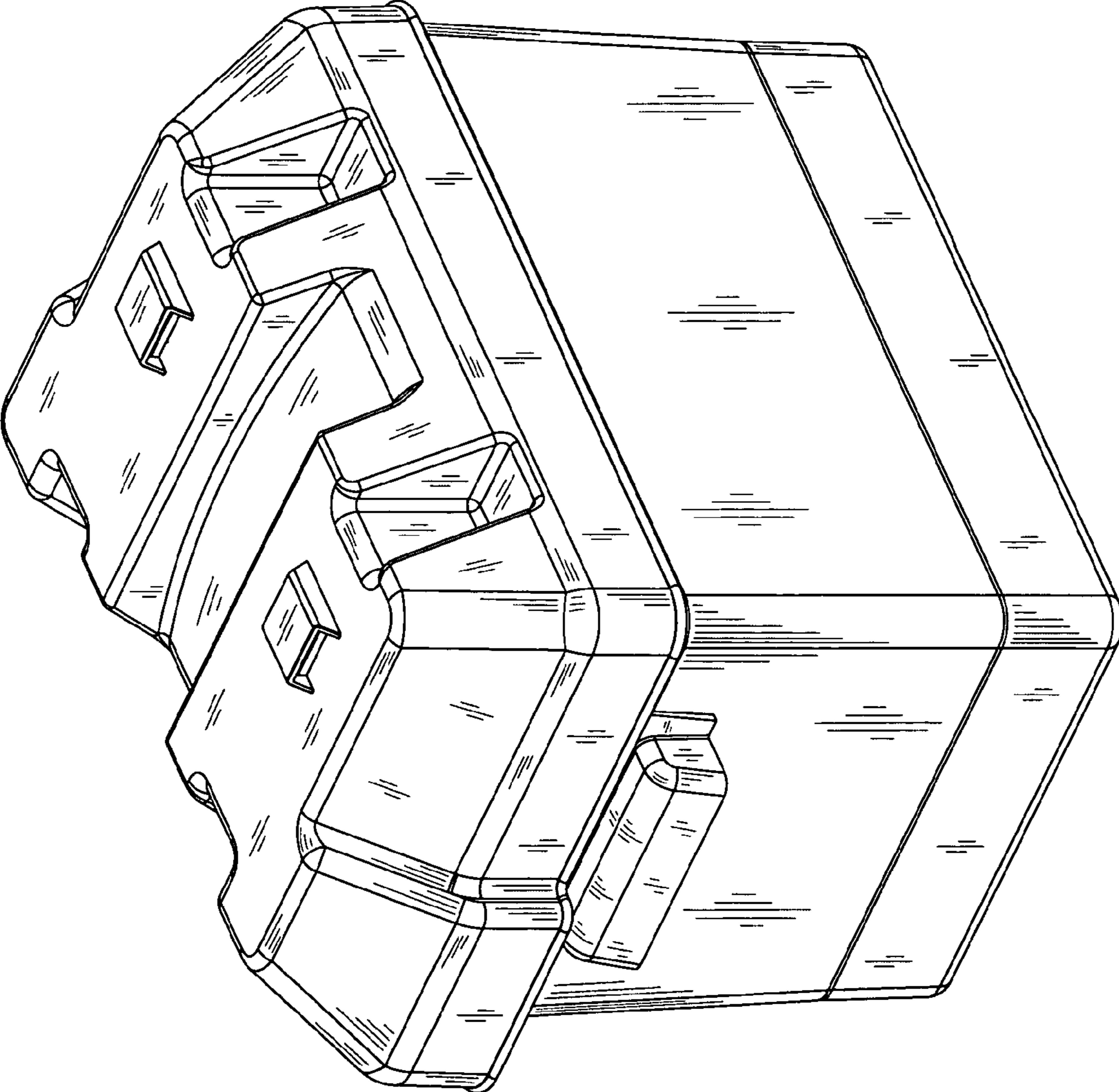


FIG. 9