



US00D592133S

(12) **United States Design Patent**  
**Dong**

(10) **Patent No.:** **US D592,133 S**

(45) **Date of Patent:** **\*\* May 12, 2009**

(54) **TRAVEL CHARGER FOR A CELLULAR TELEPHONE**

(75) Inventor: **Hong Dong**, Diamond Bar, CA (US)

(73) Assignee: **Valor Communication, Inc.**, City of Industry, CA (US)

(\*\*) Term: **14 Years**

(21) Appl. No.: **29/301,712**

(22) Filed: **Mar. 13, 2008**

(51) **LOC (9) Cl.** ..... **13-02**

(52) **U.S. Cl.** ..... **D13/108**

(58) **Field of Classification Search** ..... D13/107-110,  
D13/118-119, 137.1-139.8, 184; D14/251,  
D14/253, 432, 434; 320/107-115; 307/64,  
307/85, 150, 151; 363/143, 146; 439/152-160,  
439/484, 692, 694

See application file for complete search history.

(56) **References Cited**

**U.S. PATENT DOCUMENTS**

- D347,617 S \* 6/1994 Tattari ..... D13/107
- D394,641 S \* 5/1998 Seragnoli ..... D13/108
- D396,446 S \* 7/1998 Kettula et al. .... D13/107
- D406,259 S \* 3/1999 Lindahl ..... D13/110
- D425,480 S \* 5/2000 Jokinen ..... D13/107

- D432,497 S \* 10/2000 Totsuka et al. .... D13/110
- D452,842 S \* 1/2002 Kajiwara et al. .... D13/110
- D481,674 S \* 11/2003 Sade et al. .... D13/108
- D486,125 S \* 2/2004 Lim ..... D13/108
- D517,985 S \* 3/2006 Hirabayashi et al. .... D13/110
- D555,590 S \* 11/2007 Dong ..... D13/110
- D562,766 S \* 2/2008 Yang ..... D13/110

\* cited by examiner

*Primary Examiner*—Cathron C Brooks

*Assistant Examiner*—Rosemary K Tarcza

(74) *Attorney, Agent, or Firm*—Thomas I. Rozsa

(57) **CLAIM**

The ornamental design for a travel charger for a cellular telephone, as shown and described.

**DESCRIPTION**

FIG. 1 is a perspective view of a travel charger for a cellular telephone, showing my new design;

FIG. 2 is a front elevational view;

FIG. 3 is a rear elevational view;

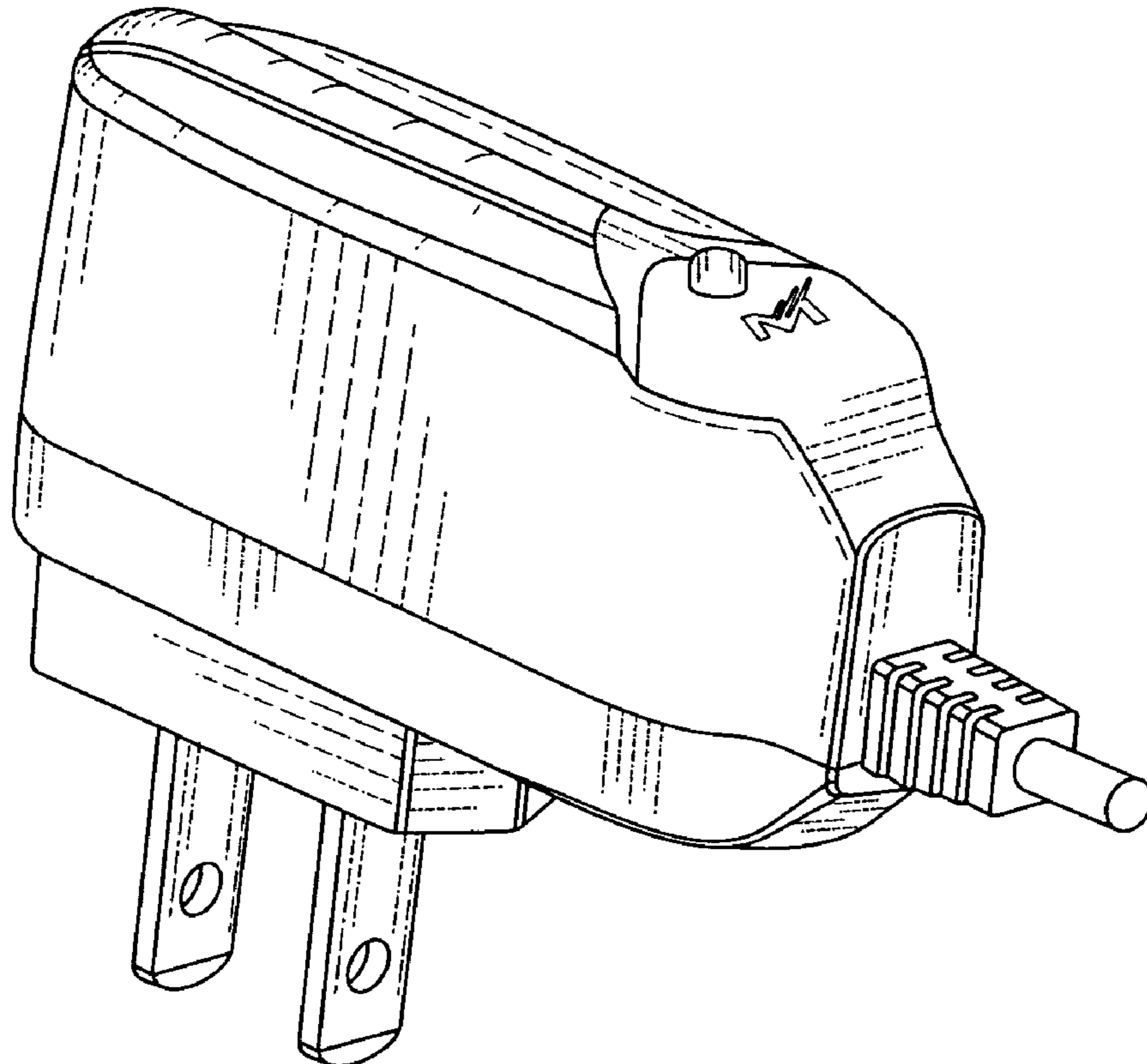
FIG. 4 is a left side view;

FIG. 5 is a right side view;

FIG. 6 is a top view; and,

FIG. 7 is bottom view.

**1 Claim, 7 Drawing Sheets**



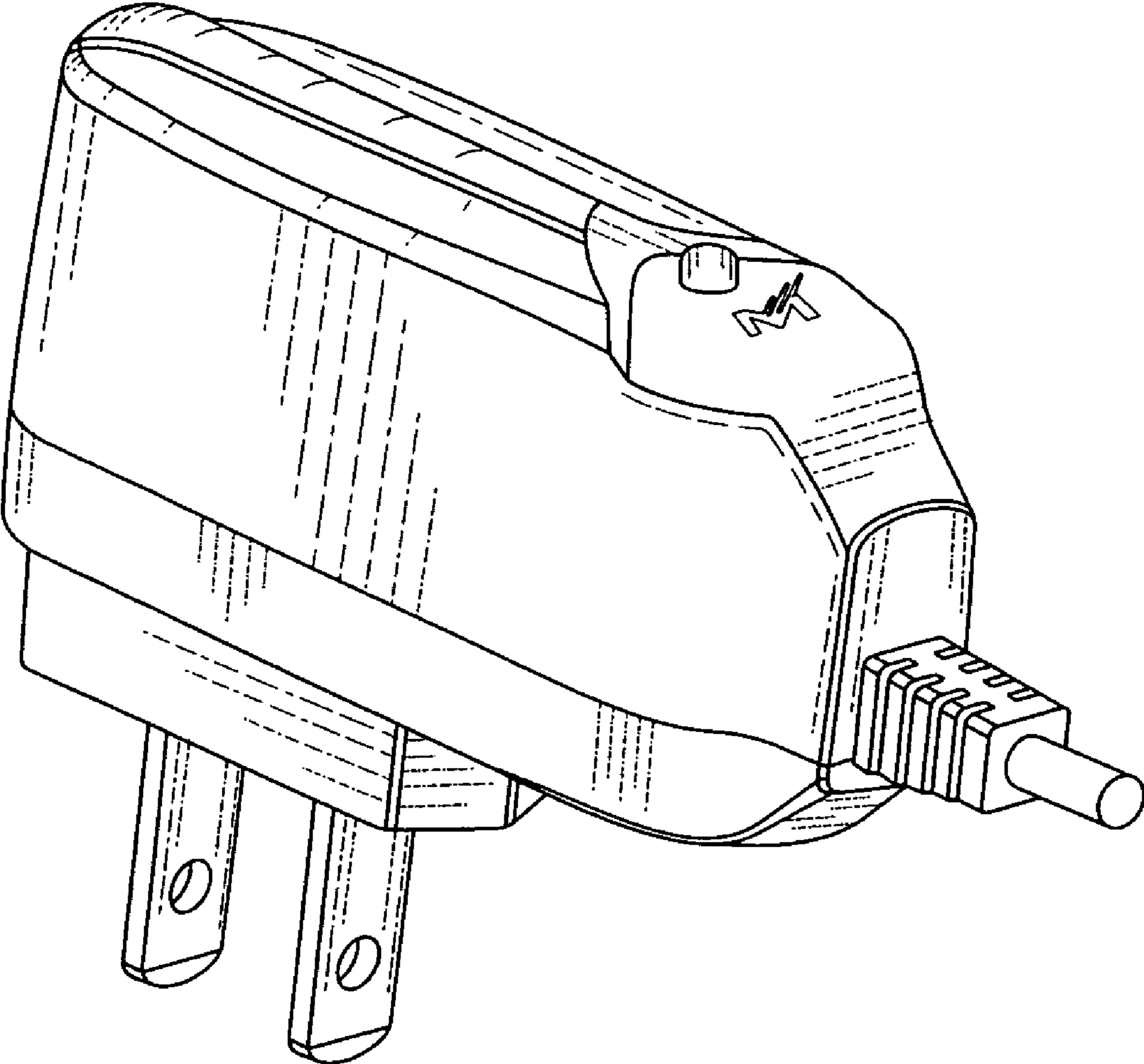


FIG. 1

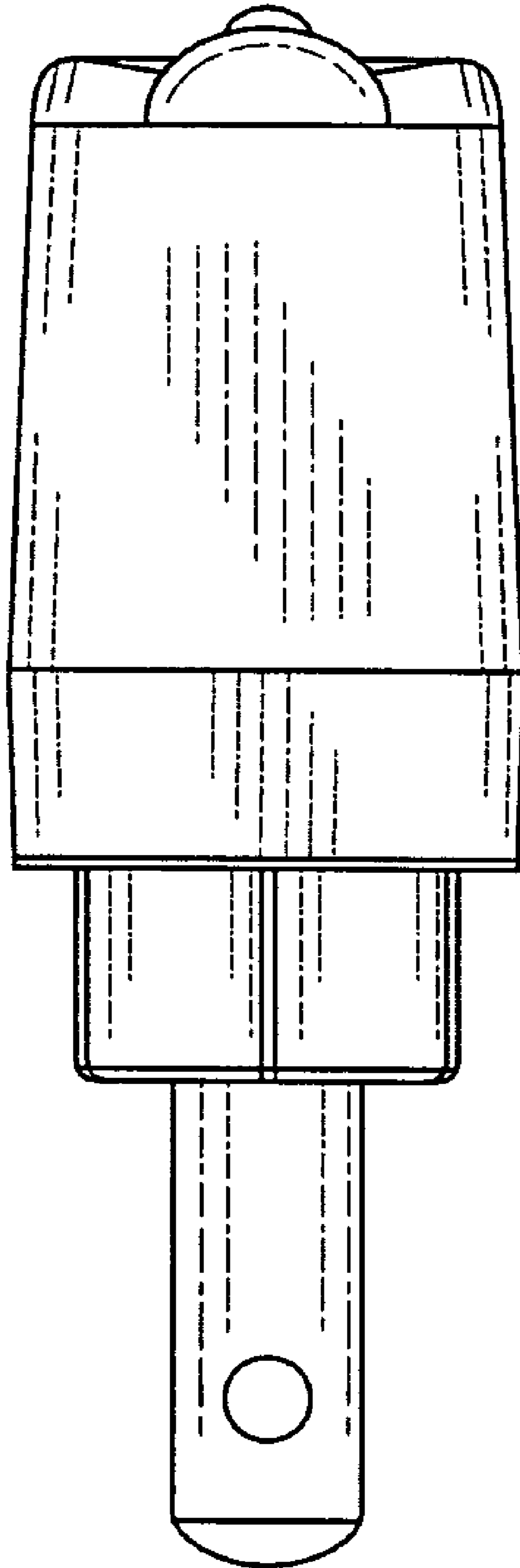


FIG. 2

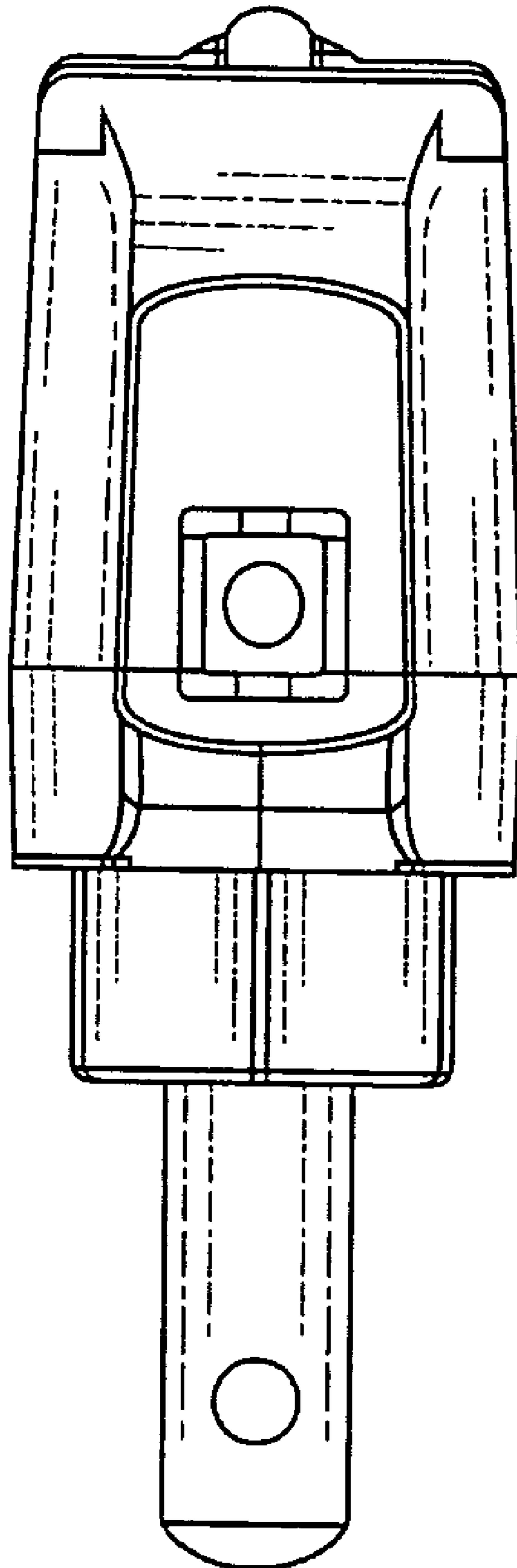


FIG. 3

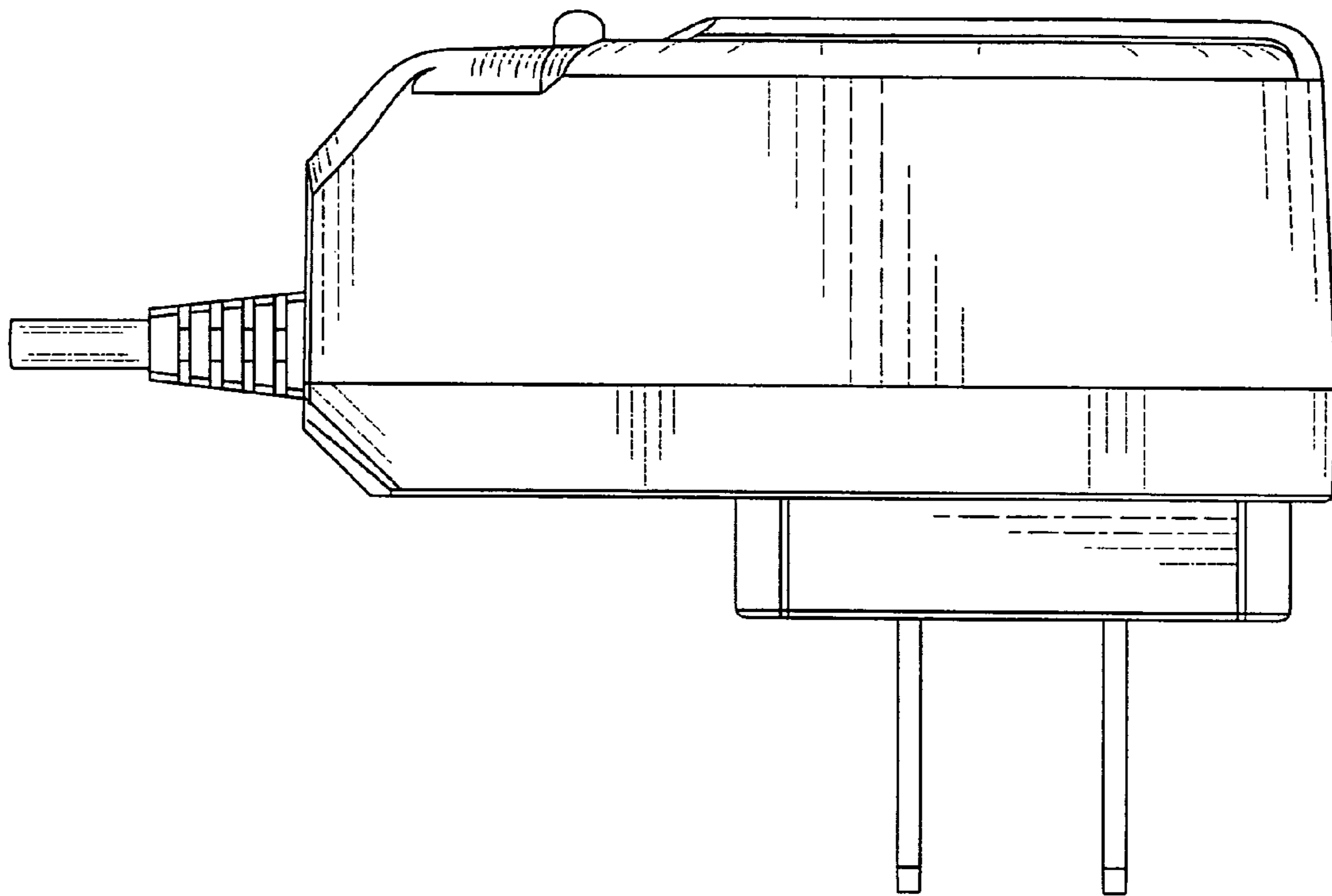


FIG. 4

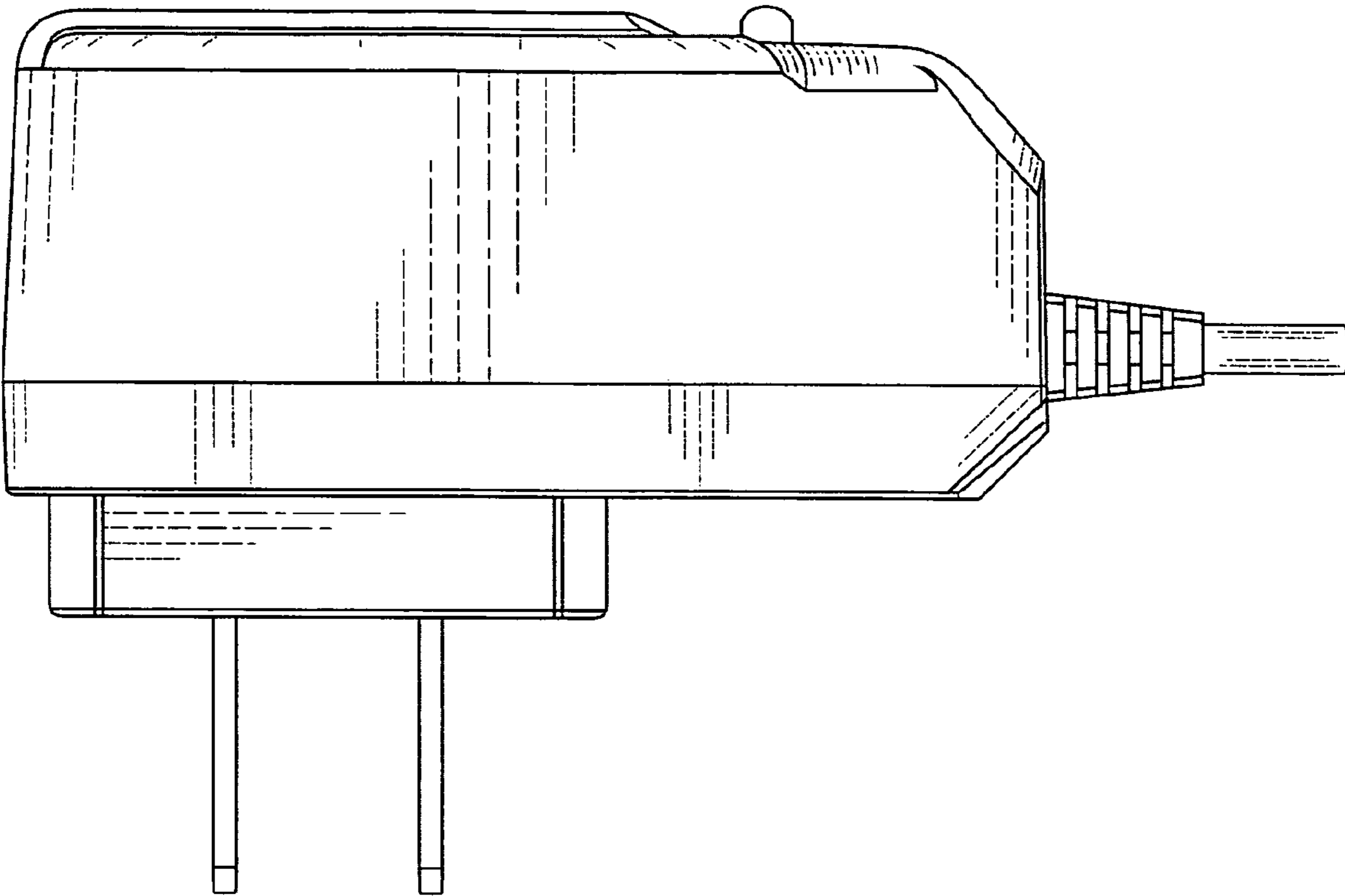


FIG. 5

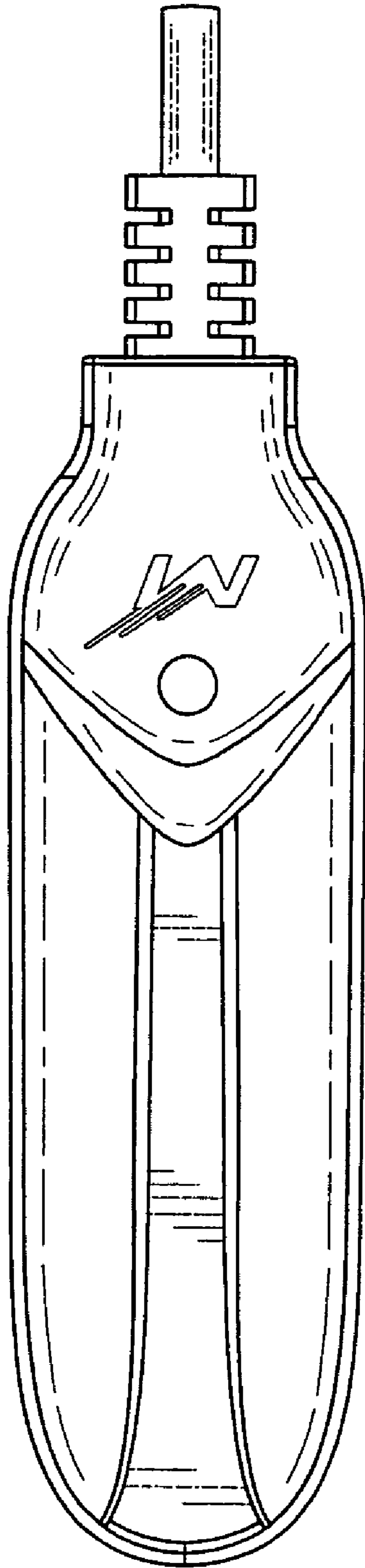


FIG. 6

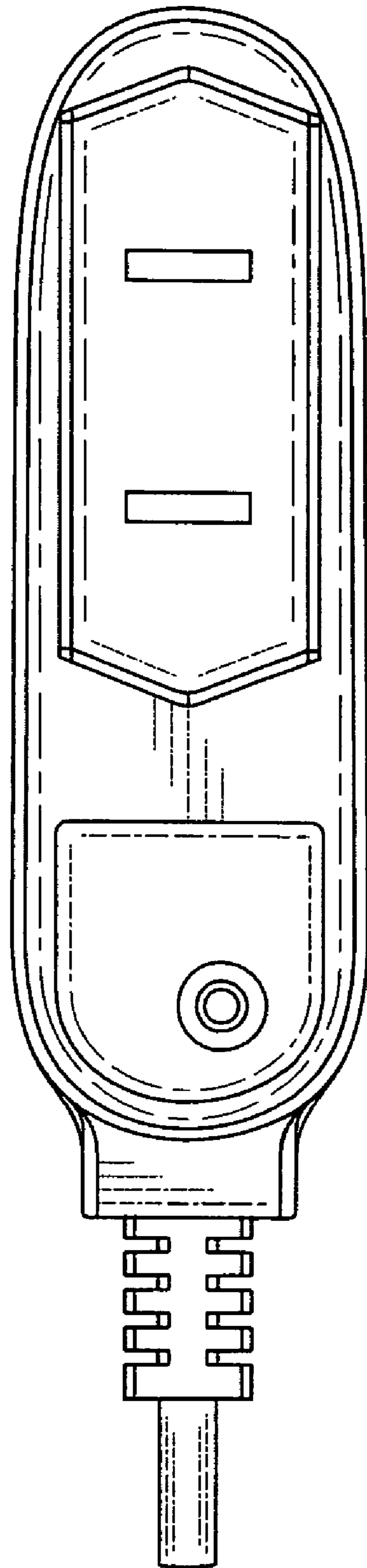


FIG. 7