



US00D592132S

(12) **United States Design Patent**
Lin et al.

(10) **Patent No.:** **US D592,132 S**
(45) **Date of Patent:** **** May 12, 2009**

(54) **RECHARGING DEVICE**

(75) Inventors: **Chu Geng Lin**, Tu-Cheng (TW); **Ming Chia Chi**, Tu-Cheng (TW); **Te Hua Hsu**, Tu-Cheng (TW)

(73) Assignee: **Cheng Uei Precision Industry Co., Ltd.**, Taipei Hsien (TW)

(**) Term: **14 Years**

(21) Appl. No.: **29/300,780**

(22) Filed: **May 12, 2008**

(51) **LOC (9) Cl.** **13-02**

(52) **U.S. Cl.** **D13/107**

(58) **Field of Classification Search** D13/107–110,
D13/118–119, 184; D14/251, 253, 432,
D14/434; 320/107–115

See application file for complete search history.

(56) **References Cited**

U.S. PATENT DOCUMENTS

D474,737 S *	5/2003	Yoshida	D13/108
D511,520 S *	11/2005	Hussaini et al.	D14/434
D512,066 S *	11/2005	Solomon et al.	D14/434
D540,802 S *	4/2007	Hussaini et al.	D14/434
D557,693 S *	12/2007	Kim et al.	D14/251
D568,809 S *	5/2008	Izumo et al.	D13/108

* cited by examiner

Primary Examiner—Jennifer Rivard

Assistant Examiner—Rosemary K Tarcza

(74) *Attorney, Agent, or Firm*—Rosenberg, Klein & Lee

(57) **CLAIM**

The ornamental design for a recharging device, as shown and described.

DESCRIPTION

FIG. 1 is a perspective view of a recharging device showing our new design;

FIG. 2 is a front elevational view thereof;

FIG. 3 is a rear elevational view thereof;

FIG. 4 is a left side elevational view thereof;

FIG. 5 is a right side elevational view thereof;

FIG. 6 is a top plan view thereof;

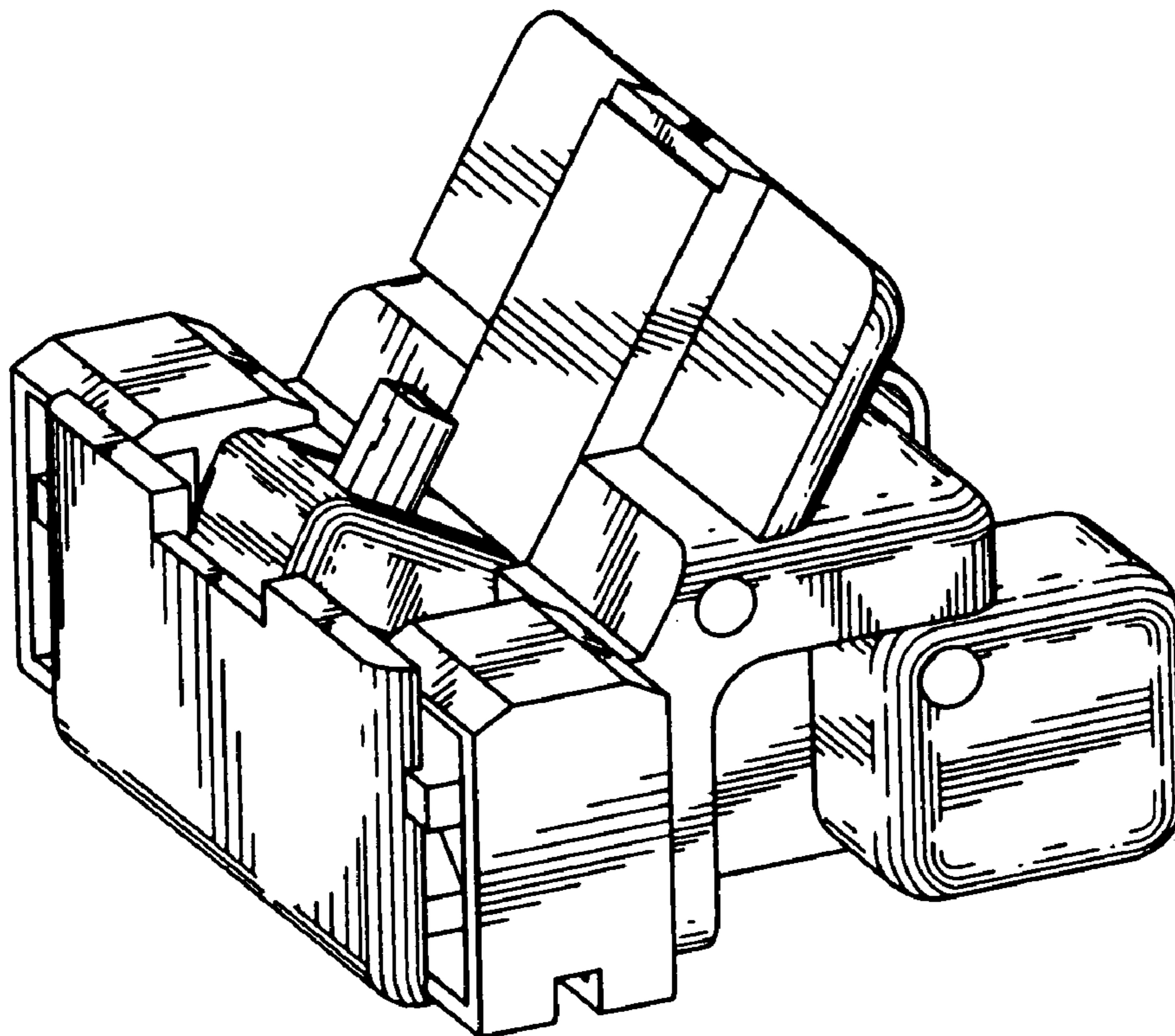
FIG. 7 is a bottom plan view thereof; and,

FIG. 8 is perspective view of the recharging device in a closing state.

The dash-dot broken lines directly adjacent to shaded areas represent the boundaries of the claimed design and form no part of the claimed design.

The broken lines shown in the drawings are included for the purpose of illustrating environmental structure and form no part of the claimed design.

1 Claim, 8 Drawing Sheets



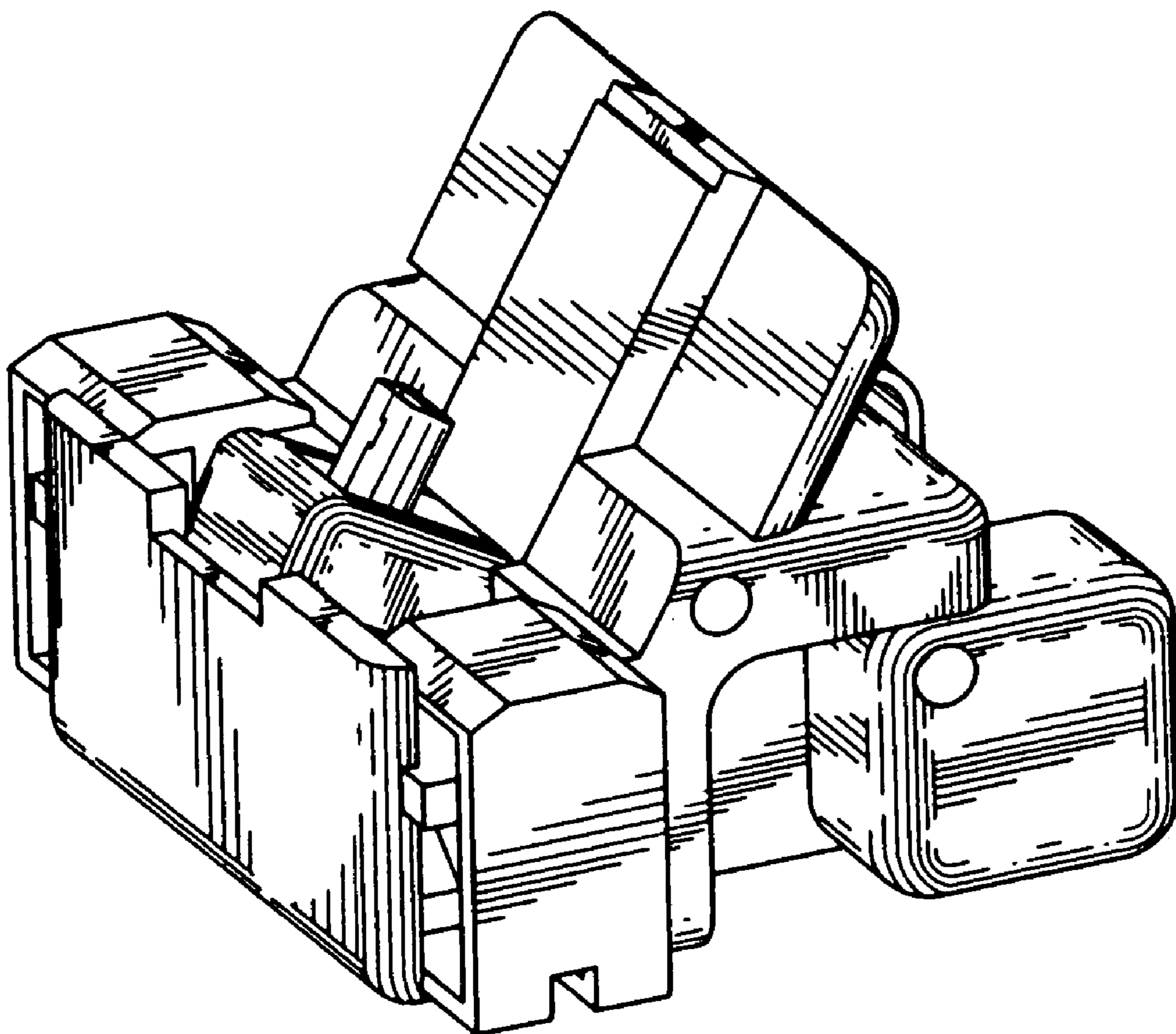


FIG. 1

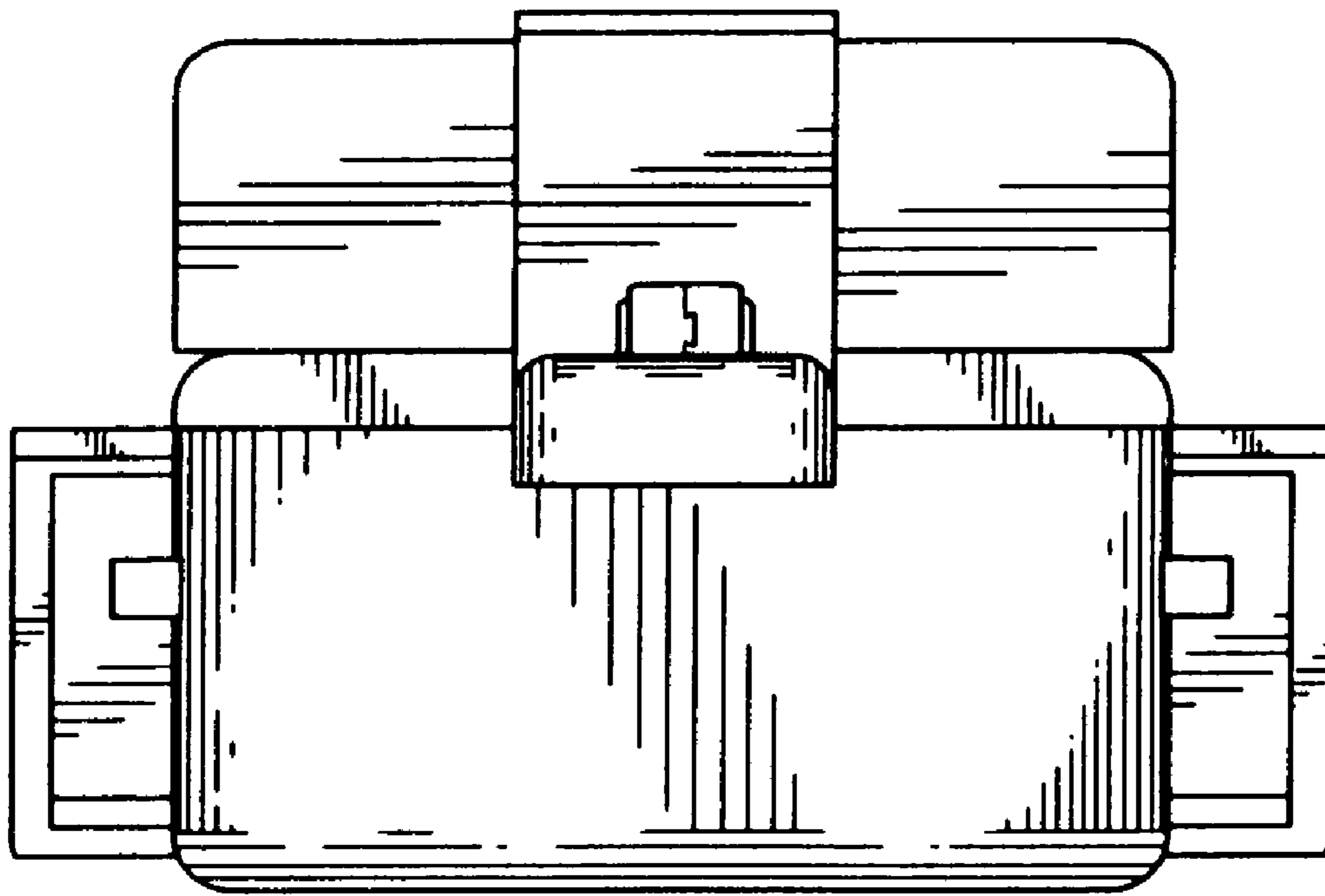


FIG. 2

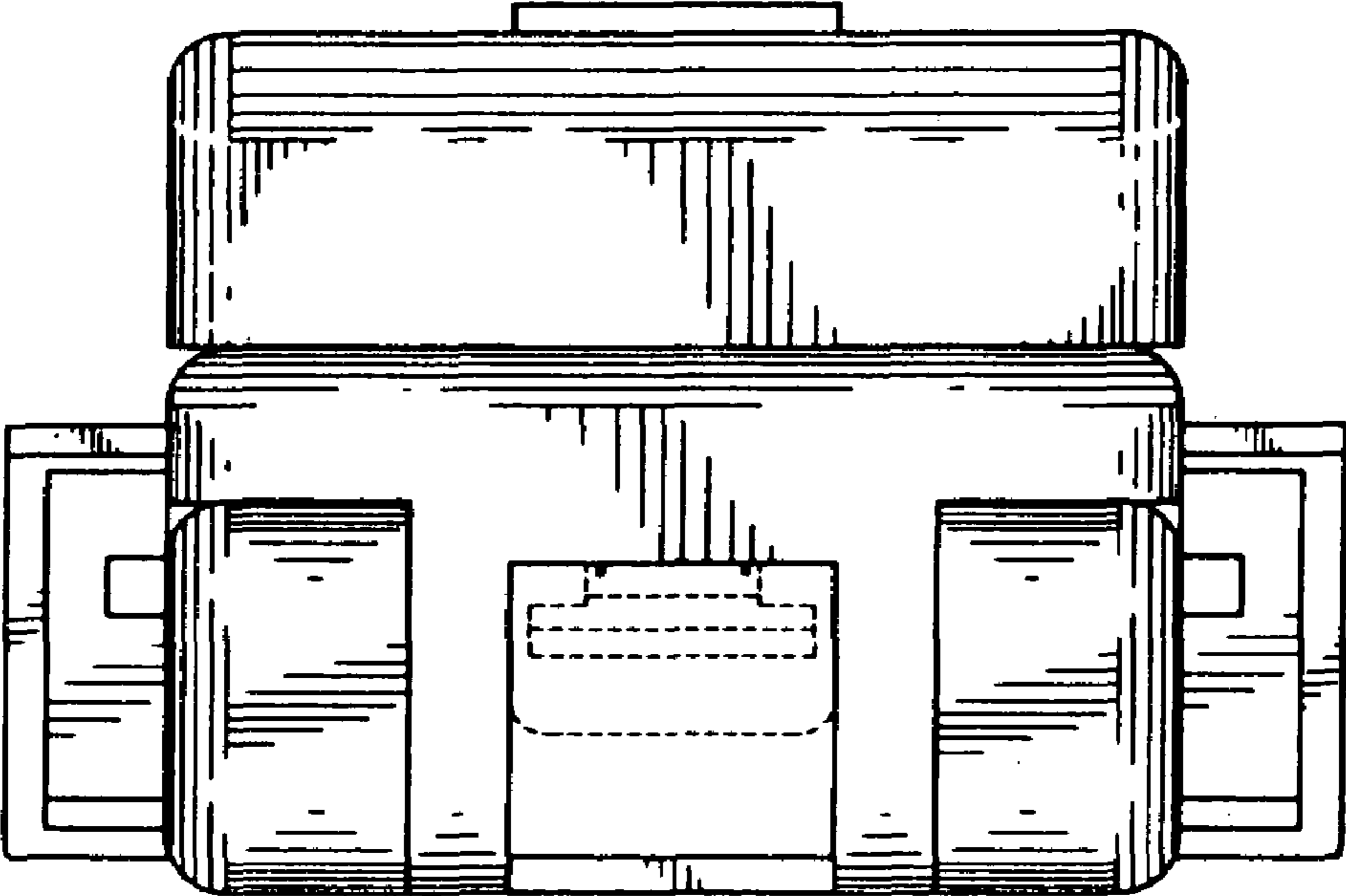


FIG. 3

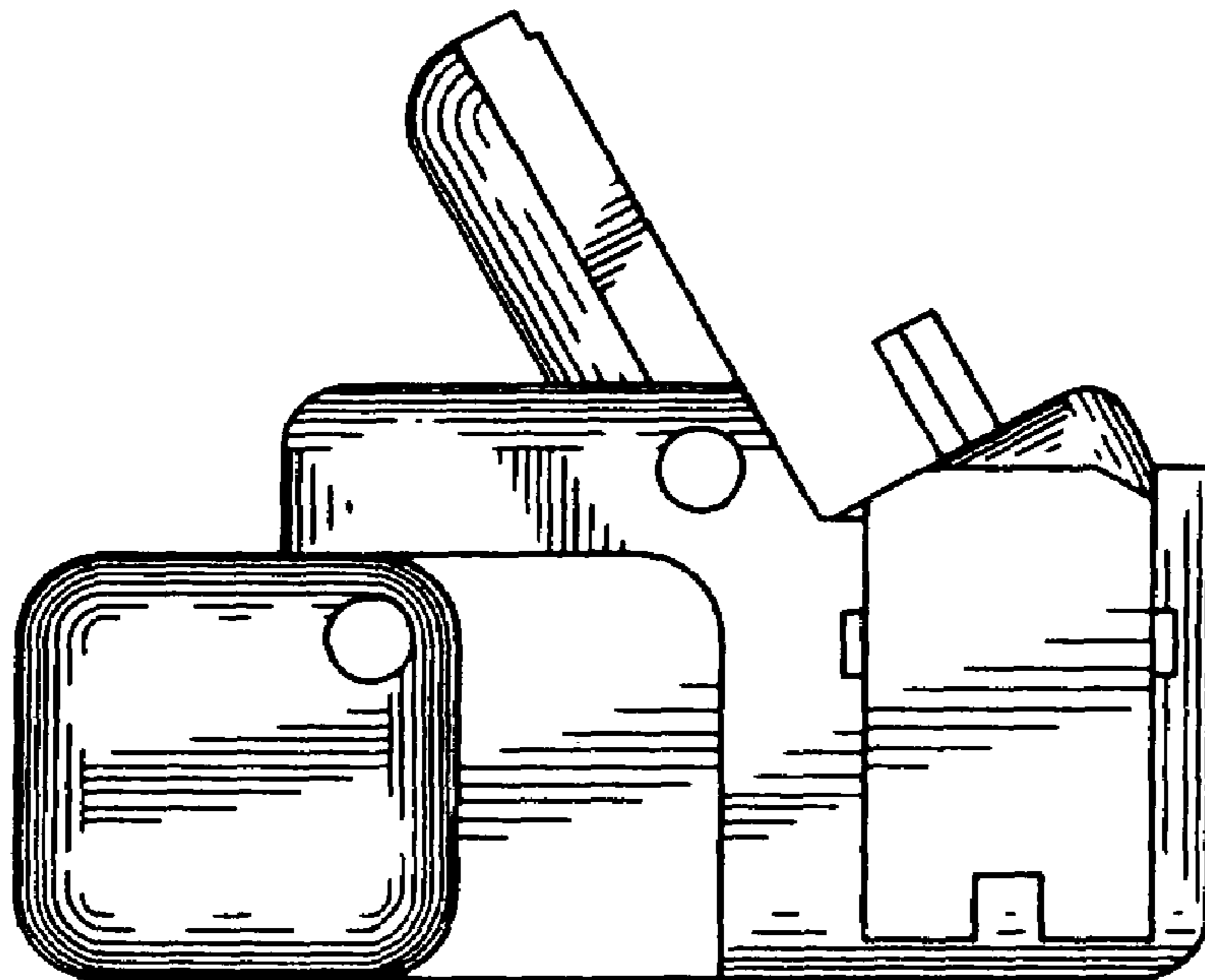


FIG. 4

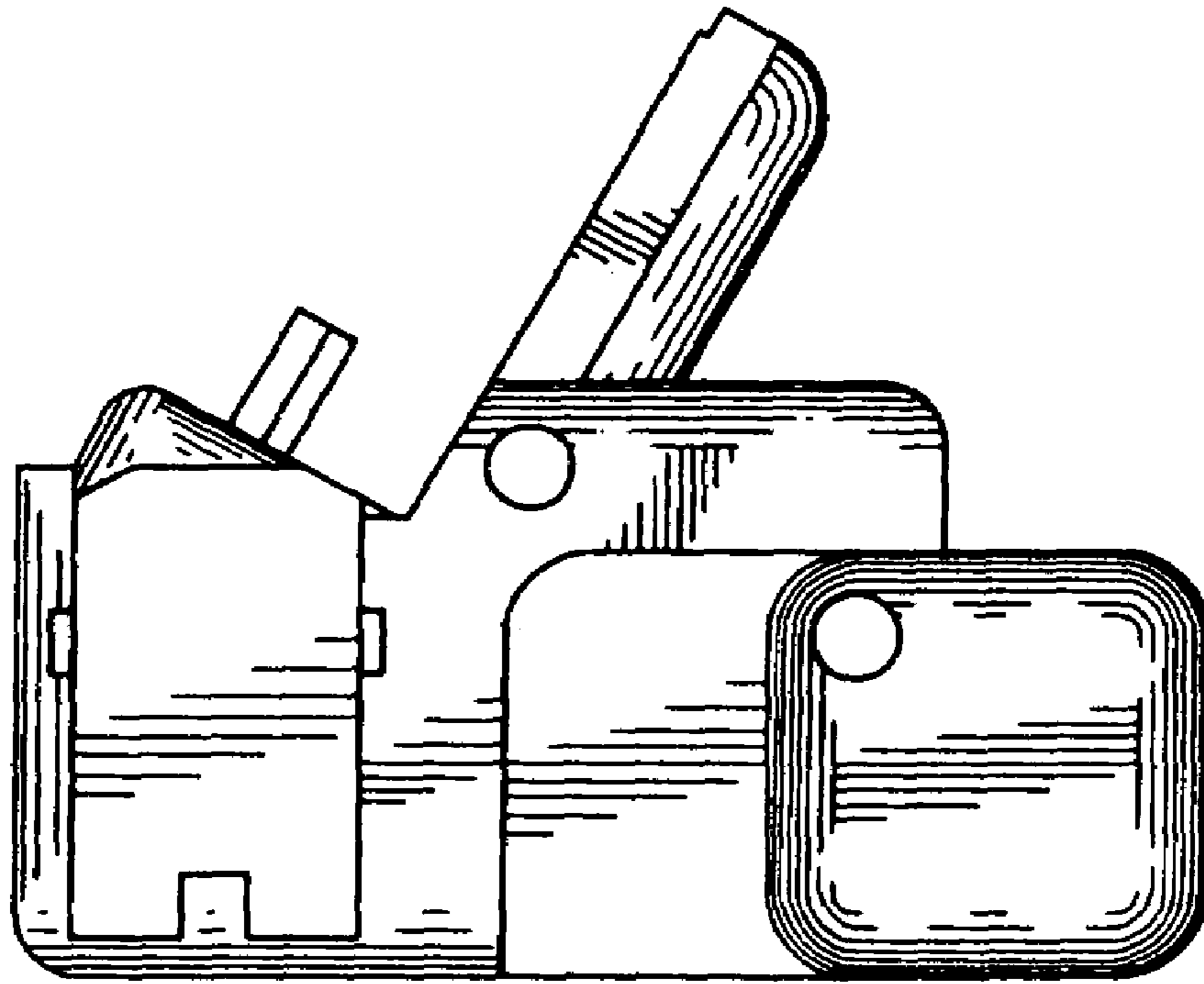


FIG. 5

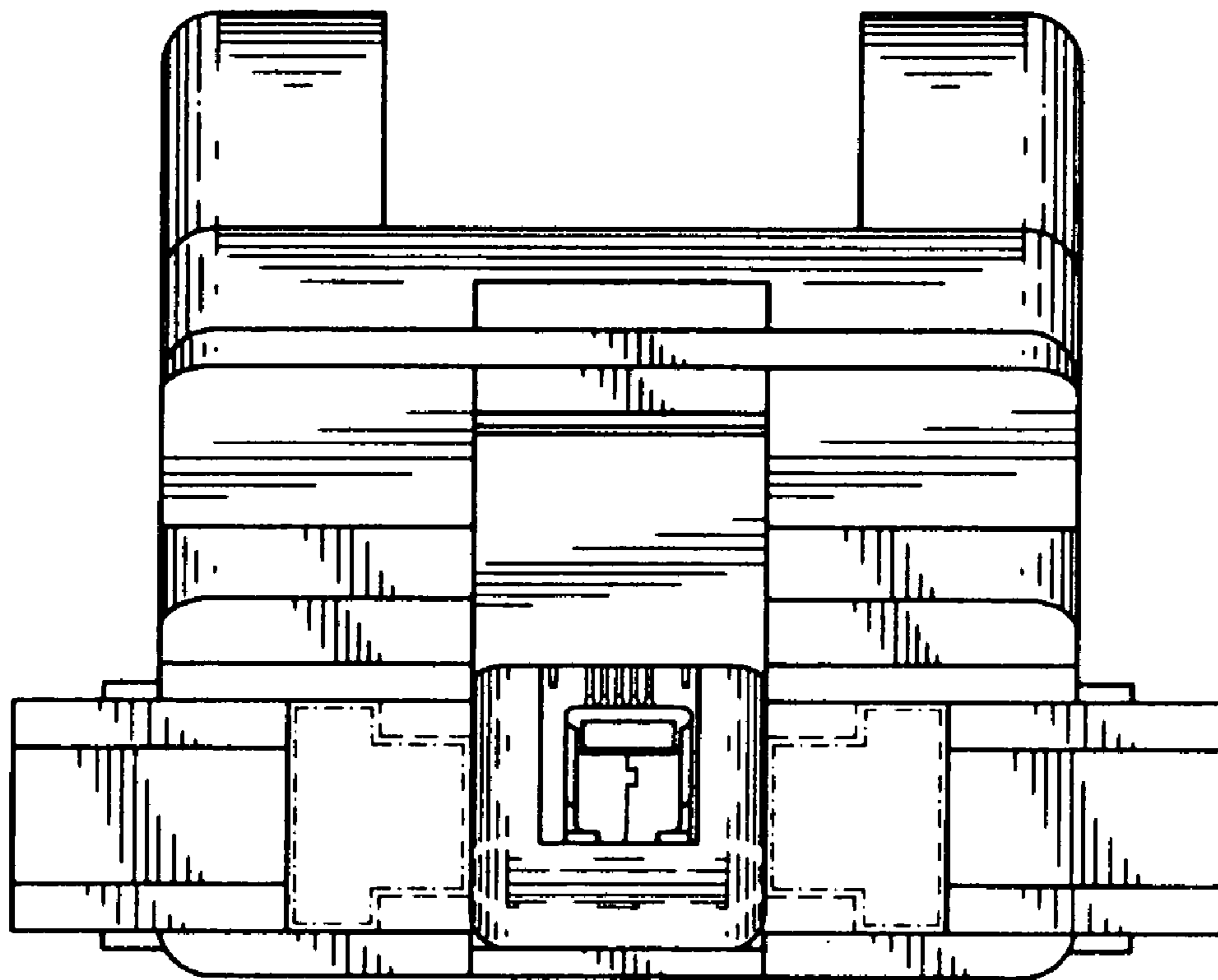


FIG. 6

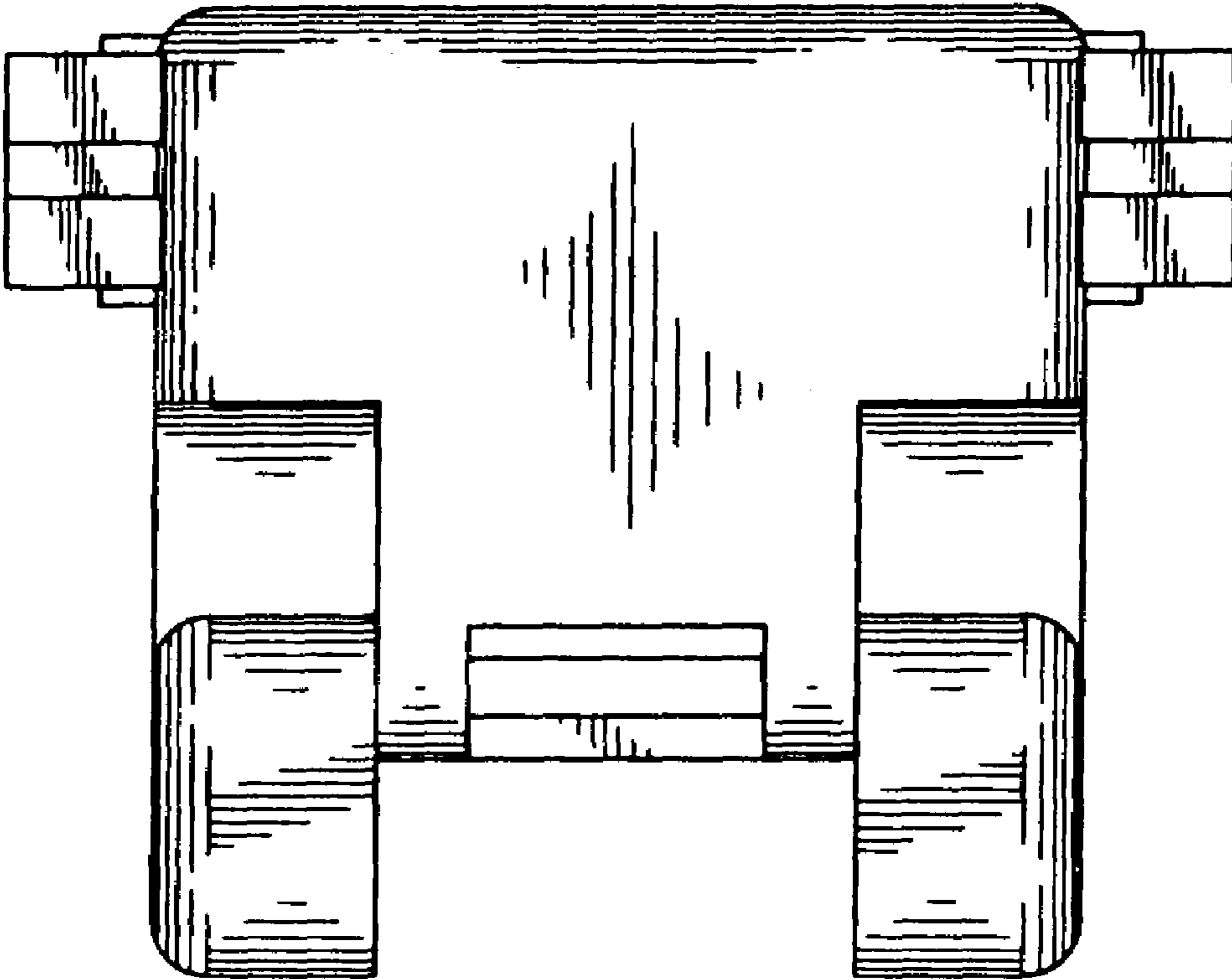


FIG. 7

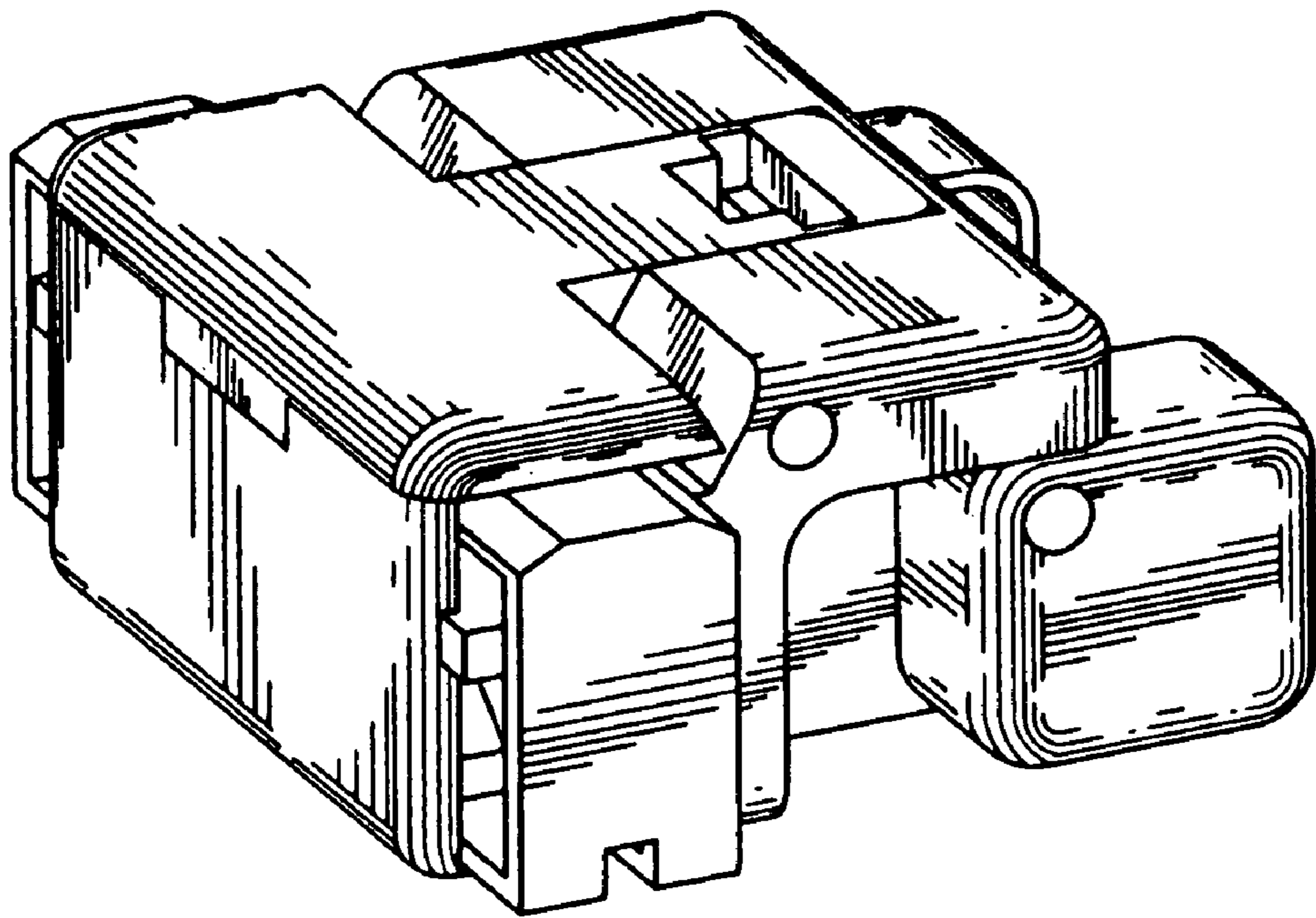


FIG. 8