

US00D592131S

(12) **United States Design Patent**  
**Heinzen et al.**

(10) **Patent No.:** **US D592,131 S**

(45) **Date of Patent:** **\*\* May 12, 2009**

(54) **BATTERY FOR A COMBUSTION TOOL**

(75) Inventors: **William J. Heinzen**, Glenview, IL (US);  
**Robert L. Turk**, Waukegan, IL (US);  
**Robert Meyer**, Palatine, IL (US)

(73) Assignee: **Illinois Tool Works, Inc.**, Glenview, IL (US)

(\*\*) Term: **14 Years**

(21) Appl. No.: **29/324,101**

(22) Filed: **Sep. 5, 2008**

**Related U.S. Application Data**

(62) Division of application No. 29/298,652, filed on Dec. 10, 2007, now Pat. No. Des. 580,852.

(51) **LOC (9) Cl.** ..... **13-02**

(52) **U.S. Cl.** ..... **D13/103**

(58) **Field of Classification Search** ..... D13/102–106,  
D13/110, 118–119, 184; 429/96–100, 163,  
429/176

See application file for complete search history.

(56) **References Cited**

**U.S. PATENT DOCUMENTS**

D264,347 S	5/1982	Peroni	
D292,696 S	11/1987	Sahli	
D301,331 S *	5/1989	Rhodin	D13/107
D303,524 S	9/1989	Siegner et al.	
D306,583 S *	3/1990	Krolopp et al.	D14/137
D310,205 S	8/1990	Hedrington et al.	
D346,584 S	5/1994	Taniguchi	
D356,776 S	3/1995	Yoshii	
D362,424 S	9/1995	Sumita et al.	
D368,429 S	4/1996	Serio, Jr.	
D374,673 S	10/1996	Beaumont et al.	
D380,475 S	7/1997	Rasmussen	

D400,512 S	11/1998	Korhonen	
D400,513 S *	11/1998	Seirio	D13/184
D403,656 S	1/1999	Ichikawa	
D417,188 S	11/1999	Maeyama	
D419,132 S	1/2000	Suzuki et al.	
D431,230 S *	9/2000	Began	D13/184
D434,723 S	12/2000	Fushimi	
D478,866 S	8/2003	Nakai	
D496,906 S	10/2004	Vinciarelli et al.	
D506,065 S	6/2005	Sugino et al.	
D506,438 S *	6/2005	Vinciarelli et al.	D13/110
D522,451 S	6/2006	Hayes et al.	

\* cited by examiner

*Primary Examiner*—Jennifer Rivard

*Assistant Examiner*—Rosemary K Tarcza

(74) *Attorney, Agent, or Firm*—Greer, Burns & Crain, Ltd.;  
Mark W. Croll; Christopher P. Rauch

(57) **CLAIM**

The ornamental design for a battery for a combustion tool, as shown and described.

**DESCRIPTION**

FIG. 1 is a top perspective view of a battery of the present invention;

FIG. 2 is a front view of the battery of FIG. 1;

FIG. 3 is a right side view of the battery of FIG. 1;

FIG. 4 is a left side view of the same;

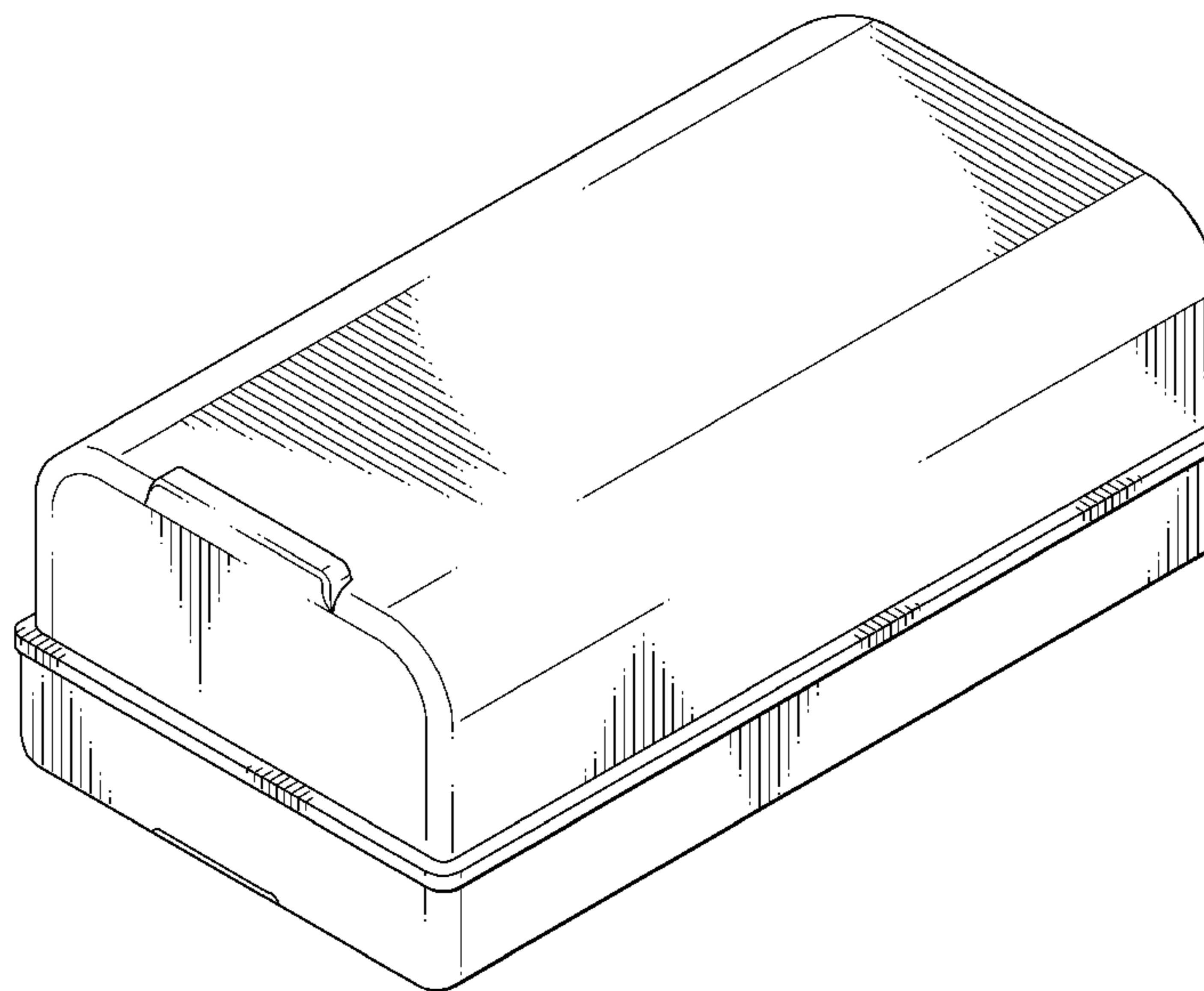
FIG. 5 is a rear view of the battery of FIG. 1;

FIG. 6 is top view of the same; and,

FIG. 7 is a bottom view of the battery of FIG. 1.

The structure depicted in broken lines is provided for environment purposes only and does not constitute part of the claimed invention.

**1 Claim, 7 Drawing Sheets**



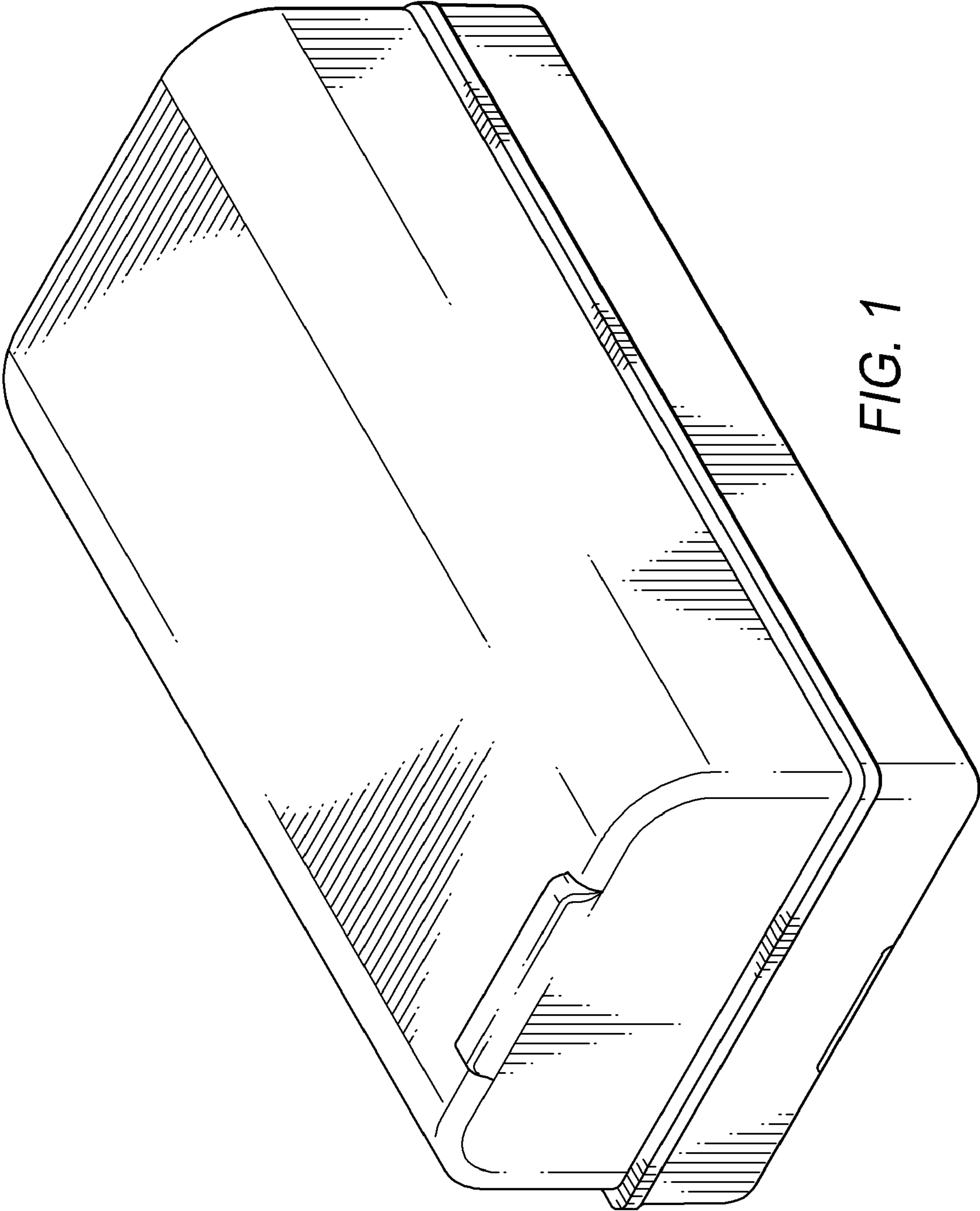


FIG. 1

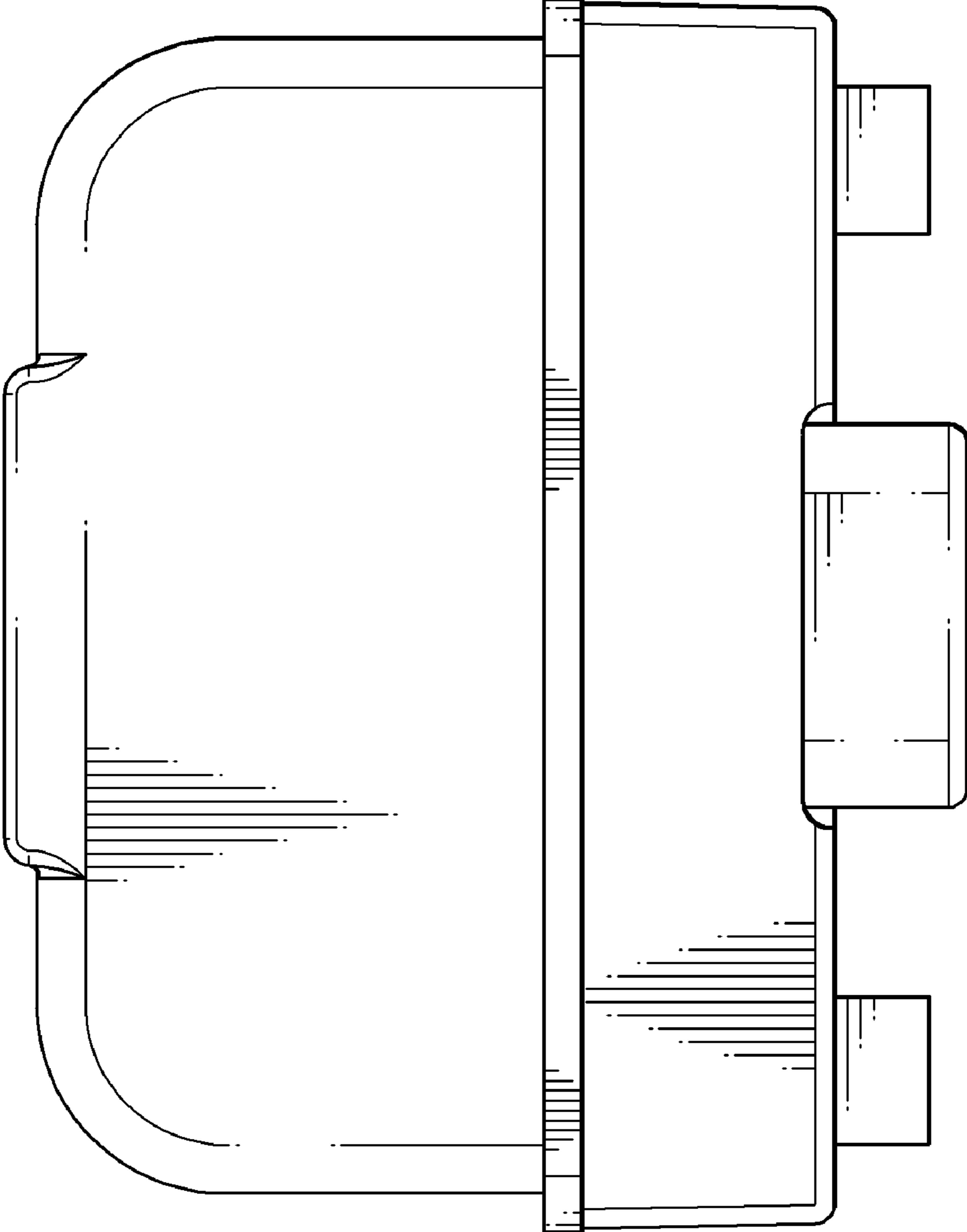


FIG. 2

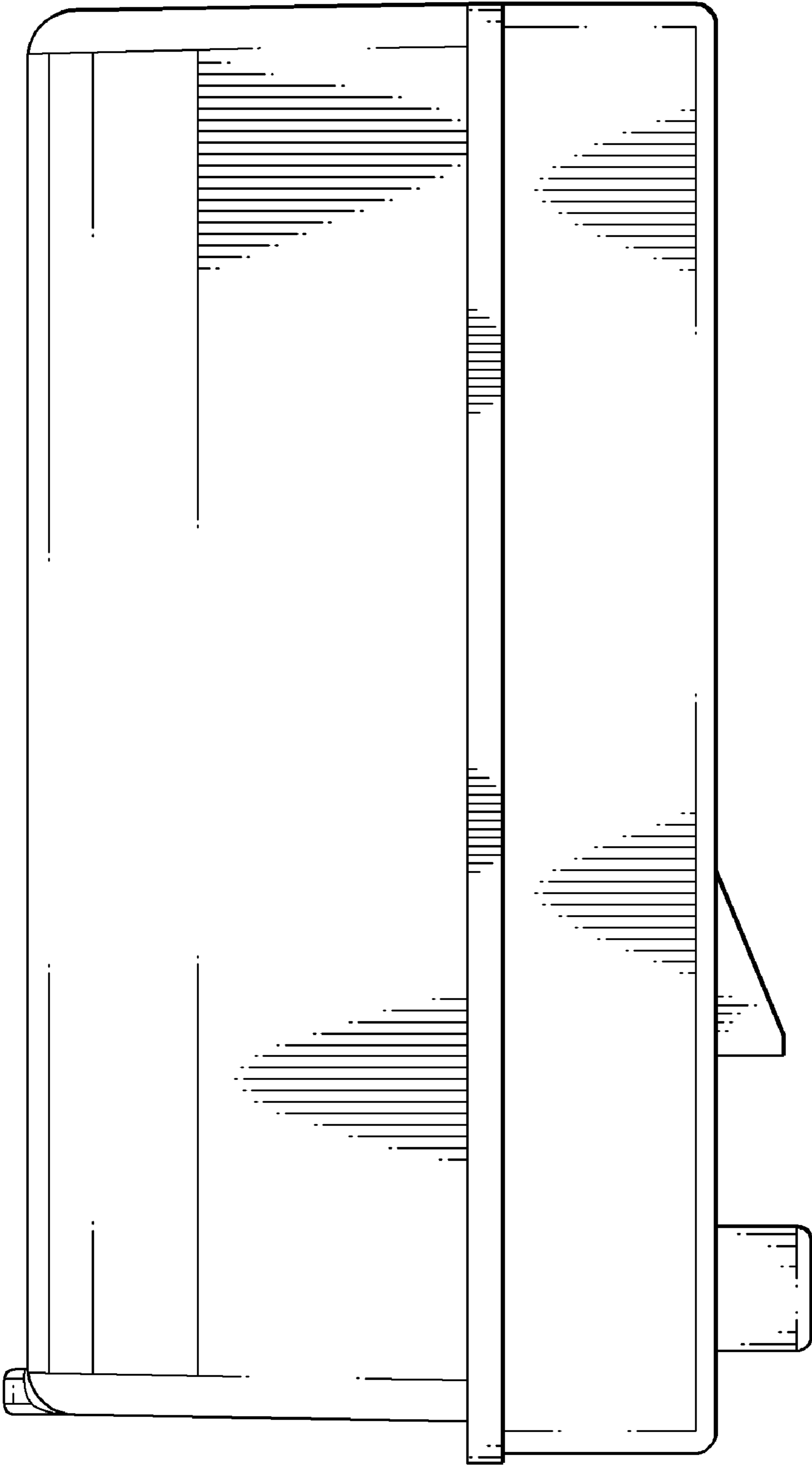


FIG. 3

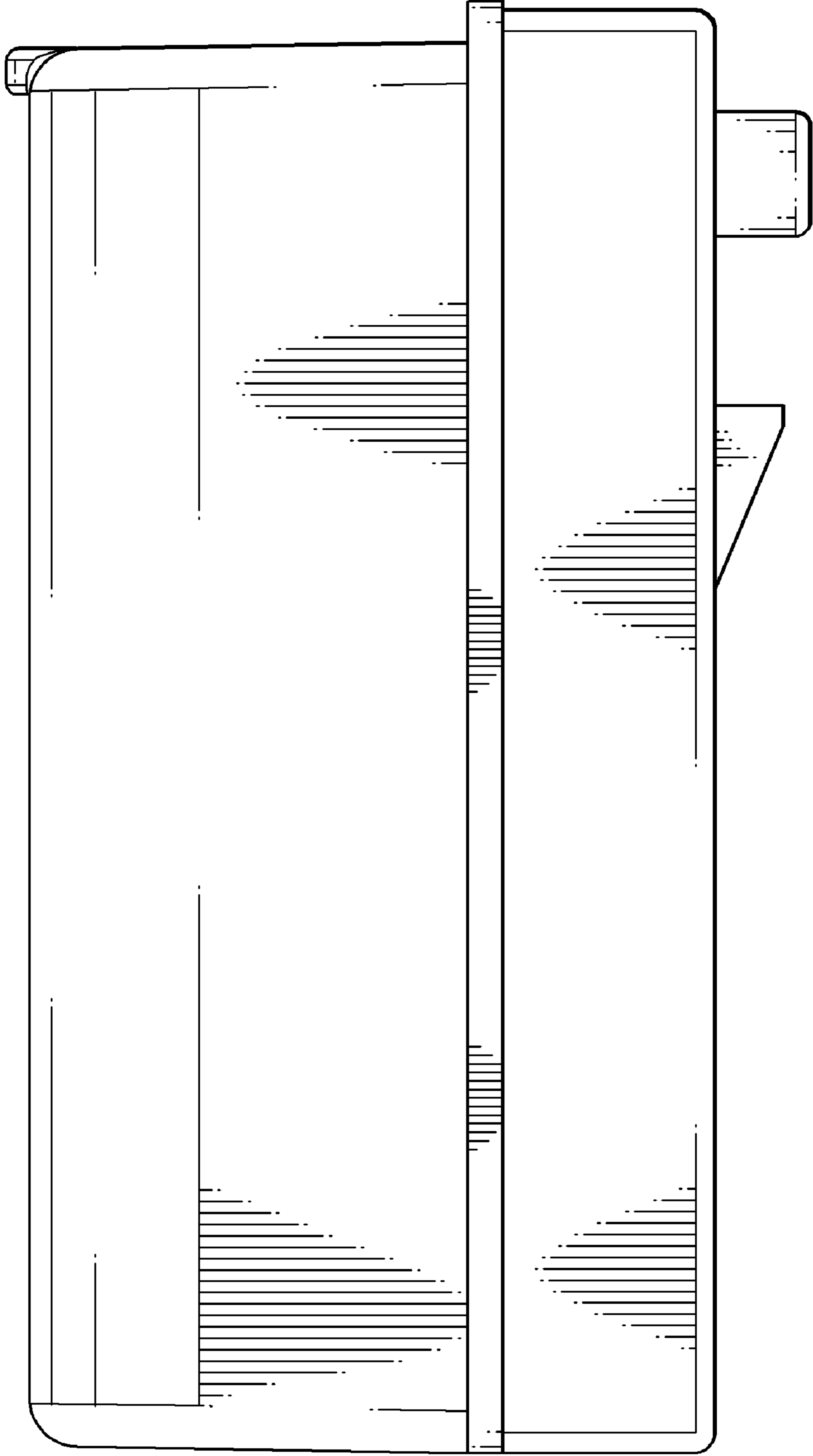


FIG. 4

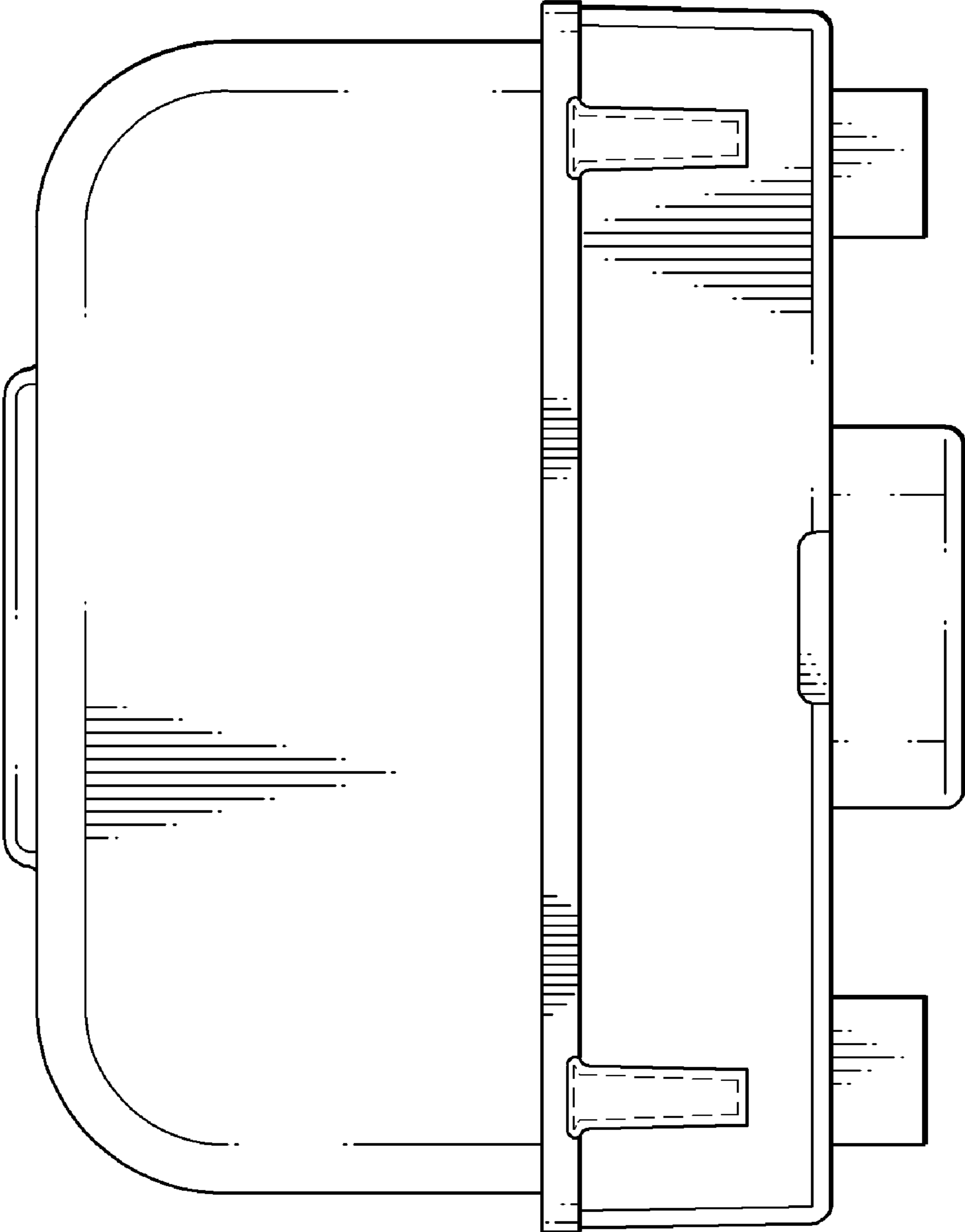


FIG. 5

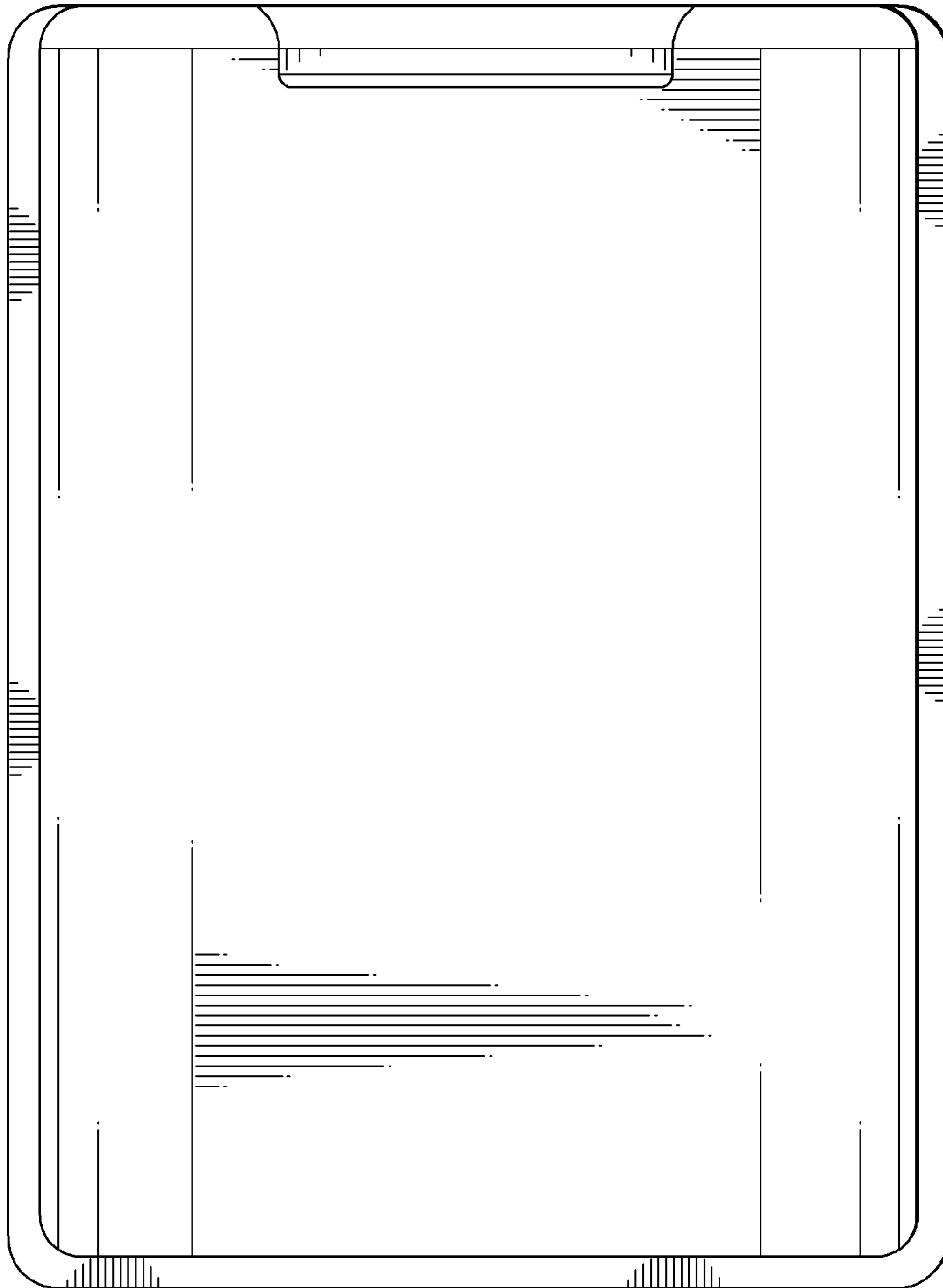


FIG. 6

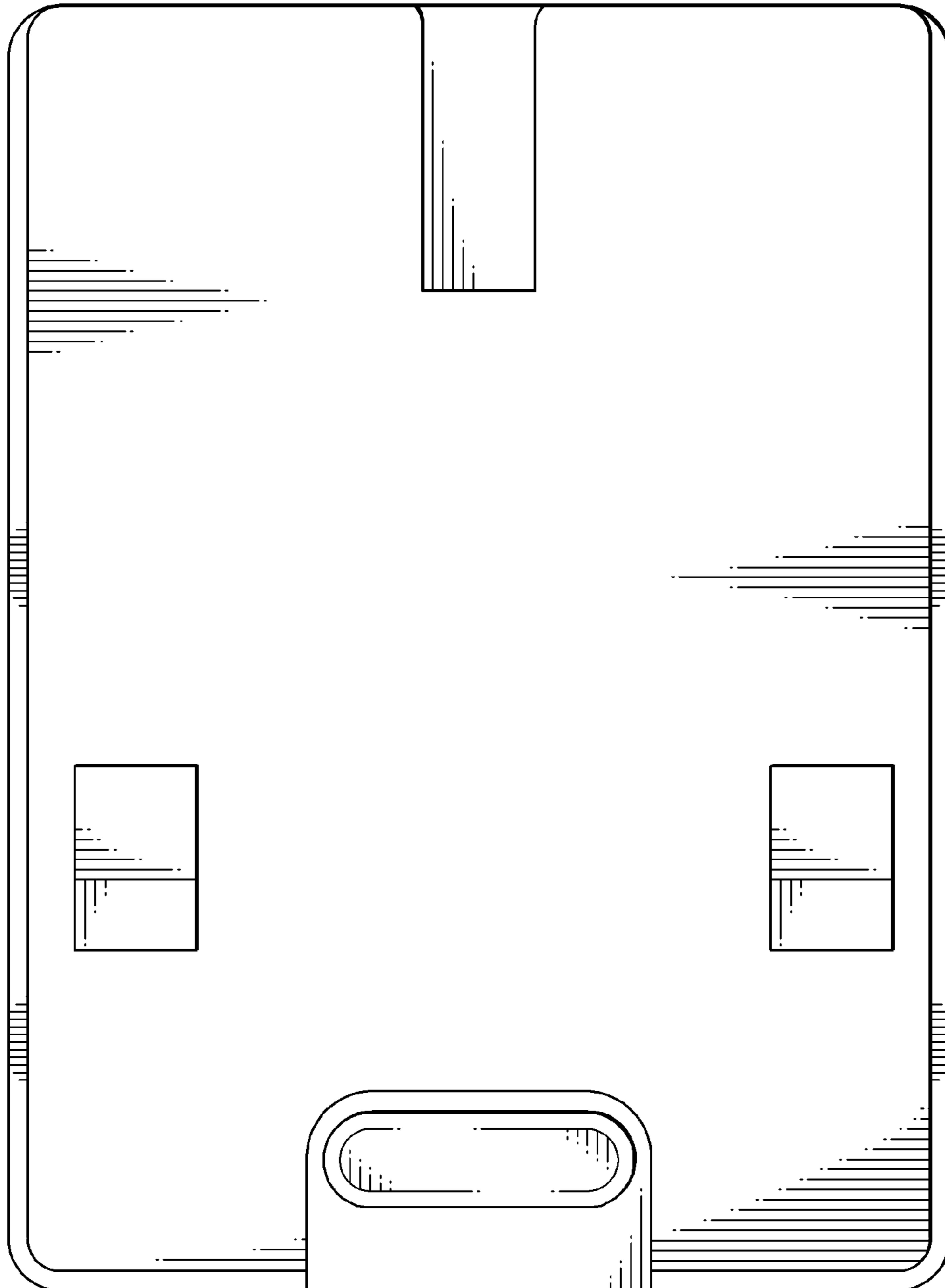


FIG. 7