



US00D592129S

(12) **United States Design Patent**
Masuda et al.

(10) **Patent No.:** **US D592,129 S**
(45) **Date of Patent:** **** May 12, 2009**

(54) **BATTERY**

(75) Inventors: **Hideki Masuda**, Kyoto (JP); **Osamu Ushijima**, Kyoto (JP); **Takahiro Shizuki**, Kyoto (JP); **Yoshitaka Ishida**, Kyoto (JP); **Junya Ueda**, Kyoto (JP); **Hiroshi Mukai**, Kyoto (JP); **Takuji Uchibori**, Kyoto (JP)

(73) Assignee: **GS Yuasa Corporation**, Kyoto-shi (JP)

(**) Term: **14 Years**

(21) Appl. No.: **29/294,820**

(22) Filed: **Jan. 29, 2008**

(51) **LOC (9) Cl.** **13-02**

(52) **U.S. Cl.** **D13/103**

(58) **Field of Classification Search** D13/102–106,
D13/110, 118–121, 184; 429/96–100, 163,
429/176

See application file for complete search history.

(56) **References Cited**

U.S. PATENT DOCUMENTS

D400,849 S *	11/1998	Ikeda et al.	D13/106
5,885,732 A *	3/1999	Verhoog	429/176
6,033,800 A *	3/2000	Ichiyangi et al.	429/176
6,045,883 A *	4/2000	Akiyama et al.	428/35.7
D437,287 S *	2/2001	Hamada et al.	D13/103
6,447,949 B2 *	9/2002	Iwata et al.	429/185
D543,938 S *	6/2007	Kawakita et al.	D13/119
D548,176 S *	8/2007	Eto et al.	D13/103
D548,684 S *	8/2007	Eto et al.	D13/103
D548,685 S *	8/2007	Eto et al.	D13/103

2003/0203278 A1 *	10/2003	Hamada et al.	429/156
2004/0191612 A1 *	9/2004	Akita et al.	429/94
2006/0068277 A1	3/2006	Kim et al.		

FOREIGN PATENT DOCUMENTS

JP	D1175600	6/2003
JP	D1175601	6/2003
JP	2006-093154	4/2006

OTHER PUBLICATIONS

U.S. Appl. No. 29/293,073, filed Nov. 7, 2007, Tasai.
GS Yuasa Corporation News Release, May 8, 2007.

* cited by examiner

Primary Examiner—Jennifer Rivard

Assistant Examiner—Rosemary K Tarcza

(74) *Attorney, Agent, or Firm*—Jordan and Hamburg LLP

(57) **CLAIM**

The ornamental design for a battery, as shown and described.

DESCRIPTION

FIG. 1 is a front perspective view of a battery showing our new design;

FIG. 2 is a top view thereof;

FIG. 3 is a front view thereof;

FIG. 4 is a bottom view thereof;

FIG. 5 is a back view thereof;

FIG. 6 is a right side view thereof;

FIG. 7 is a left side view thereof; and,

FIG. 8 is a sectional view taken along line 8—8 of FIG. 2.

1 Claim, 6 Drawing Sheets

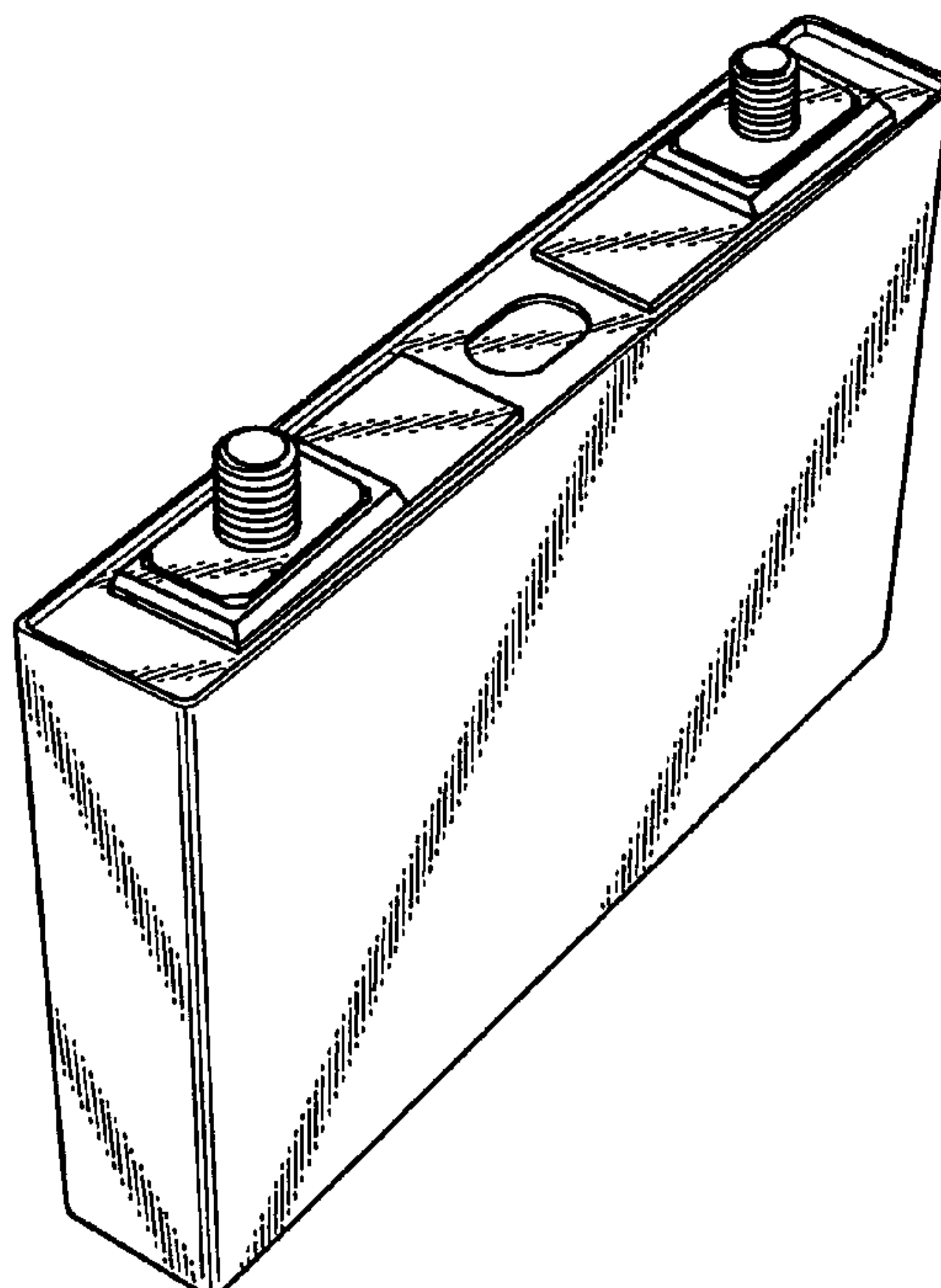


Fig. 1

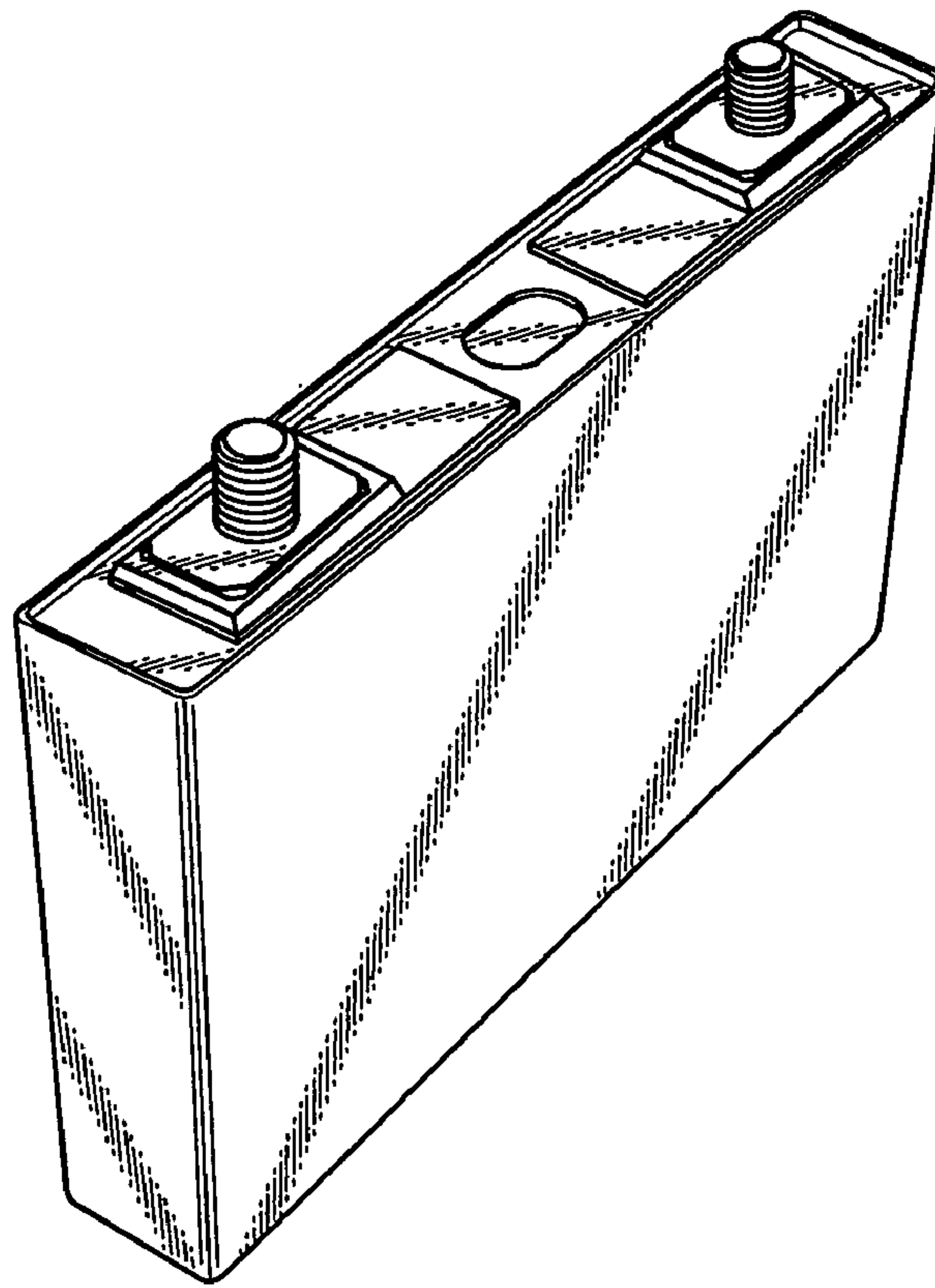


Fig. 2



Fig. 3

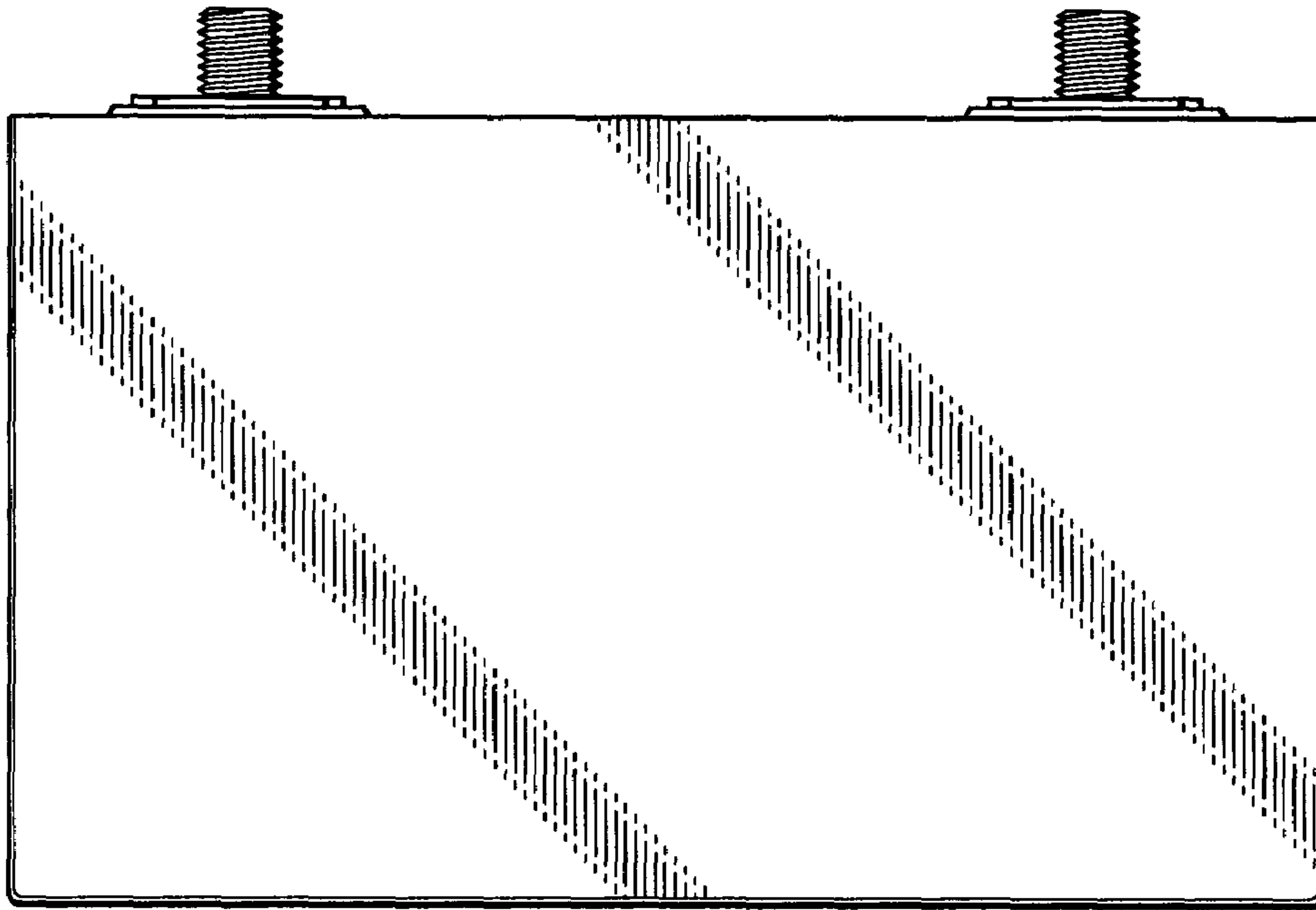


Fig. 4



Fig. 5

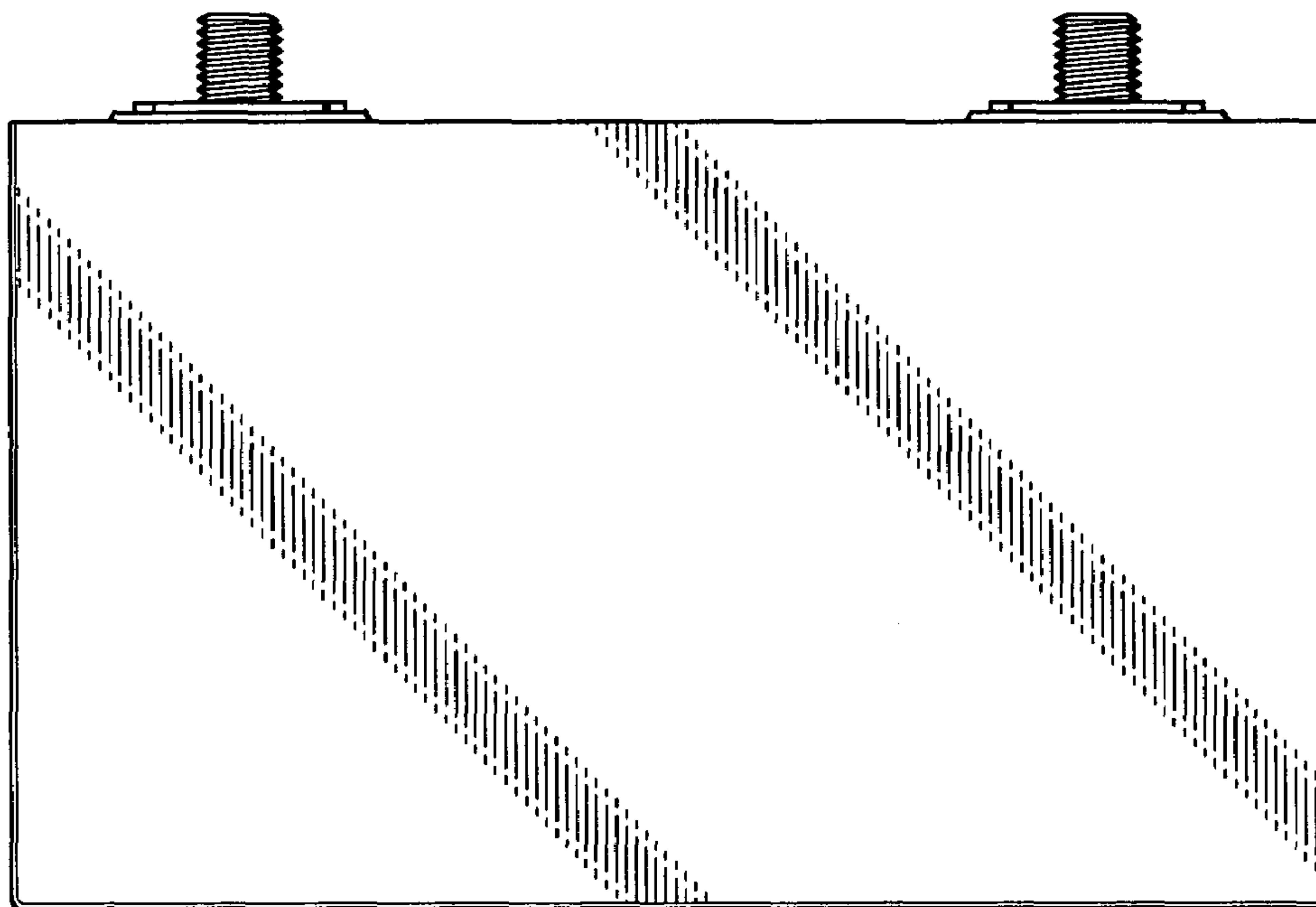


Fig. 6

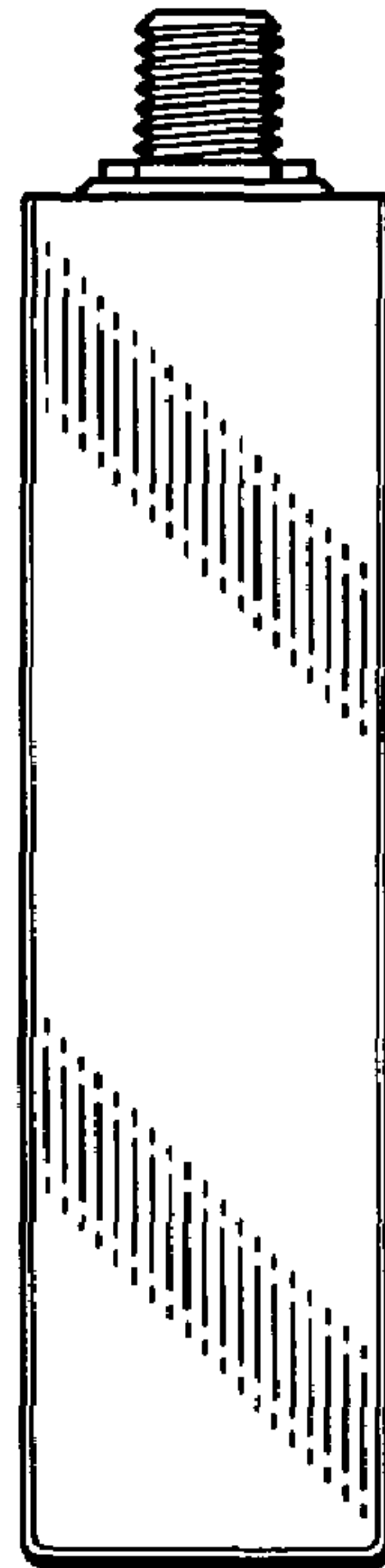


Fig. 7

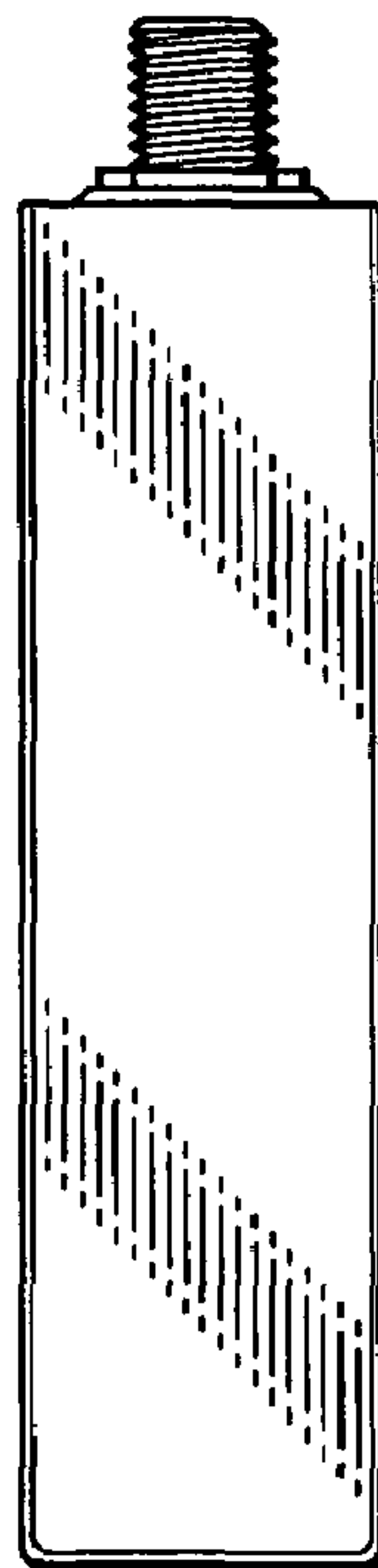


Fig. 8

