



US00D592125S

(12) **United States Design Patent**
Stracuzzi

(10) **Patent No.:** **US D592,125 S**

(45) **Date of Patent:** **** May 12, 2009**

(54) **LICENSE PLATE MOUNTED ACCESSORY**

(76) Inventor: **Kenneth R. Stracuzzi**, 429 Rick Rd.,
Southampton, PA (US) 18966

(**) Term: **14 Years**

(21) Appl. No.: **29/325,120**

(22) Filed: **Sep. 25, 2008**

Related U.S. Application Data

(63) Continuation of application No. 11/683,708, filed on
Mar. 8, 2007, now abandoned.

(51) **LOC (9) Cl.** **12-16**

(52) **U.S. Cl.** **D12/400**; D11/181

(58) **Field of Classification Search** D12/193;
D11/181-183, 165-168; 116/173-175; 248/519,
248/538

See application file for complete search history.

(56) **References Cited**

U.S. PATENT DOCUMENTS

D271,190	S	*	11/1983	Dostourian	D11/181
D332,932	S	*	2/1993	Nichols et al.	D12/317
D370,182	S	*	5/1996	Marvis et al.	D10/109
D390,489	S	*	2/1998	Behrens	D10/109
D420,308	S	*	2/2000	Turok	D11/166
D421,730	S	*	3/2000	Vance	D11/166

6,293,221	B1	*	9/2001	Kinahan	116/174
6,808,098	B1	*	10/2004	Bickett et al.	224/512
D526,929	S	*	8/2006	Barrett	D11/181
D527,307	S	*	8/2006	Barrett	D11/181
D533,111	S	*	12/2006	Taddia	D11/181
D578,442	S	*	10/2008	Oakley	D12/162
2006/0086308	A1	*	4/2006	Chen	116/174

* cited by examiner

Primary Examiner—Elizabeth A Albert

Assistant Examiner—Kelley A Donnelly

(74) *Attorney, Agent, or Firm*—Harness, Dickey & Pierce,
P.L.C.

(57) **CLAIM**

The ornamental design for a license plate mounted accessory,
as shown and described.

DESCRIPTION

FIG. 1 is a perspective view of a license plate mounted acces-
sory showing my design;

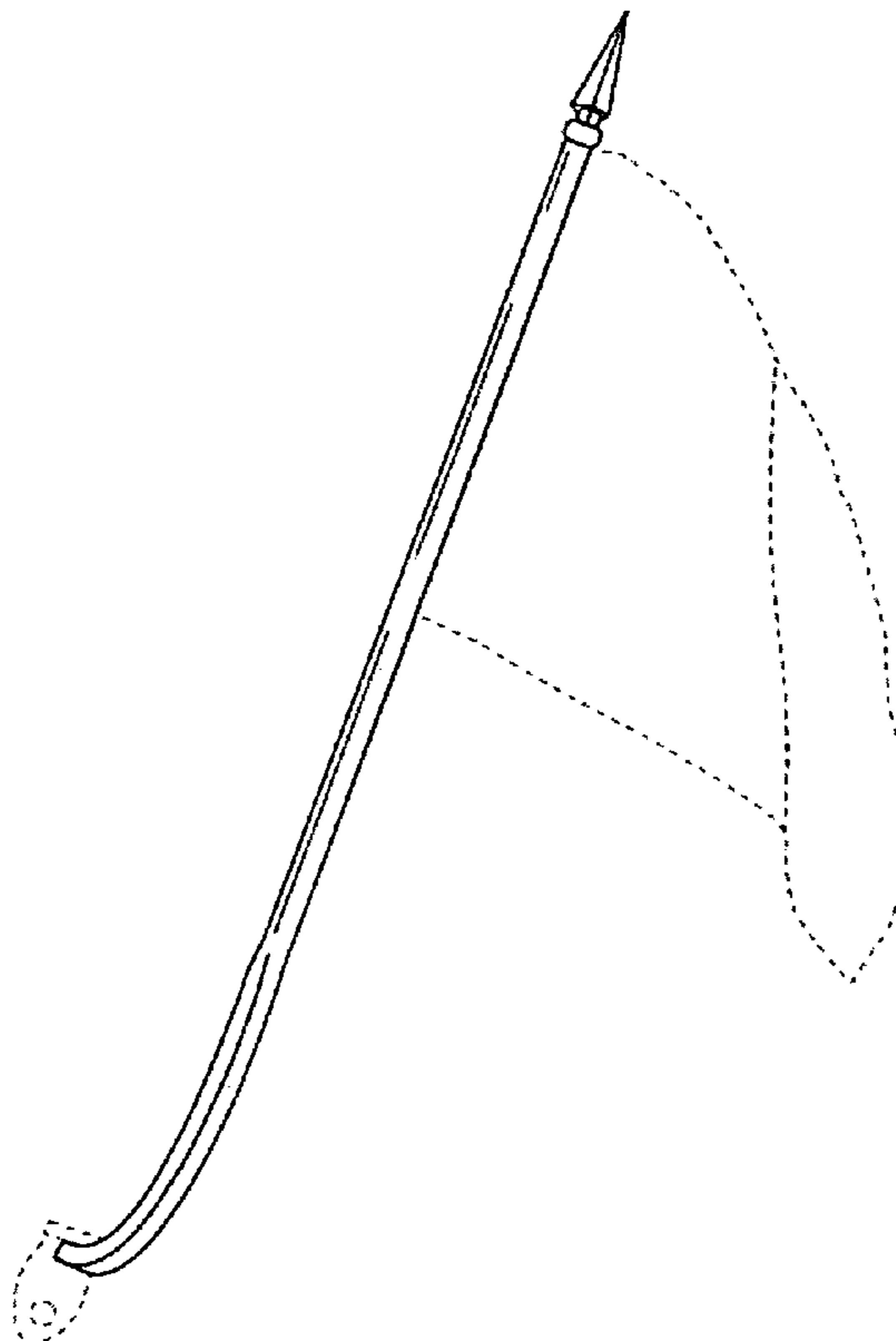
FIG. 2 is a left view thereof;

FIG. 3 is a front view thereof; and,

FIG. 4 is a rear view thereof.

The broken lines are for environmental purposes only and
form no part of the claimed design.

1 Claim, 3 Drawing Sheets



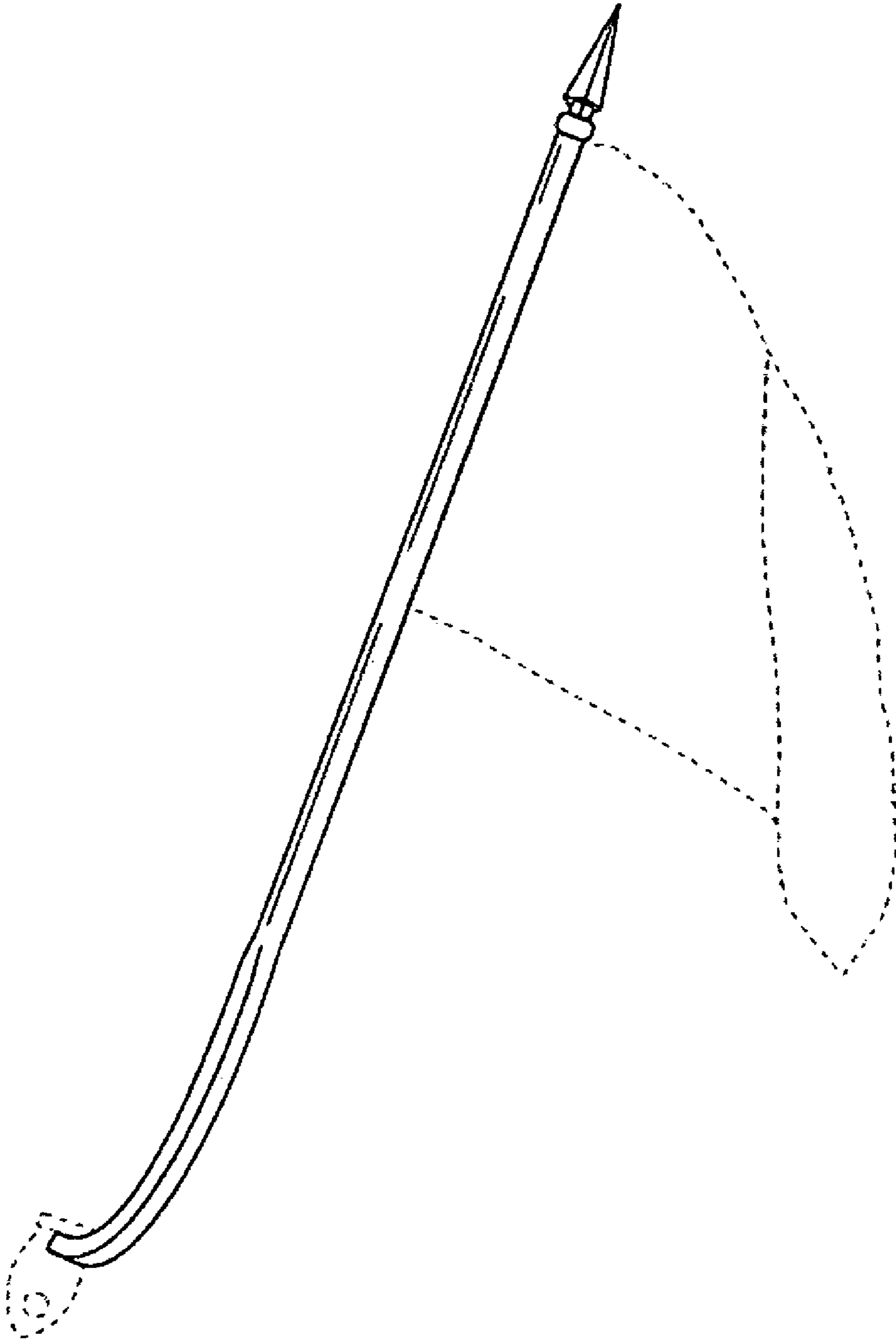


FIG. 1

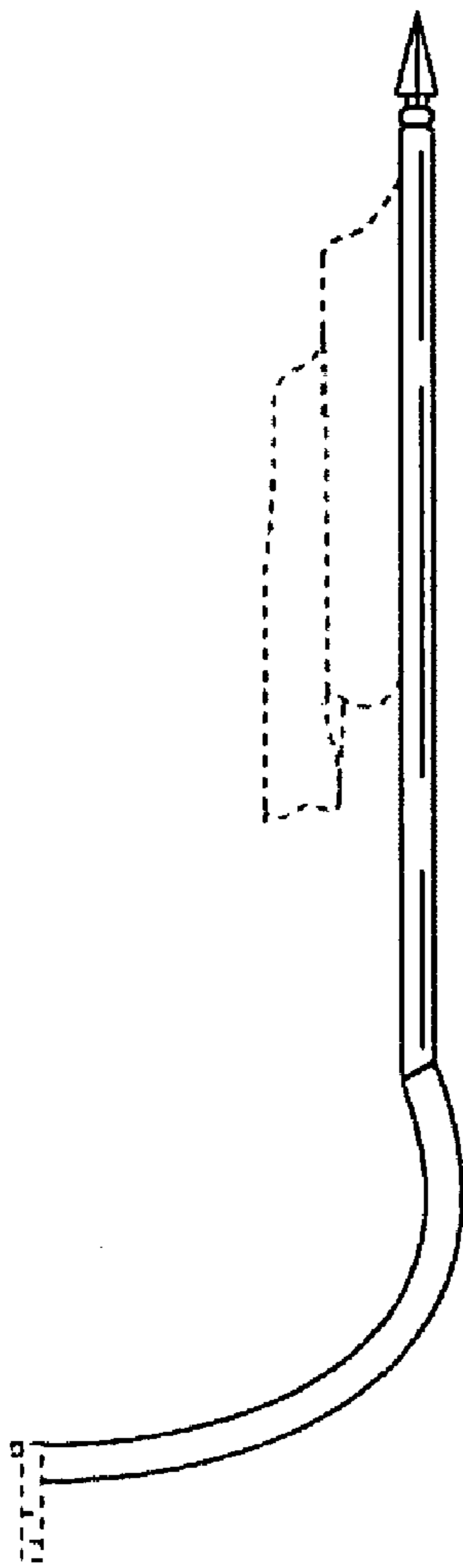


FIG. 2

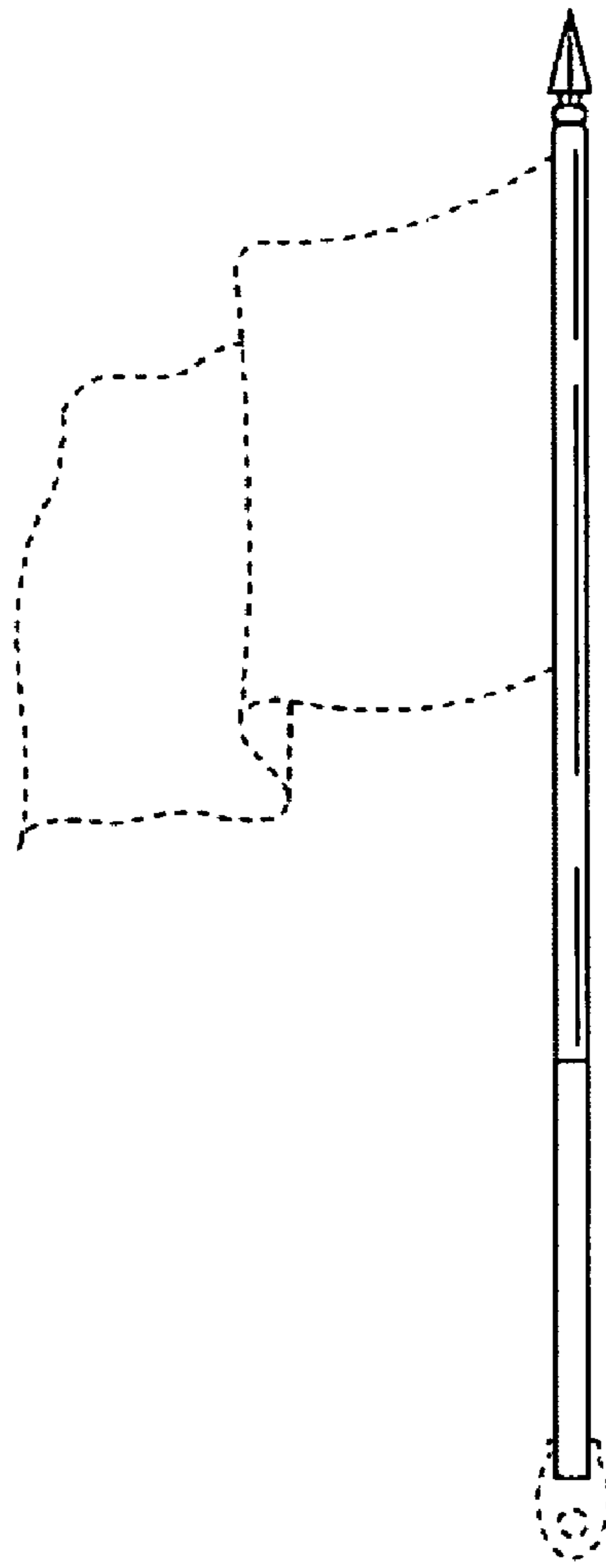


FIG. 3

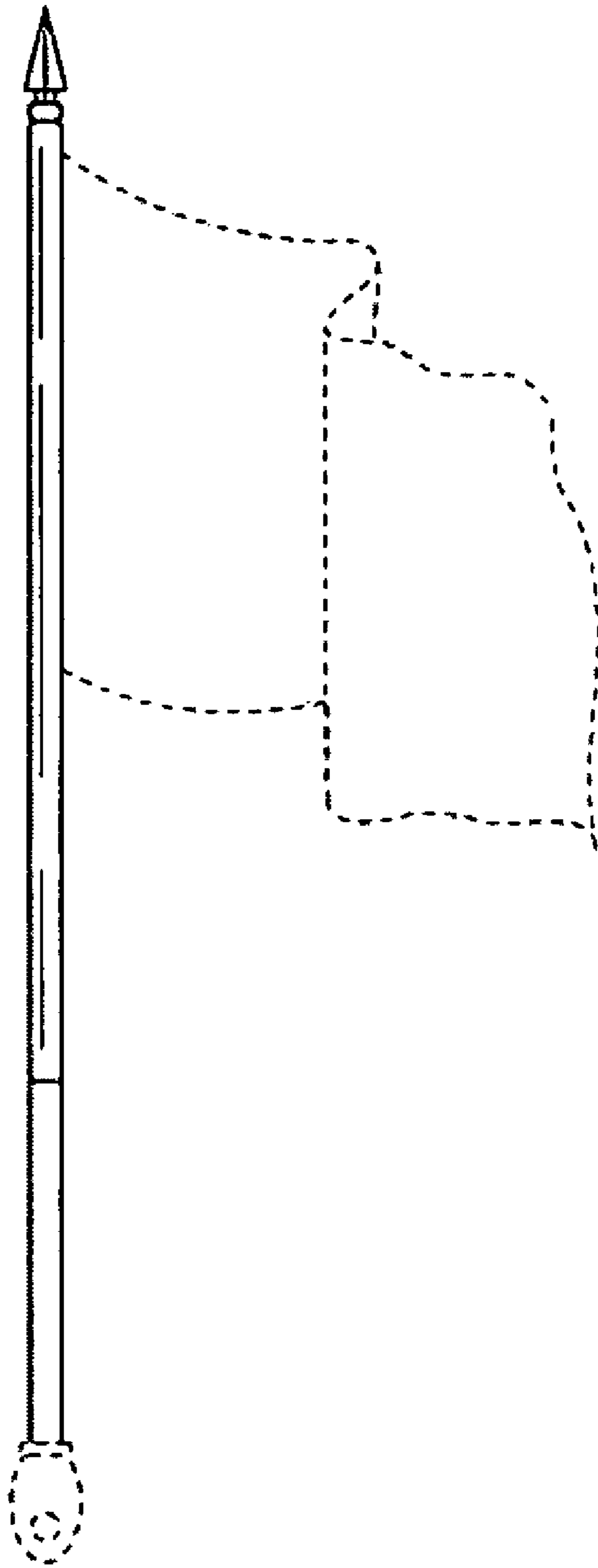


FIG. 4