

US00D592120S

(12) **United States Design Patent**  
**Grasso et al.**

(10) **Patent No.:** **US D592,120 S**  
(45) **Date of Patent:** **\*\* May 12, 2009**

(54) **CONNECTOR FOR A HOOK ARM, FOR A UNIVERSAL CONNECTION OF A WIPER BLADE**

D478,308 S \* 8/2003 Lee ..... D12/220  
D553,552 S \* 10/2007 Heng ..... D12/220  
D556,118 S \* 11/2007 Claes ..... D12/220  
D564,434 S \* 3/2008 Claes ..... D12/220  
D564,955 S \* 3/2008 Claes ..... D12/220  
D569,327 S \* 5/2008 Lin ..... D12/220

(76) Inventors: **Giuseppe Grasso**, 11, allée des Coquelicots, 63340, Le Breuil sur Couze (FR); **Philippe Espinasse**, 27, lotissement les Vergers, 63114, Coudes (FR); **Jean-Francois Rousseau**, 25, rue Montagnat, 63340, Charbonniere les Mines (FR); **Xavier Bousset**, 5, avenue Leon Blum, 63000, Clermont Ferrand (FR)

\* cited by examiner

*Primary Examiner*—Caron Veynar  
*Assistant Examiner*—Katrina A Kile  
(74) *Attorney, Agent, or Firm*—Sofer & Haroun, LLP

(\*\*) Term: **14 Years**

(57) **CLAIM**

(21) Appl. No.: **29/308,054**

We claim the ornamental design for a connector for a hook arm, for a universal connection of a wiper blade, as shown and described.

(22) Filed: **May 23, 2008**

(30) **Foreign Application Priority Data**

**DESCRIPTION**

Feb. 6, 2008 (EM) ..... 000 873 708

(51) **LOC (9) Cl.** ..... **12-06**

(52) **U.S. Cl.** ..... **D12/220**

(58) **Field of Classification Search** ..... D12/219–220;  
15/246, 247, 250.001, 250.04, 250.361, 250.19,  
15/250.48, 250.03, 250.31–250.33, 250.351,  
15/250.38, 250.201, 250.451, 250.458, 250.07,  
15/250.44

See application file for complete search history.

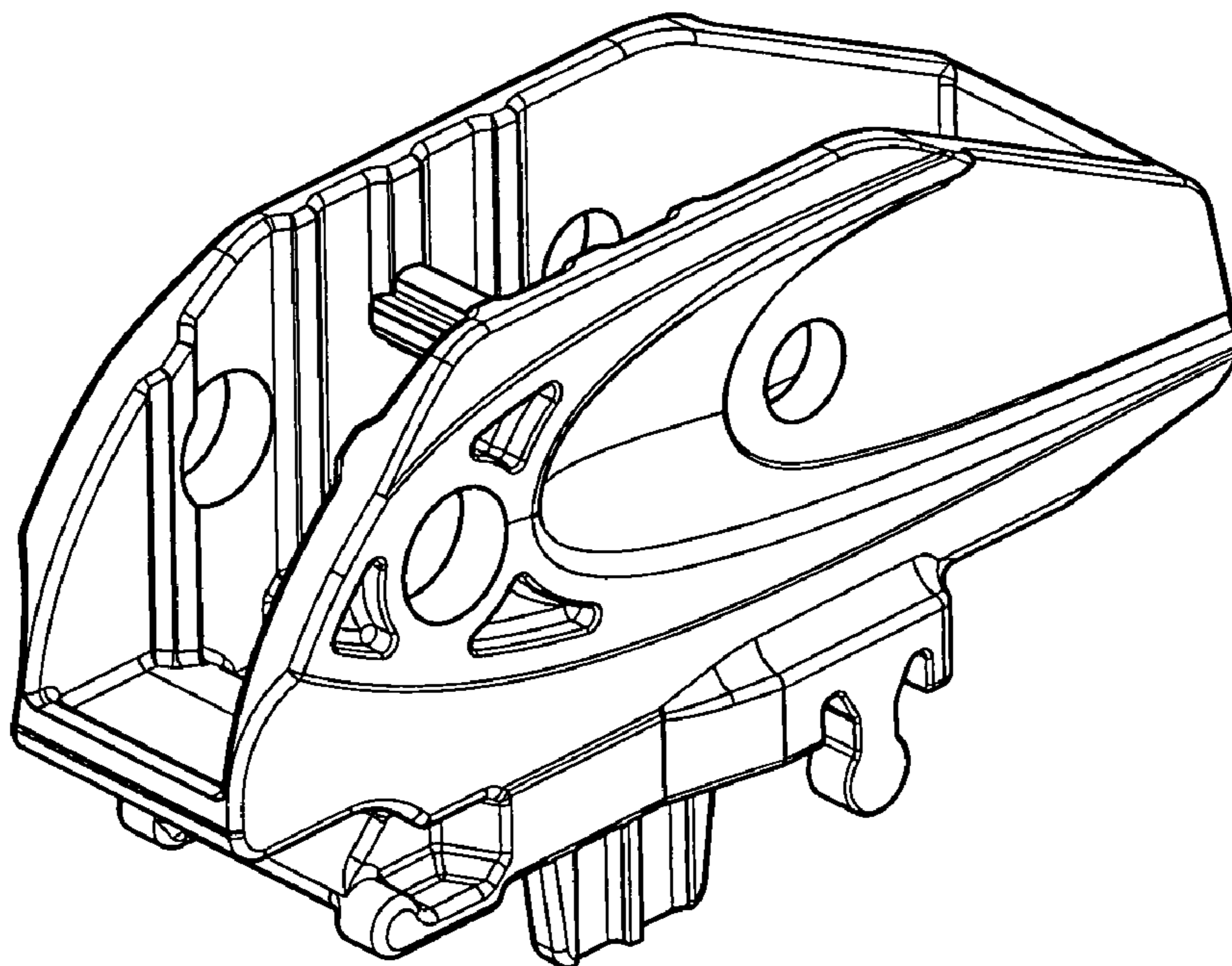
FIG. 1 is a left side view of a connector for a hook arm, for a universal connection of a wiper blade showing our design; FIG. 2 shows the connector of FIG. 1 in a top view; FIG. 3 shows the connector of FIG. 1 in a right side view; FIG. 4 shows the connector of FIG. 1 in a bottom view; FIG. 5 shows the connector of FIG. 1 in a rear view; FIG. 6 shows the connector of FIG. 1 in a front view; and, FIG. 7 shows the connector of FIG. 1 in a left side perspective view.

(56) **References Cited**

**U.S. PATENT DOCUMENTS**

5,885,023 A \* 3/1999 Witek et al. .... 403/321

**1 Claim, 2 Drawing Sheets**



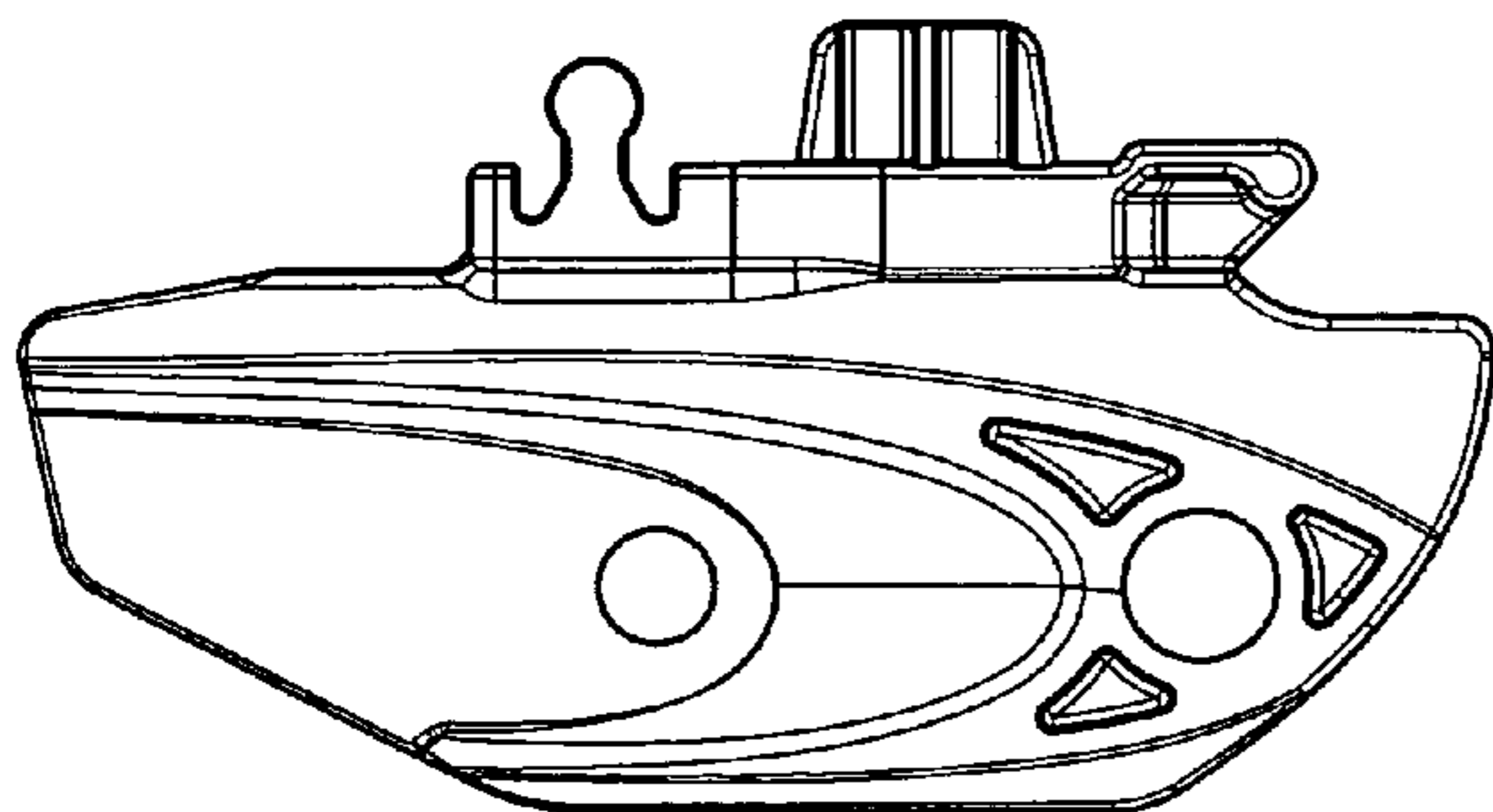


Figure 1

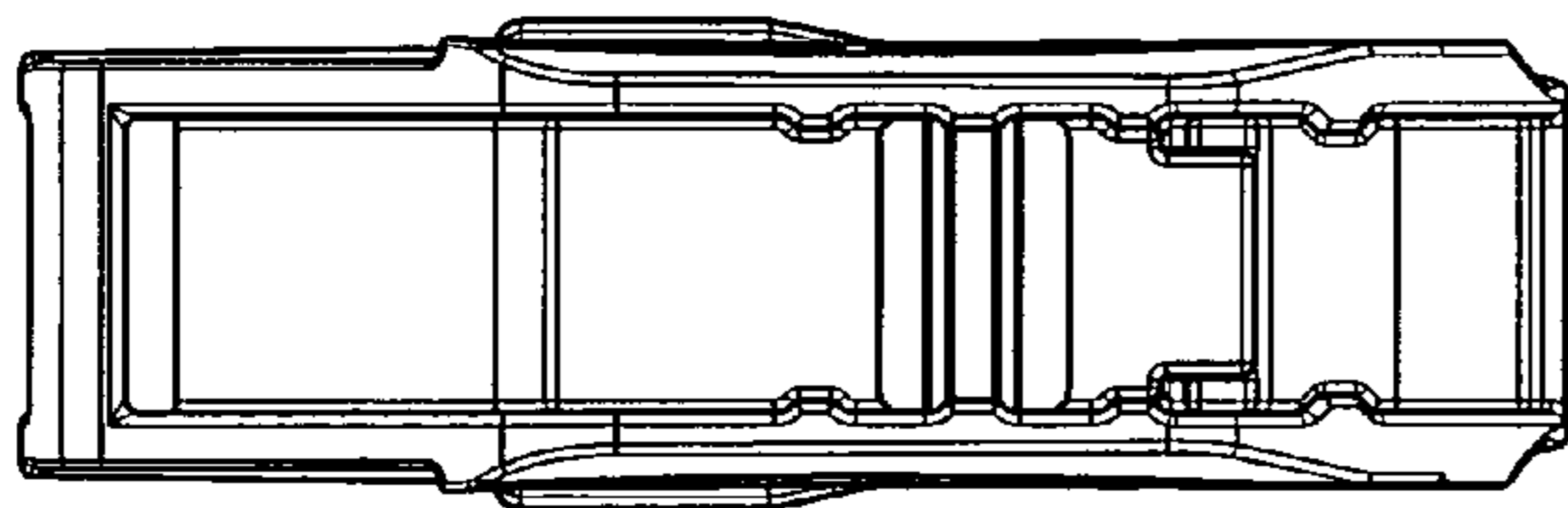


Figure 2

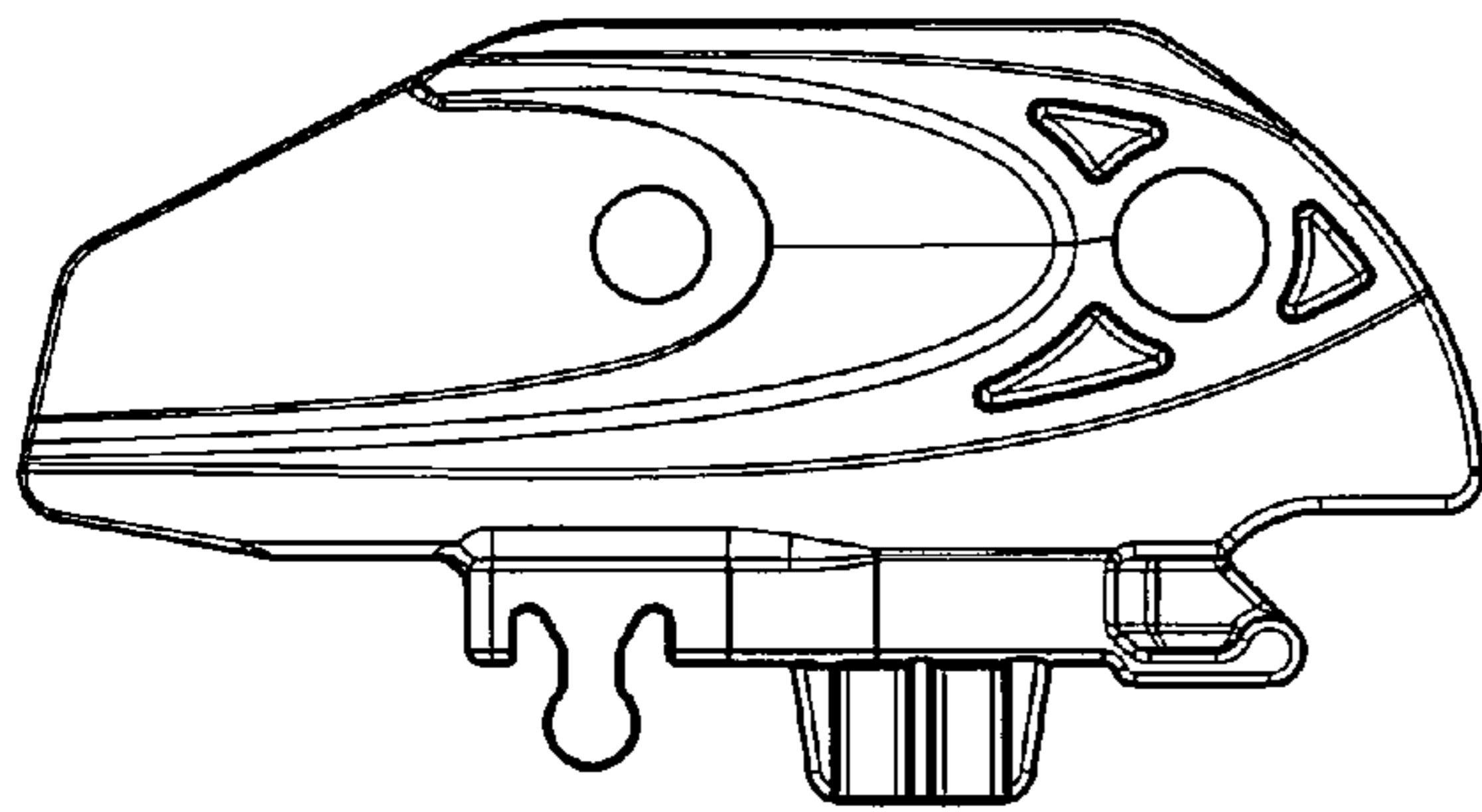


Figure 3

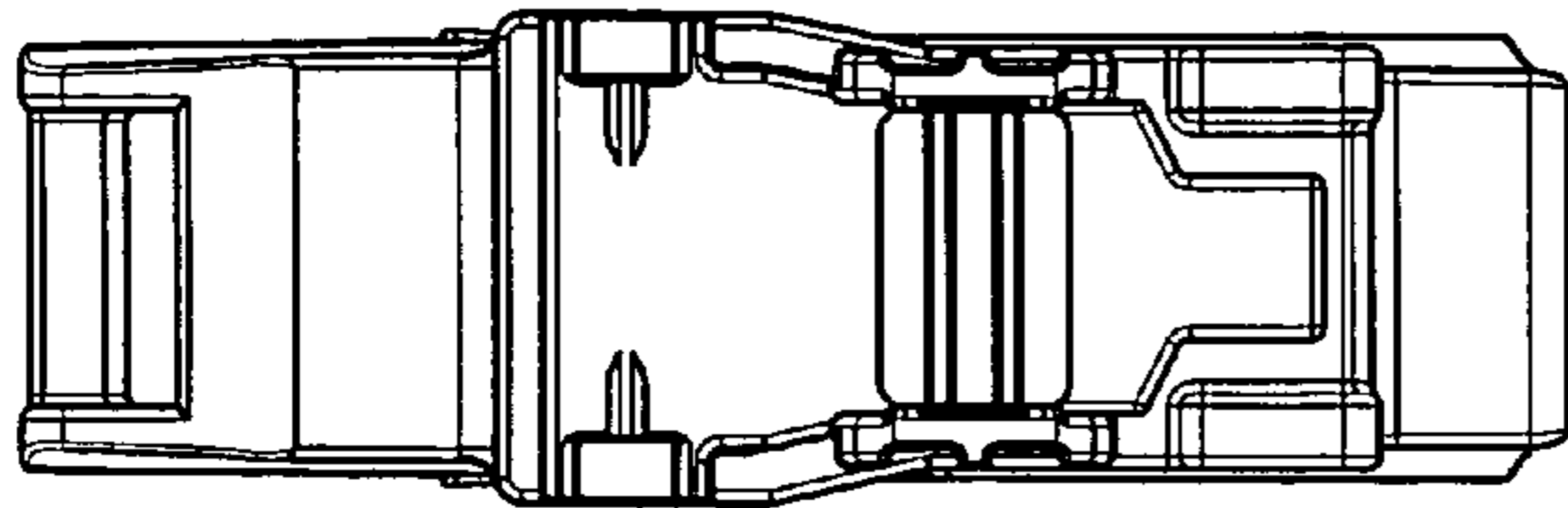


Figure 4

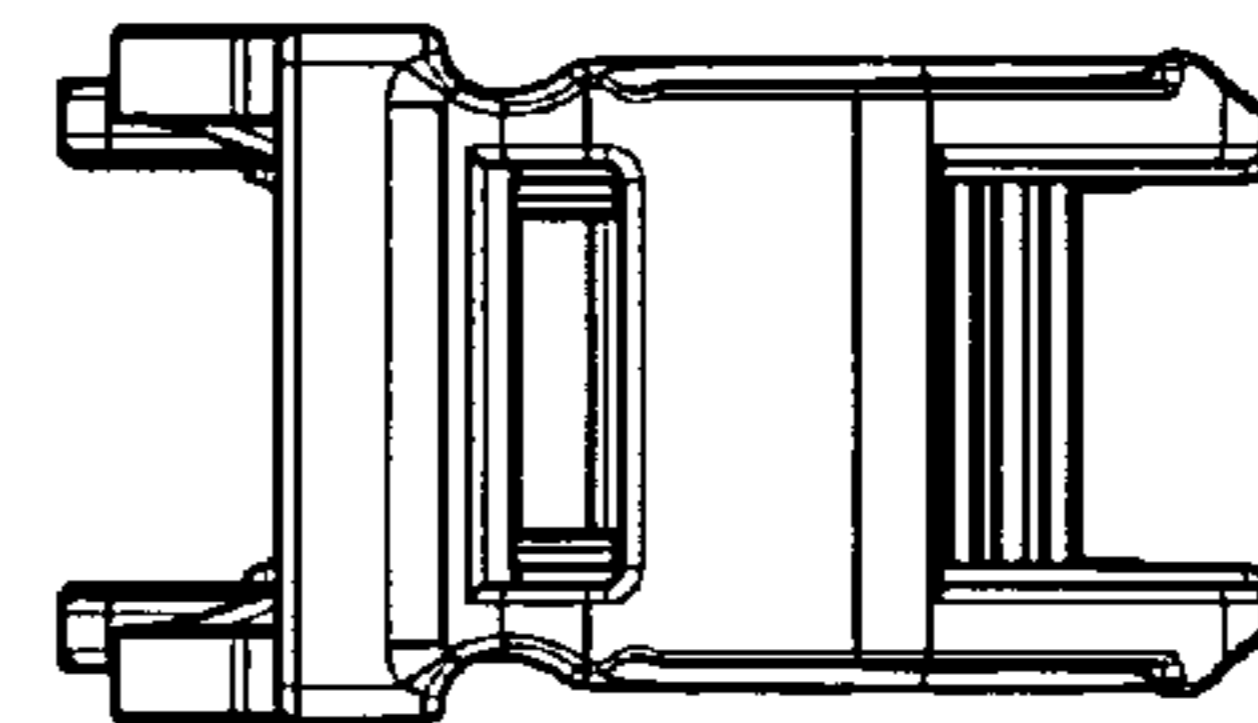


Figure 5

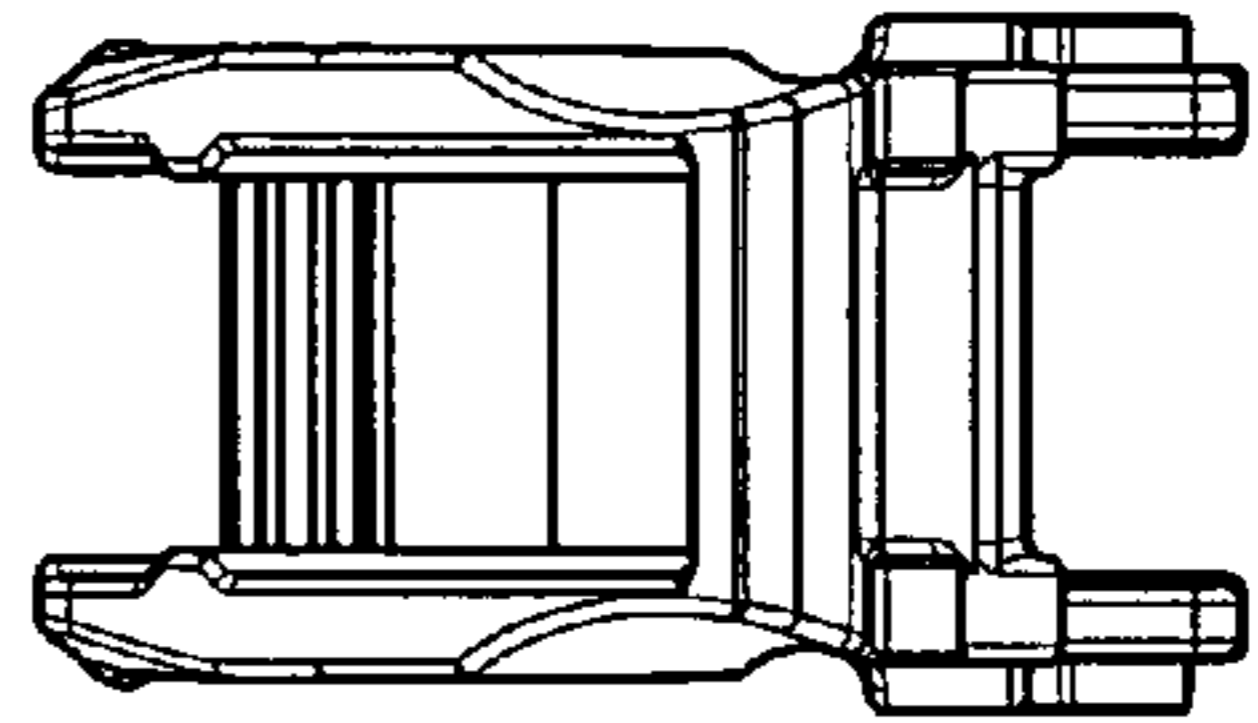


Figure 6

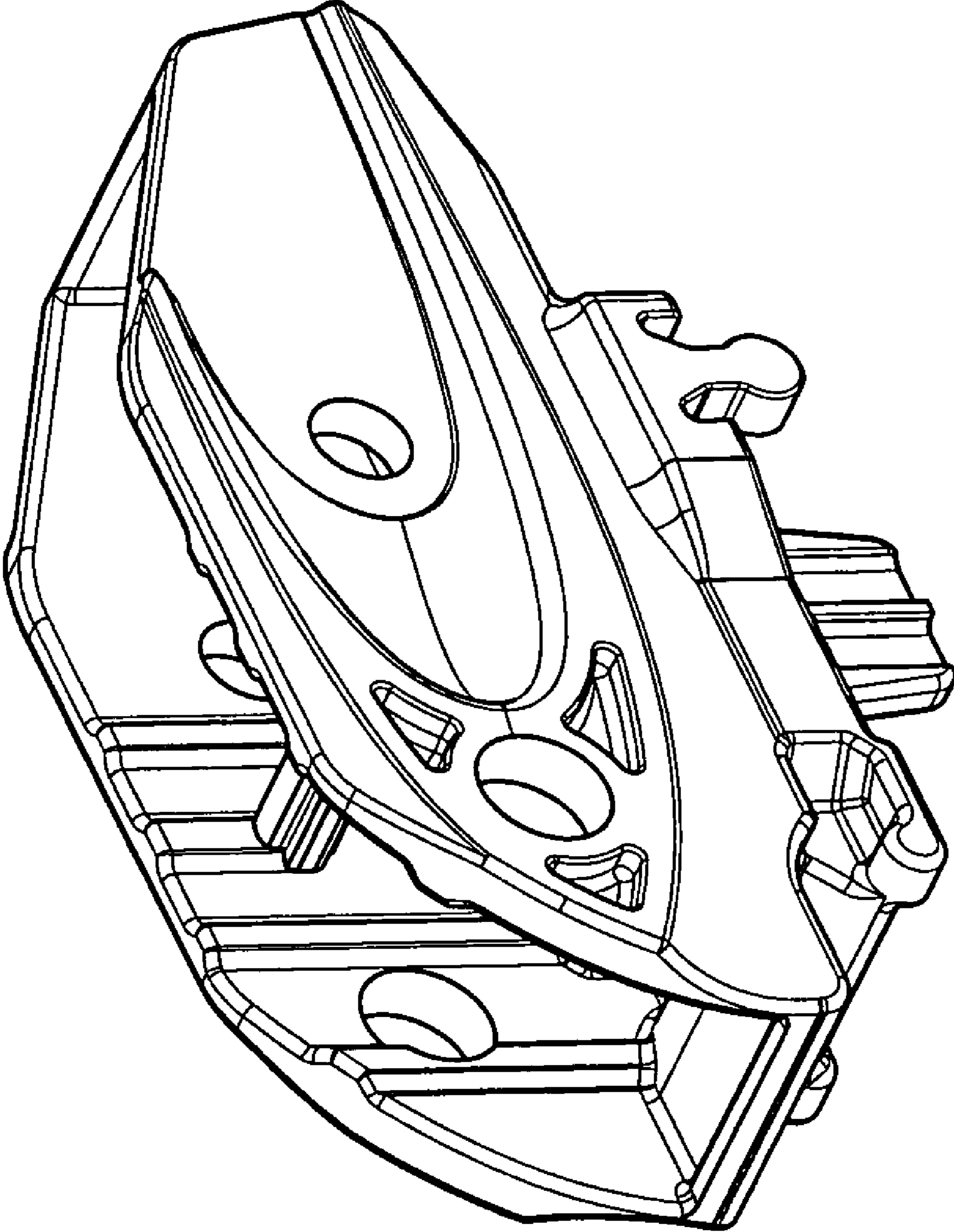


Figure 7