



US00D592114S

(12) **United States Design Patent**
Tombazis

(10) **Patent No.:** **US D592,114 S**

(45) **Date of Patent:** **** May 12, 2009**

(54) **STEERING WHEEL INCLUDING STEERING WHEEL FOR CAR AND STEERING WHEEL FOR GAME CONTROLLER**

D500,028 S * 12/2004 Hoehn et al. D12/176
D548,653 S * 8/2007 Costa D12/176

* cited by examiner

(75) Inventor: **Nikolaos Tombazis**, Castelnuovo Rangone (IT)

Primary Examiner—Antoine D Davis

(73) Assignee: **Ferrari S.p.A.**, Modena (IT)

(74) *Attorney, Agent, or Firm*—Cowan, Liebowitz & Latman, PC

(**) Term: **14 Years**

(57) **CLAIM**

(21) Appl. No.: **29/320,086**

The ornamental design for a steering wheel including steering wheel for car and steering wheel for game controller, as shown and described.

(22) Filed: **Jun. 19, 2008**

(30) **Foreign Application Priority Data**

DESCRIPTION

Dec. 21, 2007 (EM) 000849153
Dec. 21, 2007 (EM) 000849161

FIG. 1 is a front view of the steering wheel including steering wheel for car and steering wheel for game controller showing my design thereof;

(51) **LOC (9) Cl.** **12-16**

FIG. 2 is a rear view thereof;

(52) **U.S. Cl.** **D12/176**

FIG. 3 is a left side view thereof;

(58) **Field of Classification Search** D12/175-177;
74/552, 558, 558.2; D14/218, 299, 137-139,
D14/191-193; D21/512-517, 566
See application file for complete search history.

FIG. 4 is a right side view thereof;

FIG. 5 is a top view thereof;

FIG. 6 is a bottom view thereof;

(56) **References Cited**

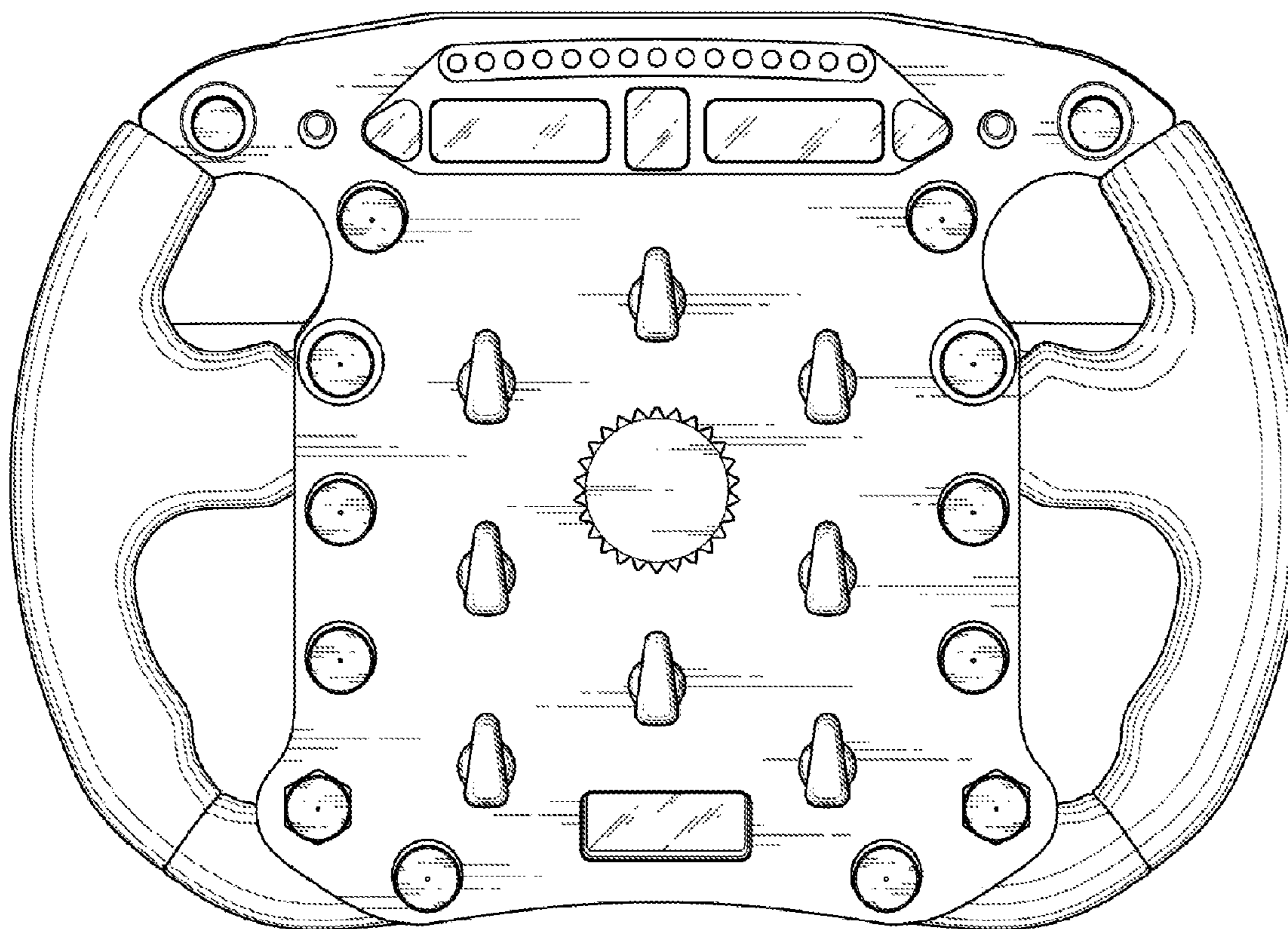
FIG. 7 is a front perspective view thereof; and,

FIG. 8 is a rear perspective view thereof.

U.S. PATENT DOCUMENTS

5,219,415 A * 6/1993 Weinstein 74/552

1 Claim, 7 Drawing Sheets



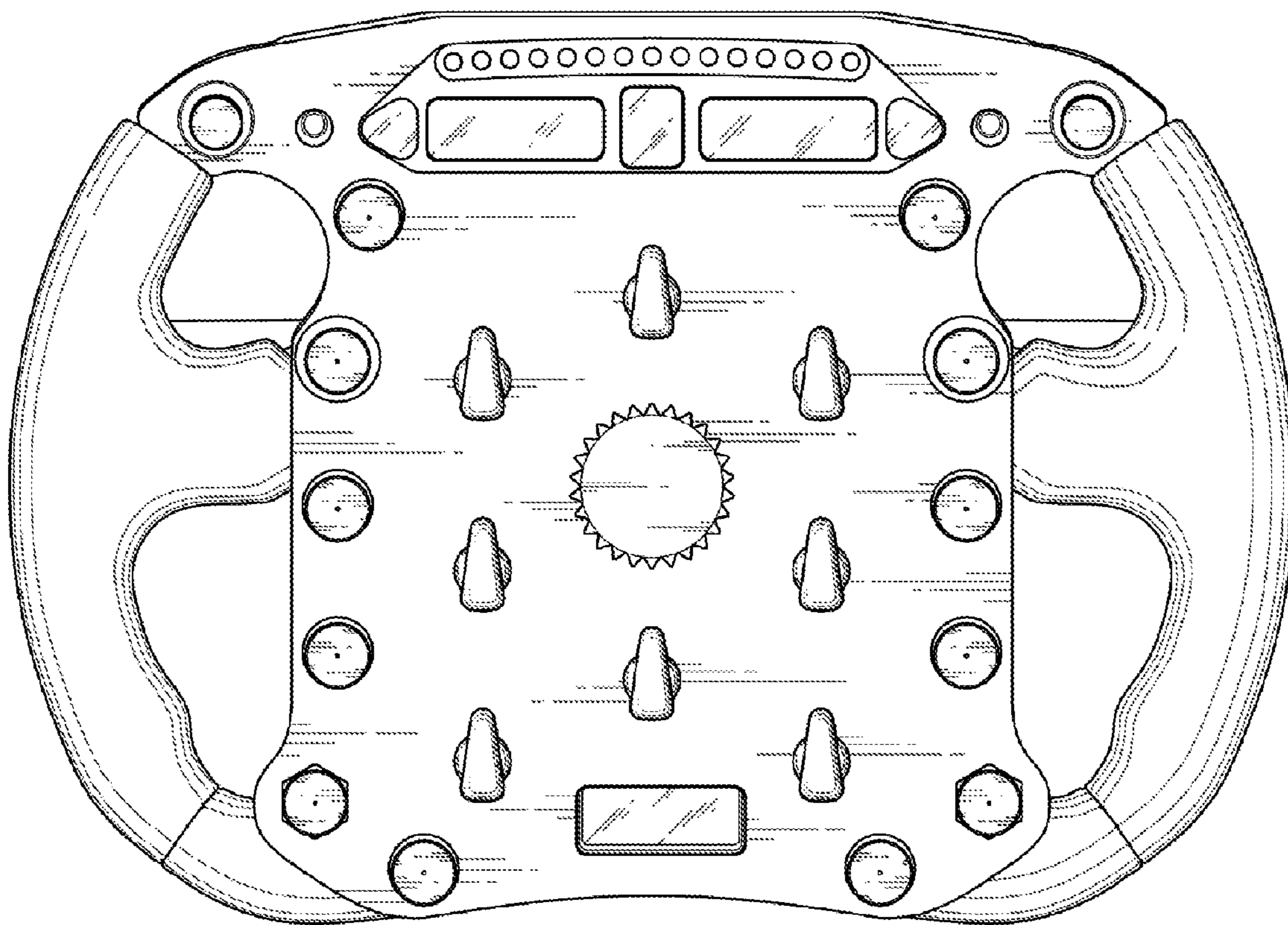


FIG.1

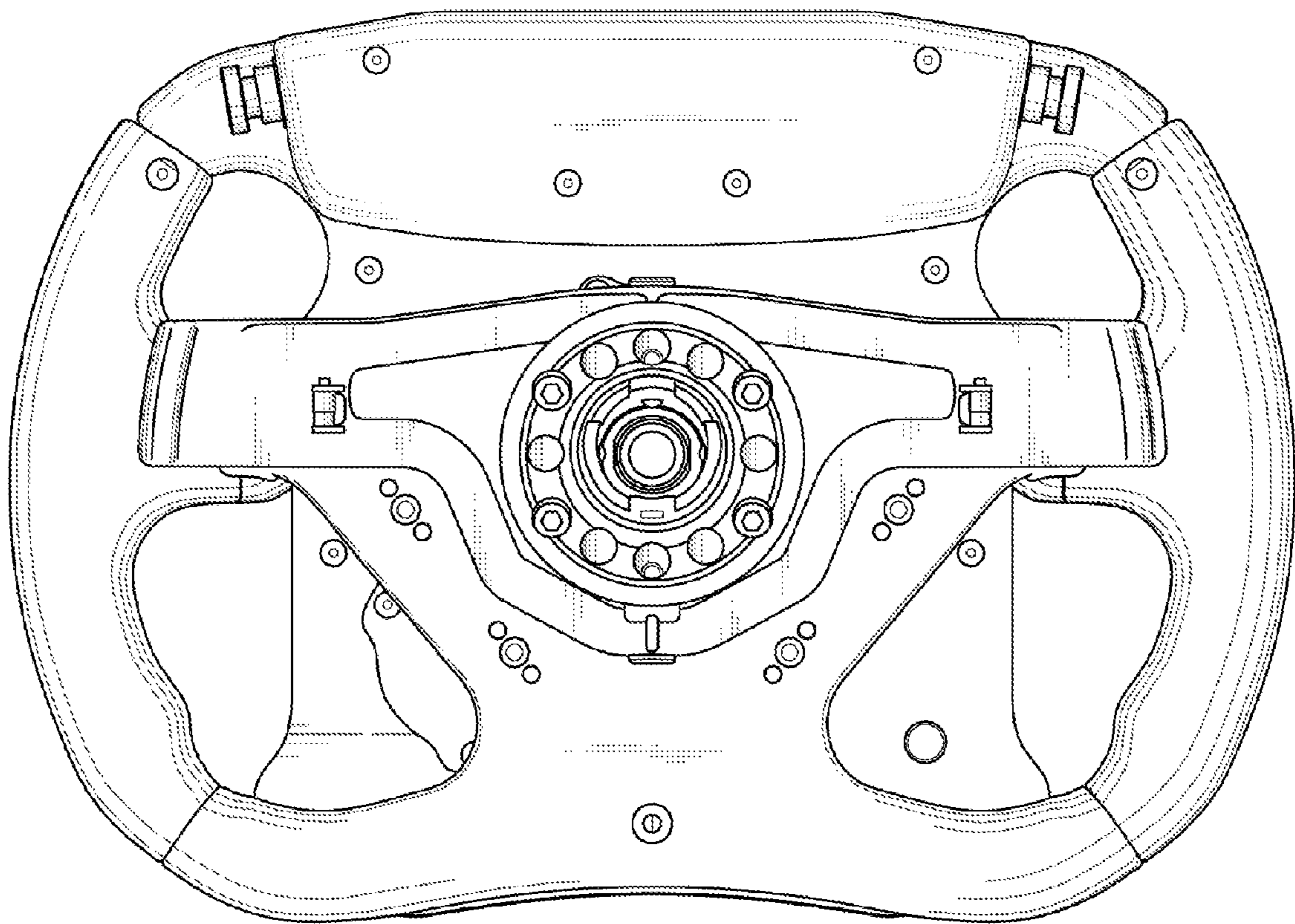


FIG.2

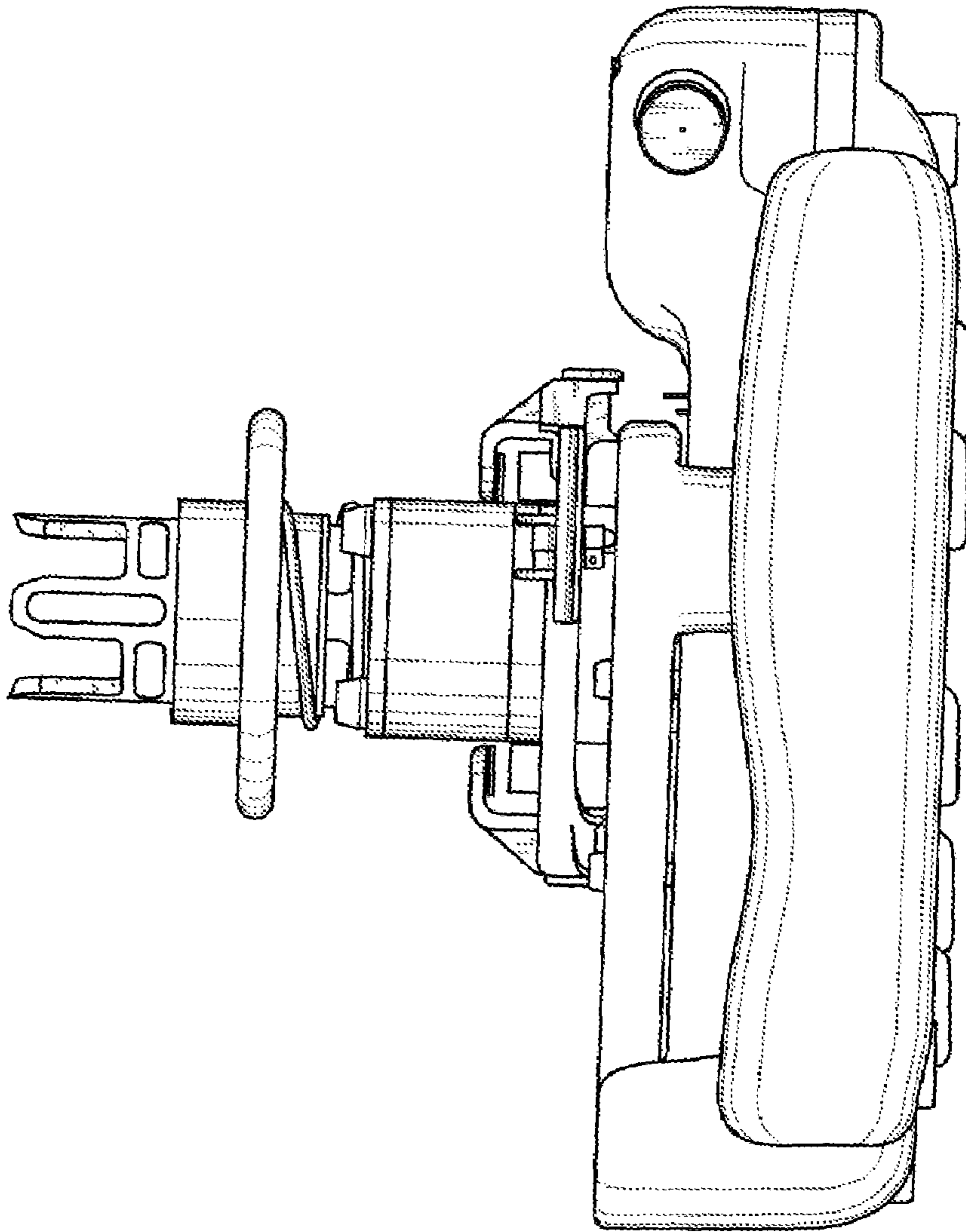


FIG.3

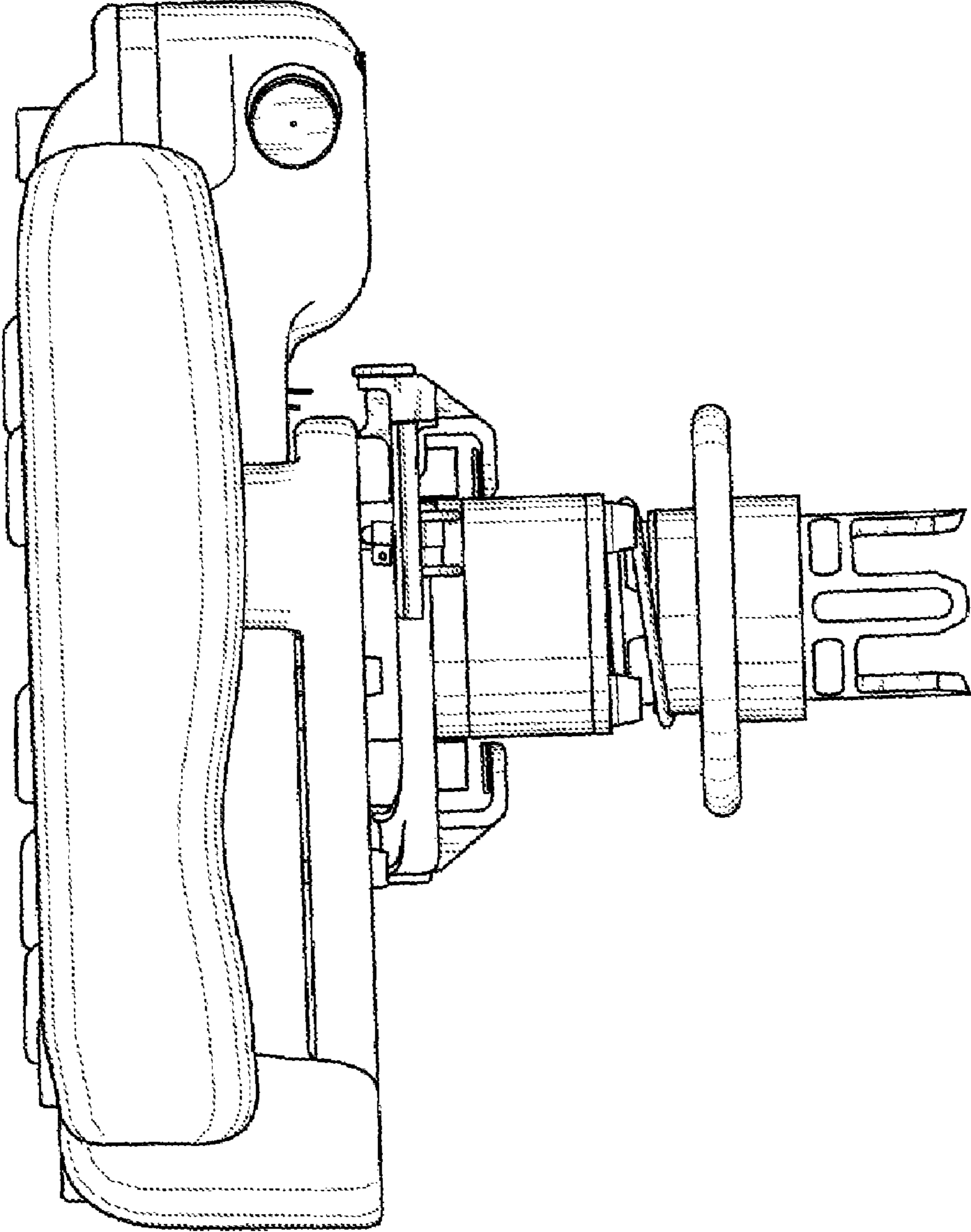


FIG.4

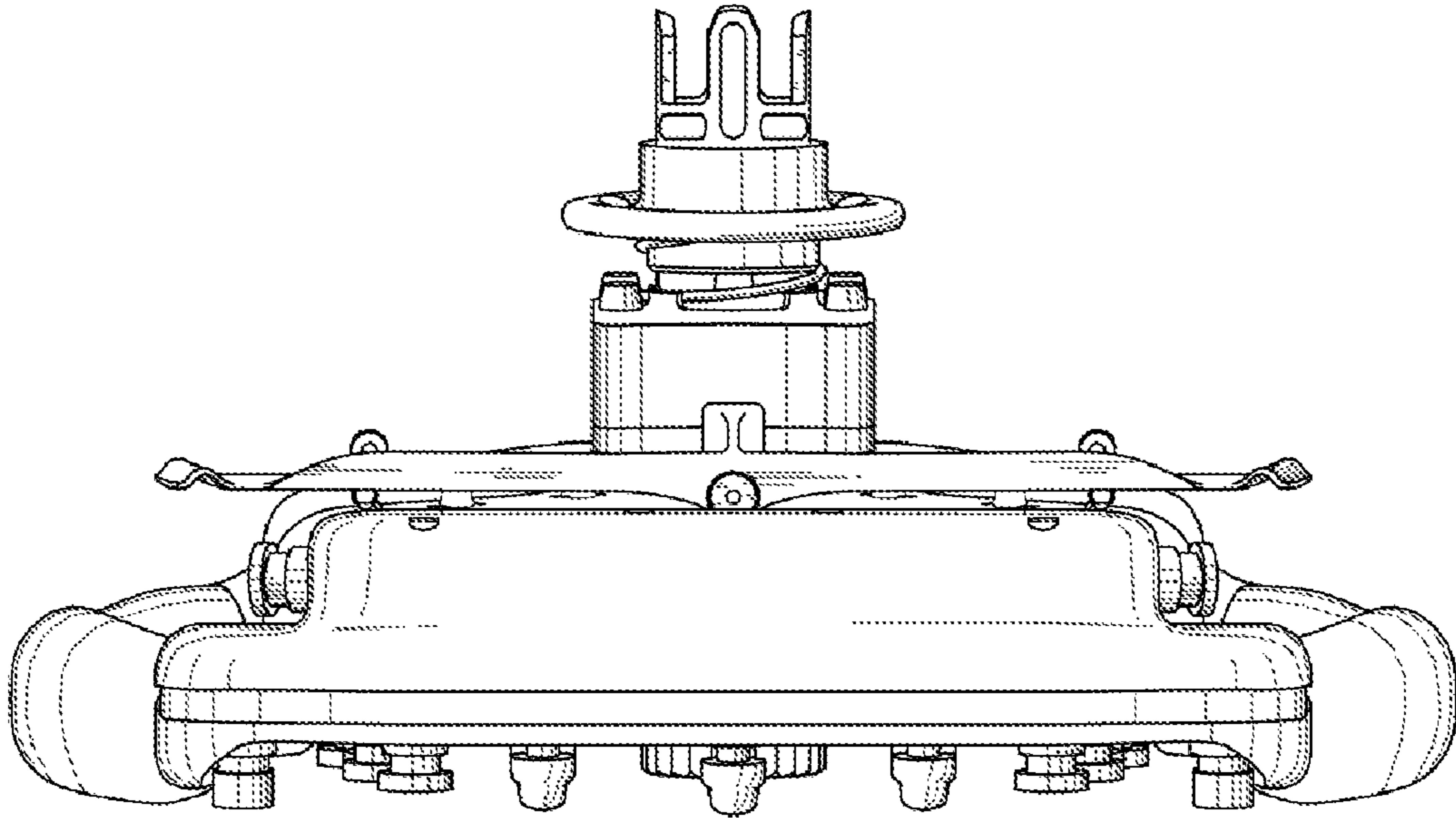


FIG.5

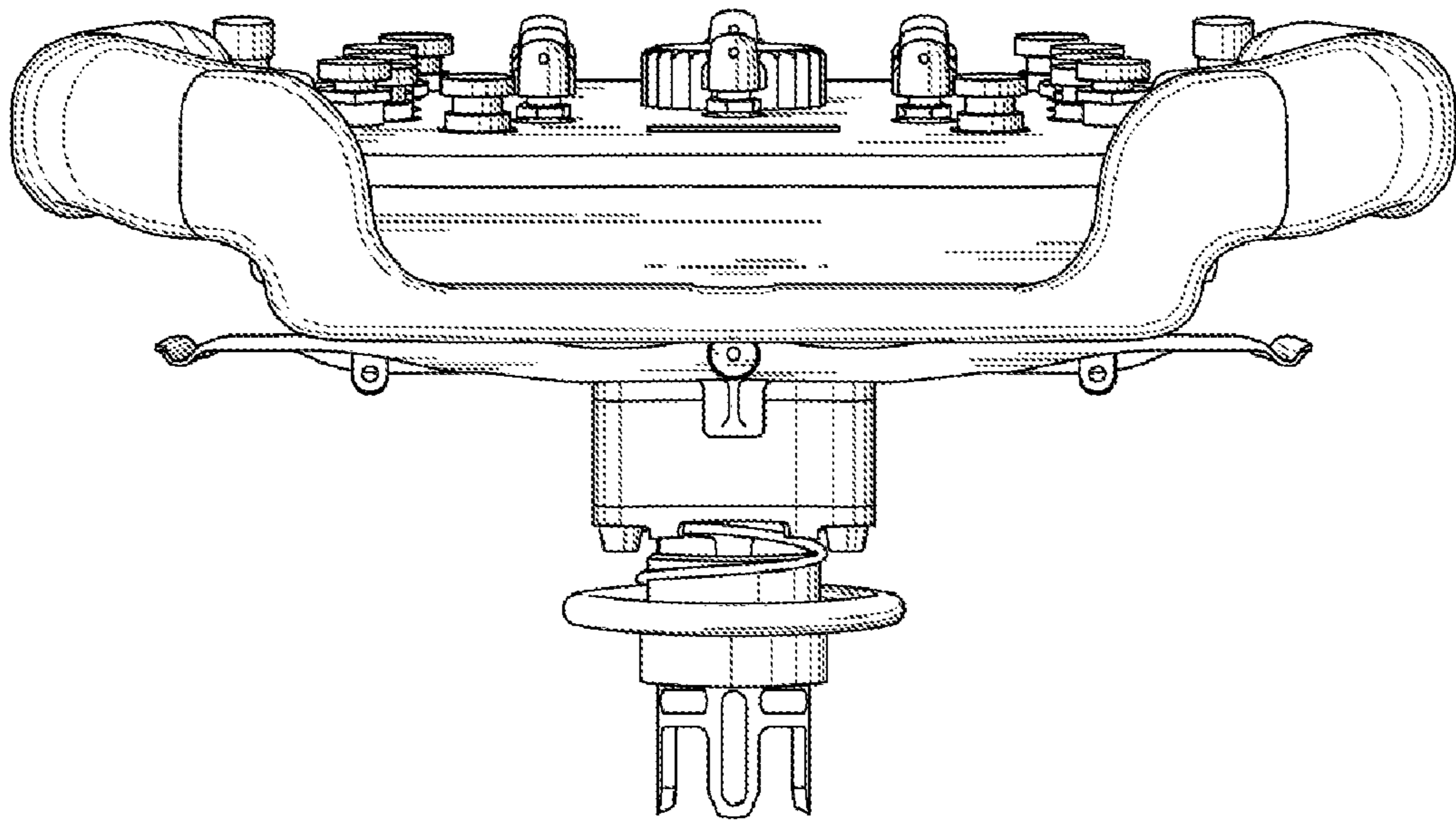


FIG.6

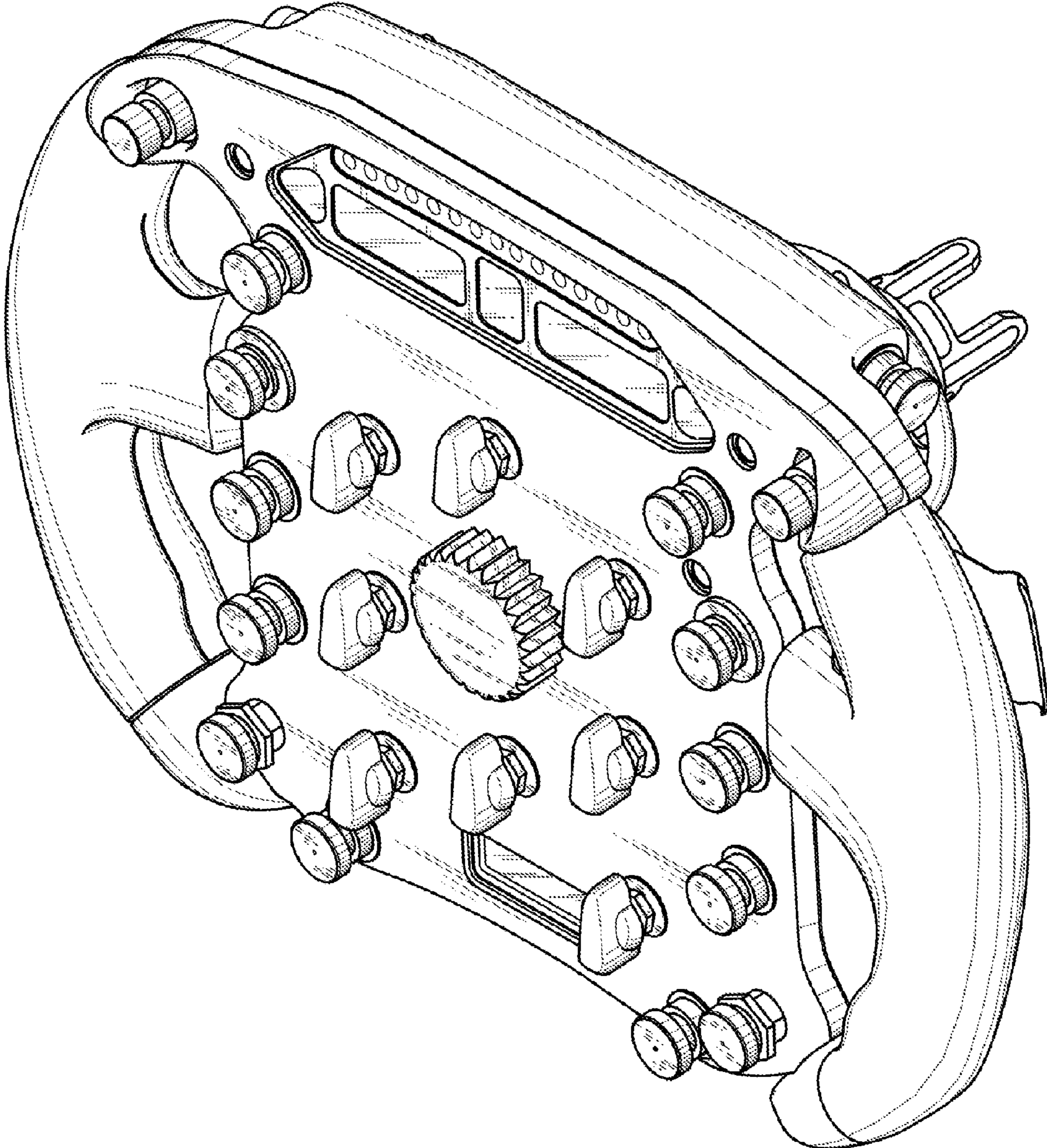


FIG.7

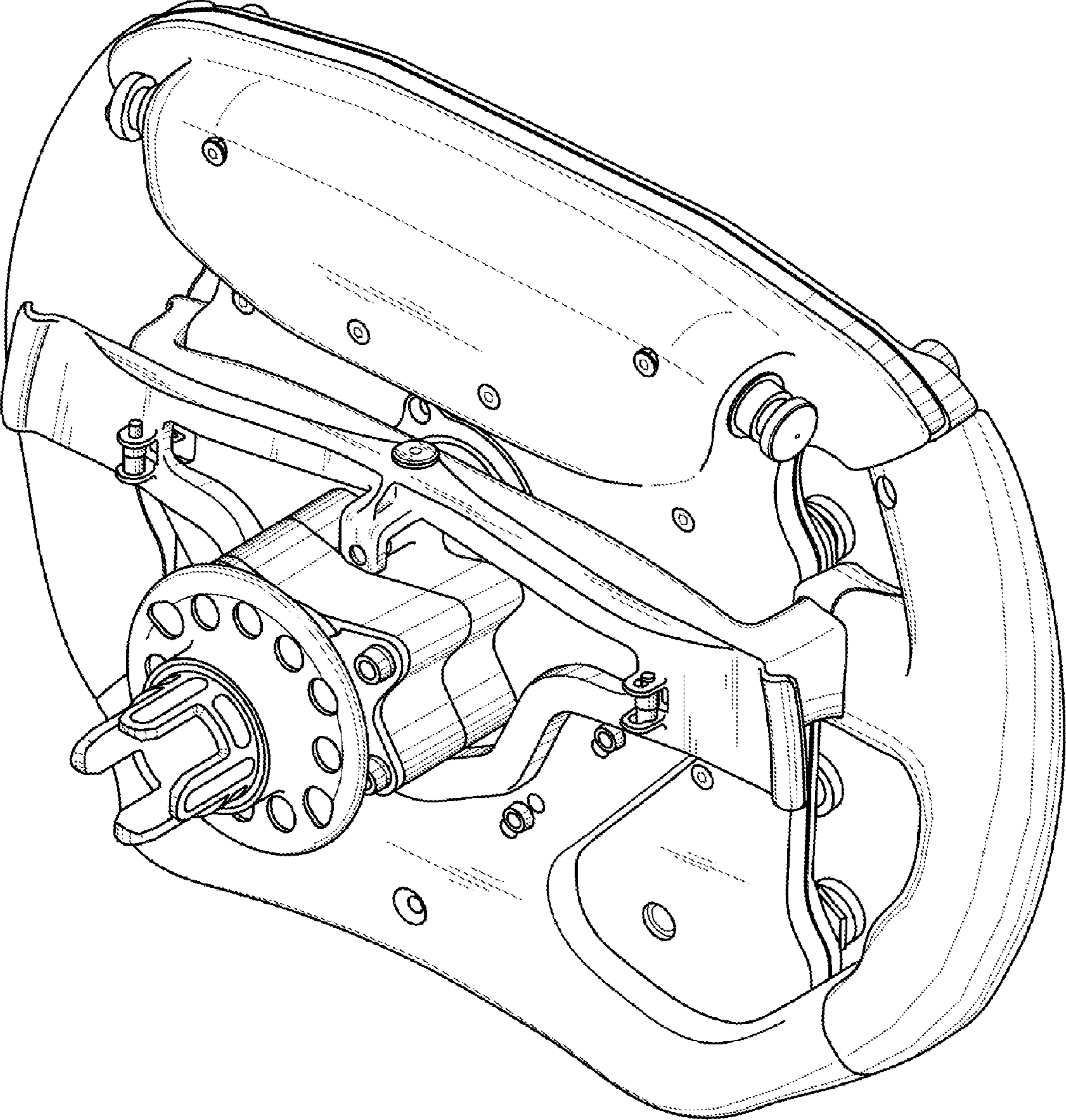


FIG.8