



US00D592112S

(12) **United States Design Patent**
Zheng

(10) **Patent No.:** **US D592,112 S**

(45) **Date of Patent:** **** May 12, 2009**

(54) **FRONT BUMPER FOR AUTOMOBILE**

D535,922 S * 1/2007 Kulla D12/169
D559,745 S * 1/2008 Hieke D12/169
D563,841 S * 3/2008 Pfeiffer D12/169

(75) Inventor: **Chunhong Zheng**, Baoding (CN)

(73) Assignee: **Great Wall Motor Company Limited**,
Baoding, Hebei Province (CN)

* cited by examiner

(**) Term: **14 Years**

Primary Examiner—Melody N Brown
(74) *Attorney, Agent, or Firm*—Robert L. Epstein; Epstein
Drangel Bazerman & James, LLP

(21) Appl. No.: **29/289,959**

(22) Filed: **Aug. 6, 2007**

(57) **CLAIM**

(30) **Foreign Application Priority Data**

The ornamental design for a front bumper for an automobile,
substantially as shown and described.

Feb. 7, 2007 (CN) 2007 3 0000988

DESCRIPTION

(51) **LOC (9) Cl.** **12-16**

FIG. 1 is a perspective view showing the front and top of my
invention;

(52) **U.S. Cl.** **D12/169**

FIG. 2 is a front elevation view of my invention;

(58) **Field of Classification Search** D12/169,
D12/196, 171, 163, 216, 90–92, 86; 293/102,
293/113, 115, 117, 120; 296/180.1, 180,
296/2

FIG. 3 is a rear elevation view of my invention;

See application file for complete search history.

FIG. 4 is a right-side elevation view of my invention;

FIG. 5 is a left-side elevation view of my invention;

(56) **References Cited**

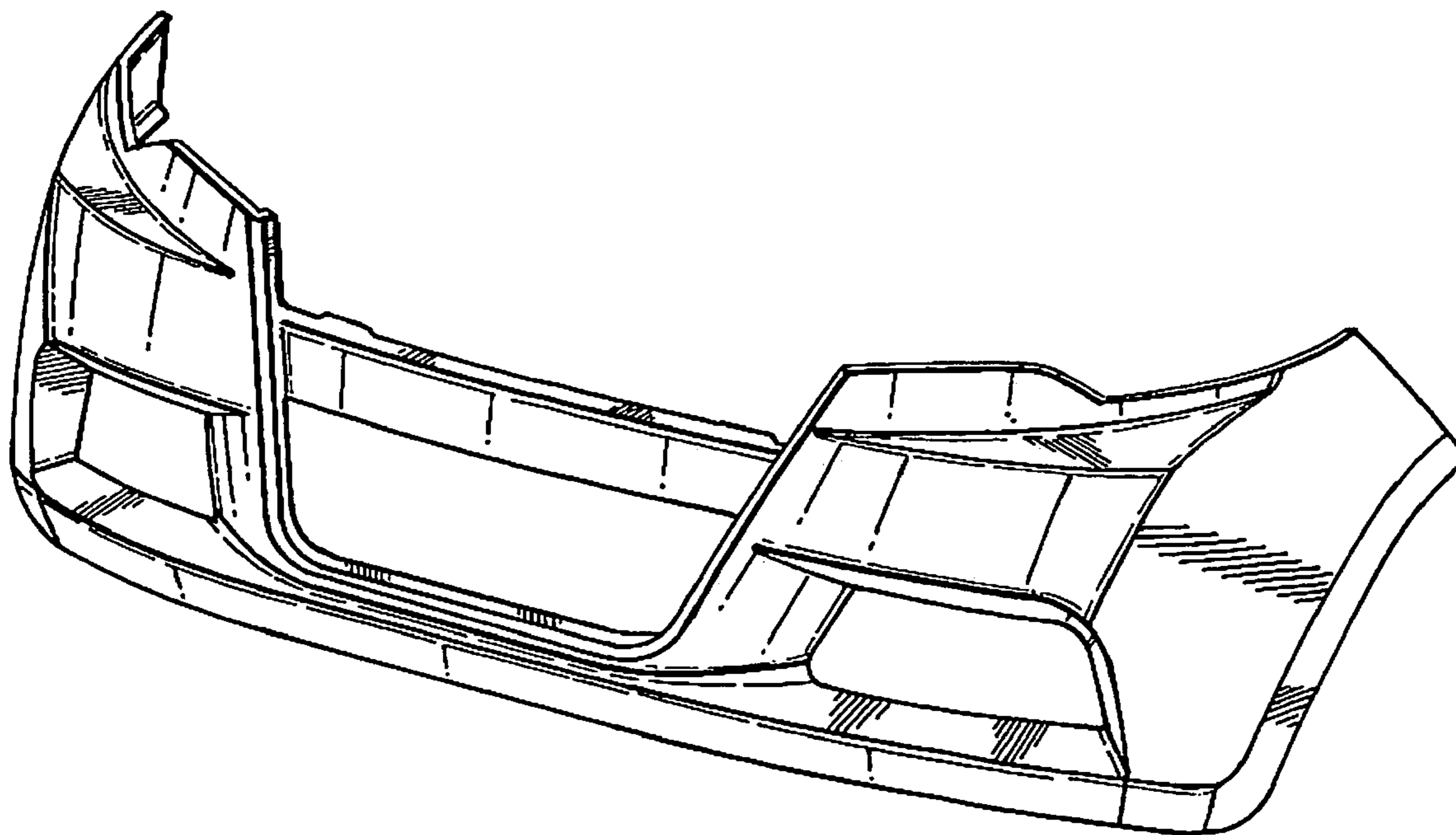
FIG. 6 is a top elevation plan view of my invention; and,

FIG. 7 is a bottom elevation plan view of my invention.

U.S. PATENT DOCUMENTS

D479,822 S * 9/2003 Yokomaku D12/196

1 Claim, 4 Drawing Sheets



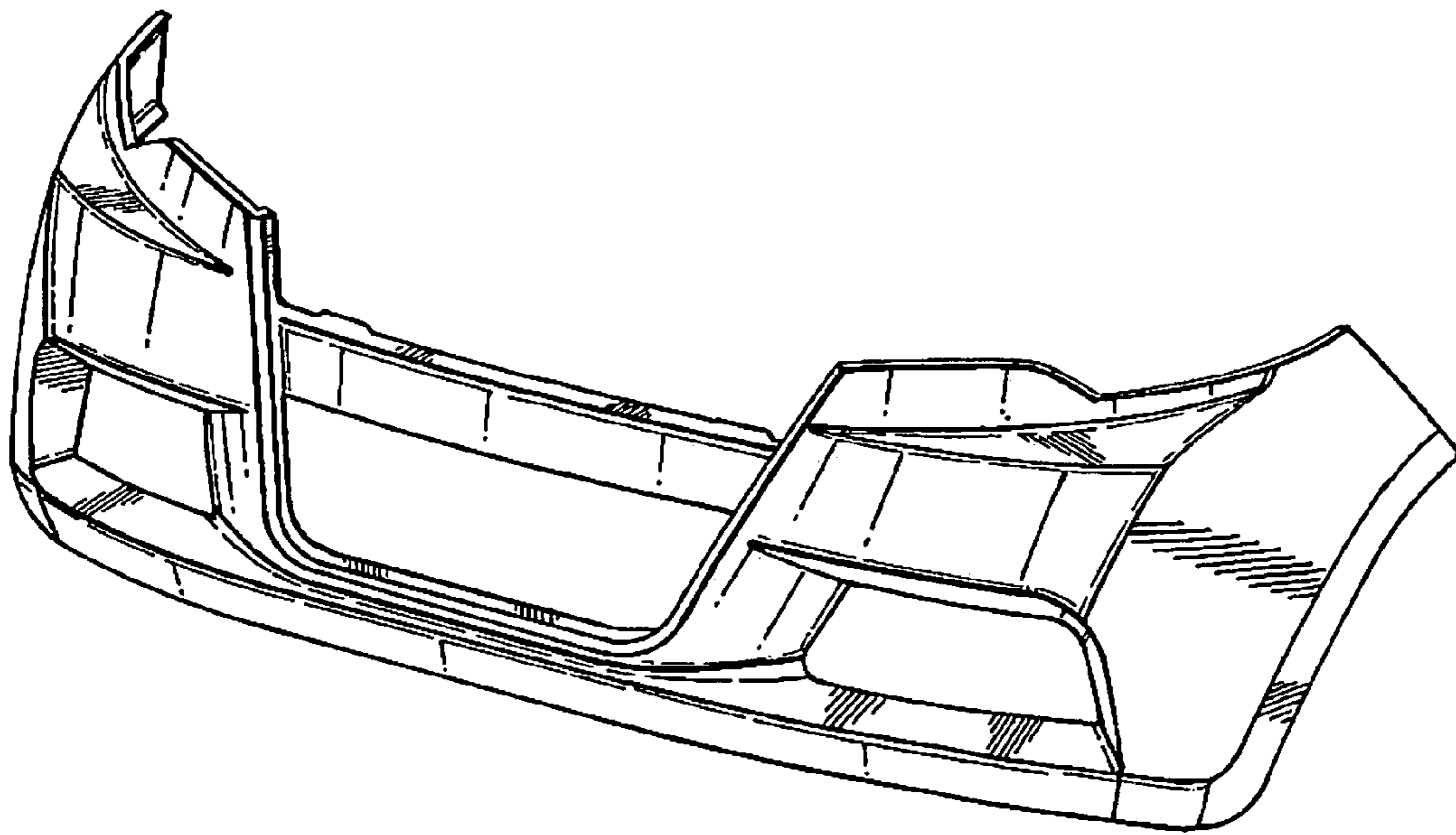


Fig. 1

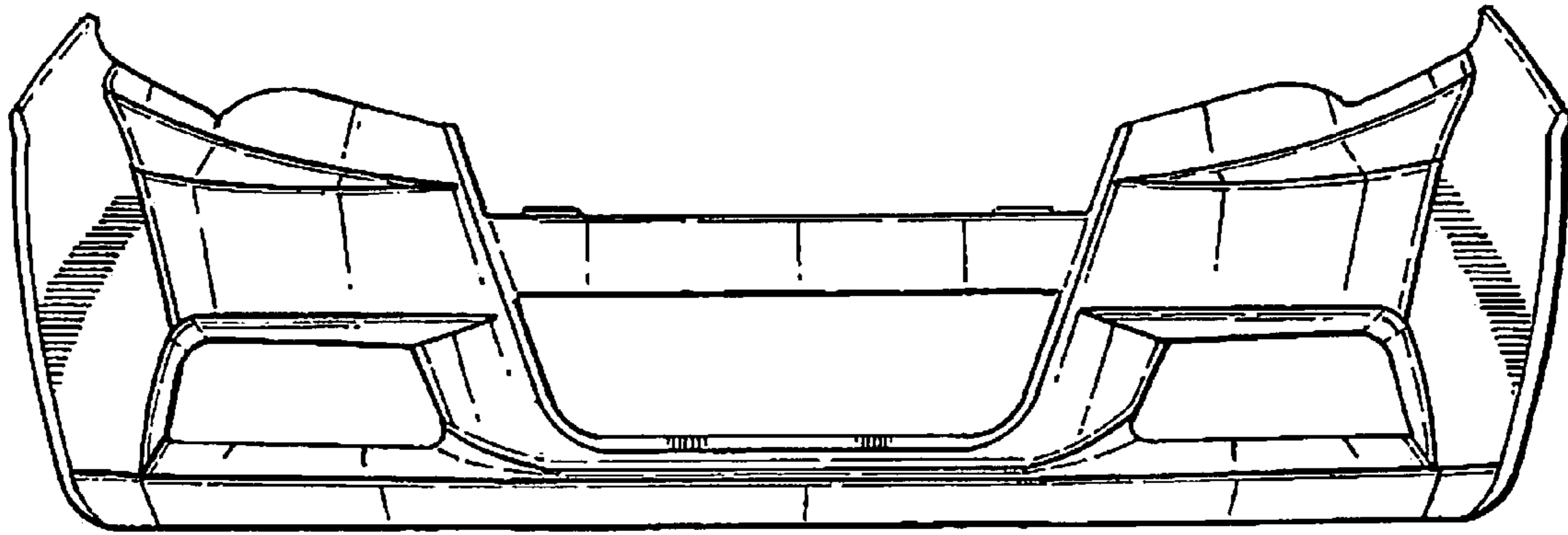


Fig. 2

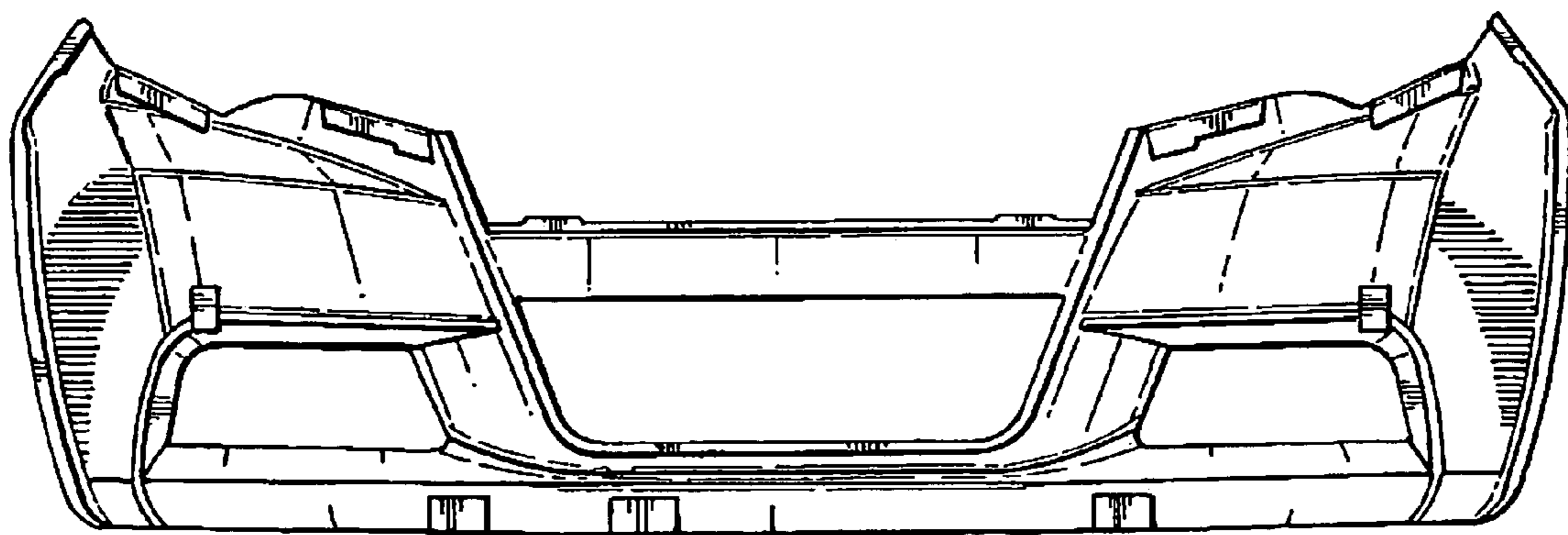


Fig. 3

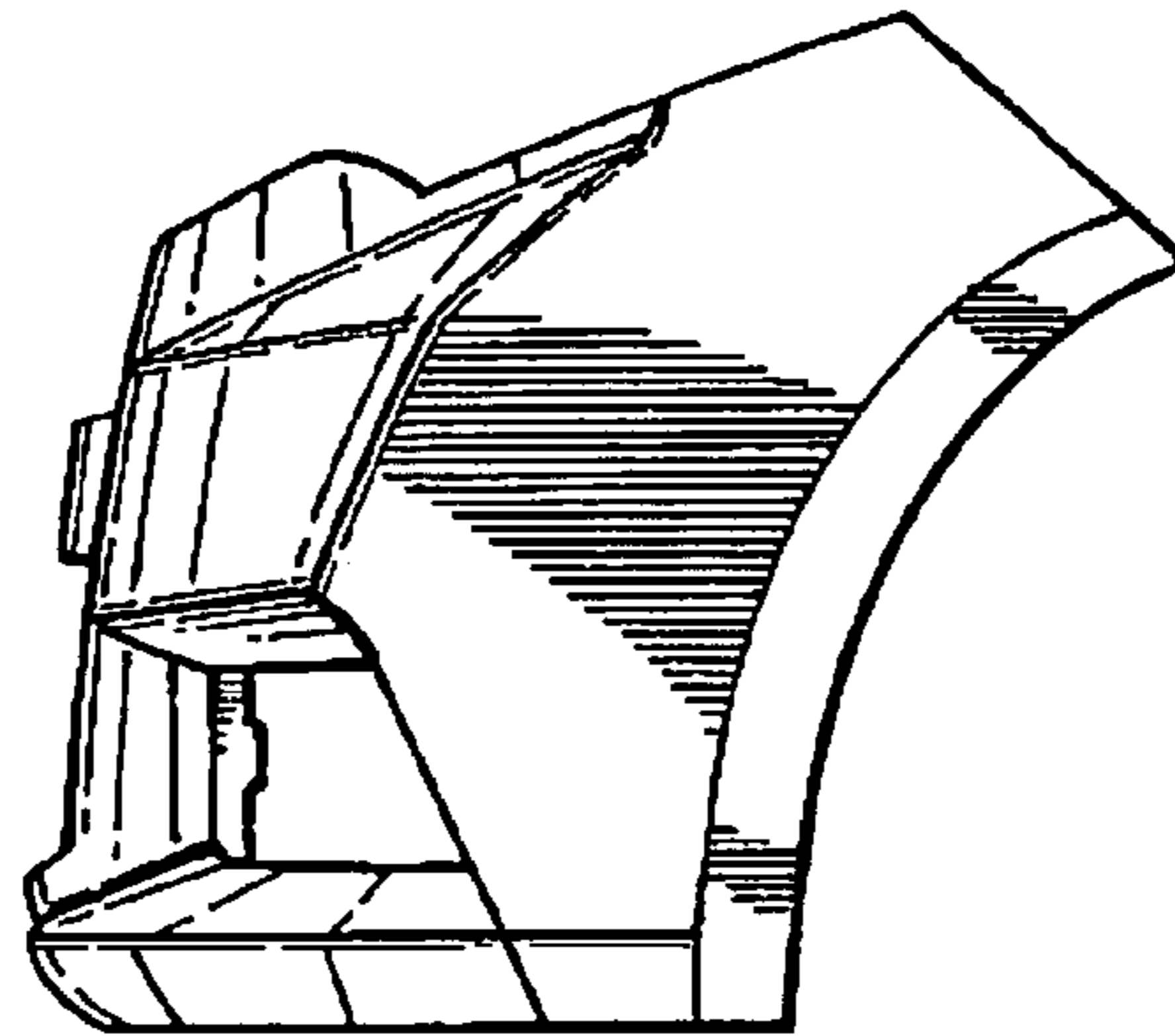


Fig. 4

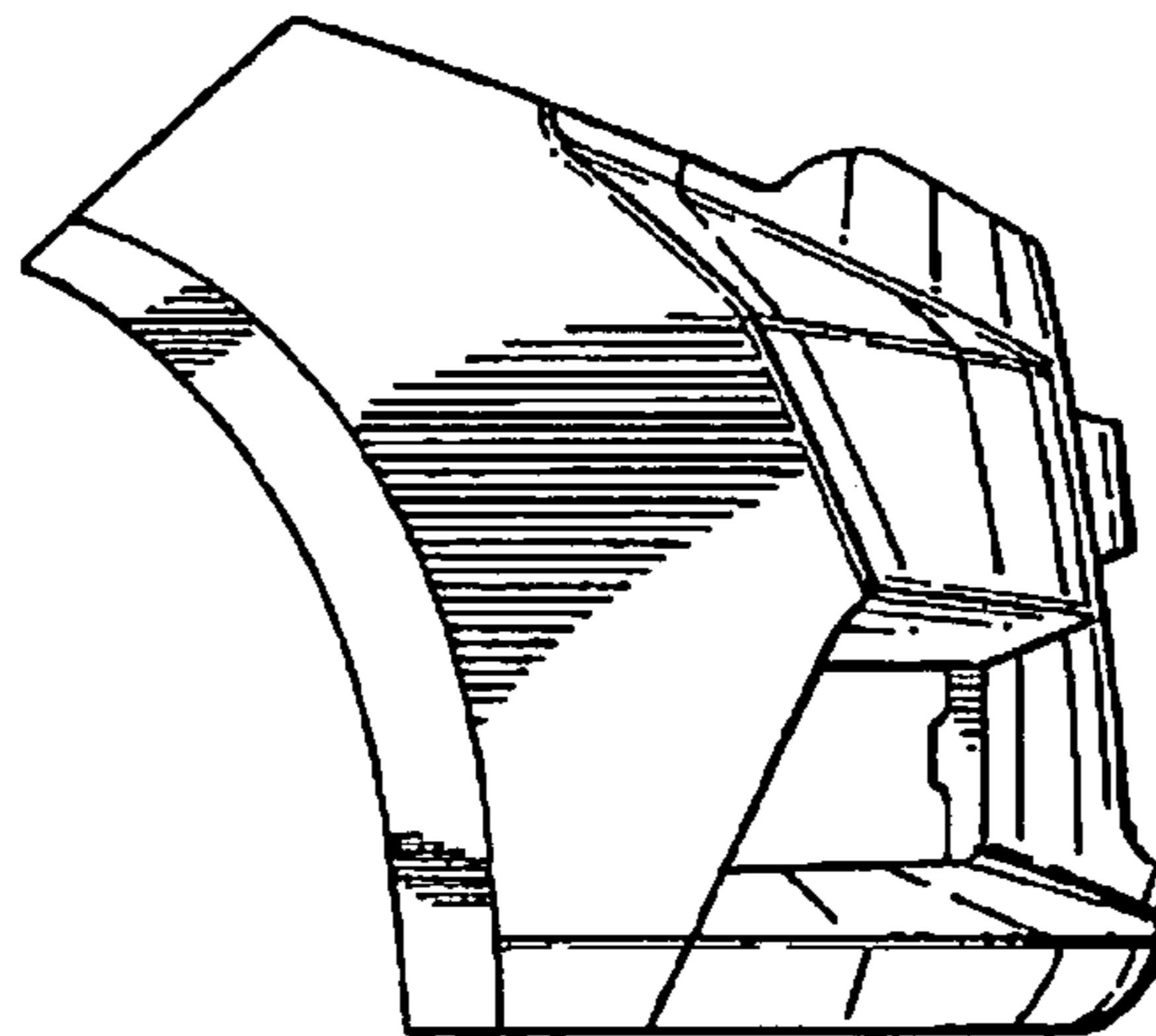


Fig. 5

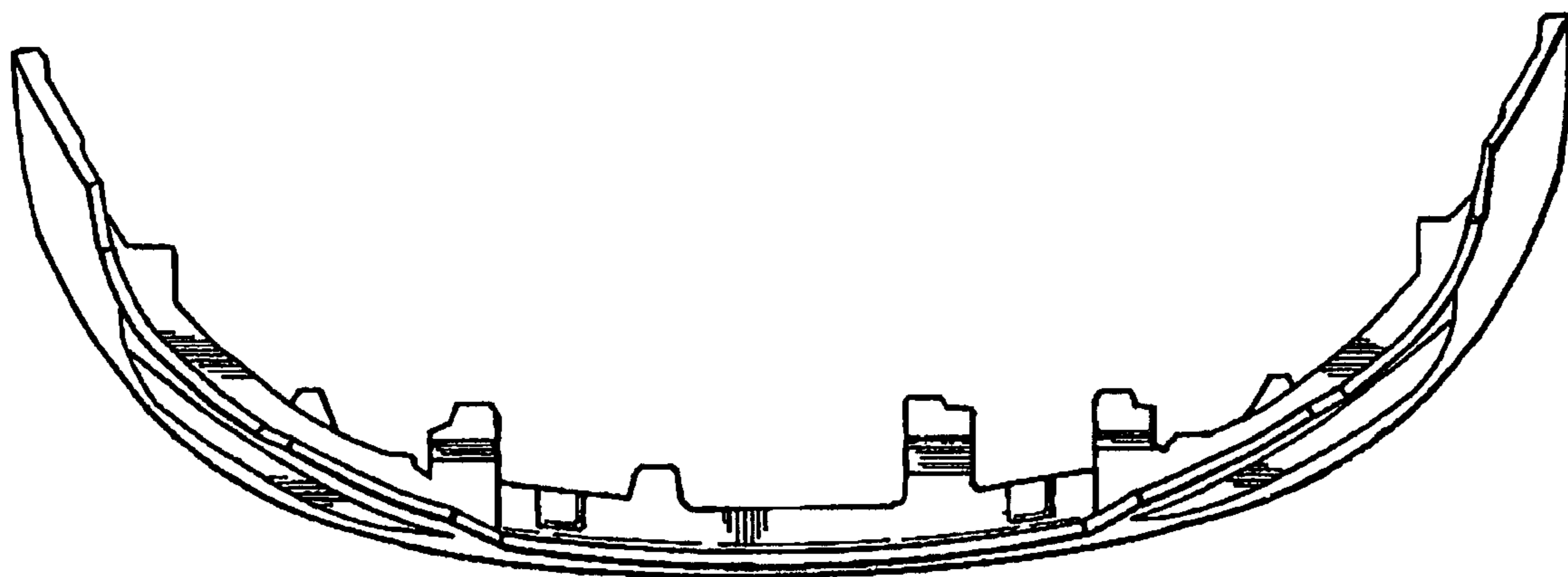


Fig. 6

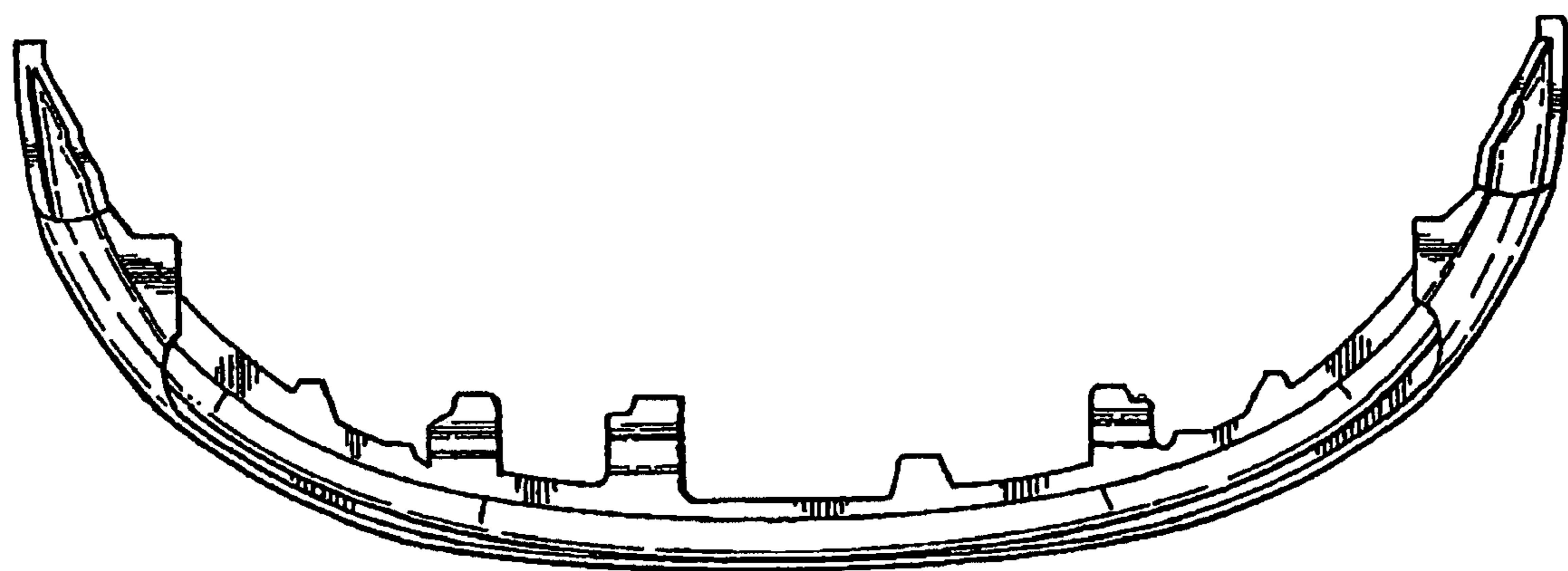


Fig. 7