



US00D592109S

(12) **United States Design Patent**
Loew et al.

(10) **Patent No.:** **US D592,109 S**
(45) **Date of Patent:** **** May 12, 2009**

- (54) **FOLDABLE STROLLER**
- (75) Inventors: **Christopher Loew**, Palo Alto, CA (US);
Joseph Lishing Hei, Palo Alto, CA
(US); **Bryan Thomas White**, Fremont,
CA (US)
- (73) Assignee: **Orbit Baby, Inc.**, Newark, CA (US)
- (**) Term: **14 Years**
- (21) Appl. No.: **29/260,129**
- (22) Filed: **May 20, 2006**
- (51) **LOC (9) Cl.** **12-12**
- (52) **U.S. Cl.** **D12/129**
- (58) **Field of Classification Search** D12/128-133,
D12/16, 85; 267/5; 135/65-67, 74, 912;
280/62, 647-650, 29, 200, 47.38, 250.1,
280/259, 642, 658; 297/DIG. 4; 296/65.03,
296/65.04; 224/409; D6/364; D34/15; 180/6.5,
180/65.1, 65.6, 65.8, 208, 907, 906
See application file for complete search history.

- 6,428,100 B1 8/2002 Kain et al.
- 6,508,510 B2 1/2003 Yamazaki
- 6,513,827 B1 2/2003 Barenbrug
- 6,554,358 B2 4/2003 Kain
- 6,863,345 B2 3/2005 Kain
- D505,892 S * 6/2005 Haeggberg D12/129
- 6,938,954 B1 9/2005 Hendren et al.
- 7,004,541 B2 2/2006 Sedlack
- D524,702 S * 7/2006 Haeggberg D12/129
- D528,048 S 9/2006 Lin et al.
- 7,163,265 B2 1/2007 Adachi
- 2005/0264064 A1 12/2005 Hei et al.

(56) **References Cited**

U.S. PATENT DOCUMENTS

- 4,750,783 A 6/1988 Irby et al.
- 4,762,364 A 8/1988 Young
- D298,074 S * 10/1988 Cannon et al. D34/12
- 4,936,629 A 6/1990 Young
- D356,760 S 3/1995 Baechler
- 5,462,333 A 10/1995 Beauvais
- 5,540,365 A 7/1996 LaMair
- 5,562,548 A 10/1996 Pinch et al.
- 5,908,223 A 6/1999 Miller
- 6,000,753 A 12/1999 Cone, II
- 6,017,088 A 1/2000 Stephens et al.
- 6,076,894 A 6/2000 Busch
- D431,798 S * 10/2000 Strycker et al. D12/133
- 6,145,927 A 11/2000 Lo
- 6,189,970 B1 2/2001 Rosko
- 6,193,312 B1 2/2001 Yoshida et al.
- 6,196,629 B1 3/2001 Onishi et al.
- 6,241,314 B1 6/2001 Pufall
- 6,283,545 B1 9/2001 Ernst
- D456,318 S * 4/2002 Yeh D12/129

OTHER PUBLICATIONS

- Bugaboo (2005). "Bugaboo Frog," Brochure, 9 pages.
- Combi (2005). "Tyro Model 8000: Infant Car Seat," Brochure, 2 pages.
- Quinny (2005). "Buzz: Get a Buzz!" Brochure, 2 pages.

* cited by examiner

Primary Examiner—Charles A Rademaker
Assistant Examiner—Charles D Hanson
(74) *Attorney, Agent, or Firm*—Morrison & Foerster LLP

(57) **CLAIM**

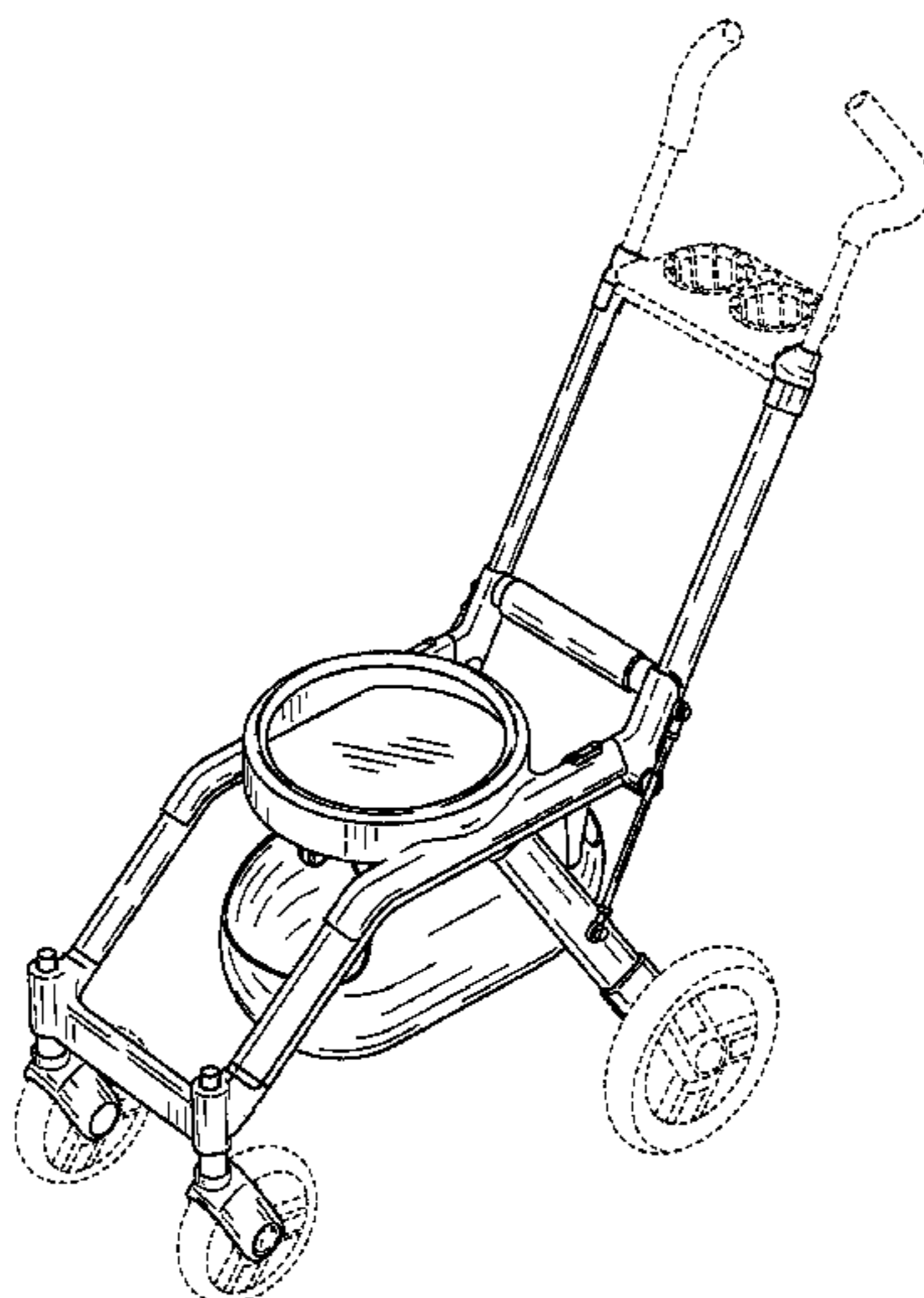
The ornamental design for a foldable stroller, as shown and described.

DESCRIPTION

FIG. 1 is a front perspective view of a foldable stroller, showing my new design.
FIG. 2 is a front elevation view thereof;
FIG. 3 is a rear elevation view thereof;
FIG. 4 is a left side elevation view thereof;
FIG. 5 is a right side elevation view thereof;
FIG. 6 is an overhead plan view thereof; and,
FIG. 7 is a bottom plan view thereof.

The features shown in broken lines are for illustrative purposes only and do not form part of the claimed design.

1 Claim, 7 Drawing Sheets



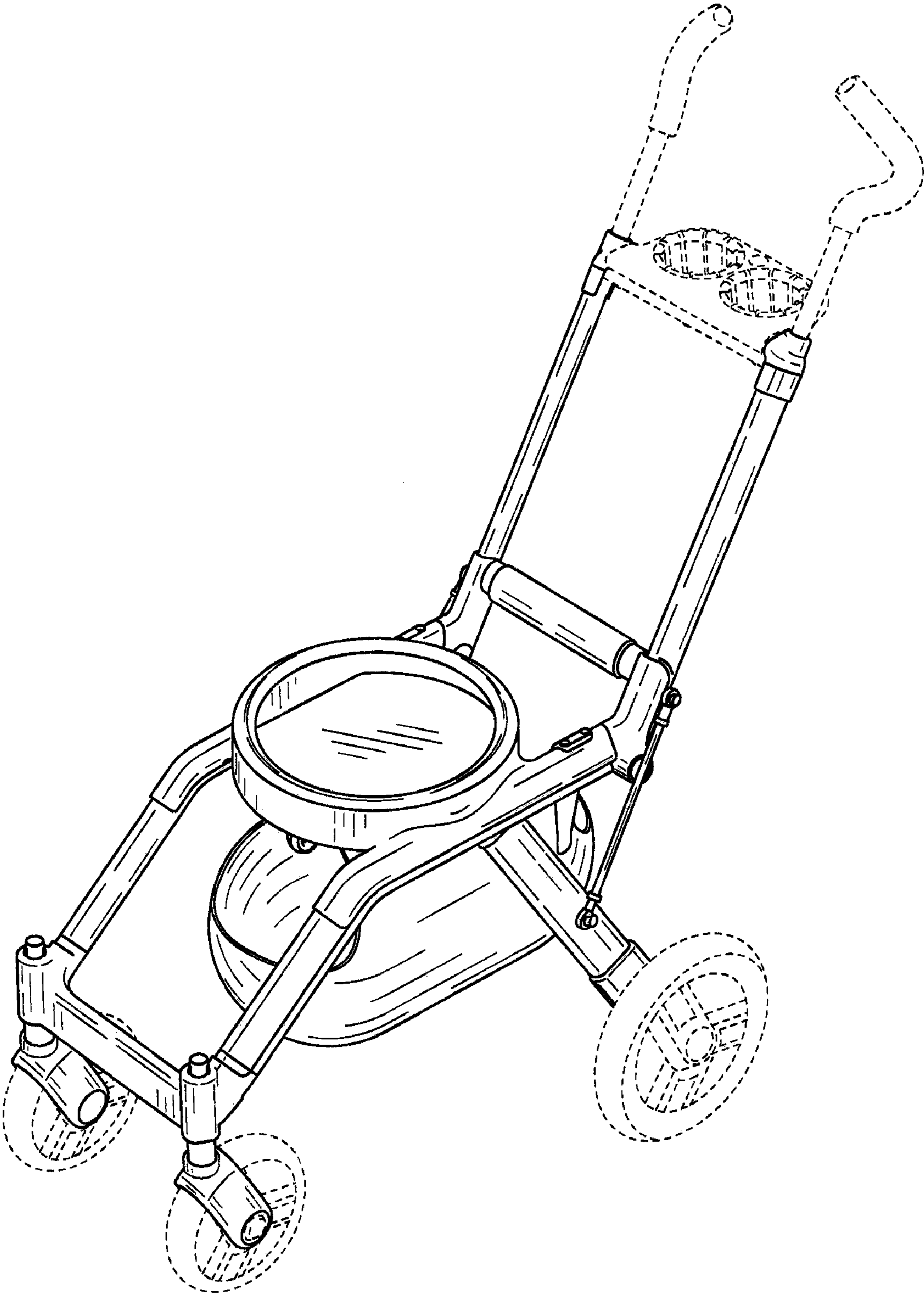


FIG. 1

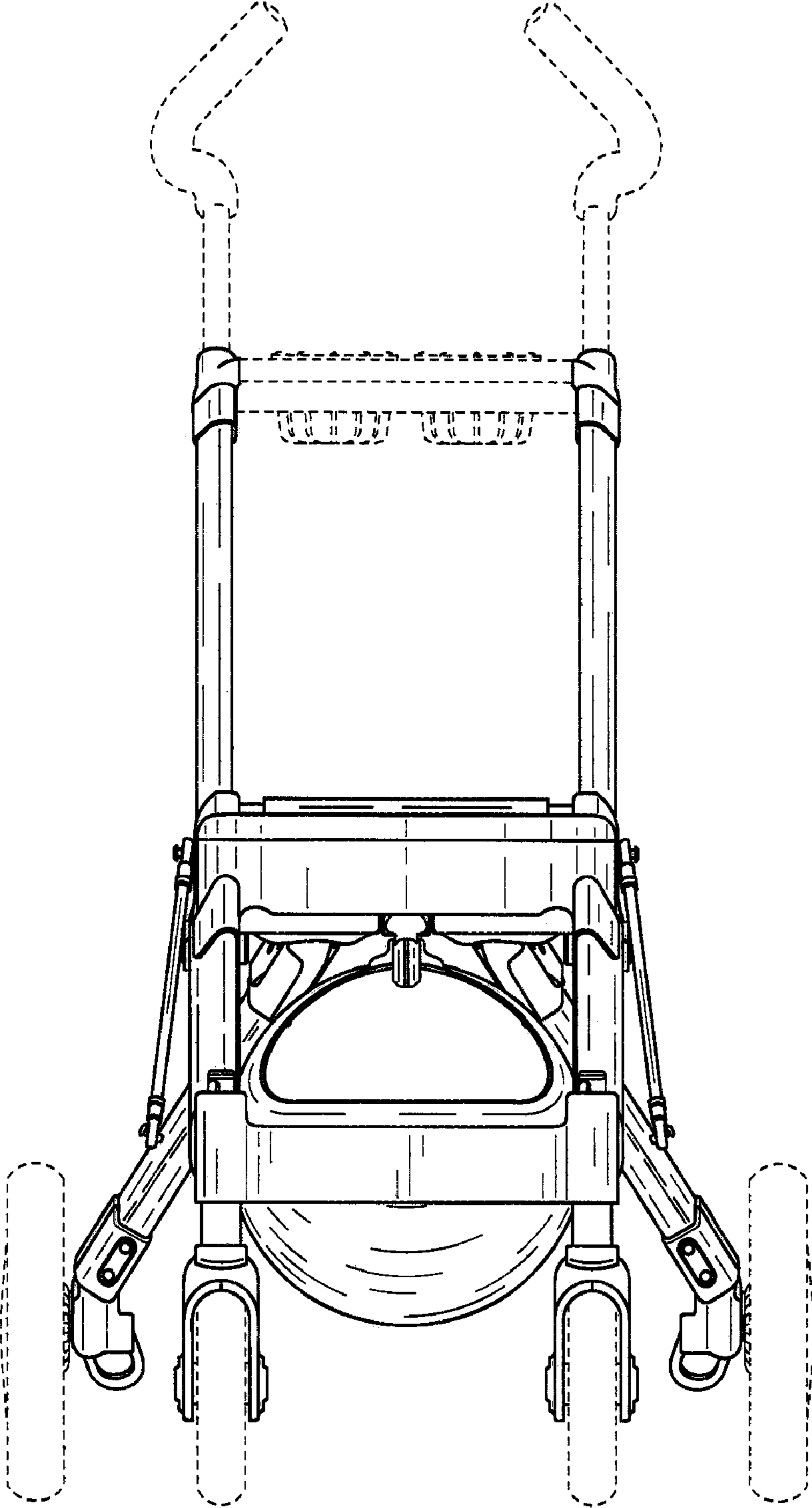


FIG. 2

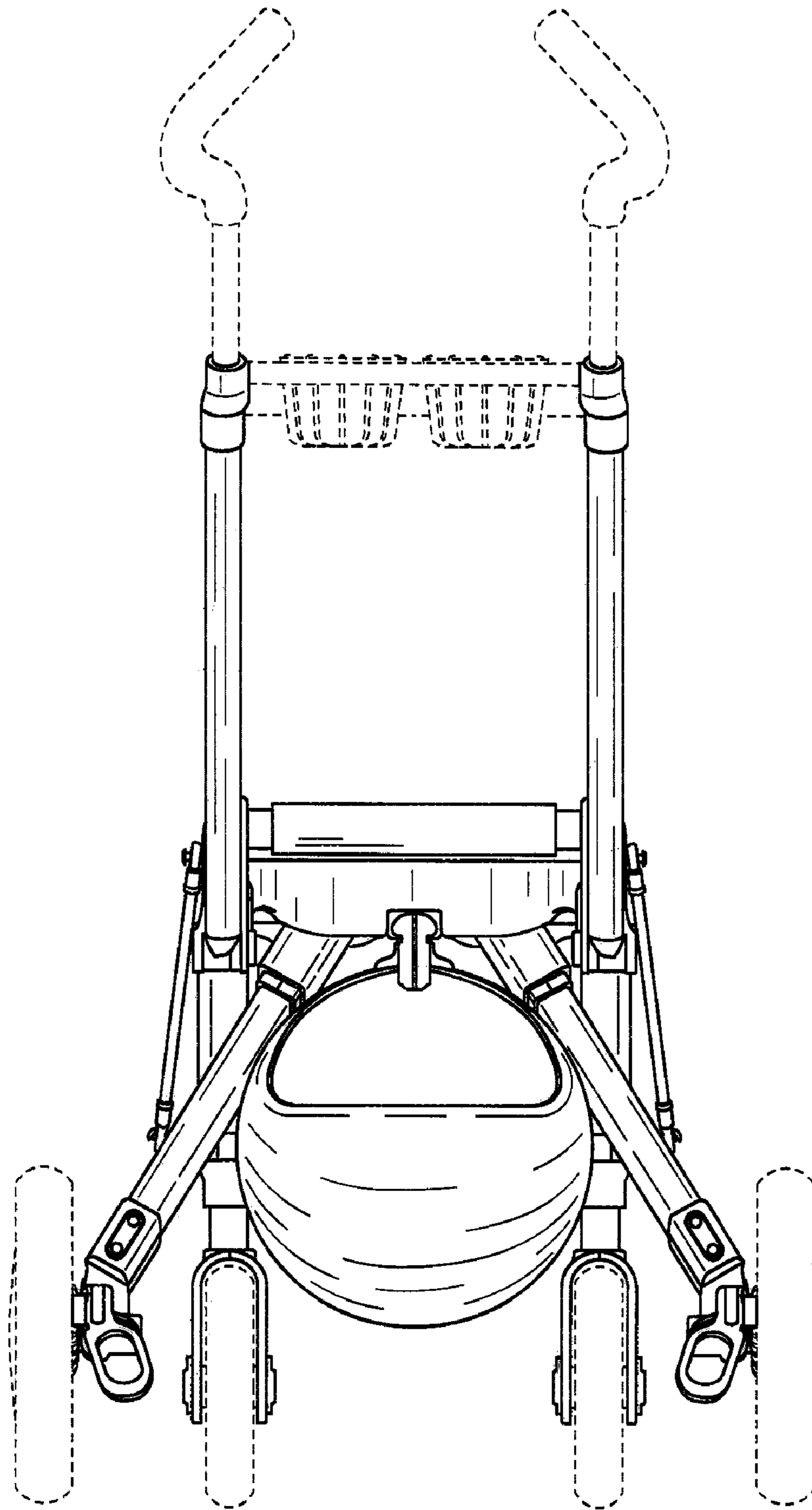


FIG. 3

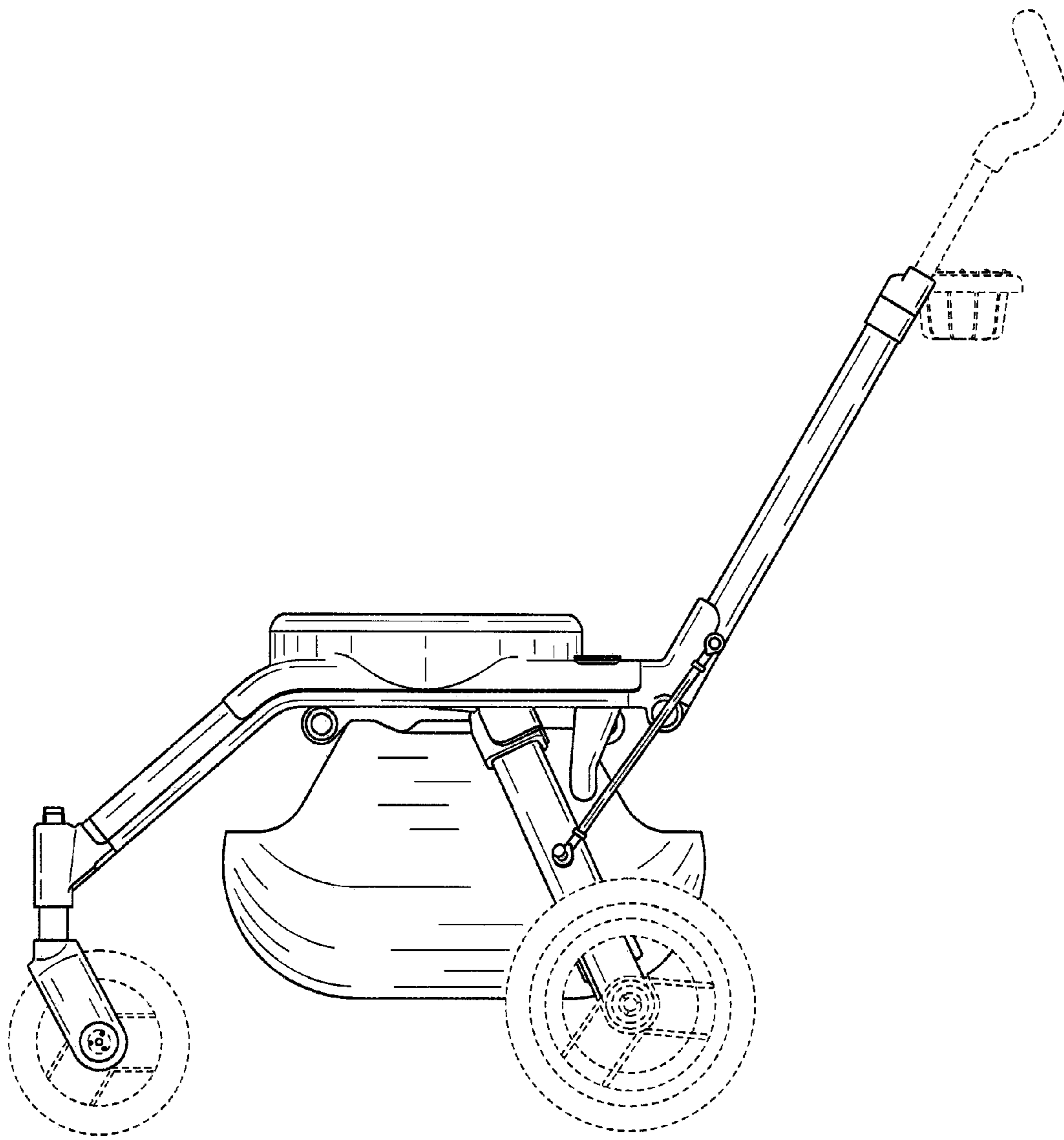


FIG. 4

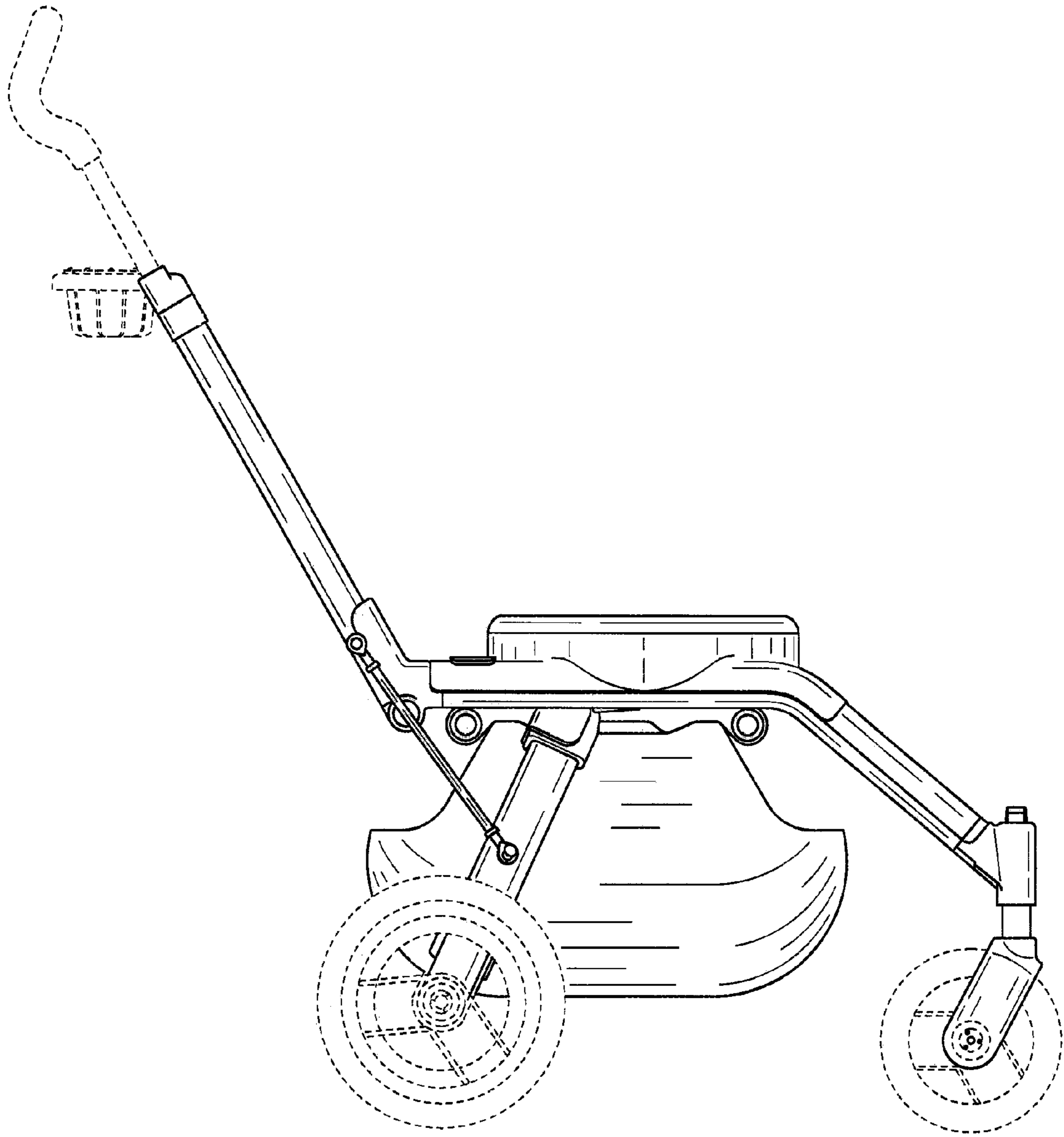


FIG. 5

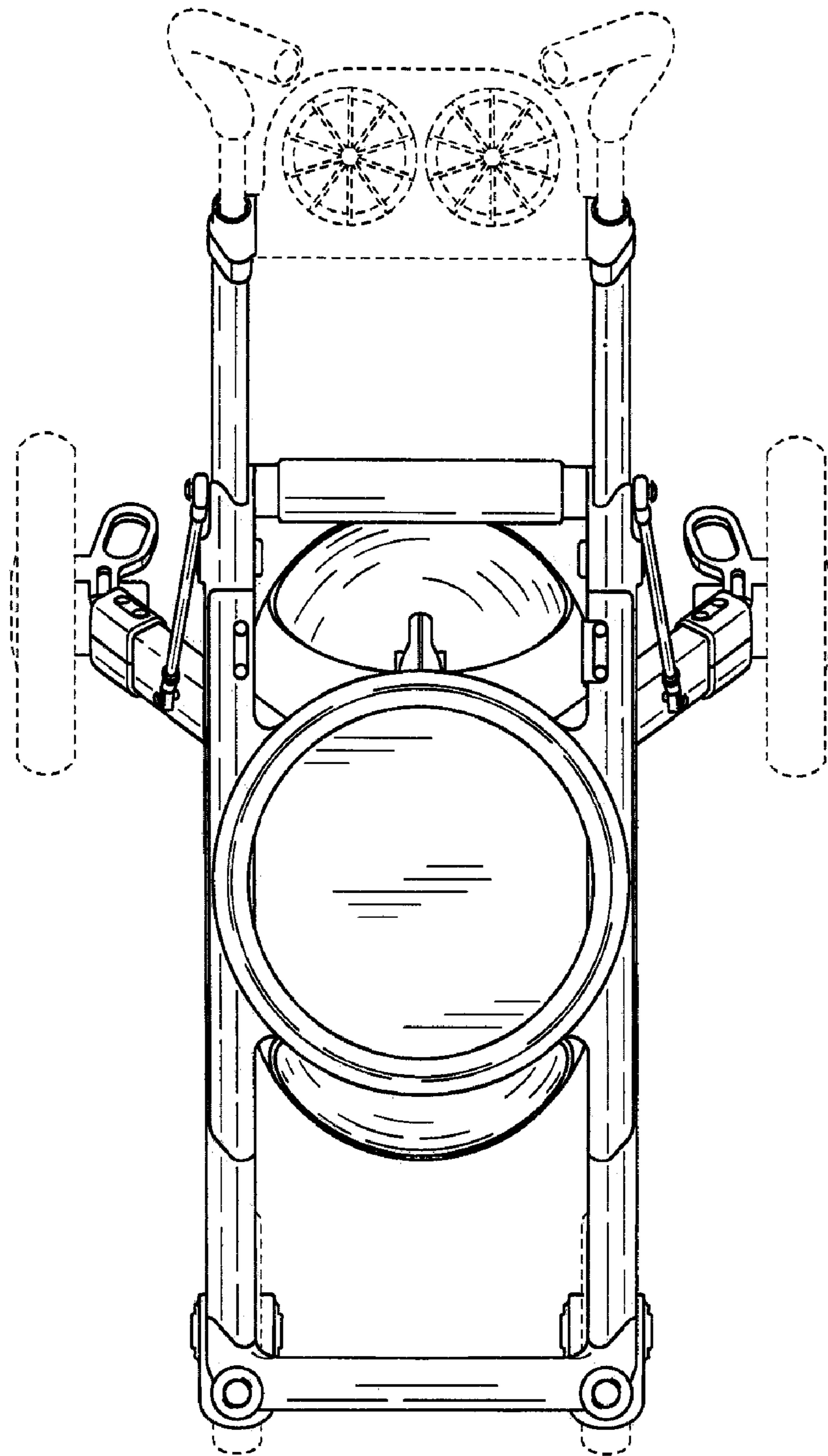


FIG. 6

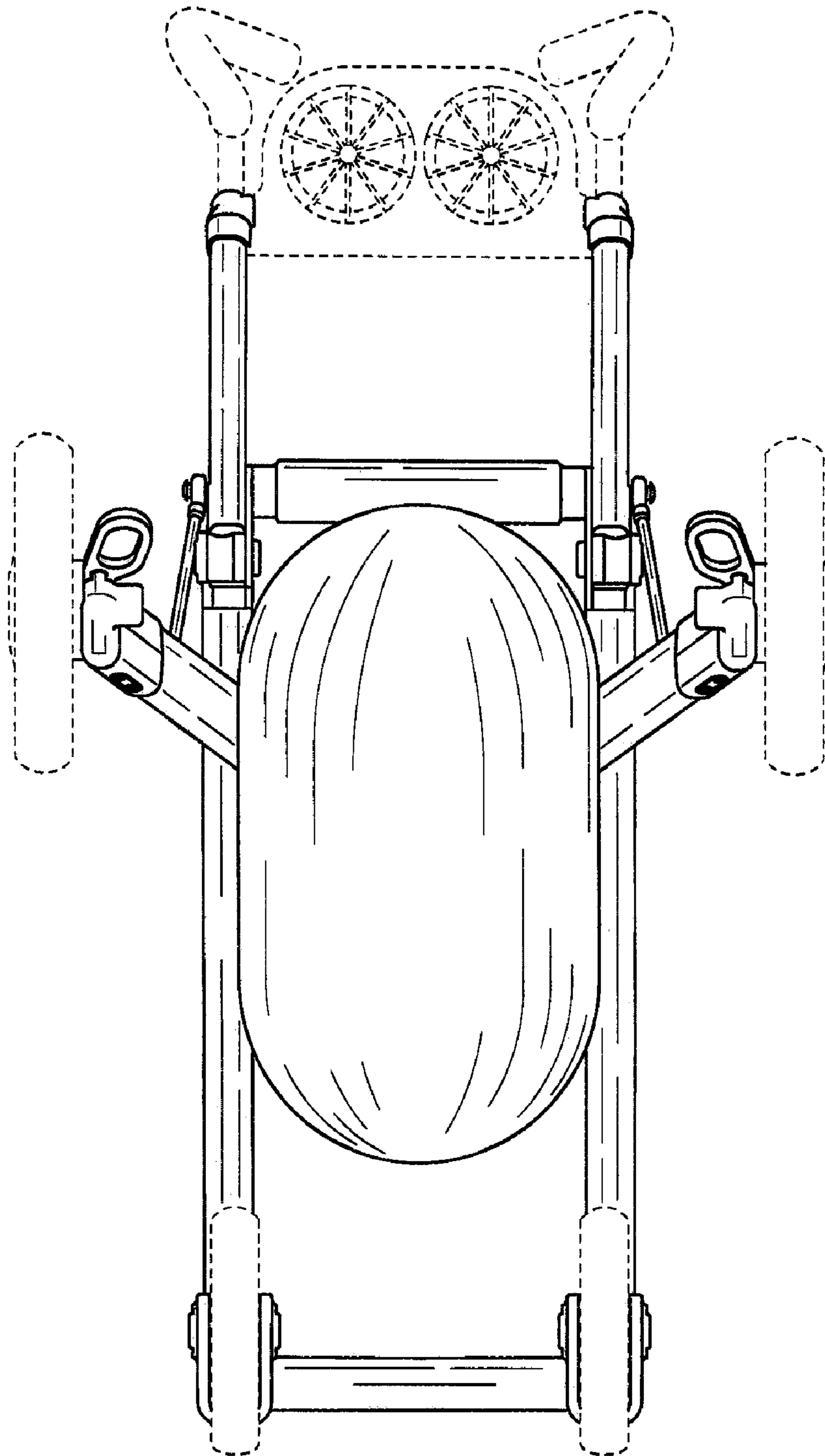


FIG. 7