

US00D592107S

(12) **United States Design Patent**  
**Clarke**

(10) **Patent No.:** **US D592,107 S**

(45) **Date of Patent:** **\*\* May 12, 2009**

(54) **SPROCKET**

(75) Inventor: **Arthur Jack Clarke**, Scotland (GB)

(73) Assignee: **The Gates Corporation**, Denver, CO (US)

(\*\*) Term: **14 Years**

(21) Appl. No.: **29/289,358**

(22) Filed: **Jul. 17, 2007**

(51) **LOC (9) Cl.** ..... **12-11**

(52) **U.S. Cl.** ..... **D12/123**

(58) **Field of Classification Search** ..... D12/110,  
D12/111, 123; D15/148, 149; 30/381; 352/166,  
352/187, 190, 191; 474/49, 78, 95, 96, 152,  
474/155–158, 160–164, 202, 203

See application file for complete search history.

(56) **References Cited**

**U.S. PATENT DOCUMENTS**

4,425,824	A *	1/1984	Koch	.....	475/17
D373,368	S *	9/1996	Matsui et al.	.....	D15/148
D402,995	S *	12/1998	Hakamata	.....	D15/5
D428,028	S *	7/2000	Bell et al.	.....	D15/149
D436,561	S *	1/2001	Louden et al.	.....	D12/123
D451,526	S *	12/2001	Lee	.....	D15/148
6,361,460	B1 *	3/2002	Rhee	.....	474/152

D498,776	S *	11/2004	Hu	.....	D15/148
6,817,959	B1 *	11/2004	Blaimschein	.....	474/152
6,857,976	B2 *	2/2005	Kodama et al.	.....	474/94
D544,894	S *	6/2007	Clarke	.....	D15/148
D545,333	S *	6/2007	Clarke	.....	D15/148
2005/0209033	A1 *	9/2005	Ledvina et al.	.....	474/84
2006/0258498	A1 *	11/2006	Tabbe et al.	.....	474/160
2006/0264286	A1 *	11/2006	Hodjat	.....	474/152

\* cited by examiner

*Primary Examiner*—Cathron C Brooks

*Assistant Examiner*—Linda Brooks

(74) *Attorney, Agent, or Firm*—J. A Thurnau, Esq.; J. L. Mahurin, Esq.; P. N. Dunlap, Esq.

(57) **CLAIM**

The ornamental design for a sprocket, as shown and described.

**DESCRIPTION**

FIG. 1 is a front elevation view.

FIG. 2 is a cross-sectional view at line 2—2 in FIG. 1.

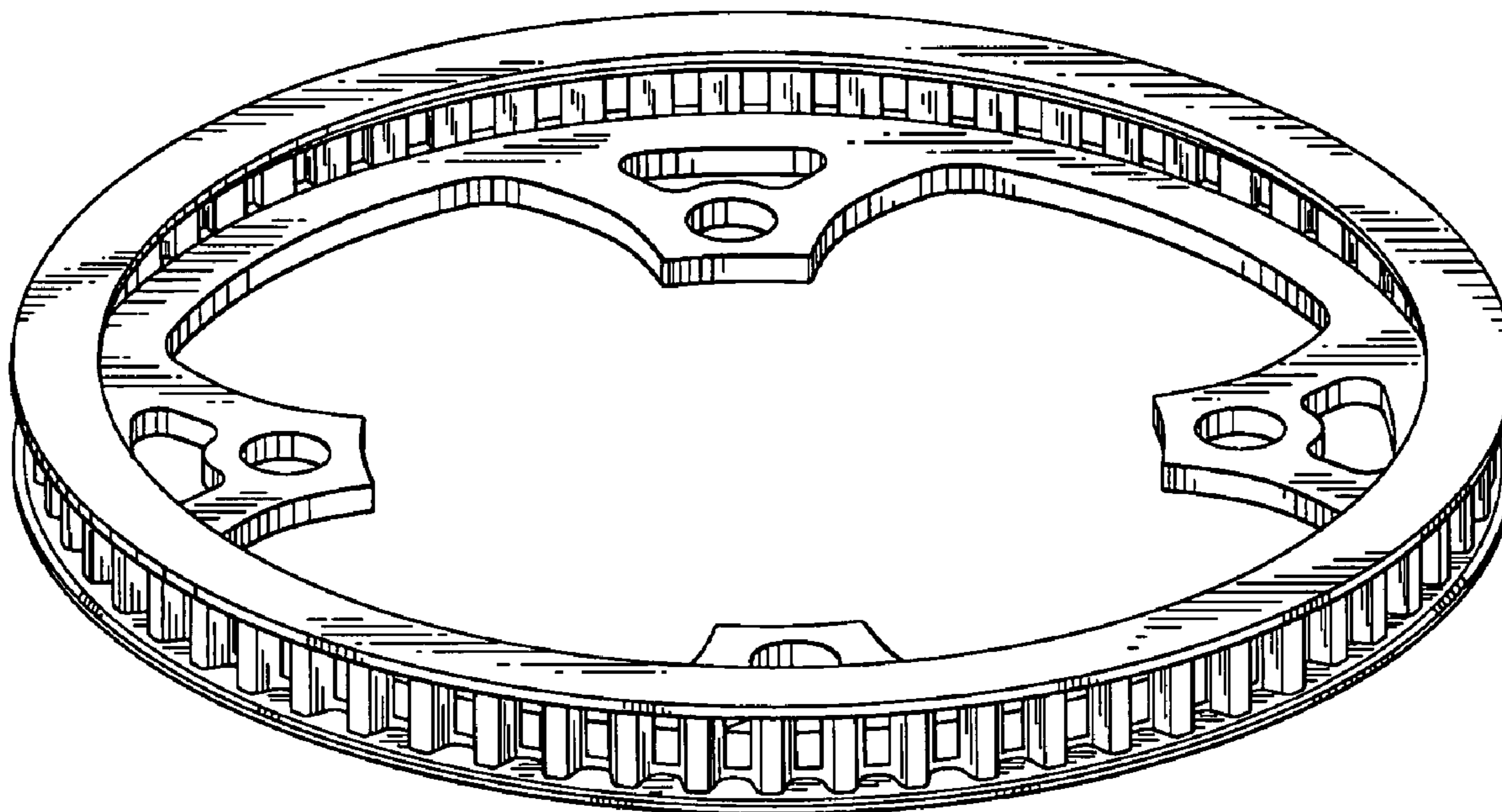
FIG. 3 is a rear elevation view.

FIG. 4 is a side view.

FIG. 5 is a cross-sectional view at line 5—5 in FIG. 4; and,

FIG. 6 is a front perspective view.

**1 Claim, 3 Drawing Sheets**



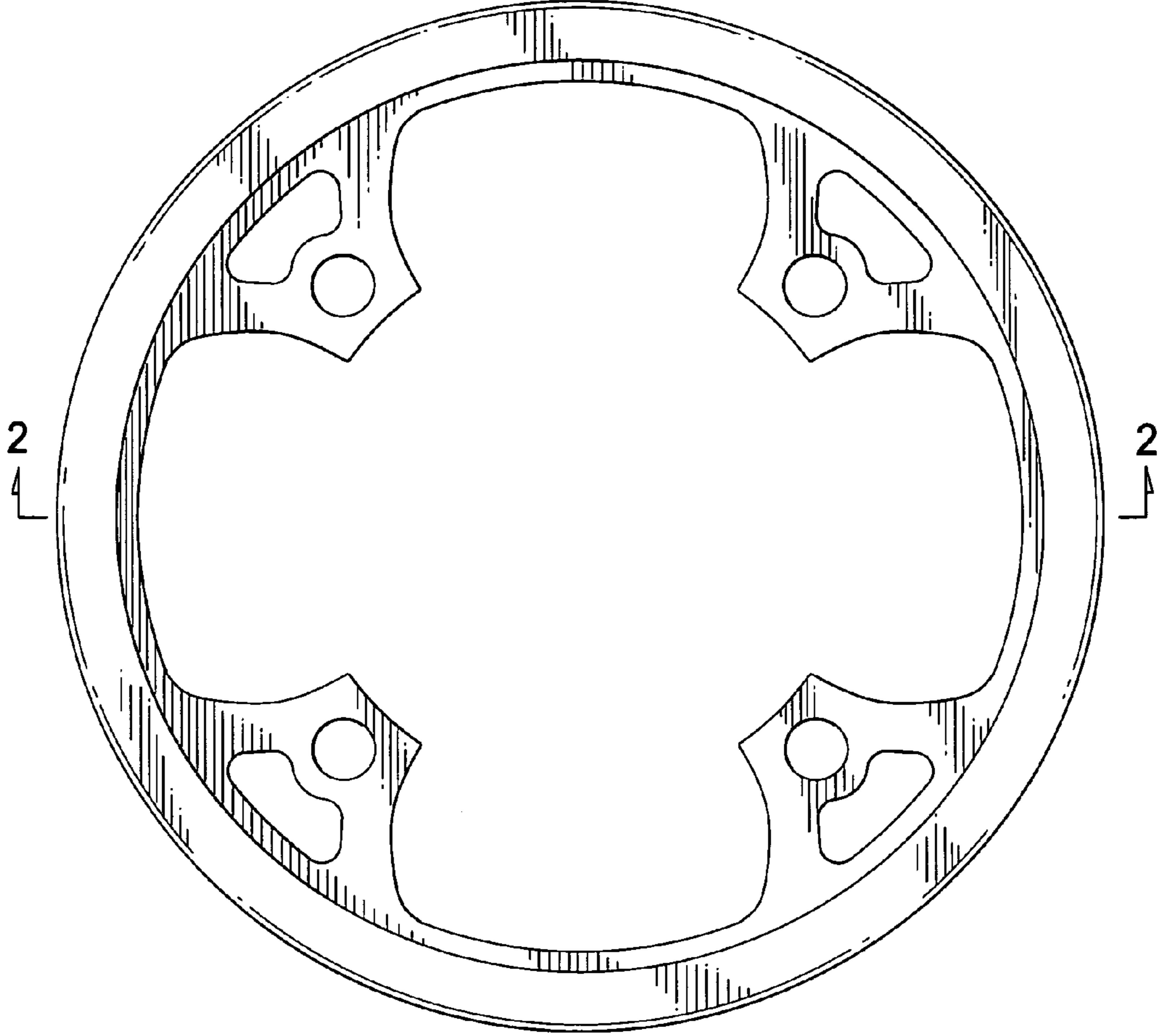


FIG.1



FIG.2

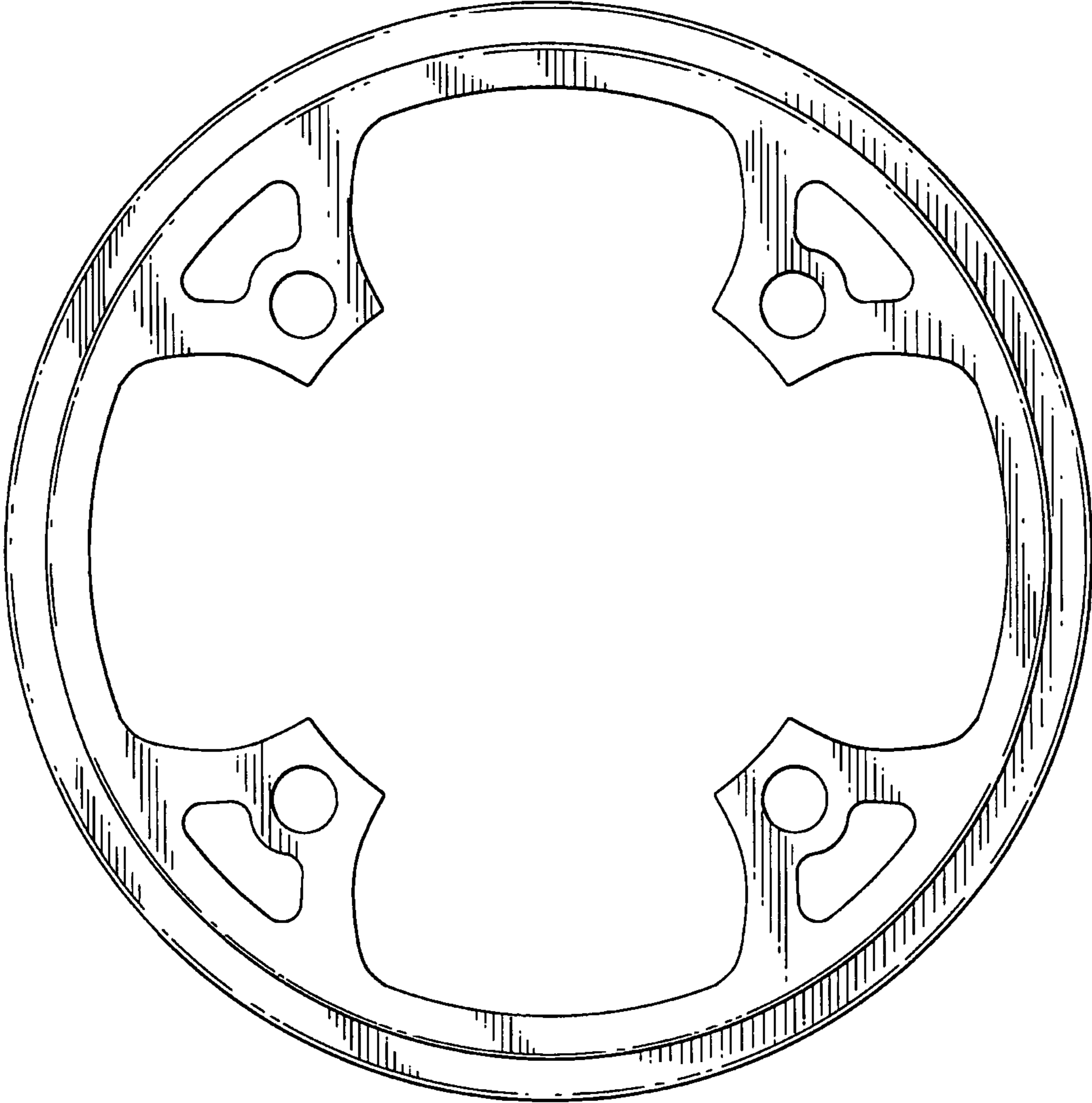
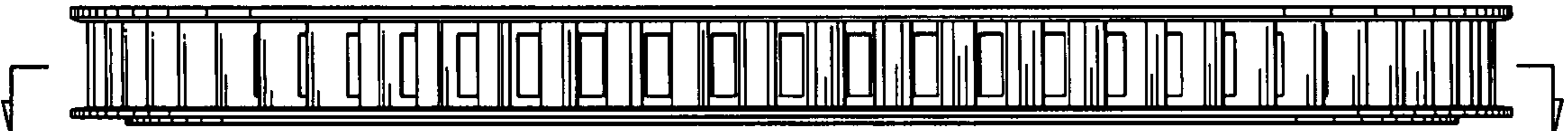


FIG.3



5

FIG.4

5

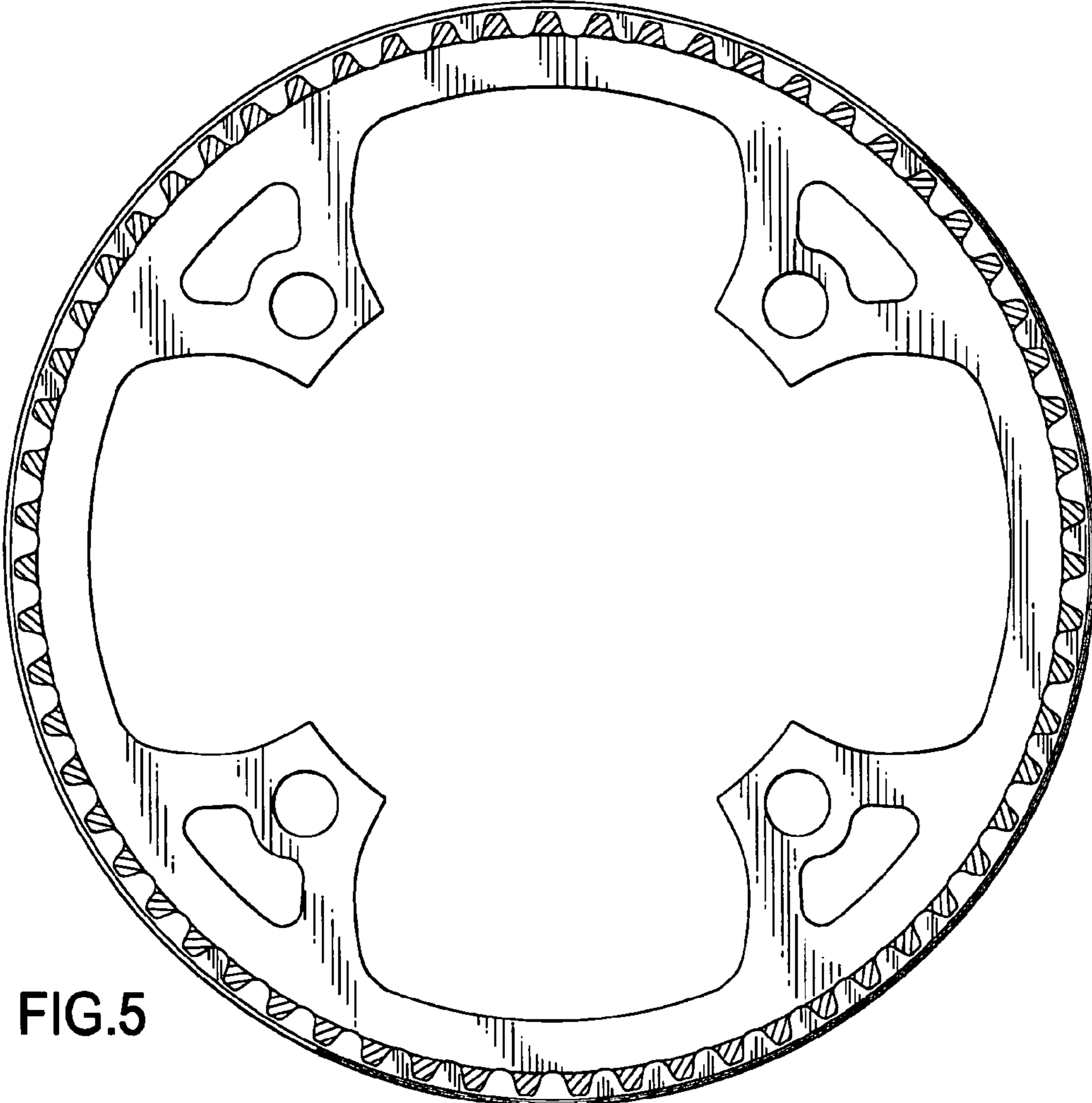


FIG.5

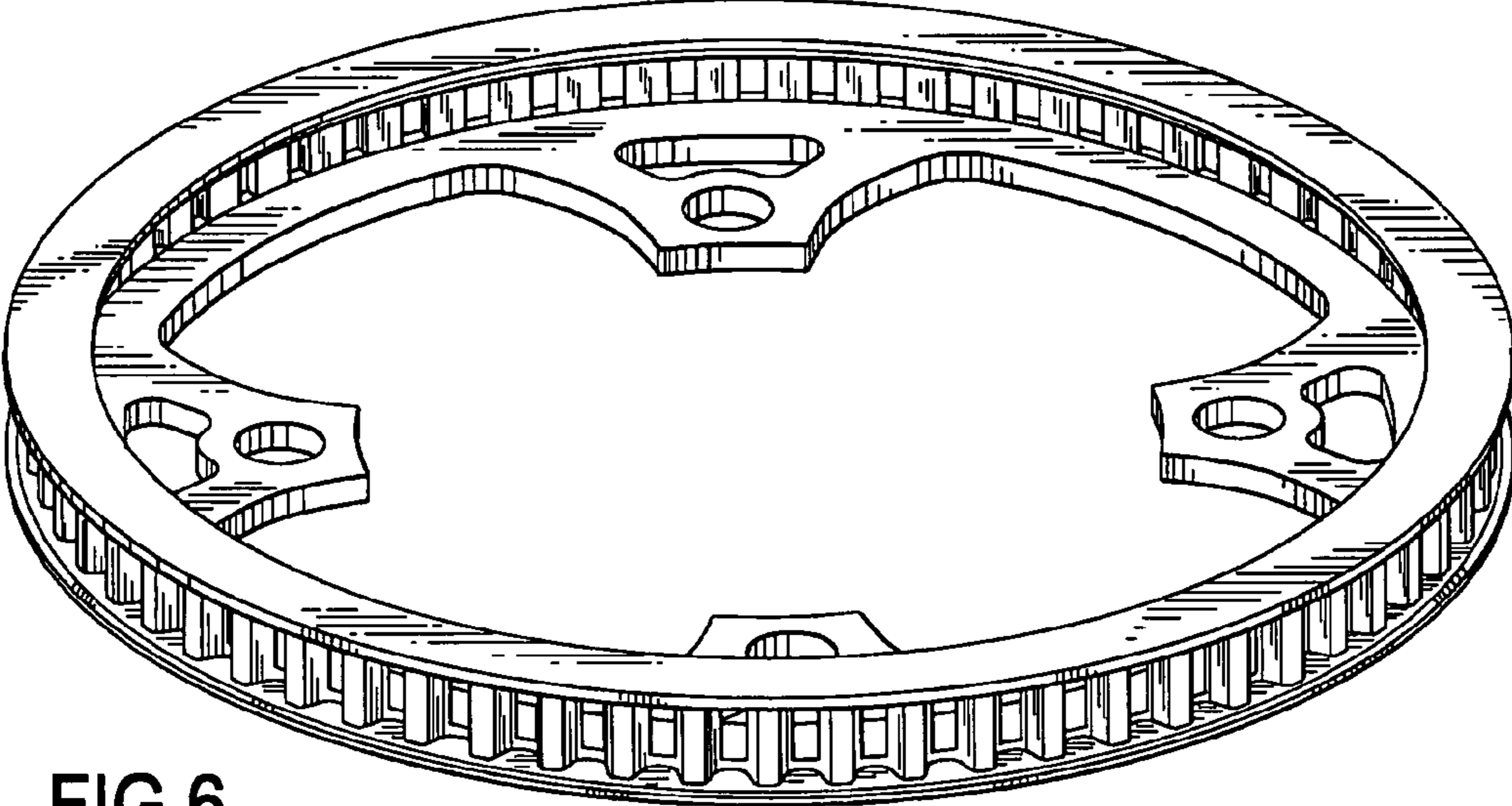


FIG.6