



US00D592101S

(12) **United States Design Patent**  
**Green, Jr.**

(10) **Patent No.:** **US D592,101 S**

(45) **Date of Patent:** **\*\* May 12, 2009**

(54) **REAR FENDER FOR AN ARMORED VEHICLE**

(75) **Inventor:** **Paul C. Green, Jr., Mt. Pleasant, SC (US)**

(73) **Assignee:** **Force Protection Industries, Inc., Ladson, SC (US)**

(\*\*) **Term:** **14 Years**

(21) **Appl. No.:** **29/287,485**

(22) **Filed:** **Aug. 14, 2007**

(51) **LOC (9) Cl.** ..... **12-13**

(52) **U.S. Cl.** ..... **D12/12; D12/181**

(58) **Field of Classification Search** ..... D12/86-89, D12/12, 91, 92, 1-4, 98-100, 184, 13, 82, D12/84, 85, 93, 95, 101, 106, 122, 400, 414, D12/164, 163, 167, 168, 169, 172, 173, 181, D12/202, 196; D21/533, 539, 548-552, D21/557-60, 579, 580-583, 442, 436, 447, D21/560, 86, 91; 180/232, 242, 89.12, 449; 410/57; 89/36.8, 36.09, 37.03, 38, 40.03, 89/36 F, 36 H, 4 B, 36.1, 36.13; 446/471, 446/487; 296/181.3, 1.01, 183, 24.1, 37.6, 296/185, 186, 204, 186.1; 280/838, 839  
See application file for complete search history.

(56) **References Cited**

**U.S. PATENT DOCUMENTS**

2,868,310 A \* 1/1959 Lee ..... 180/89.17  
D245,000 S \* 7/1977 Longeau ..... D12/12  
D253,763 S \* 12/1979 Legueu ..... D12/164  
D270,526 S \* 9/1983 Legueu ..... D12/12  
D272,524 S \* 2/1984 Legueu ..... D12/84  
D287,112 S \* 12/1986 Legueu ..... D12/84

D315,535 S \* 3/1991 Lockhart ..... D12/12  
D321,160 S \* 10/1991 Kingsley ..... D12/184  
D393,436 S \* 4/1998 Williams ..... D12/173  
6,076,949 A \* 6/2000 Holdsworth et al. .... 362/500  
D505,896 S \* 6/2005 Devitt ..... D12/184  
D515,468 S \* 2/2006 Inui et al. .... D12/107  
D548,646 S \* 8/2007 Green et al. .... D12/12  
D548,647 S \* 8/2007 Green et al. .... D12/12  
D552,507 S \* 10/2007 Hammick ..... D12/12  
D560,583 S \* 1/2008 Simons et al. .... D12/196  
D563,272 S \* 3/2008 Hammick et al. .... D12/12  
D573,507 S \* 7/2008 Moushegian et al. .... D12/91

\* cited by examiner

*Primary Examiner*—T. Chase Nelson

*Assistant Examiner*—Ania K Dworzecka

(74) *Attorney, Agent, or Firm*—Finnegan, Henderson, Farabow, Garrett, and Dunner, LLP

(57) **CLAIM**

The ornamental design for a rear fender for an armored vehicle, as shown and described.

**DESCRIPTION**

FIG. 1 is front perspective view of a rear fender for an armored vehicle of my new design;

FIG. 2 is a front view thereof;

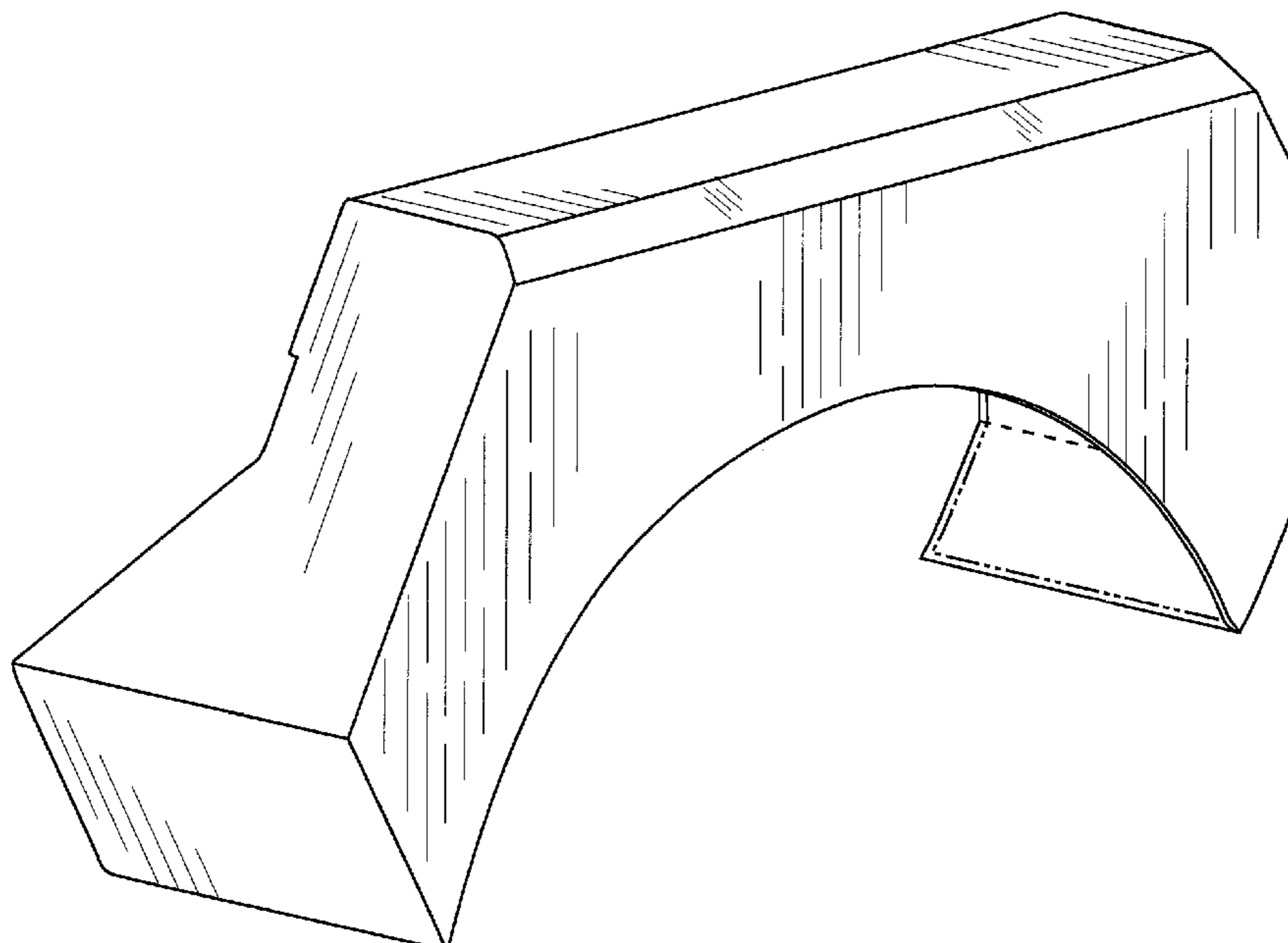
FIG. 3 is a rear view thereof;

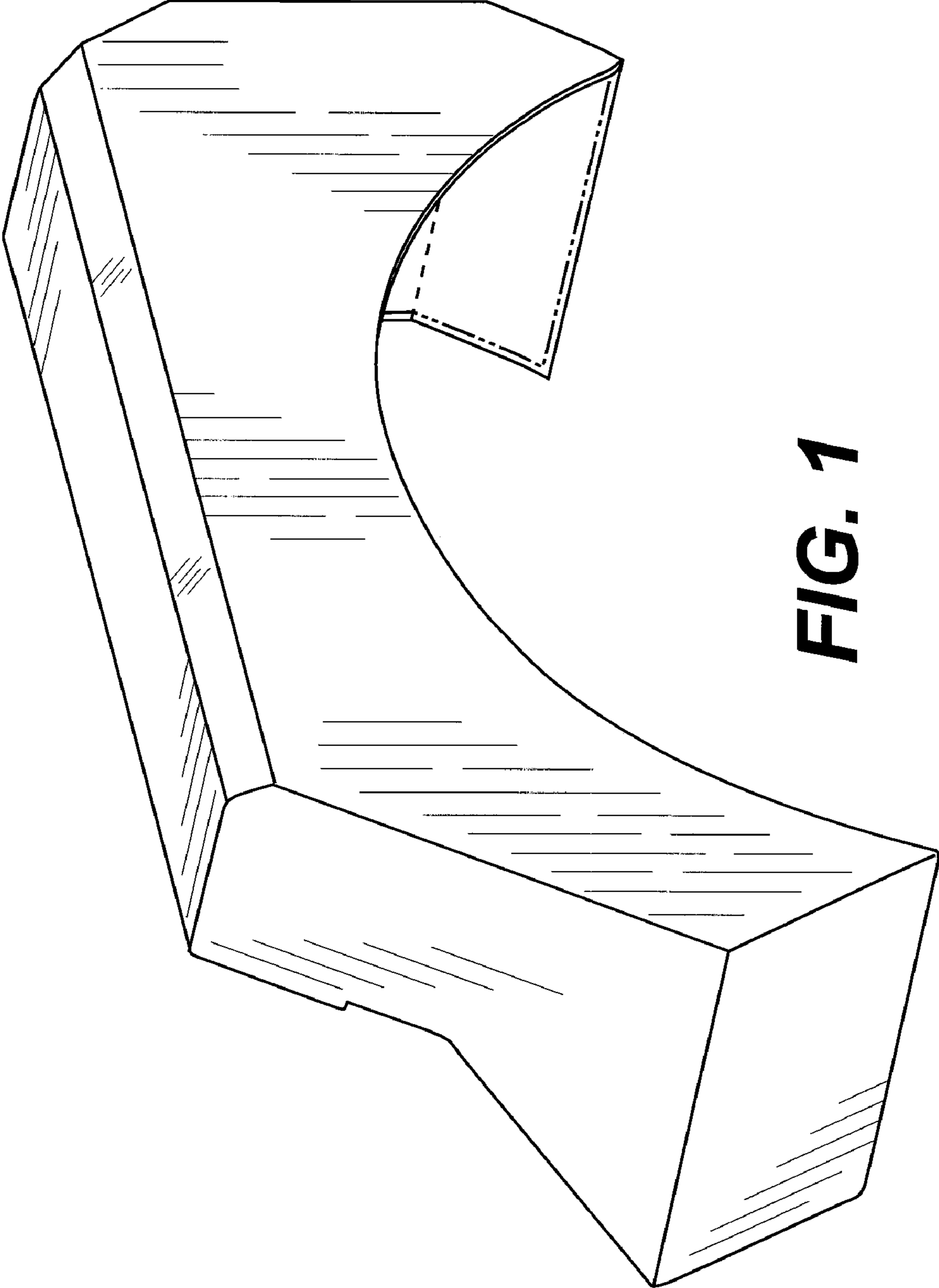
FIG. 4 is a top plan view thereof; and,

FIG. 5 is a right side view thereof.

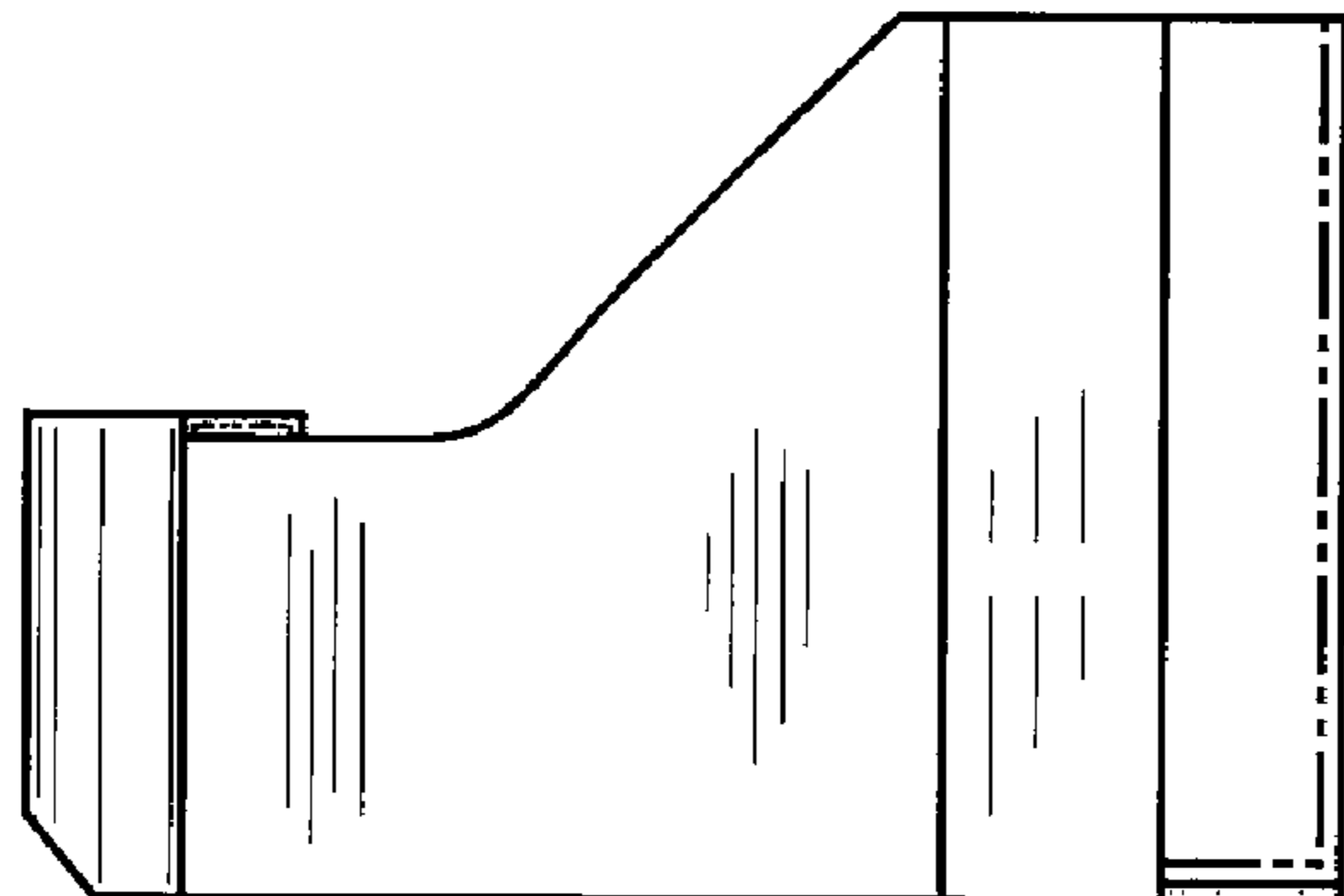
The dash dot dot lines immediately adjacent to the claimed areas in the views represent the boundaries of the design. The dotted lines in the figures illustrate the portions of the design that form no part of the claim. None of the broken lines form any part of the claimed design.

**1 Claim, 3 Drawing Sheets**

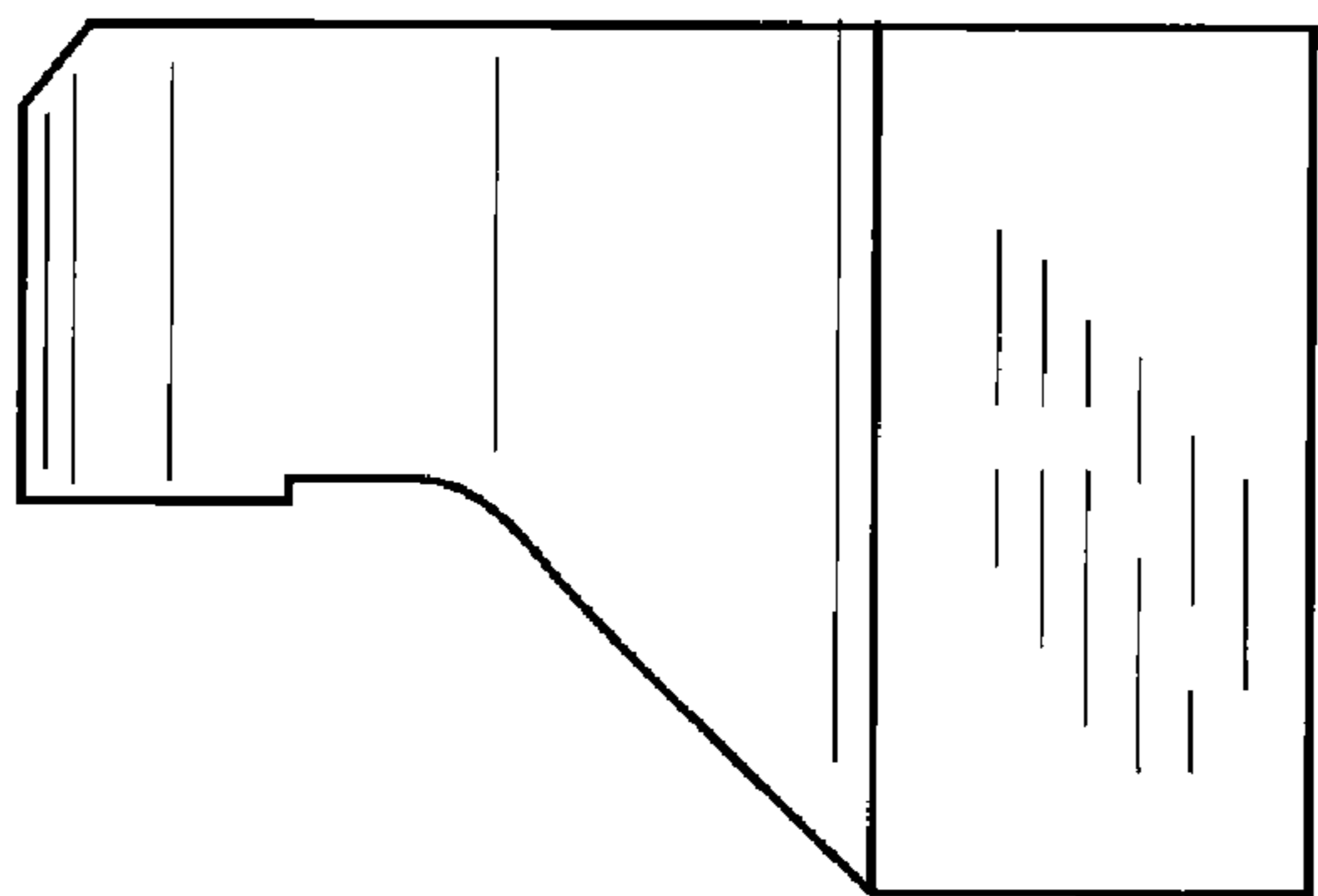




**FIG. 1**



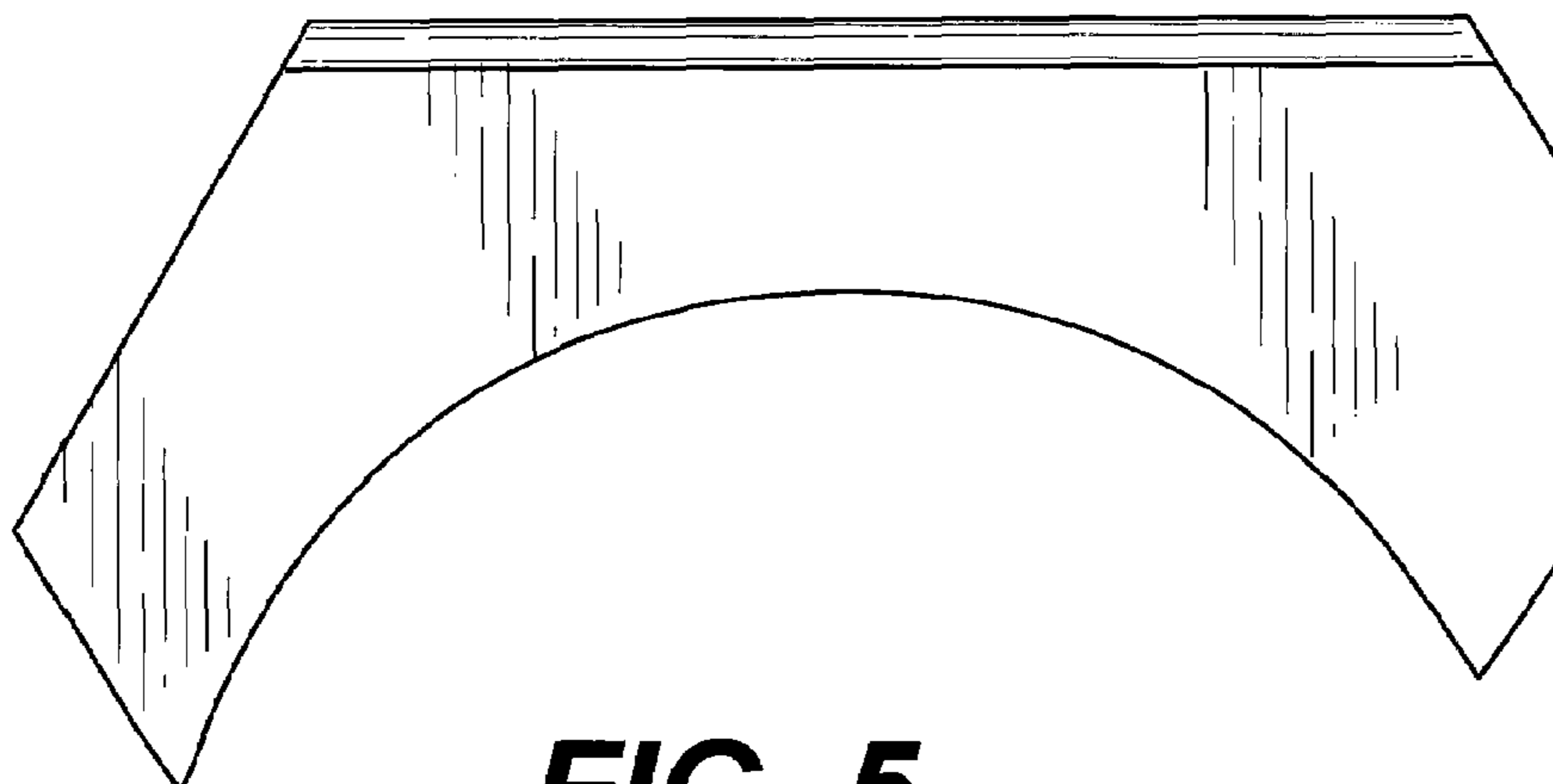
**FIG. 3**



**FIG. 2**



**FIG. 4**



**FIG. 5**