

US00D592100S

(12) **United States Design Patent**  
**Petit**

(10) **Patent No.:** **US D592,100 S**  
(45) **Date of Patent:** **\*\* May 12, 2009**

(54) **SNOWMOBILE HEADLAMP SHROUD**

(75) Inventor: **Philippe Petit**, Orford (CA)

(73) Assignee: **Bombardier Recreational Products Inc.**, Valcourt (CA)

(\*\*) Term: **14 Years**

(21) Appl. No.: **29/319,904**

(22) Filed: **Jun. 17, 2008**

D457,202 S 5/2002 Baskin et al.  
D466,049 S 11/2002 Cadotte  
D468,547 S 1/2003 Cadotte et al.  
D477,247 S 7/2003 Cadotte et al.  
D477,248 S 7/2003 Cadotte et al.  
D478,297 S 8/2003 Cadotte et al.  
D478,532 S 8/2003 Crepeau et al.  
D479,490 S 9/2003 Cadotte et al.  
D479,696 S 9/2003 Cadotte et al.  
D479,697 S 9/2003 Cadotte et al.

(Continued)

**Related U.S. Application Data**

(63) Continuation-in-part of application No. 29/298,601, filed on Dec. 7, 2007.

(51) **LOC (9) Cl.** ..... **12-14**

(52) **U.S. Cl.** ..... **D12/7**

(58) **Field of Classification Search** ..... D12/7,  
D12/110, 111, 9, 112, 307, 400, 86, 85, 88;  
D21/533; 180/182, 190, 184-186, 9.25,  
180/180, 219, 193, 194; 280/845; D6/354  
See application file for complete search history.

(56) **References Cited**

**U.S. PATENT DOCUMENTS**

D253,883 S 1/1980 Shimasaki  
D264,830 S 6/1982 Ishiyama  
D273,185 S 3/1984 Ishiyama  
D278,892 S 5/1985 Kobayashi  
D314,535 S 2/1991 Matsue  
D319,607 S 9/1991 Lapointe  
D328,575 S 8/1992 Berto  
D334,374 S 3/1993 Hornai  
D342,044 S 12/1993 Hornai  
D342,220 S 12/1993 Hornai  
D346,137 S 4/1994 Hornai  
D362,207 S 9/1995 Hacke et al.  
D389,780 S 1/1998 Komatsu et al.  
D403,272 S 12/1998 Cadotte et al.  
D403,273 S 12/1998 Cadotte et al.  
D438,821 S 3/2001 Cadotte et al.  
D446,166 S 8/2001 Cadotte et al.  
D457,106 S 5/2002 Cadotte et al.

**OTHER PUBLICATIONS**

U.S. Appl. No. 29/298,597, filed Dec. 7, 2007. Title: Snowmobile Hood.

(Continued)

*Primary Examiner*—T. Chase Nelson  
*Assistant Examiner*—Ania K Dworzecka  
(74) *Attorney, Agent, or Firm*—Osler, Hoskin & Harcourt LLP

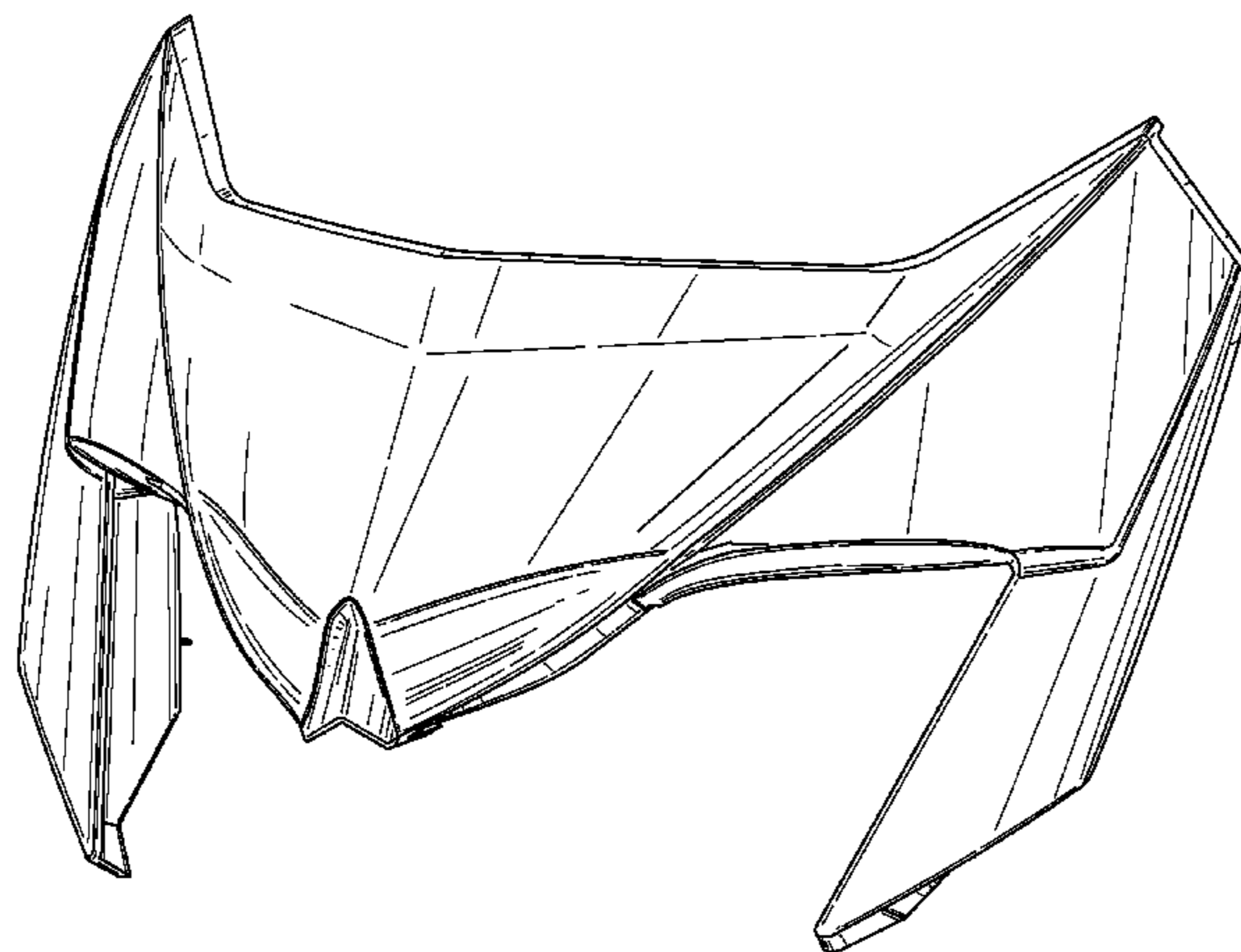
(57) **CLAIM**

The ornamental design for a snowmobile headlamp shroud, as shown and described.

**DESCRIPTION**

FIG. 1 is a front left perspective view showing a snowmobile headlamp shroud according to my design;  
FIG. 2 is a front elevation view thereof;  
FIG. 3 is a rear elevation view thereof;  
FIG. 4 is a top plan view thereof;  
FIG. 5 is a bottom plan view thereof;  
FIG. 6 is a right side elevation view thereof; and,  
FIG. 7 is a left side elevation view thereof.  
Throughout the Figures, broken lines showing structure are for illustrative purposes only and form no part of the claimed design.

**1 Claim, 6 Drawing Sheets**



# US D592,100 S

Page 2

## U.S. PATENT DOCUMENTS

D479,813 S	9/2003	Cadotte et al.		D496,883 S	10/2004	Sanschagrín et al.	
D479,814 S	9/2003	Cadotte et al.		D499,669 S	12/2004	Sanschagrín et al.	
D479,815 S	9/2003	Crepeau et al.		D505,889 S	6/2005	Girouard et al.	
D479,816 S	9/2003	Crepeau et al.		D511,998 S	11/2005	Deluy	
D480,019 S	9/2003	Cadotte et al.		D512,662 S	12/2005	Deluy	
D480,020 S	9/2003	Crepeau et al.		D515,457 S	2/2006	Deluy	
D487,233 S	3/2004	Cadotte et al.		D541,192 S	4/2007	Jokelainen	
D487,413 S	3/2004	Cadotte et al.		D548,136 S	8/2007	Musselman	
D488,094 S	4/2004	Cadotte et al.		D548,137 S	8/2007	Curthelet	
D488,095 S *	4/2004	Cadotte et al.	..... D12/7	D548,645 S	8/2007	Curthelet	
D488,096 S	4/2004	Cadotte et al.		D552,506 S	10/2007	Deluy	
D488,097 S	4/2004	Cadotte et al.		D563,271 S	3/2008	Curthelet	
D488,098 S	4/2004	Cadotte et al.		D579,380 S *	10/2008	Petit .....	D12/7
D488,404 S	4/2004	Cadotte et al.		D580,299 S *	11/2008	Longpre et al. ....	D12/7
D493,121 S	7/2004	Sanschagrín et al.		D580,822 S *	11/2008	Longpre et al. ....	D12/7
D493,390 S	7/2004	Sanschagrín et al.					
D494,100 S	8/2004	Sanschagrín et al.					
D494,502 S	8/2004	Sanschagrín et al.					
D494,503 S	8/2004	Sanschagrín et al.					
D494,504 S	8/2004	Sanschagrín et al.					
D494,505 S	8/2004	Sanschagrín et al.					
D494,889 S	8/2004	Sanschagrín et al.					
D495,274 S	8/2004	Sanschagrín et al.					
D495,973 S	9/2004	Cadotte et al.					

## OTHER PUBLICATIONS

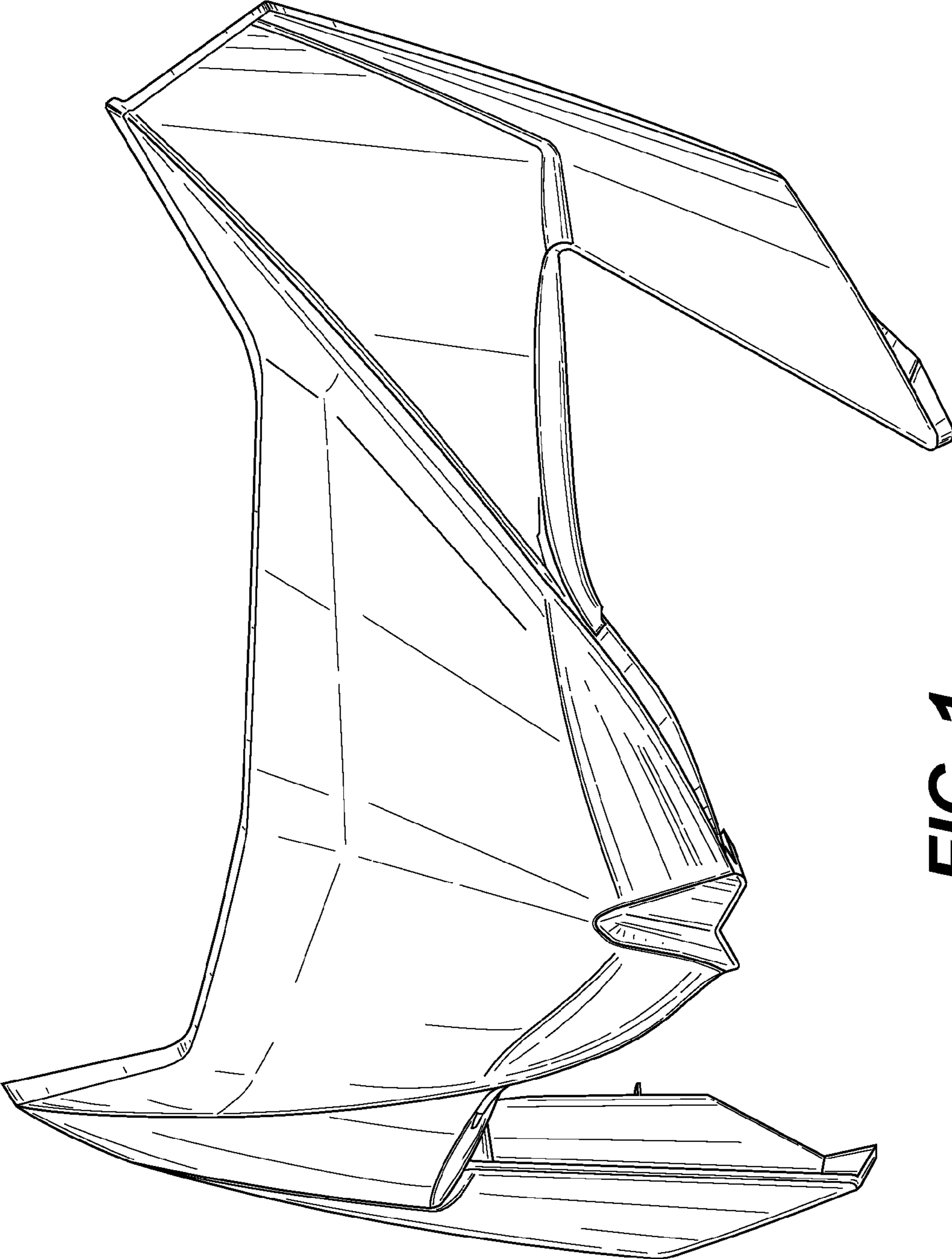
U.S. Appl. No. 29/298,600, filed Dec. 7, 2007. Title: Snowmobile Side Panel.

U.S. Appl. No. 29/298,599, filed Dec. 7, 2007. Title: Snowmobile Side Panel.

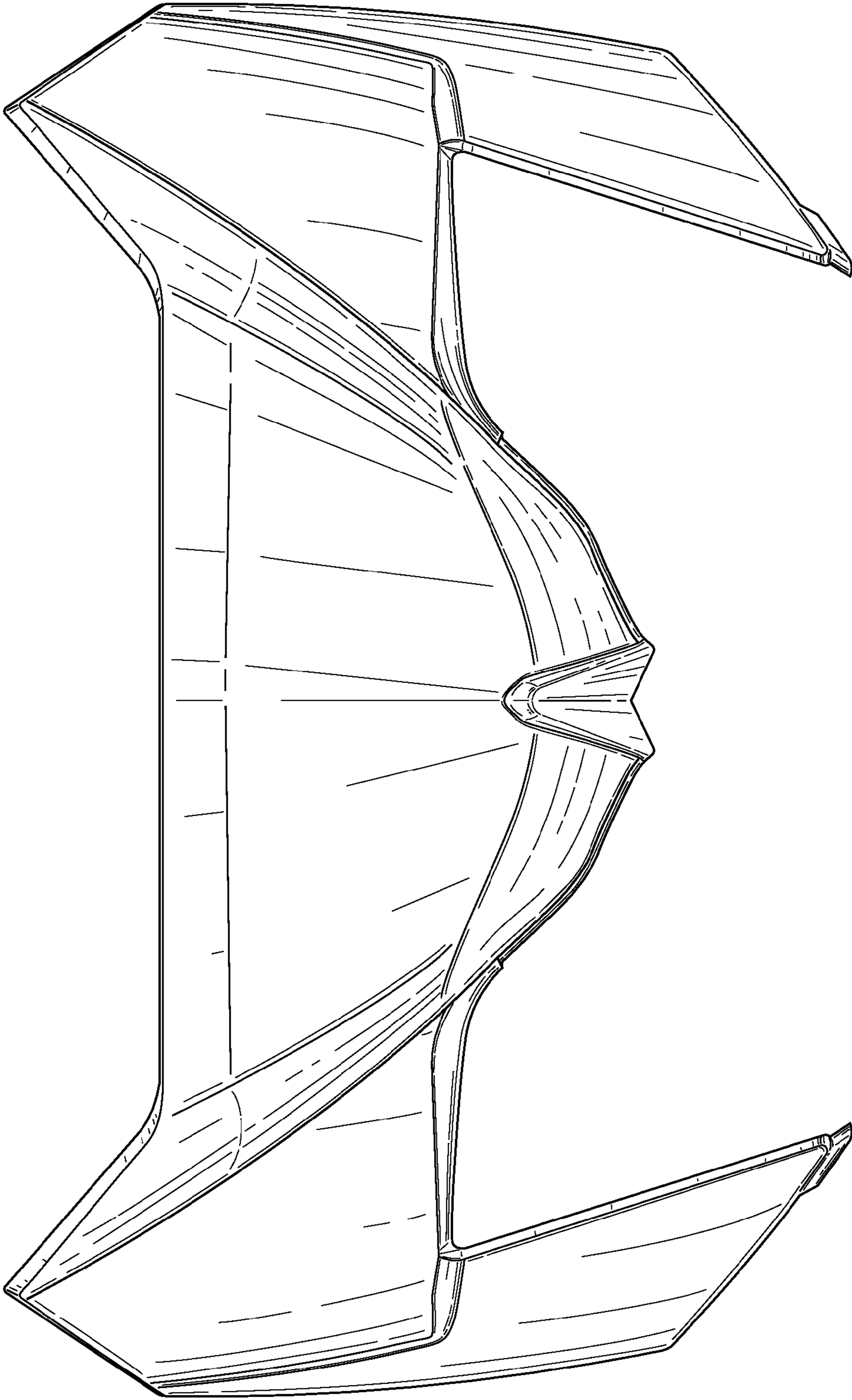
U.S. Appl. No. 29/298,602, filed Dec. 7, 2007. Title: Snowmobile.

U.S. Appl. No. 29/298,601, filed Dec. 7, 2007. Title: Snowmobile.

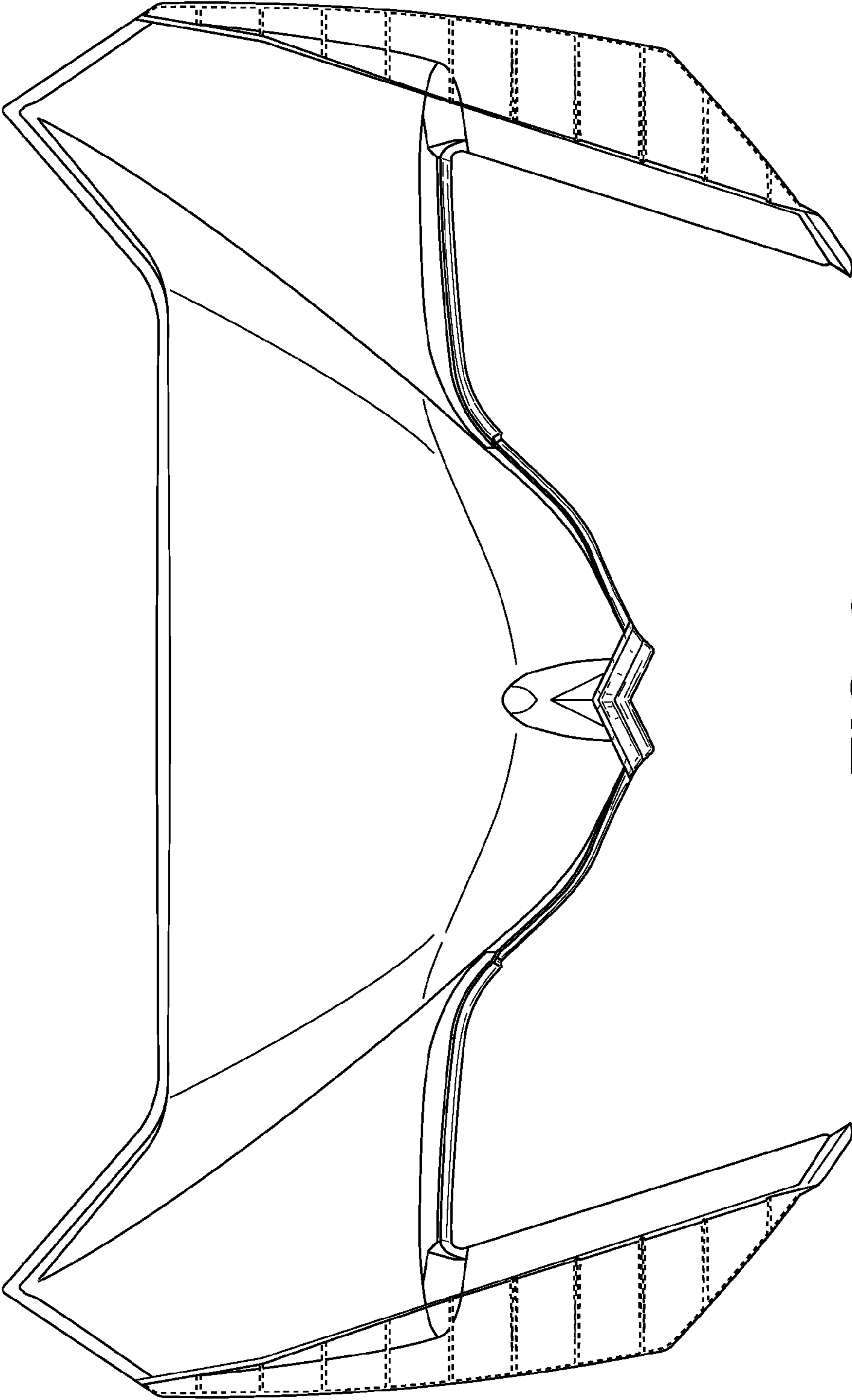
\* cited by examiner



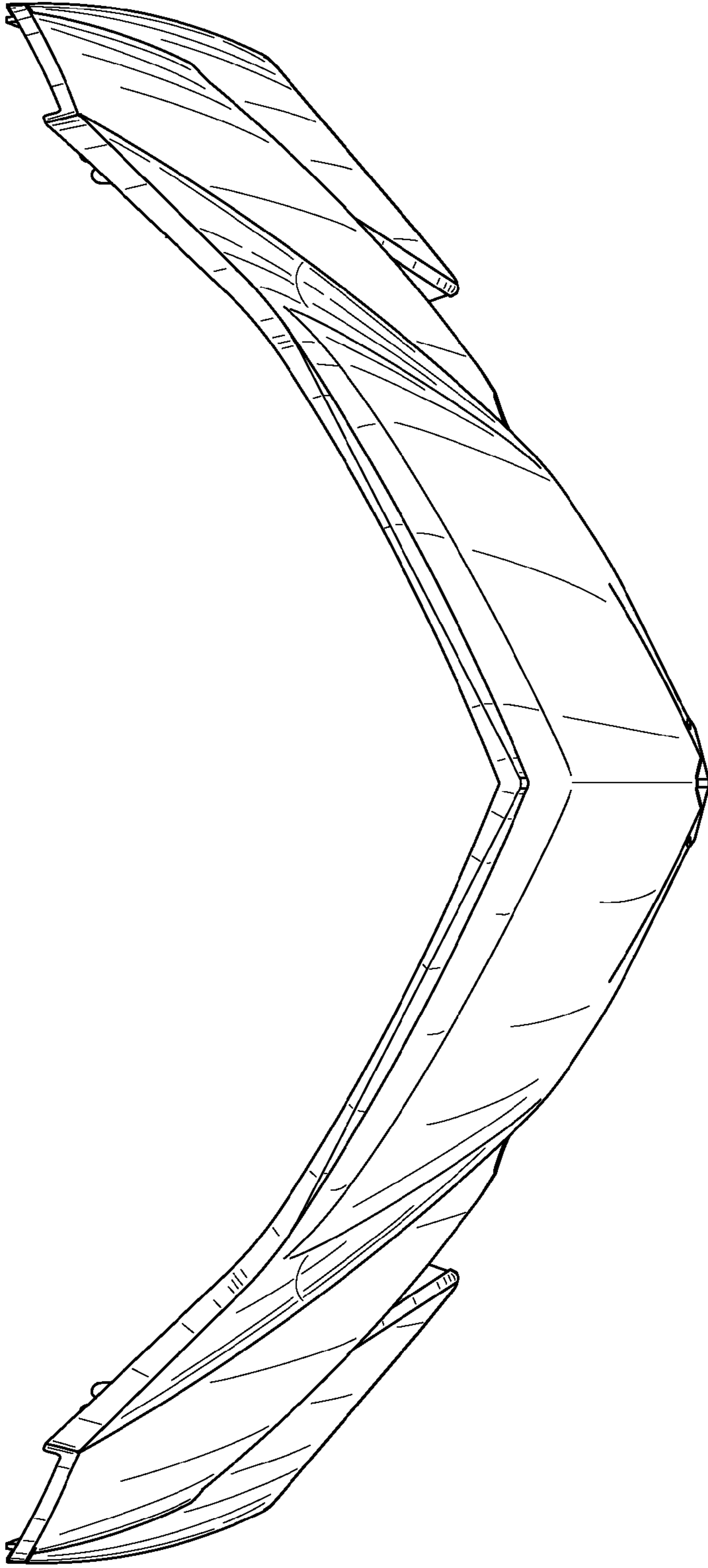
**FIG. 1**



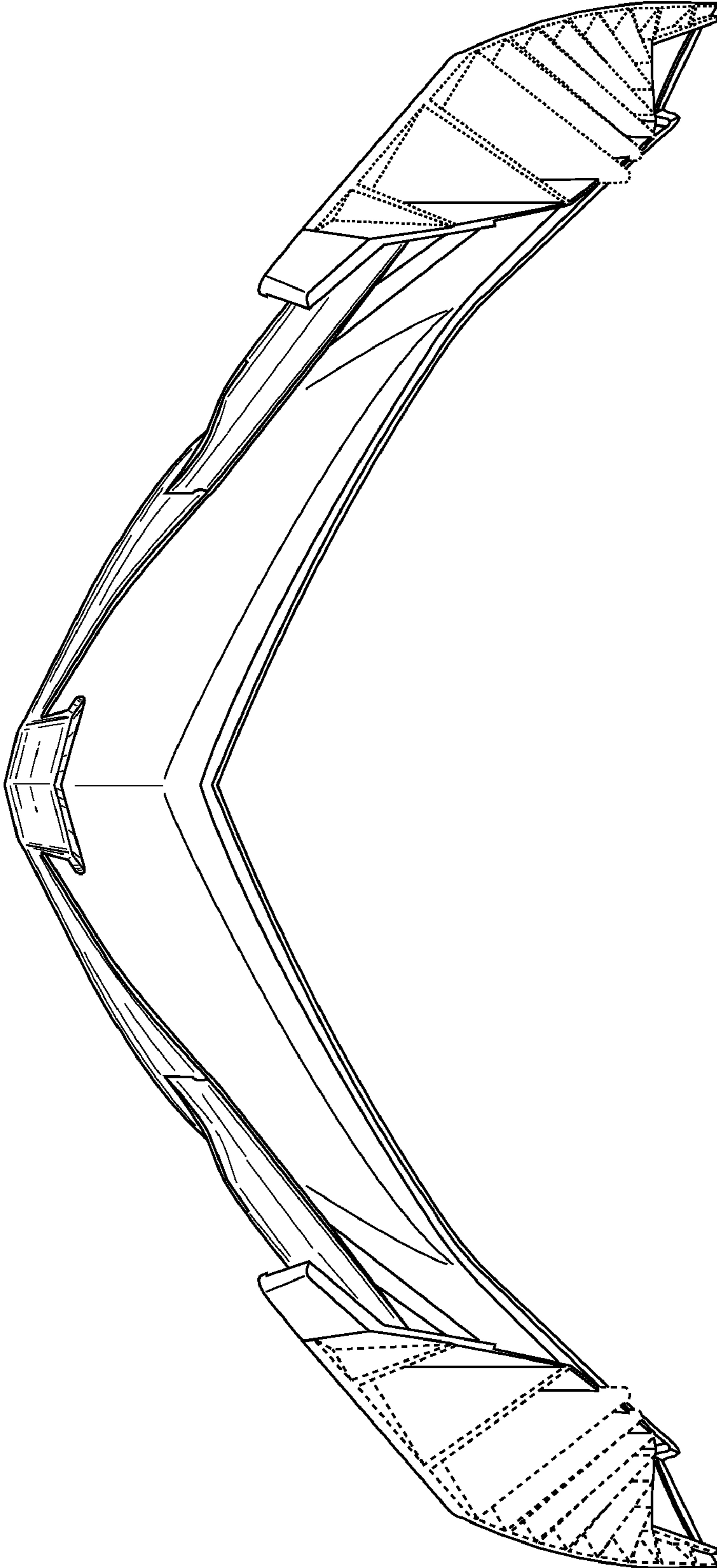
**FIG. 2**



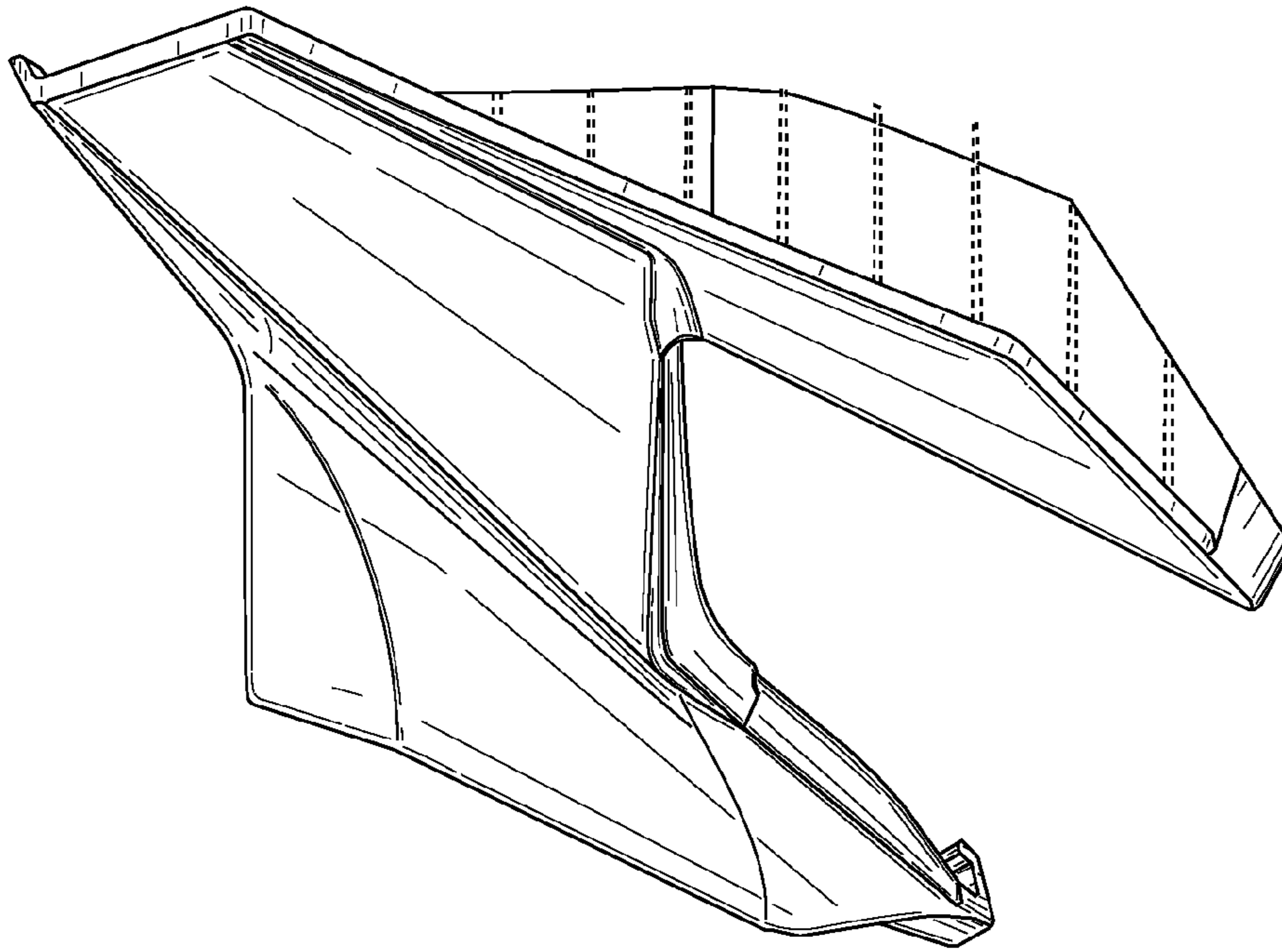
**FIG. 3**



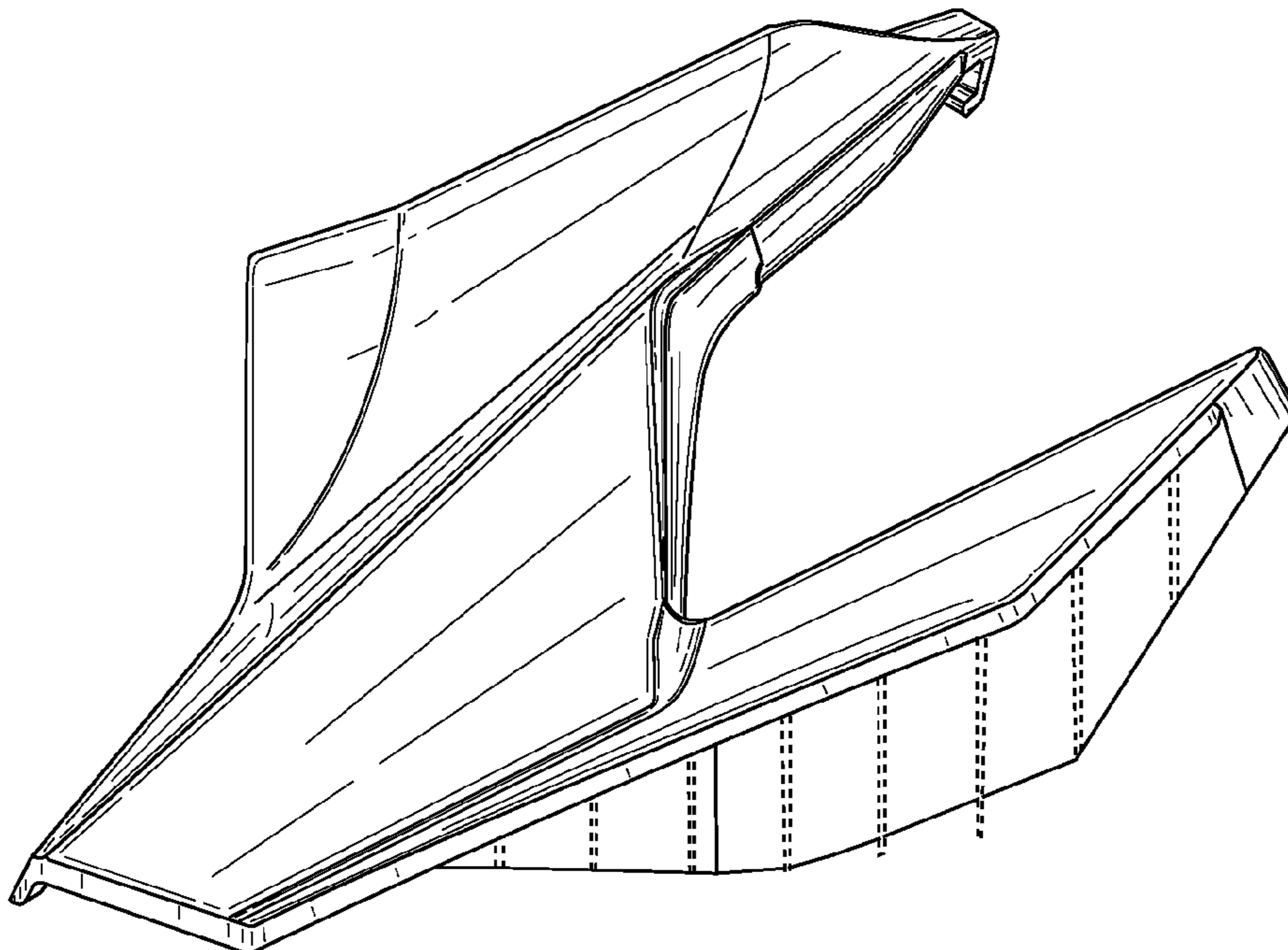
**FIG. 4**



**FIG. 5**



**FIG. 7**



**FIG. 6**



UNITED STATES PATENT AND TRADEMARK OFFICE  
**CERTIFICATE OF CORRECTION**

PATENT NO. : Des. 592,100 S  
APPLICATION NO. : 29/319904  
DATED : May 12, 2009  
INVENTOR(S) : Philippe Petit

Page 1 of 1

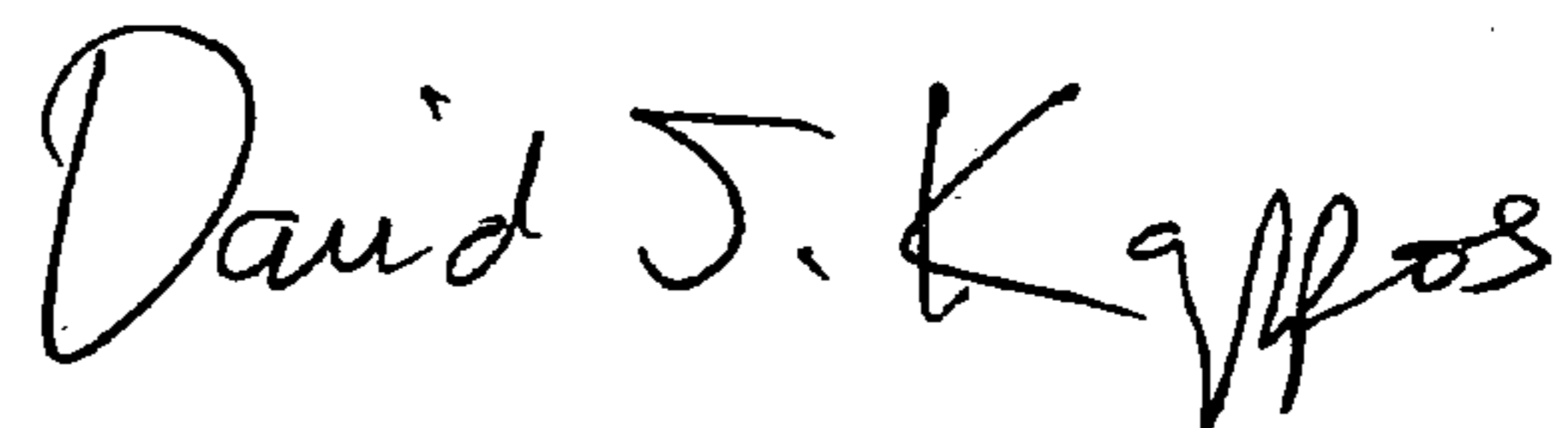
It is certified that error appears in the above-identified patent and that said Letters Patent is hereby corrected as shown below:

On the Title page:

Item (73) should read -- BRP FINLAND OY, Rovaniemi (FI) --

Signed and Sealed this

Fifteenth Day of December, 2009

A handwritten signature in black ink that reads "David J. Kappos". The signature is written in a cursive, slightly slanted style.

David J. Kappos  
*Director of the United States Patent and Trademark Office*