

US00D592099S

(12) **United States Design Patent**
Longpre et al.

(10) **Patent No.:** **US D592,099 S**

(45) **Date of Patent:** **** May 12, 2009**

(54) **SNOWMOBILE**

(75) Inventors: **Guillaume Longpre**, Granby (CA);
Martin Portelance, Chicoutimi (CA);
Etienne Guay, Orford (CA)

(73) Assignee: **Bombardier Recreational Products Inc.**, Valcourt (CA)

(**) Term: **14 Years**

(21) Appl. No.: **29/299,911**

(22) Filed: **Jan. 7, 2008**

(51) **LOC (9) Cl.** **12-14**

(52) **U.S. Cl.** **D12/7**

(58) **Field of Classification Search** D12/7,
D12/8, 9, 10, 110, 111, 112, 307, 400, 86,
D12/85, 88, 11, 159, 162, 168, 169, 172,
D12/173; D21/533; 180/182, 190, 184-186,
180/9.25, 180, 219, 193, 194; D6/354; 280/845
See application file for complete search history.

(56) **References Cited**

U.S. PATENT DOCUMENTS

D253,883 S	1/1980	Shimasaki
D264,830 S	6/1982	Ishiyama
D273,185 S	3/1984	Ishiyama
D278,892 S	5/1985	Kobayashi
D314,535 S	2/1991	Matsue
D319,607 S	9/1991	Lapointe
D328,575 S	8/1992	Berto
D334,374 S	3/1993	Hornai
D342,044 S	12/1993	Hornai
D342,220 S	12/1993	Hornai
D346,137 S	4/1994	Hornai
D389,780 S	1/1998	Komatsu et al.
D403,272 S	12/1998	Cadotte et al.
D403,273 S	12/1998	Cadotte et al.
D438,821 S	3/2001	Cadotte et al.
D446,166 S	8/2001	Cadotte et al.
D457,106 S	5/2002	Cadotte et al.
D457,202 S	5/2002	Baskin et al.
D466,049 S	11/2002	Cadotte

D468,547 S	1/2003	Cadotte et al.
D477,247 S	7/2003	Cadotte et al.
D477,248 S	7/2003	Cadotte et al.
D478,297 S	8/2003	Cadotte et al.
D478,532 S	8/2003	Crepeau et al.
D479,490 S	9/2003	Cadotte et al.
D479,696 S	9/2003	Cadotte et al.
D479,697 S	9/2003	Cadotte et al.
D479,813 S	9/2003	Cadotte et al.
D479,814 S	9/2003	Cadotte et al.

(Continued)

OTHER PUBLICATIONS

U.S. Appl. No. 29/299,912, filed Jan. 7, 2008. Title: Snowmobile Hood.

(Continued)

Primary Examiner—T. Chase Nelson
Assistant Examiner—Ania K Dworzecka
(74) *Attorney, Agent, or Firm*—Osler, Hoskin & Harcourt LLP

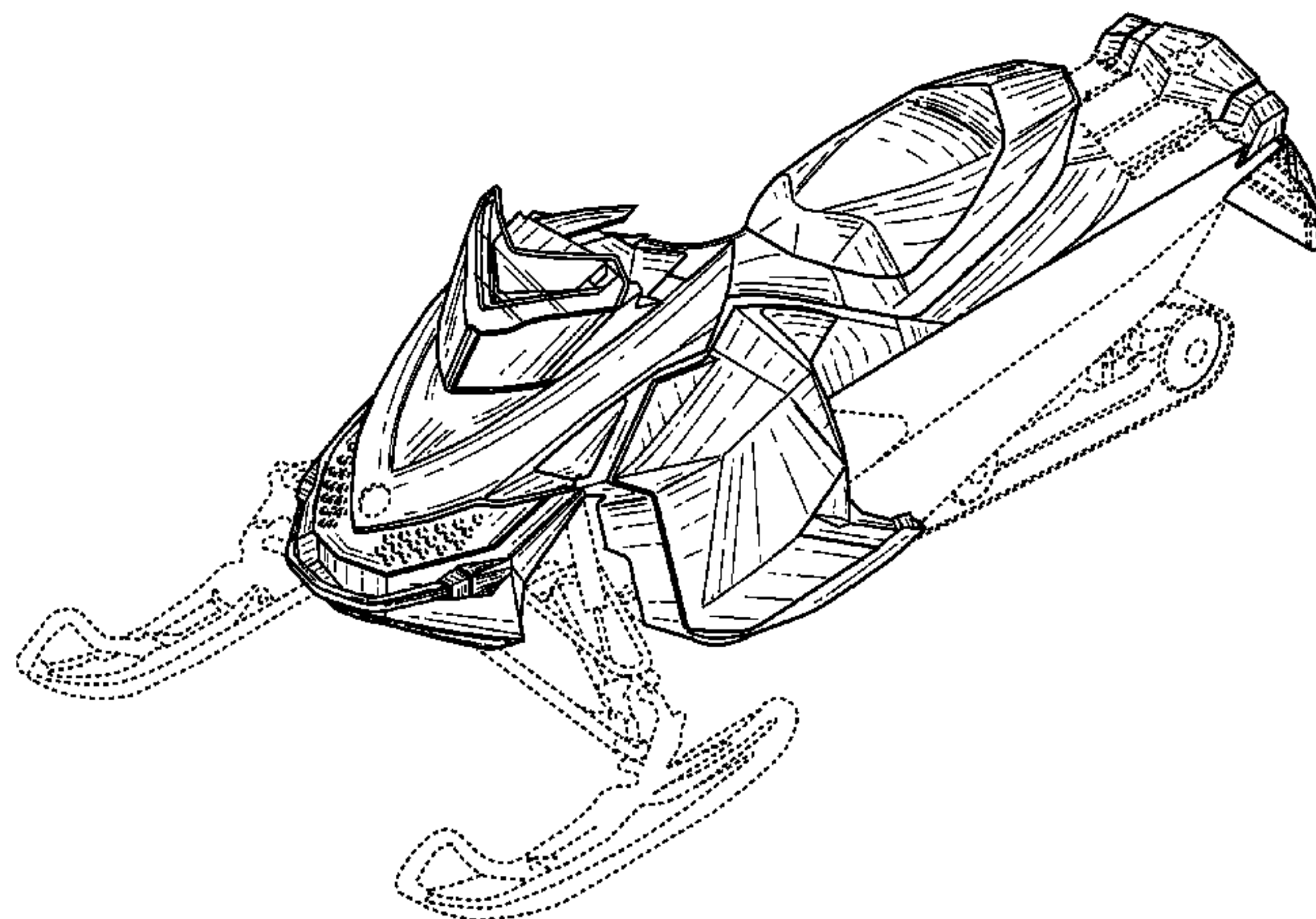
(57) **CLAIM**

The ornamental design for a snowmobile, as shown and described.

DESCRIPTION

FIG. 1 is a front left perspective view showing a snowmobile according to our design;
FIG. 2 is a left side elevation view thereof;
FIG. 3 is a right side elevation view thereof;
FIG. 4 is a rear elevation view thereof;
FIG. 5 is a front elevation view thereof; and,
FIG. 6 is a top plan view thereof.
Throughout the Figures, broken lines showing structure are for illustrative purposes only and form no part of the claimed design. Portions of the snowmobile not shown in the Figures form no part of the claimed design.

1 Claim, 6 Drawing Sheets



US D592,099 S

Page 2

U.S. PATENT DOCUMENTS

D479,815 S 9/2003 Crepeau et al.
D479,816 S 9/2003 Crepeau et al.
D480,019 S 9/2003 Cadotte et al.
D480,020 S 9/2003 Crepeau et al.
D487,233 S 3/2004 Cadotte et al.
D487,413 S 3/2004 Cadotte et al.
D488,094 S 4/2004 Cadotte et al.
D488,095 S 4/2004 Cadotte et al.
D488,096 S 4/2004 Cadotte et al.
D488,097 S 4/2004 Cadotte et al.
D488,098 S 4/2004 Cadotte et al.
D488,404 S 4/2004 Cadotte et al.
D493,121 S 7/2004 Sanschagrín et al.
D493,390 S 7/2004 Sanschagrín et al.
D494,100 S 8/2004 Sanschagrín et al.
D494,502 S 8/2004 Sanschagrín et al.
D494,503 S 8/2004 Sanschagrín et al.
D494,504 S 8/2004 Sanschagrín et al.
D494,505 S 8/2004 Sanschagrín et al.
D494,889 S 8/2004 Sanschagrín et al.
D495,274 S 8/2004 Sanschagrín et al.
D495,973 S 9/2004 Cadotte et al.
D496,883 S 10/2004 Sanschagrín et al.
D499,669 S 12/2004 Sanschagrín et al.
D505,889 S 6/2005 Girouard et al.
D511,998 S 11/2005 Deluy
D512,662 S 12/2005 Deluy
D515,457 S 2/2006 Deluy
D541,192 S 4/2007 Jokelainen

D548,136 S 8/2007 Musselman
D548,137 S 8/2007 Curthelet
D548,645 S 8/2007 Curthelet
D552,506 S 10/2007 Deluy
D563,271 S 3/2008 Curthelet
2002/0112909 A1* 8/2002 Nishijima 180/190
2003/0047368 A1* 3/2003 Morin et al. 180/190
2003/0070854 A1* 4/2003 Bergman 180/182
2003/0150658 A1* 8/2003 Nakano et al. 180/190
2004/0016583 A1* 1/2004 Pyykonen 180/193
2004/0188159 A1* 9/2004 Yatagai et al. 180/182
2004/0211608 A1* 10/2004 Morin et al. 180/190
2006/0191728 A1* 8/2006 Aoshima 180/190
2007/0034435 A1* 2/2007 Berg et al. 180/190
2007/0062751 A1* 3/2007 Rasidescu et al. 180/190

OTHER PUBLICATIONS

U.S. Appl. No. 29/299,915, filed Jan. 7, 2008. Title: Portions of a Snowmobile.
U.S. Appl. No. 29/299,921, filed Jan. 7, 2008. Title: Snowmobile Headlight Glass.
U.S. Appl. No. 29/299,913, filed Jan. 7, 2008. Title: Snowmobile Front Fairing.
U.S. Appl. No. 29/299,926, filed Jan. 7, 2008. Title: Snowmobile Side Panel.
U.S. Appl. No. 29/299,928, filed Jan. 7, 2008. Title: Snowmobile Side Panel.
U.S. Appl. No. 29/299,930, filed Jan. 7, 2008. Title: Snowmobile Body Panel.

* cited by examiner

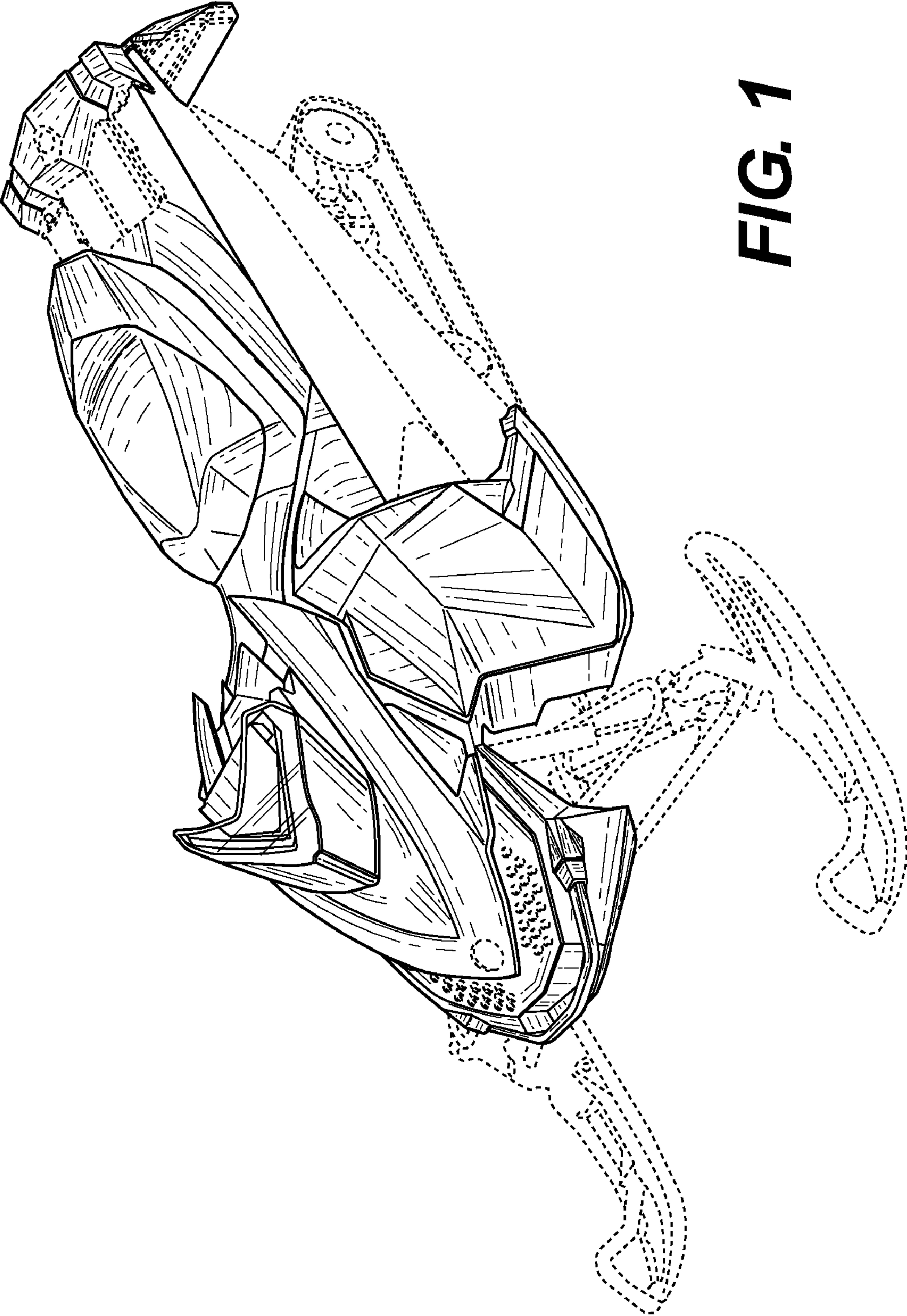


FIG. 1

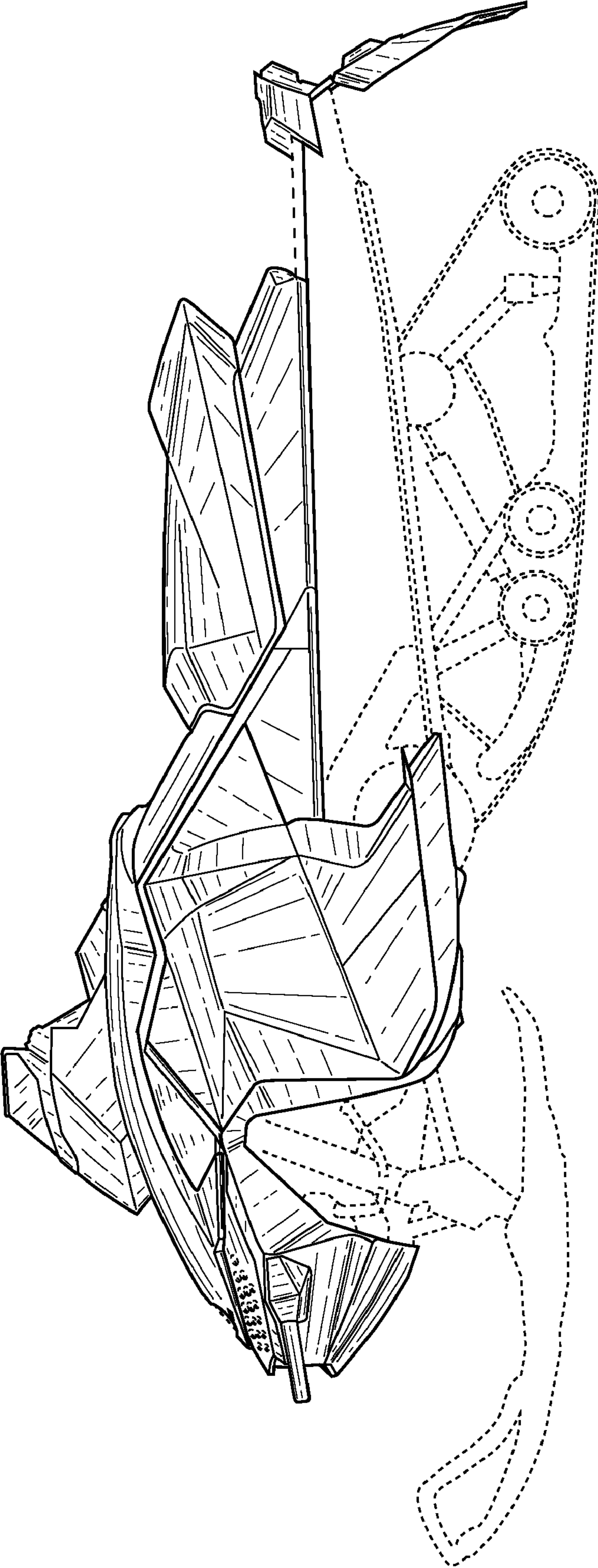


FIG. 2

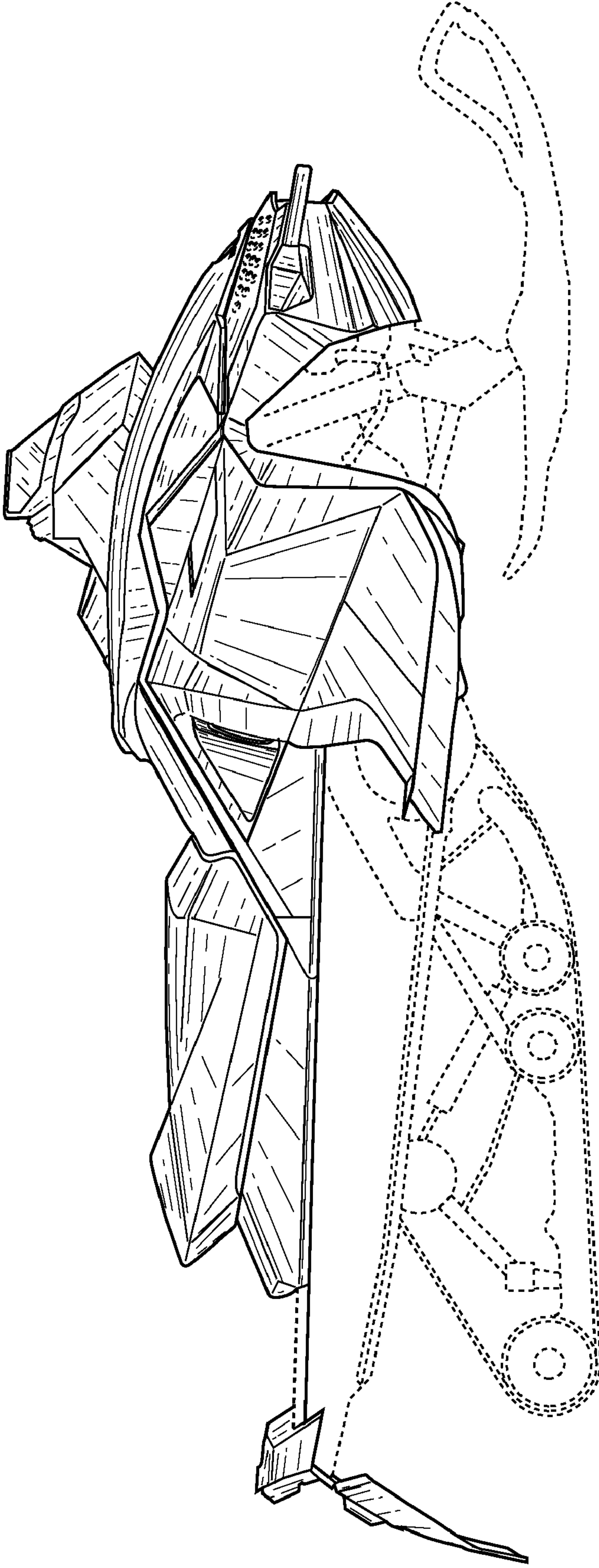


FIG. 3

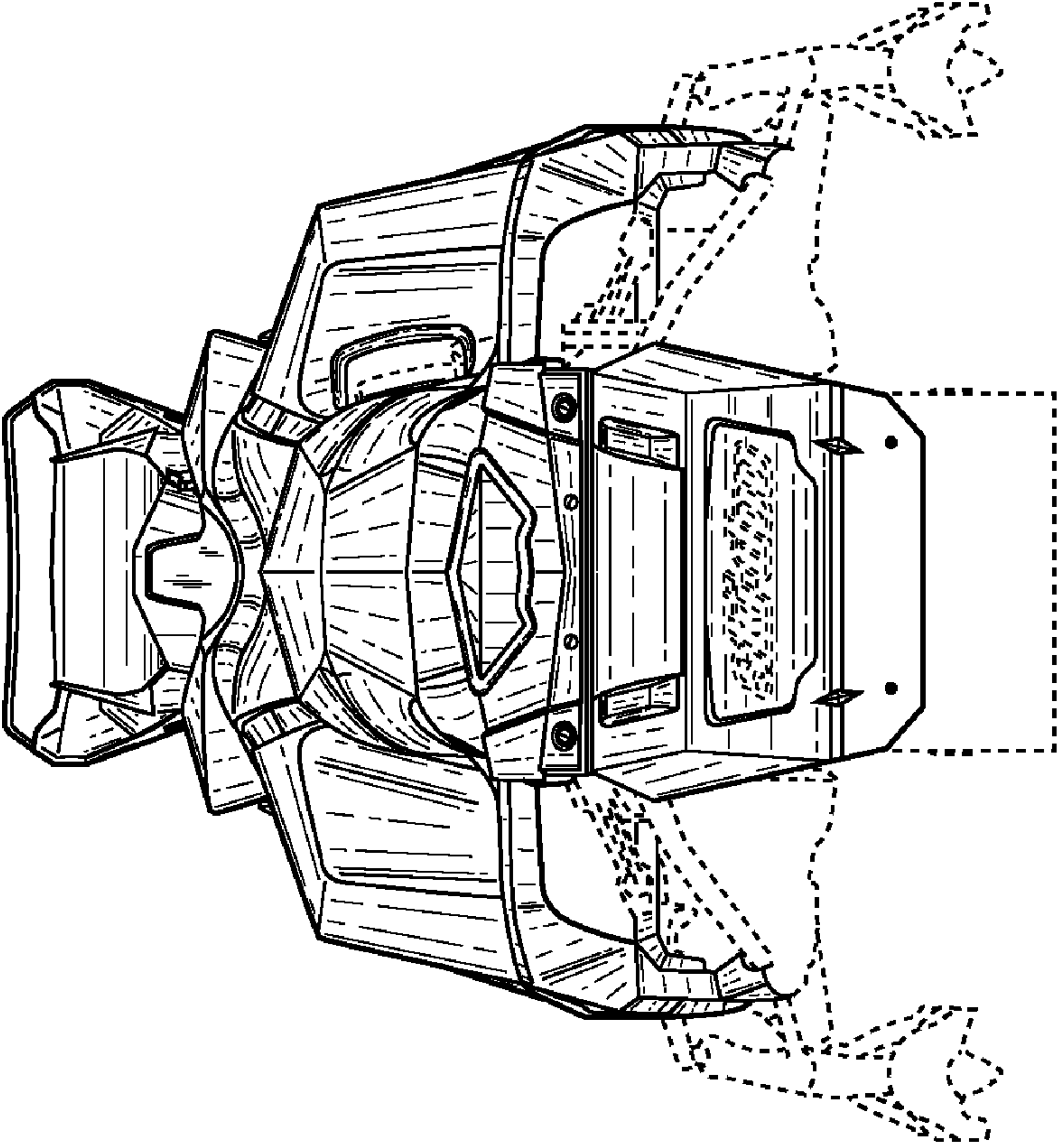


FIG. 4

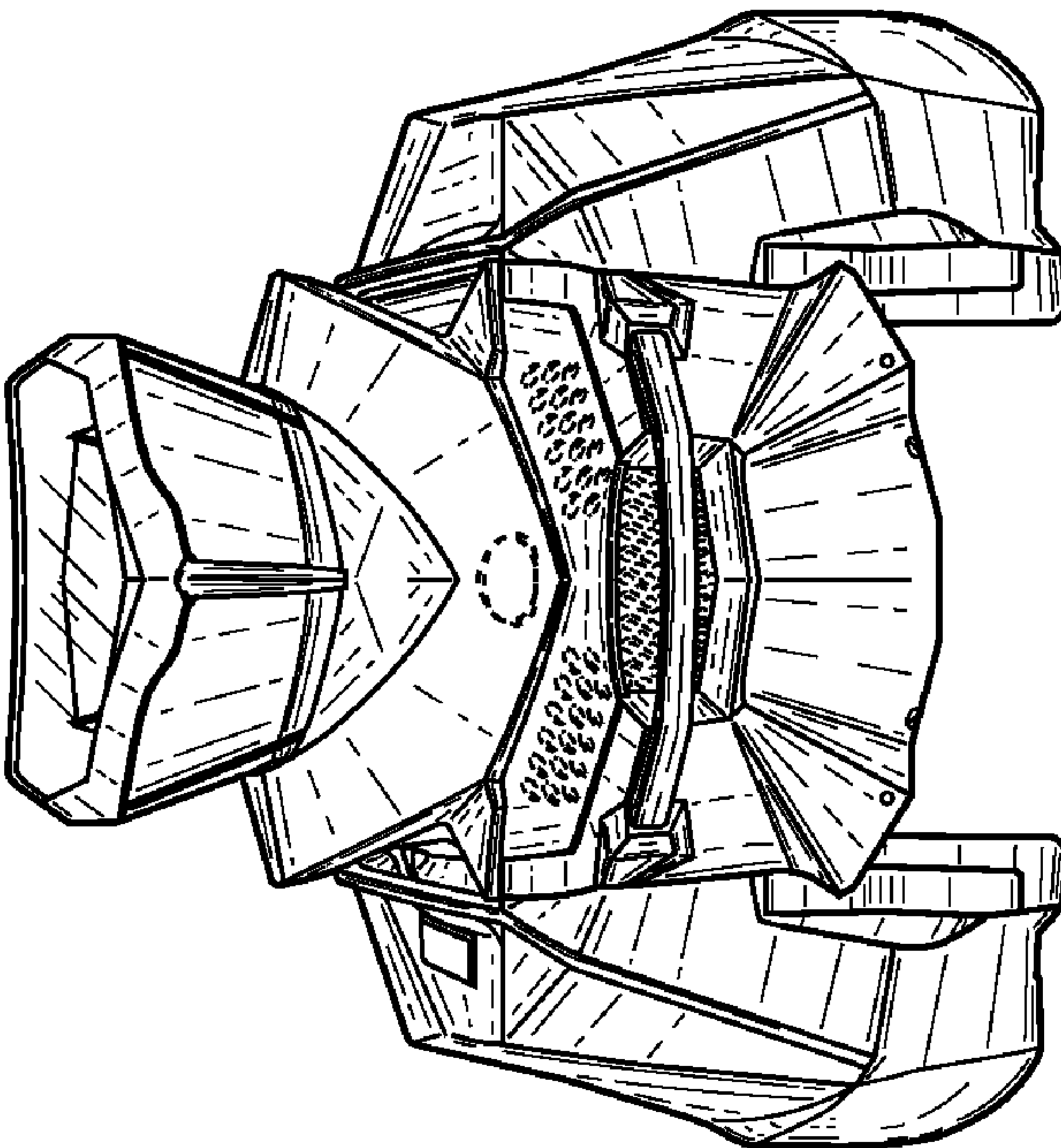


FIG. 5

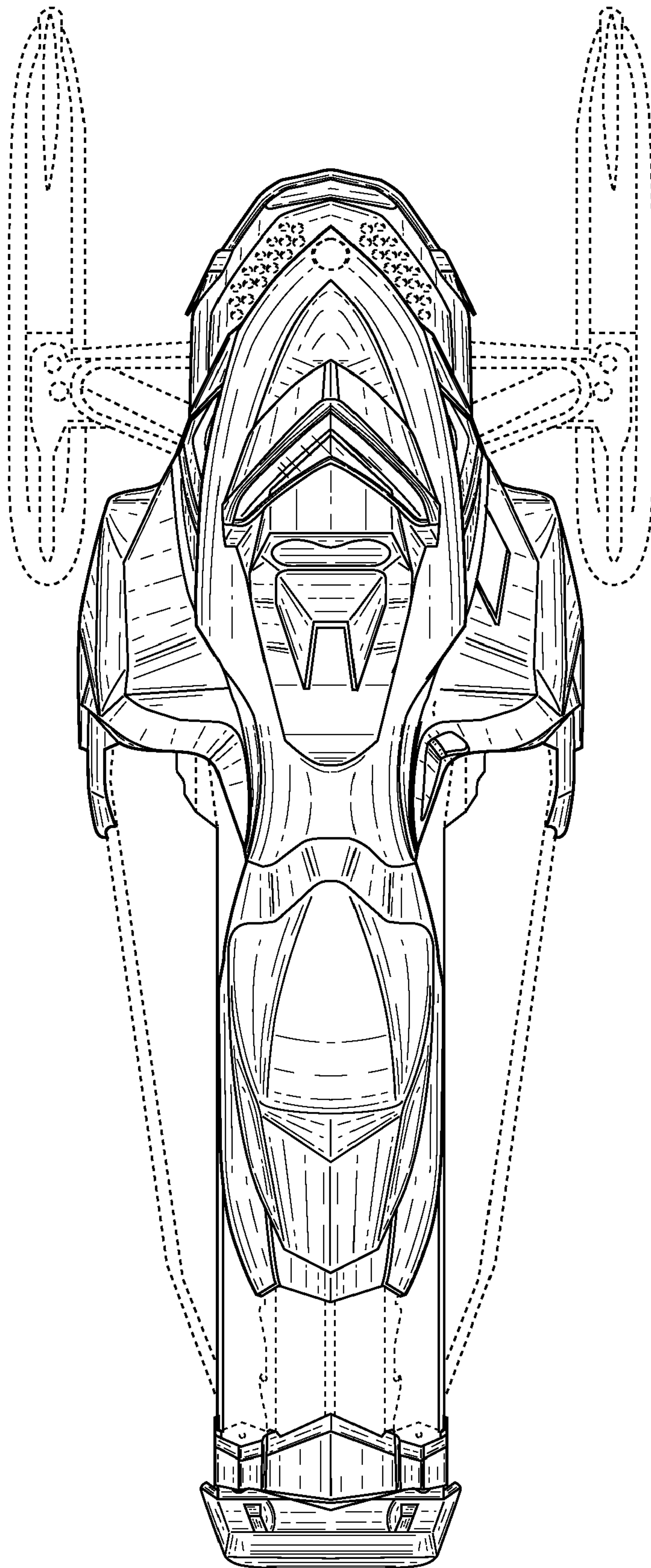


FIG. 6