



US00D592098S

(12) **United States Design Patent**
Petit

(10) **Patent No.:** **US D592,098 S**

(45) **Date of Patent:** **** May 12, 2009**

(54) **SNOWMOBILE**

(75) Inventor: **Philippe Petit**, Orford (CA)

(73) Assignee: **BRP Finland Oy**, Rovaniemi (FI)

(**) Term: **14 Years**

(21) Appl. No.: **29/298,601**

(22) Filed: **Dec. 7, 2007**

(51) **LOC (9) Cl.** **12-14**

(52) **U.S. Cl.** **D12/7**

(58) **Field of Classification Search** D12/7,
D12/8, 9, 10, 110, 111, 112, 307, 400, 86,
D12/85, 88, 11, 159, 162, 168, 169, 172,
D12/173; D21/533; 180/182, 190, 184-186,
180/9.25, 180, 219, 193, 194; D6/354; 280/845
See application file for complete search history.

(56) **References Cited**

U.S. PATENT DOCUMENTS

D253,883 S	1/1980	Shimasaki
D264,830 S	6/1982	Ishiyama
D273,185 S	3/1984	Ishiyama
D278,892 S	5/1985	Kobayashi
D314,535 S	2/1991	Matsue
D319,607 S	9/1991	Anselme
D328,575 S	8/1992	Berto
D334,374 S	3/1993	Hornai
D342,044 S	12/1993	Hornai
D342,220 S	12/1993	Hornai
D346,137 S	4/1994	Hornai
D362,207 S	9/1995	Hacke et al.
D389,780 S	1/1998	Komatsu et al.
D403,272 S	12/1998	Cadotte et al.
D403,273 S	12/1998	Cadotte et al.
D438,821 S	3/2001	Cadotte et al.
D446,166 S	8/2001	Cadotte et al.
D457,106 S	5/2002	Cadotte et al.
D457,202 S	5/2002	Baskin et al.

D466,049 S	11/2002	Cadotte
D468,547 S	1/2003	Cadotte et al.
D477,247 S	7/2003	Cadotte et al.
D477,248 S	7/2003	Cadotte et al.
D478,297 S	8/2003	Cadotte et al.
D478,532 S	8/2003	Crepeau et al.
D479,490 S	9/2003	Cadotte et al.

(Continued)

OTHER PUBLICATIONS

U.S. Appl. No. 29/298,597, filed Dec. 7, 2007. Title: Snowmobile Hood.

(Continued)

Primary Examiner—T. Chase Nelson
Assistant Examiner—Ania K Dworzecka
(74) *Attorney, Agent, or Firm*—Osler, Hoskin & Harcourt LLP

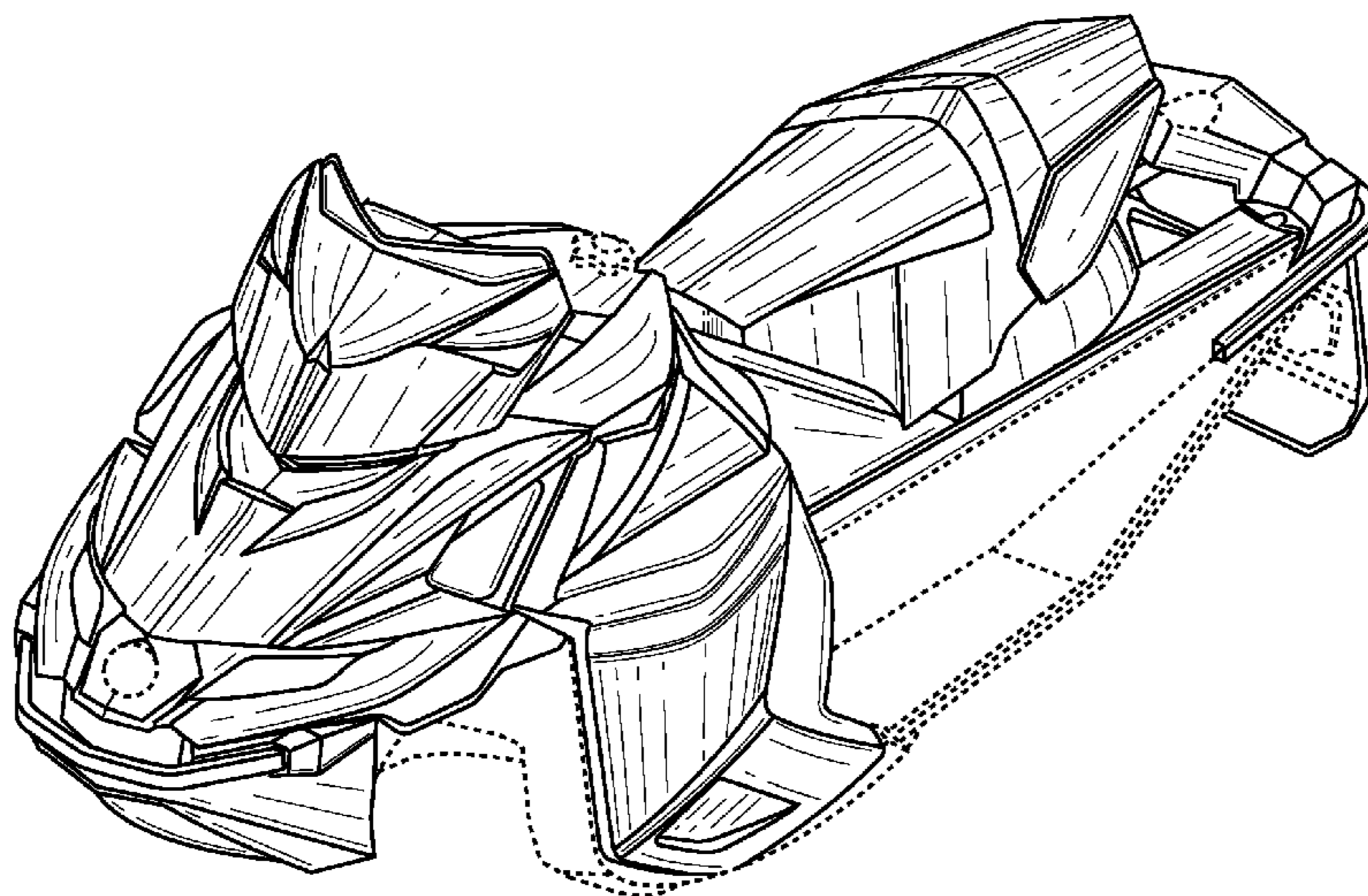
(57) **CLAIM**

The ornamental design of a snowmobile, as shown and described.

DESCRIPTION

FIG. 1 is a front left perspective view showing a snowmobile according to my design;
FIG. 2 is a front elevation view thereof;
FIG. 3 is a rear elevation view thereof;
FIG. 4 is a left side elevation view thereof;
FIG. 5 is a right side elevation view thereof; and,
FIG. 6 is a top plan view thereof.
Throughout the Figures, broken lines showing structure are for illustrative purposes only and form no part of the claimed design. Portions of the snowmobile not shown in the Figures form no part of the claimed design.

1 Claim, 5 Drawing Sheets



US D592,098 S

Page 2

U.S. PATENT DOCUMENTS

D479,696 S	9/2003	Cadotte et al.	D505,889 S	6/2005	Girouard et al.	
D479,697 S	9/2003	Cadotte et al.	D511,998 S	11/2005	Deluy	
D479,813 S	9/2003	Cadotte et al.	D512,662 S	12/2005	Deluy	
D479,814 S	9/2003	Cadotte et al.	D515,457 S	2/2006	Deluy	
D479,815 S	9/2003	Crepeau et al.	D541,192 S	4/2007	Jokelainen	
D479,816 S	9/2003	Crepeau et al.	D548,136 S	8/2007	Musselman	
D480,019 S	9/2003	Cadotte et al.	D548,137 S	8/2007	Curthelet	
D480,020 S	9/2003	Crepeau et al.	D548,645 S	8/2007	Curthelet	
D487,233 S	3/2004	Cadotte et al.	D552,506 S	10/2007	Deluy	
D487,413 S	3/2004	Cadotte et al.	D563,271 S	3/2008	Curthelet	
D488,094 S	4/2004	Cadotte et al.	2002/0112909 A1 *	8/2002	Nishijima	180/190
D488,095 S	4/2004	Cadotte et al.	2003/0047368 A1 *	3/2003	Morin et al.	180/190
D488,096 S	4/2004	Cadotte et al.	2003/0070854 A1 *	4/2003	Bergman	180/182
D488,097 S	4/2004	Cadotte et al.	2003/0150658 A1 *	8/2003	Nakano et al.	180/190
D488,098 S	4/2004	Cadotte et al.	2004/0016583 A1 *	1/2004	Pyykonen	180/193
D488,404 S	4/2004	Cadotte et al.	2004/0188159 A1 *	9/2004	Yatagai et al.	180/182
D493,121 S	7/2004	Sanschagrín et al.	2004/0211608 A1 *	10/2004	Morin et al.	180/190
D493,390 S	7/2004	Sanschagrín et al.	2006/0191728 A1 *	8/2006	Aoshima	180/190
D494,100 S	8/2004	Sanschagrín et al.	2007/0034435 A1 *	2/2007	Berg et al.	180/190
D494,502 S	8/2004	Sanschagrín et al.	2007/0062751 A1 *	3/2007	Rasidescu et al.	180/190
D494,503 S	8/2004	Sanschagrín et al.				
D494,504 S	8/2004	Sanschagrín et al.				
D494,505 S	8/2004	Sanschagrín et al.				
D494,889 S	8/2004	Sanschagrín et al.				
D495,274 S	8/2004	Sanschagrín et al.				
D495,973 S	9/2004	Cadotte et al.				
D496,883 S	10/2004	Sanschagrín et al.				
D499,669 S	12/2004	Sanschagrín et al.				

OTHER PUBLICATIONS

U.S. Appl. No. 29/298,600, filed Dec. 7, 2007. Title: Snowmobile Side Panel.

U.S. Appl. No. 29/298,599, filed Dec. 7, 2007. Title: Snowmobile Side Panel.

U.S. Appl. No. 29/298,602, filed Dec. 7, 2007. Title: Snowmobile.

* cited by examiner

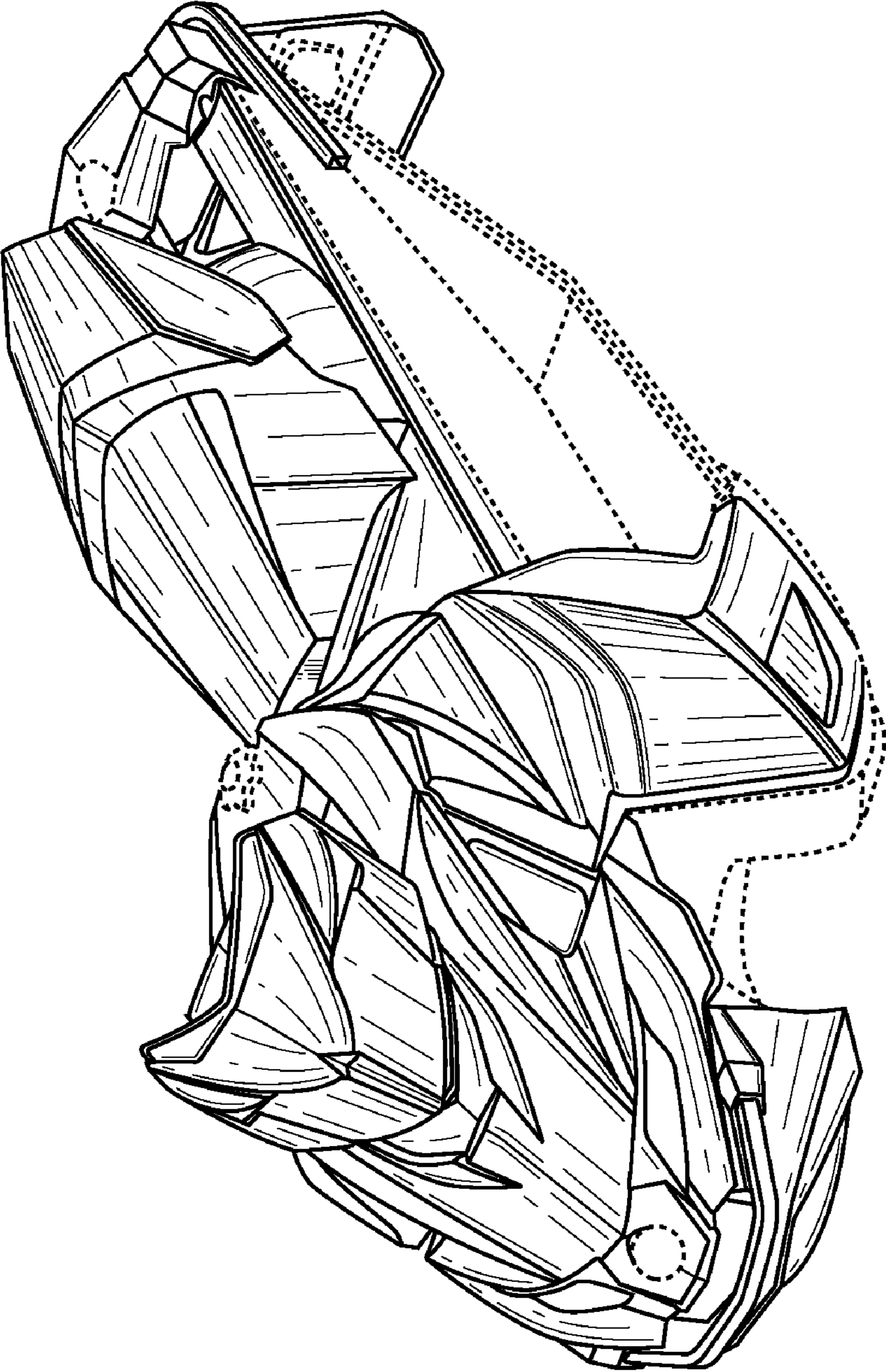


FIG. 1

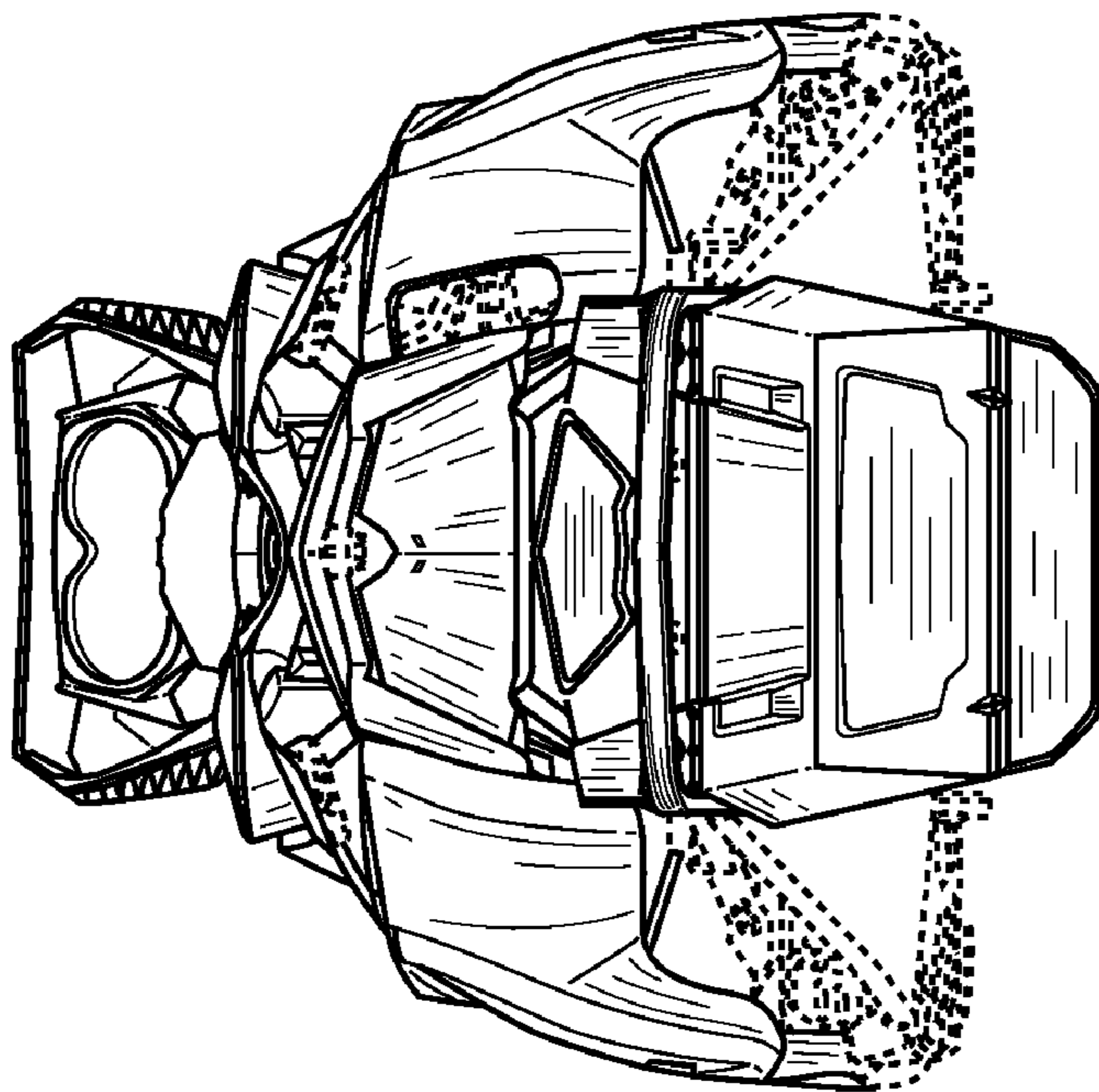


FIG. 3

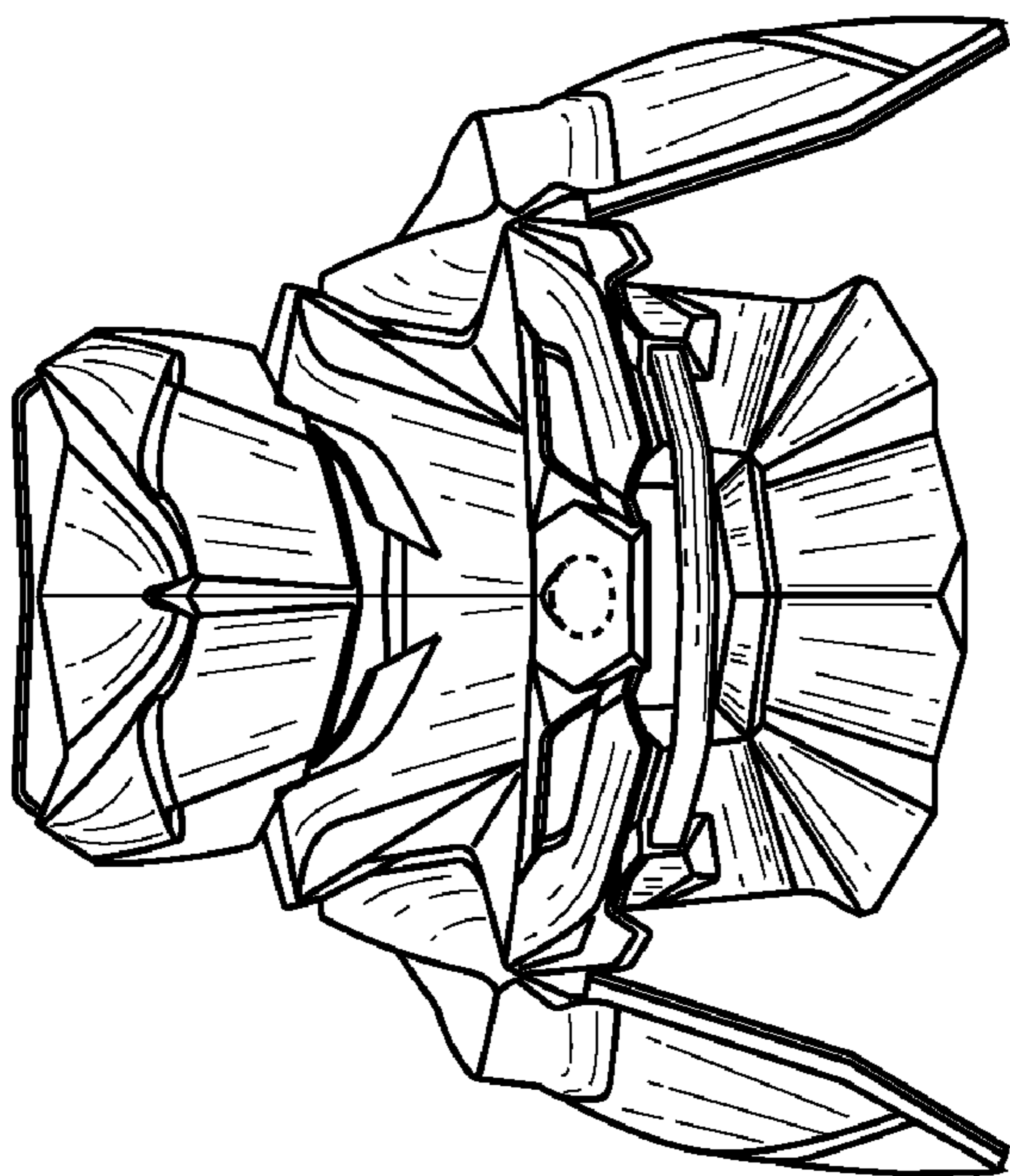


FIG. 2

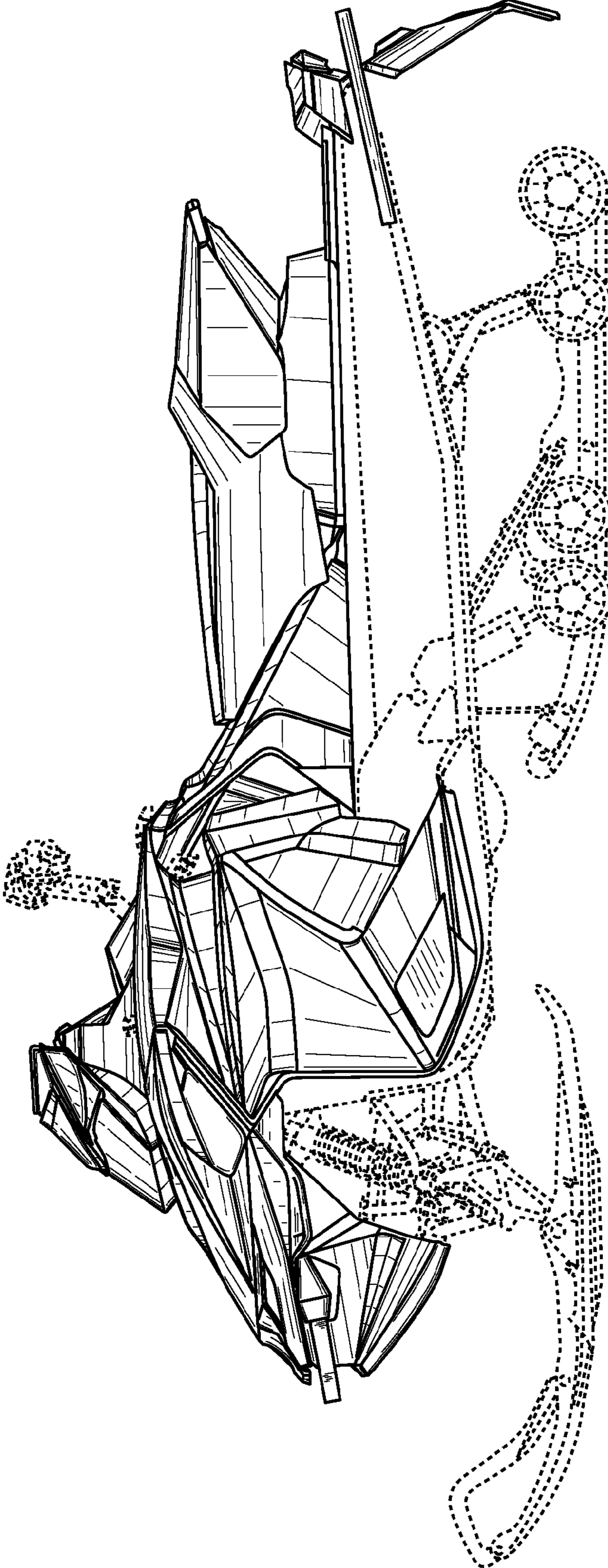


FIG. 4

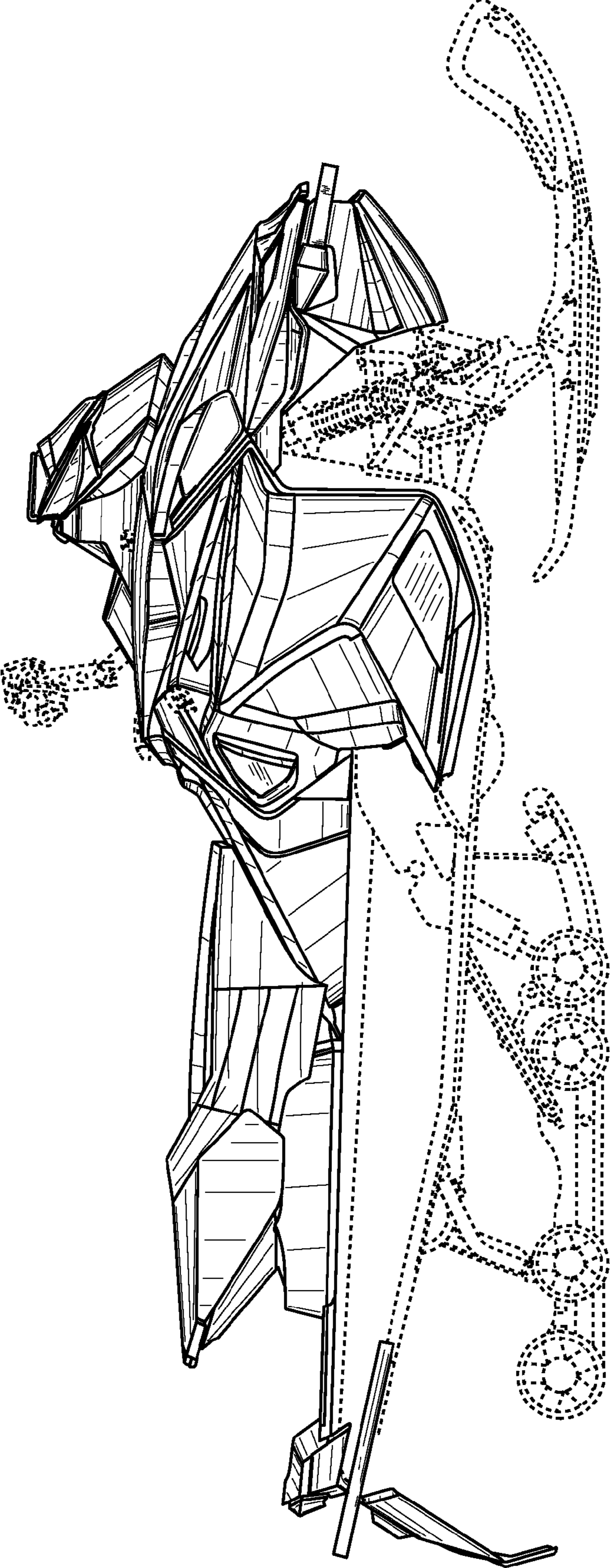


FIG. 5

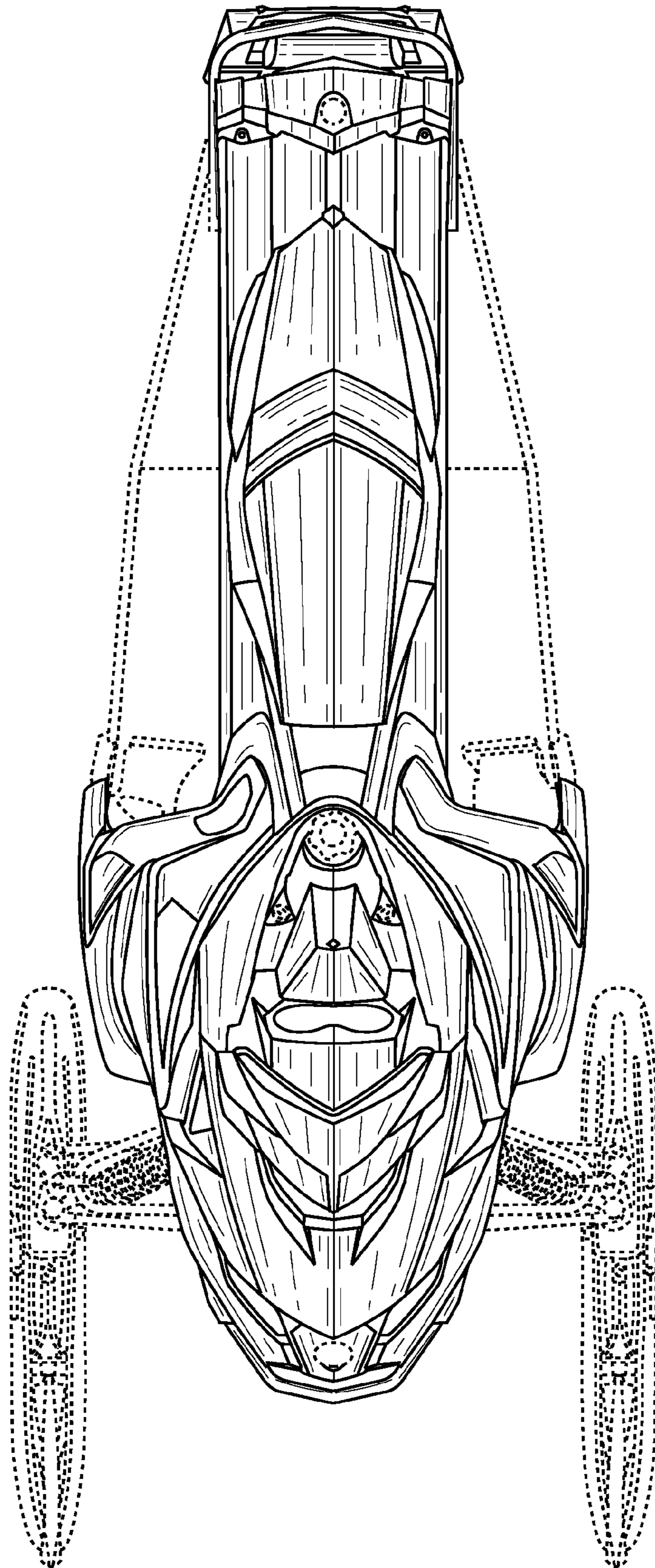


FIG. 6