



US00D592097S

(12) **United States Design Patent**  
**Androuais**

(10) **Patent No.:** **US D592,097 S**  
(45) **Date of Patent:** **\*\* May 12, 2009**

(54) **CHARM BELT WITH REMOVABLE DECORATIVE BUTTONS**

(76) Inventor: **James W. Androuais**, 560 Cool Dell Ct., St. Louis, MO (US) 63021

(\*\*) Term: **14 Years**

(21) Appl. No.: **29/299,093**

(22) Filed: **Dec. 19, 2007**

(51) **LOC (9) Cl.** ..... **02-07**

(52) **U.S. Cl.** ..... **D11/222**

(58) **Field of Classification Search** ..... D11/1-25, D11/200, 201-206, 212-214, 220, 226, 228, D11/231; 63/3, 3.1, 3.2, 4, 5.1, 7, 10, 11, 63/15, 15.7, 18, 21, 35, 37, 38; 224/175  
See application file for complete search history.

(56) **References Cited**

**U.S. PATENT DOCUMENTS**

D27,537	S *	8/1897	Richardson	.....	D11/220
1,480,839	A *	1/1924	Robinson	.....	24/105
3,262,170	A *	7/1966	Gill	.....	24/105
3,285,311	A *	11/1966	Cushman	.....	52/787.1
3,341,905	A *	9/1967	Gill	.....	24/105
3,431,546	A *	3/1969	Averill	.....	439/808
4,000,547	A *	1/1977	Eisenpresser	.....	24/618
4,033,243	A *	7/1977	Kirrish et al.	.....	411/338
4,035,874	A *	7/1977	Liljendahl	.....	24/114.4
4,507,344	A *	3/1985	Baughman	.....	428/99
4,560,312	A *	12/1985	Grady	.....	411/55
5,593,265	A *	1/1997	Kizer	.....	411/552
5,722,126	A *	3/1998	Reiter	.....	24/303
5,743,670	A *	4/1998	Ader	.....	403/296
6,196,779	B1 *	3/2001	Falk	.....	411/54.1
6,258,091	B1 *	7/2001	Sevrain et al.	.....	606/301
6,435,791	B1 *	8/2002	Bydalek	.....	411/428
D477,793	S *	7/2003	Udolph et al.	.....	D11/200
D492,619	S *	7/2004	Udolph et al.	.....	D11/200

6,964,549	B2 *	11/2005	Fallon	.....	411/377
D517,947	S *	3/2006	Hollingworth et al.	.....	D11/220
2002/0039493	A1 *	4/2002	Tanaka	.....	396/543
2002/0088098	A1 *	7/2002	Bouley	.....	24/464

**FOREIGN PATENT DOCUMENTS**

DE	4239706	A1 *	6/1994
JP	03119619	A *	5/1991
JP	05123206	A *	5/1993
WO	WO 9007885	A1 *	7/1990

\* cited by examiner

*Primary Examiner*—Louis S Zarfaz

*Assistant Examiner*—Michael A Pratt

(74) *Attorney, Agent, or Firm*—Grace J. Fishel

(57) **CLAIM**

The ornamental design for a charm belt with removable decorative buttons, as shown.

**DESCRIPTION**

FIG. 1 is a front elevational view of a charm belt with removable decorative buttons showing my new design in use;

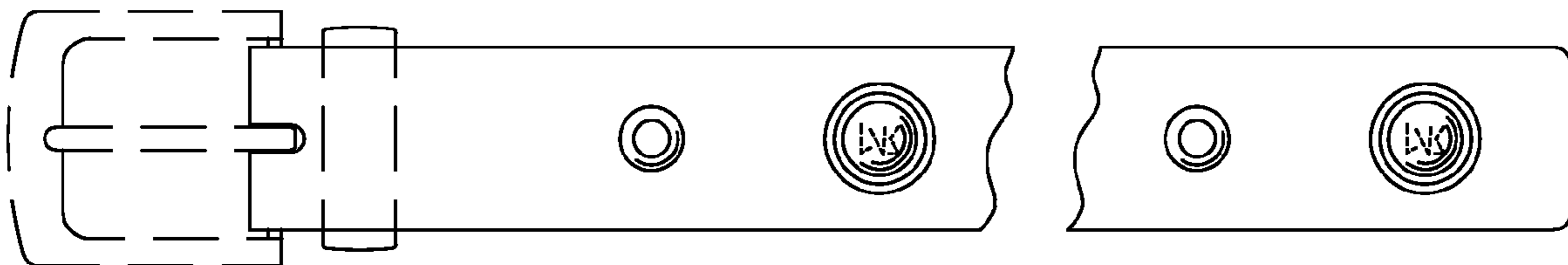
FIG. 2 is a rear elevational view thereof;

FIG. 3 is an enlarged exploded perspective rear view thereof with the removable decorative buttons shown removed and with the charm belt shown broken away to indicate unspecified length; and,

FIG. 4 is an enlarged exploded perspective front view thereof with the removable decorative buttons shown removed and with the charm belt shown broken away to indicate unspecified length.

The buckle and keeper shown in broken lines in FIGS. 1 and 2 are for illustrative purposes only and form no part of the claimed design.

**1 Claim, 2 Drawing Sheets**



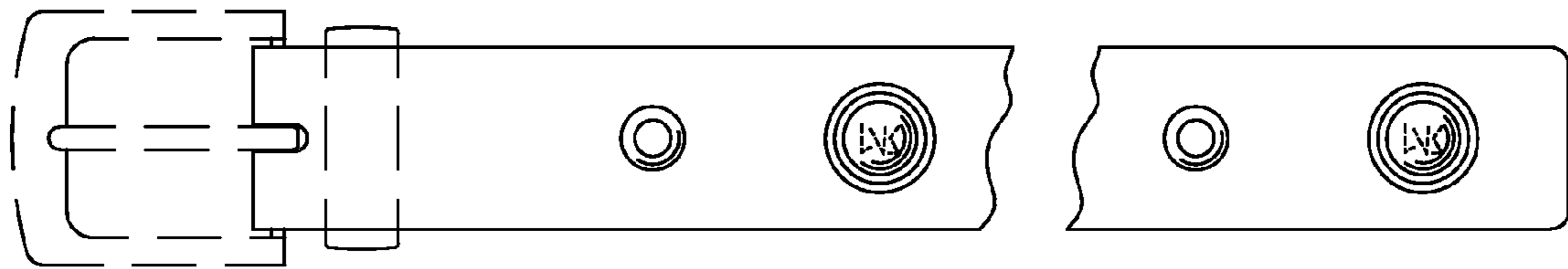


FIG. 1

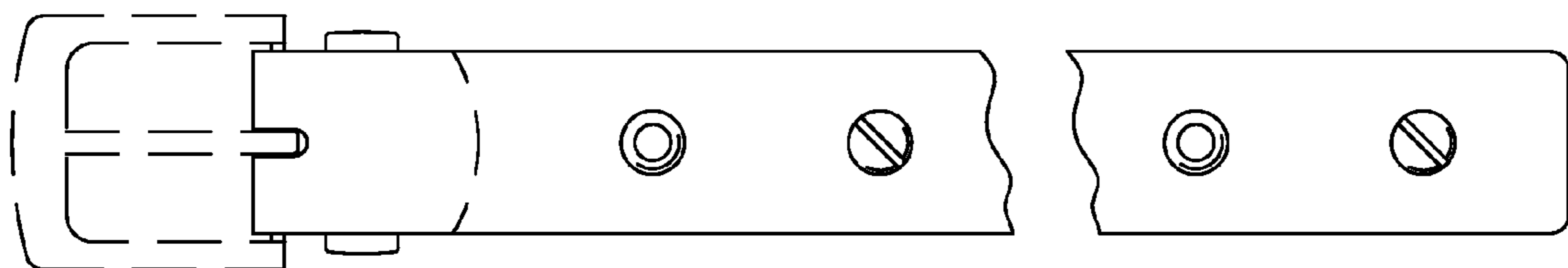


FIG. 2

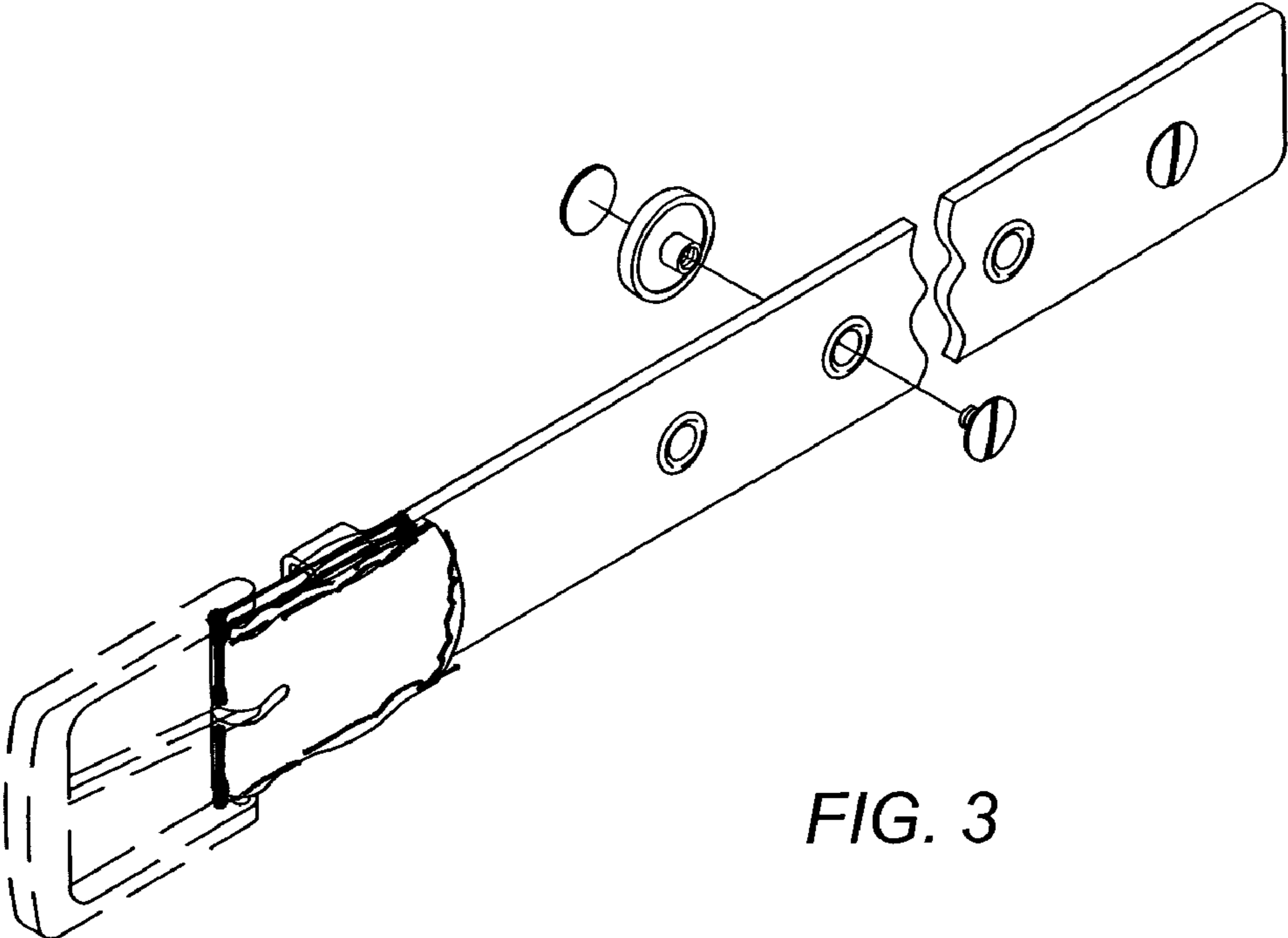


FIG. 3

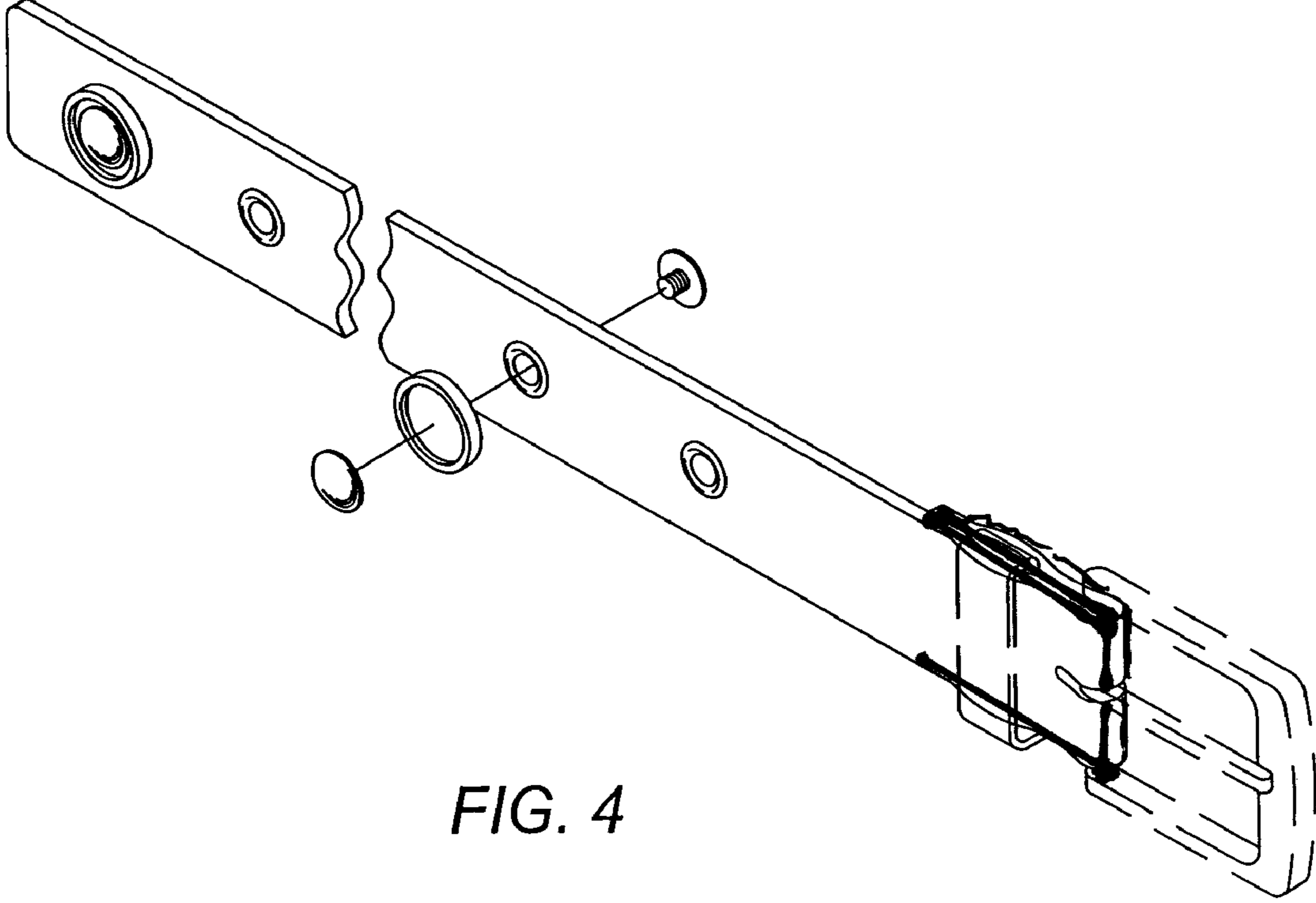


FIG. 4