



US00D592095S

(12) **United States Design Patent**
Wessling

(10) **Patent No.:** **US D592,095 S**

(45) **Date of Patent:** **** May 12, 2009**

(54) **CHRISTMAS TREE WATERING ORNAMENT**

(76) Inventor: **Terrence L. Wessling**, 1704 Efland Dr.,
Greensboro, NC (US) 27408

(**) Term: **14 Years**

(21) Appl. No.: **29/307,320**

(22) Filed: **Apr. 11, 2008**

(51) **LOC (9) Cl.** **11-05**

(52) **U.S. Cl.** **D11/121; D11/117**

(58) **Field of Classification Search** D11/117,
D11/119, 120, 121, 124, 125, 127, 130, 131,
D11/132, 133, 134, 157, 158; 428/7-11
See application file for complete search history.

(56) **References Cited**

U.S. PATENT DOCUMENTS

581,780	A *	5/1897	Shaaber	116/149
1,217,675	A *	2/1917	Wilmsen	428/11
1,505,155	A *	8/1924	MacKenzie et al.	116/148
D88,768	S	12/1932	Gerent	
D96,335	S *	7/1935	Pollock	D11/125
D115,787	S *	7/1939	Grieco	D11/125
D122,666	S *	9/1940	Goldman	D11/125
D129,841	S *	10/1941	Adler	D11/117
2,510,569	A *	6/1950	Garthwait et al.	116/150
D160,782	S	11/1950	Greene	
D161,163	S *	12/1950	Burros	D11/125
D164,737	S *	10/1951	Sarna	D10/116
2,598,169	A *	5/1952	Hubbell	116/150
D166,931	S *	6/1952	Sarna	D10/116
D173,870	S *	1/1955	Gilyard	D11/125
2,749,637	A *	6/1956	Bradshaw	428/11
D180,712	S *	7/1957	Haks	D3/270
D184,201	S *	12/1958	Lewis	D7/599
D277,742	S *	2/1985	Hermanson	D11/125

D318,415	S	7/1991	Lamont et al.	
D342,480	S *	12/1993	Fussell	D13/112
D410,594	S *	6/1999	Sterr et al.	D11/184
D411,481	S *	6/1999	Ning	D11/125
D415,714	S *	10/1999	Danon et al.	D11/127
D498,701	S *	11/2004	Libuda et al.	D11/125
D557,628	S *	12/2007	Shah	D11/91
D559,729	S *	1/2008	Chen	D11/121
2008/0248221	A1 *	10/2008	Chen	428/11

* cited by examiner

Primary Examiner—Stella M Reid

Assistant Examiner—Elizabeth J Oswecki

(57) **CLAIM**

The ornamental design for a Christmas tree watering ornament, as shown and described.

DESCRIPTION

FIG. 1 is a front elevational view of a first embodiment of a Christmas tree watering ornament showing my new design, the rear elevational view being a mirror image thereof;

FIG. 2 is a left side elevational view thereof, the right side elevational view being a mirror image thereof;

FIG. 3 is a bottom plan view thereof;

FIG. 4 is a top plan view thereof;

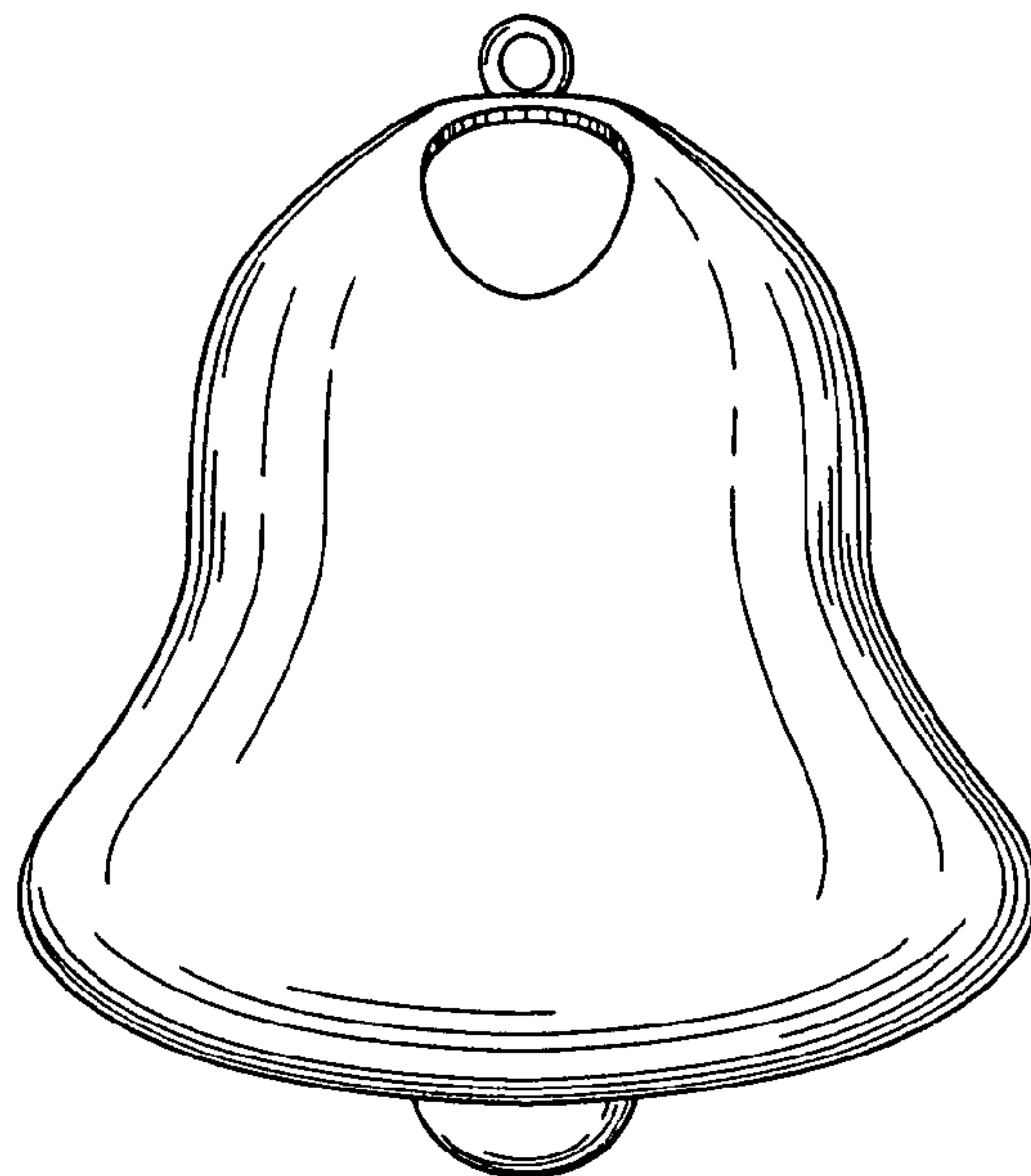
FIG. 5 is a front elevational view of a second embodiment of a Christmas tree watering ornament showing my new design, the rear elevational view being a mirror image thereof;

FIG. 6 is a left side elevational view thereof, the right side elevational view being a mirror image thereof;

FIG. 7 is a bottom plan view thereof; and,

FIG. 8 is a top plan view thereof.

1 Claim, 2 Drawing Sheets



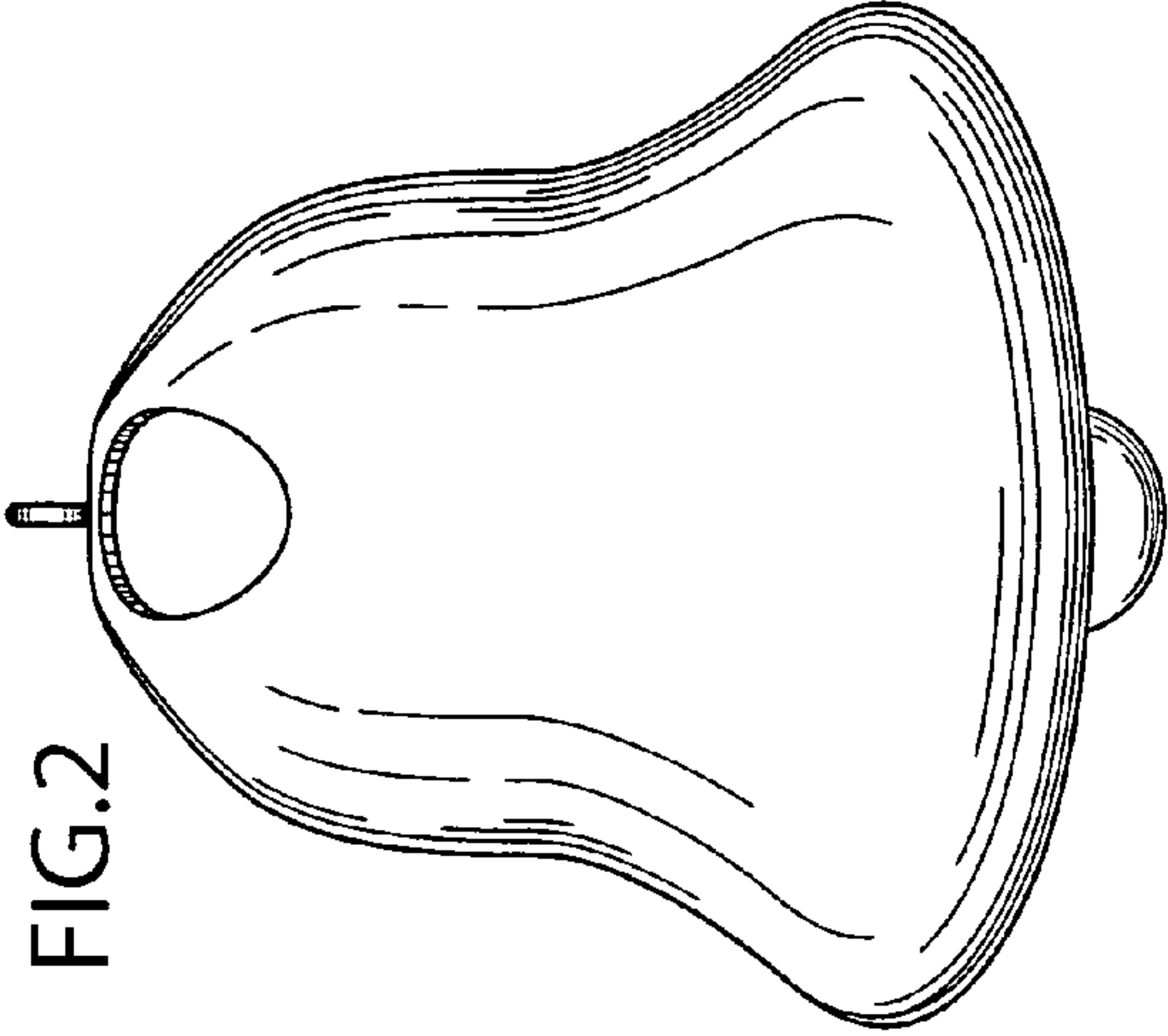


FIG. 1

FIG. 2

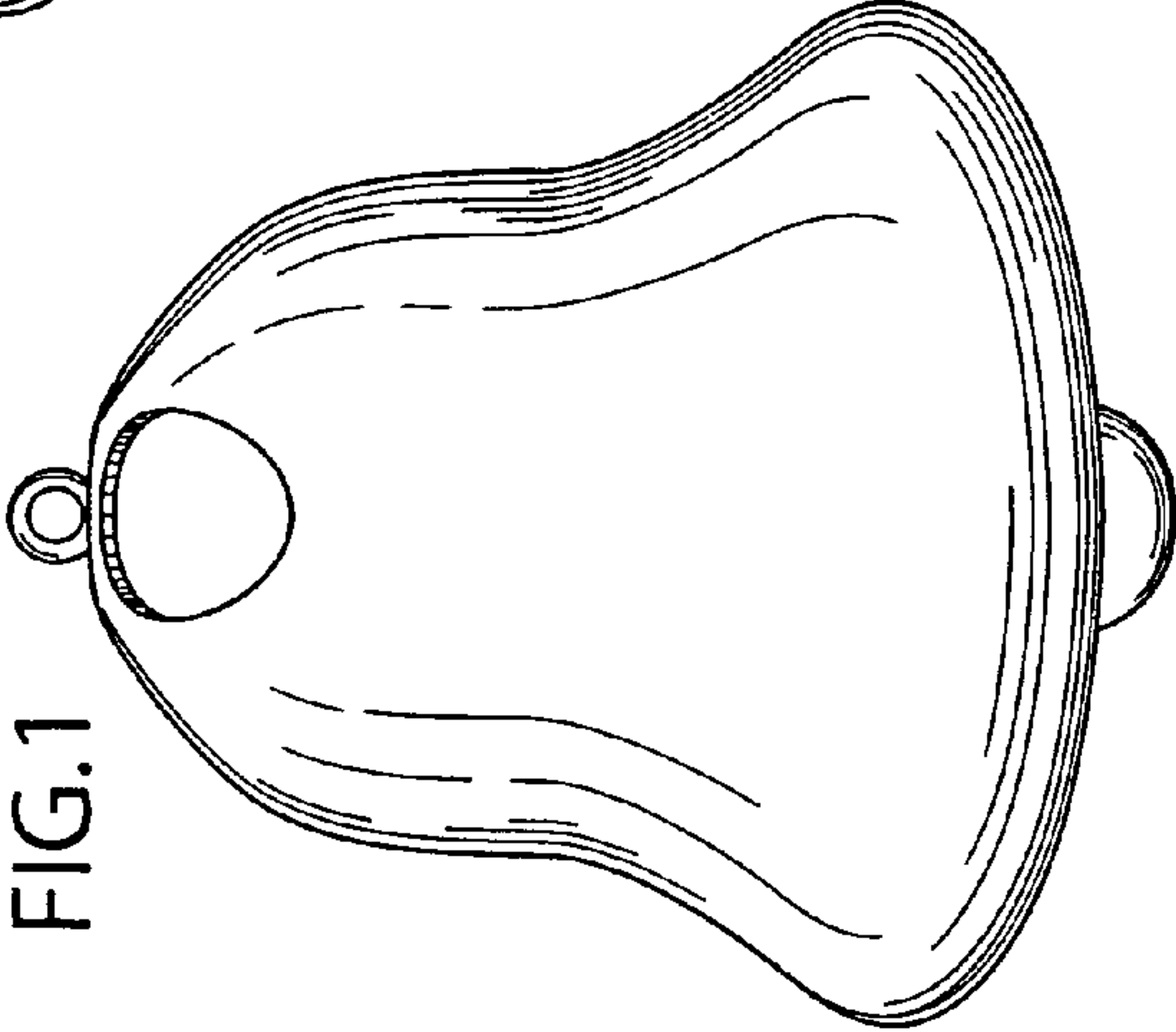


FIG. 3

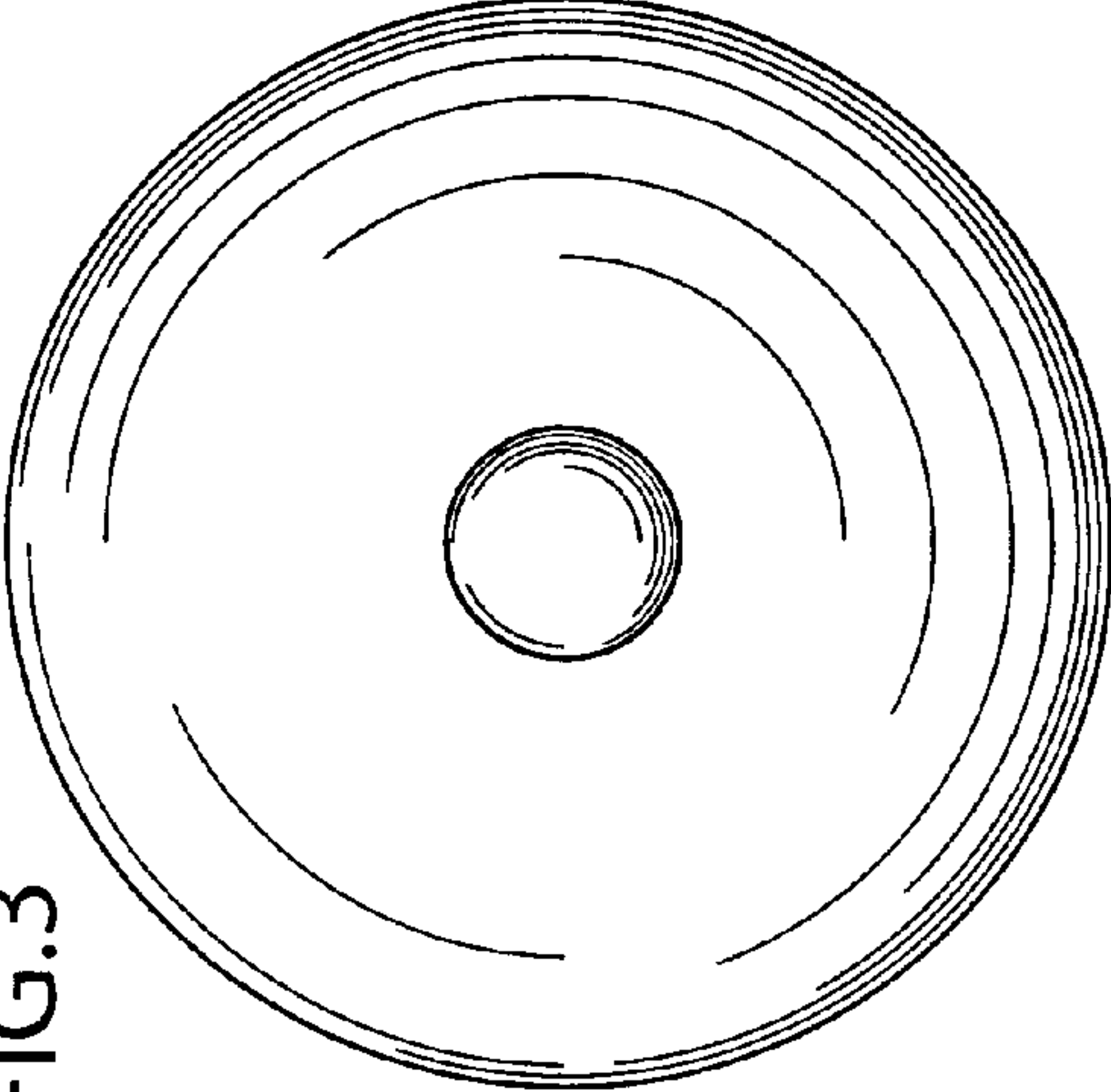
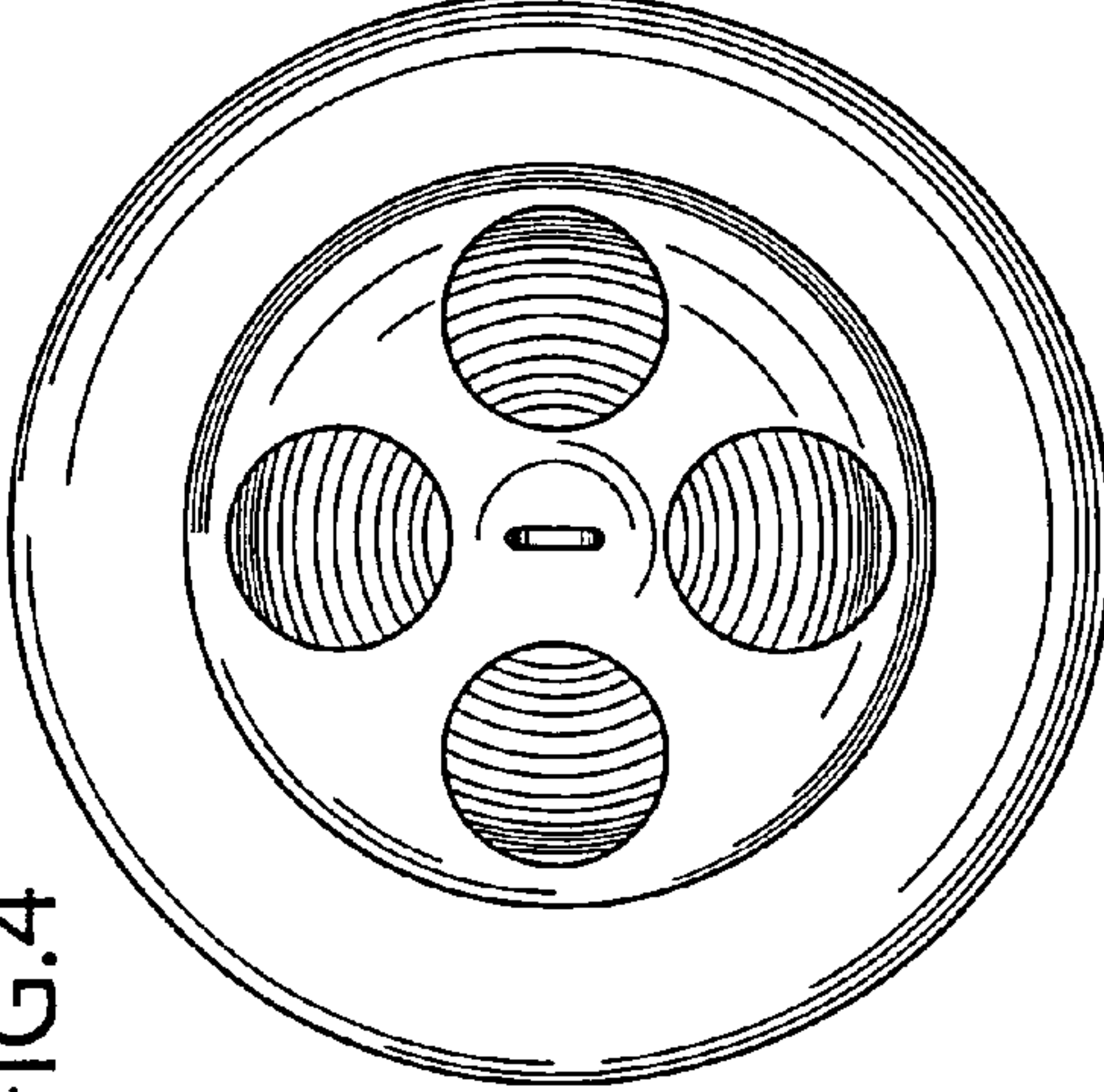


FIG. 4



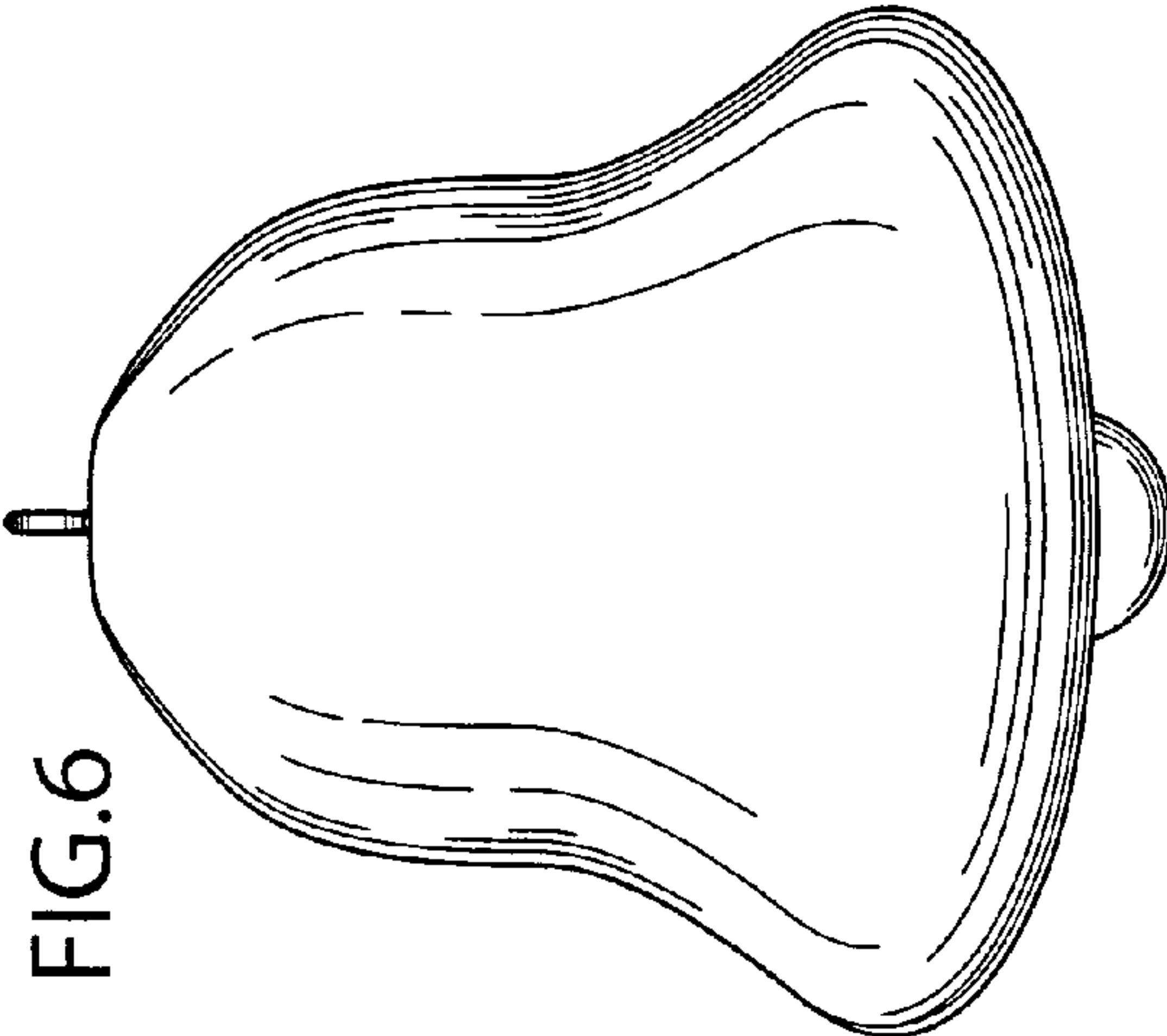


FIG. 6

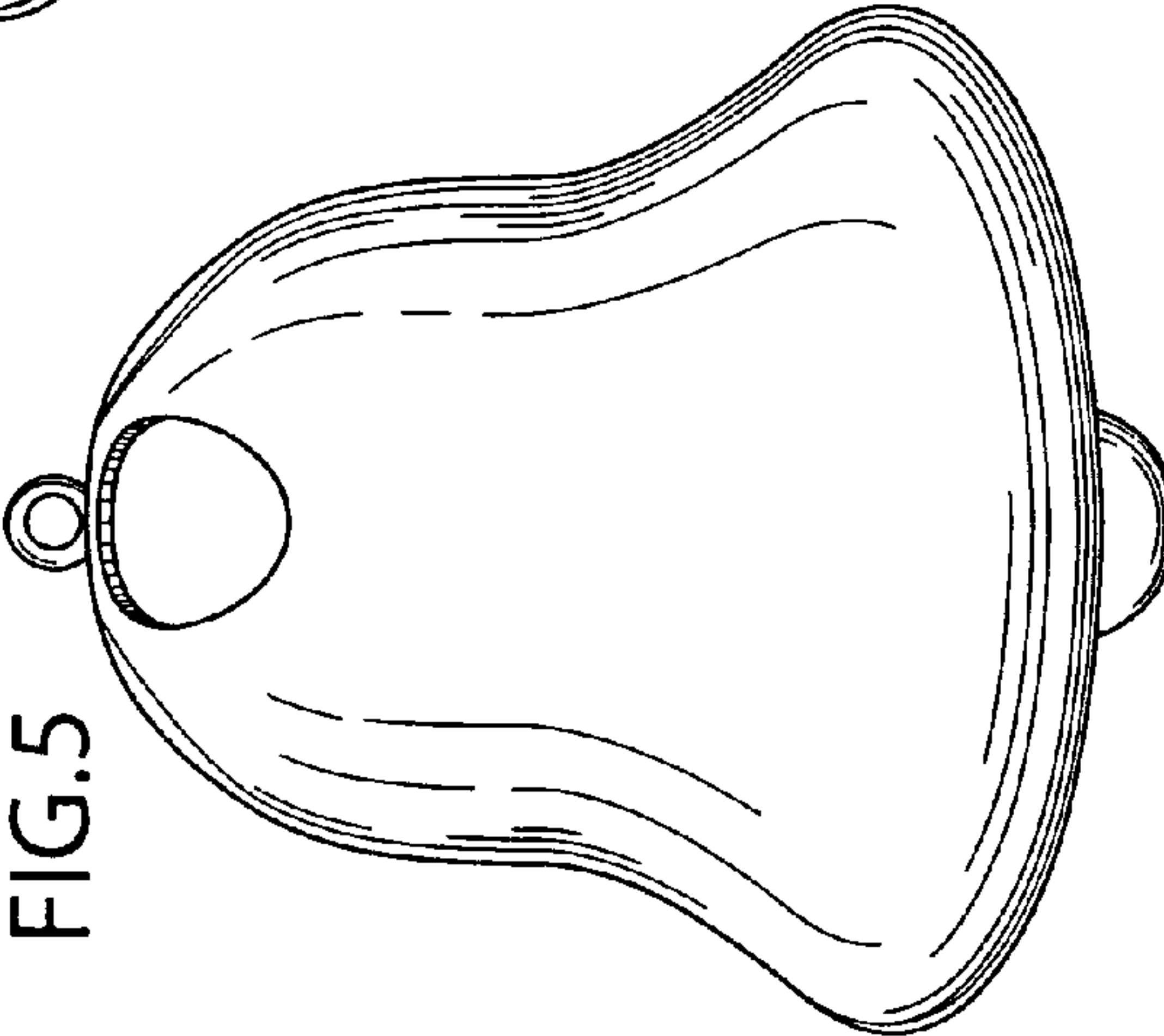


FIG. 5

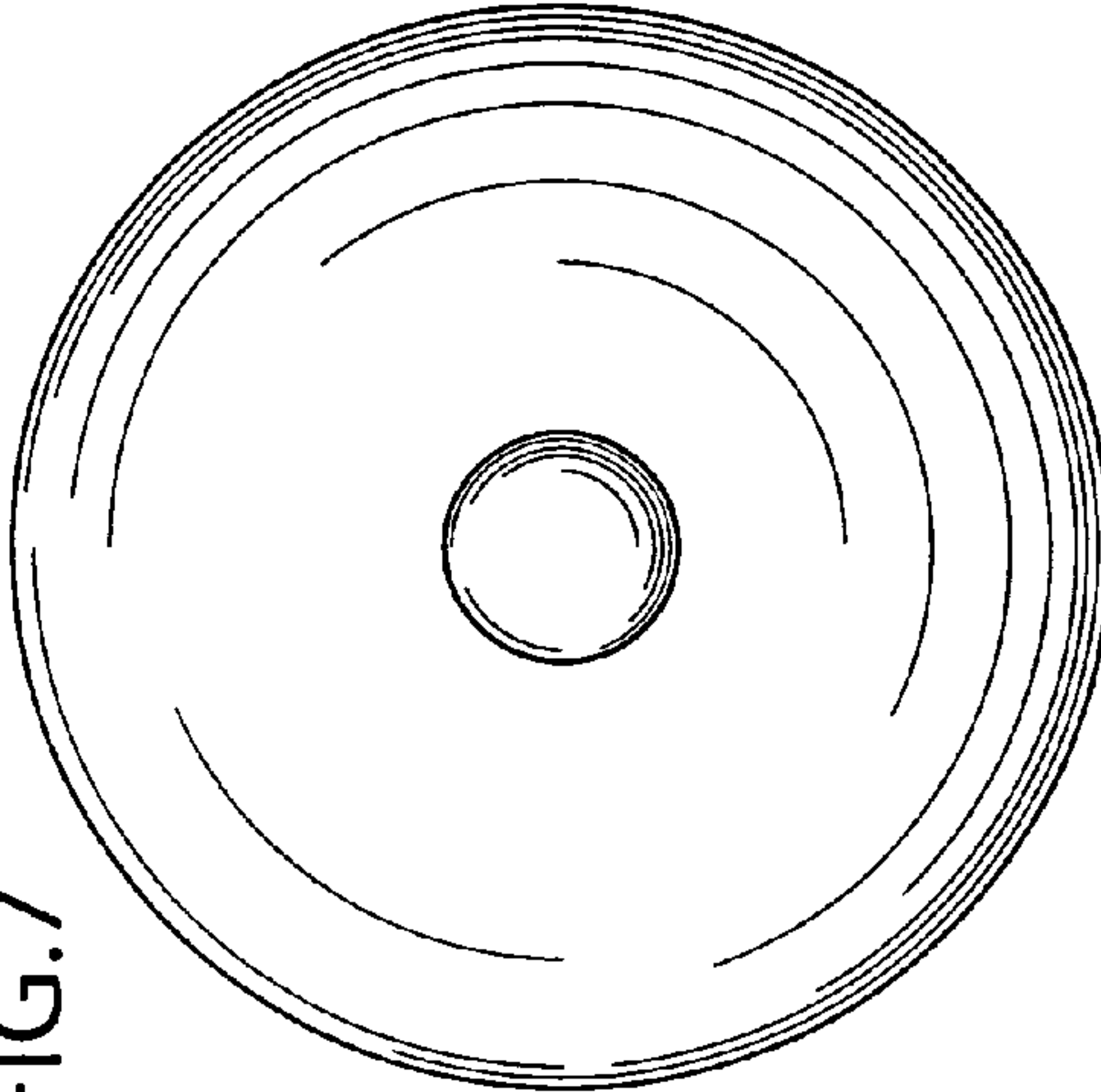


FIG. 7

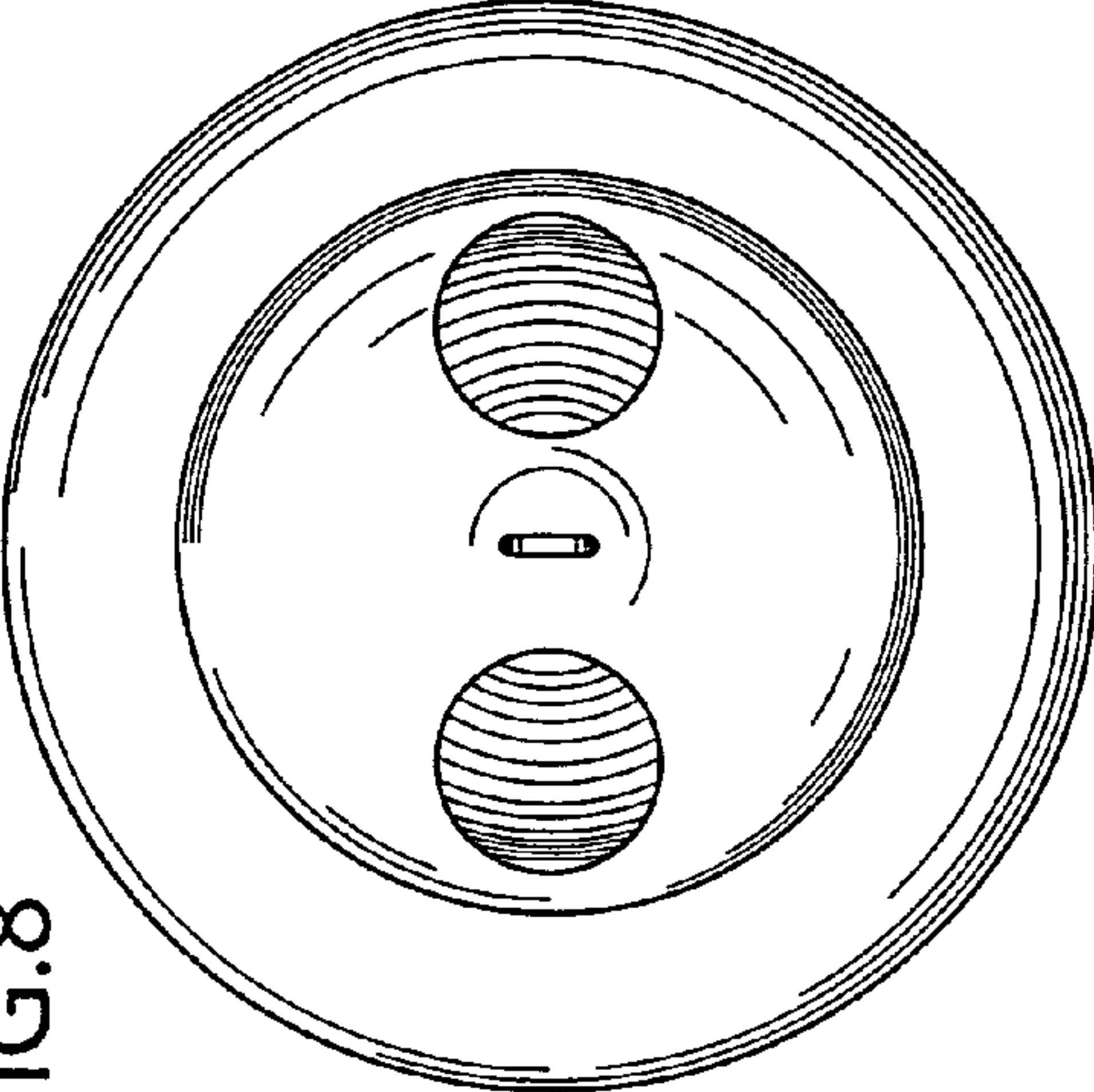


FIG. 8