

US00D592091S

(12) **United States Design Patent**  
**Hardy**

(10) **Patent No.:** **US D592,091 S**

(45) **Date of Patent:** **\*\* May 12, 2009**

(54) **CHAIN**

(75) Inventor: **Pierre Hardy**, Paris (FR)

(73) Assignee: **Hermes Sellier (Societe Par Actions Simpliffee)**, Paris (FR)

(\*\*) Term: **14 Years**

(21) Appl. No.: **29/325,006**

(22) Filed: **Sep. 24, 2008**

(30) **Foreign Application Priority Data**

Mar. 25, 2008 (WO) ..... DM/069 970

(51) **LOC (9) Cl.** ..... **11-01**

(52) **U.S. Cl.** ..... **D11/12**

(58) **Field of Classification Search** ..... D11/1-25,  
D11/93, 94; 63/3, 3.1, 3.2, 4, 5, 5.1, 5.2,  
63/6; 59/78-84

See application file for complete search history.

(56) **References Cited**

**U.S. PATENT DOCUMENTS**

D84,303 S \* 6/1931 Schwab ..... D11/13  
D149,473 S \* 5/1948 Chernow ..... D11/12  
2,650,470 A \* 9/1953 Sennholtz ..... 59/90  
D172,913 S \* 8/1954 Weinacker ..... D11/17  
3,544,092 A \* 12/1970 Boron ..... 59/78

D256,789 S \* 9/1980 Mazzini ..... D11/13  
D261,119 S \* 10/1981 Barr ..... D11/7  
D313,571 S \* 1/1991 Brom ..... D11/86  
D333,800 S \* 3/1993 Akdemir ..... D11/12  
6,256,974 B1 \* 7/2001 Shanks, Sr. .... 59/85  
D483,286 S \* 12/2003 Hardy ..... D11/3  
D493,118 S \* 7/2004 Neri ..... D11/13  
D558,634 S \* 1/2008 Hardy ..... D11/13

\* cited by examiner

*Primary Examiner*—Cathron C Brooks

*Assistant Examiner*—Melanie Levy

(74) *Attorney, Agent, or Firm*—Foley & Lardner LLP

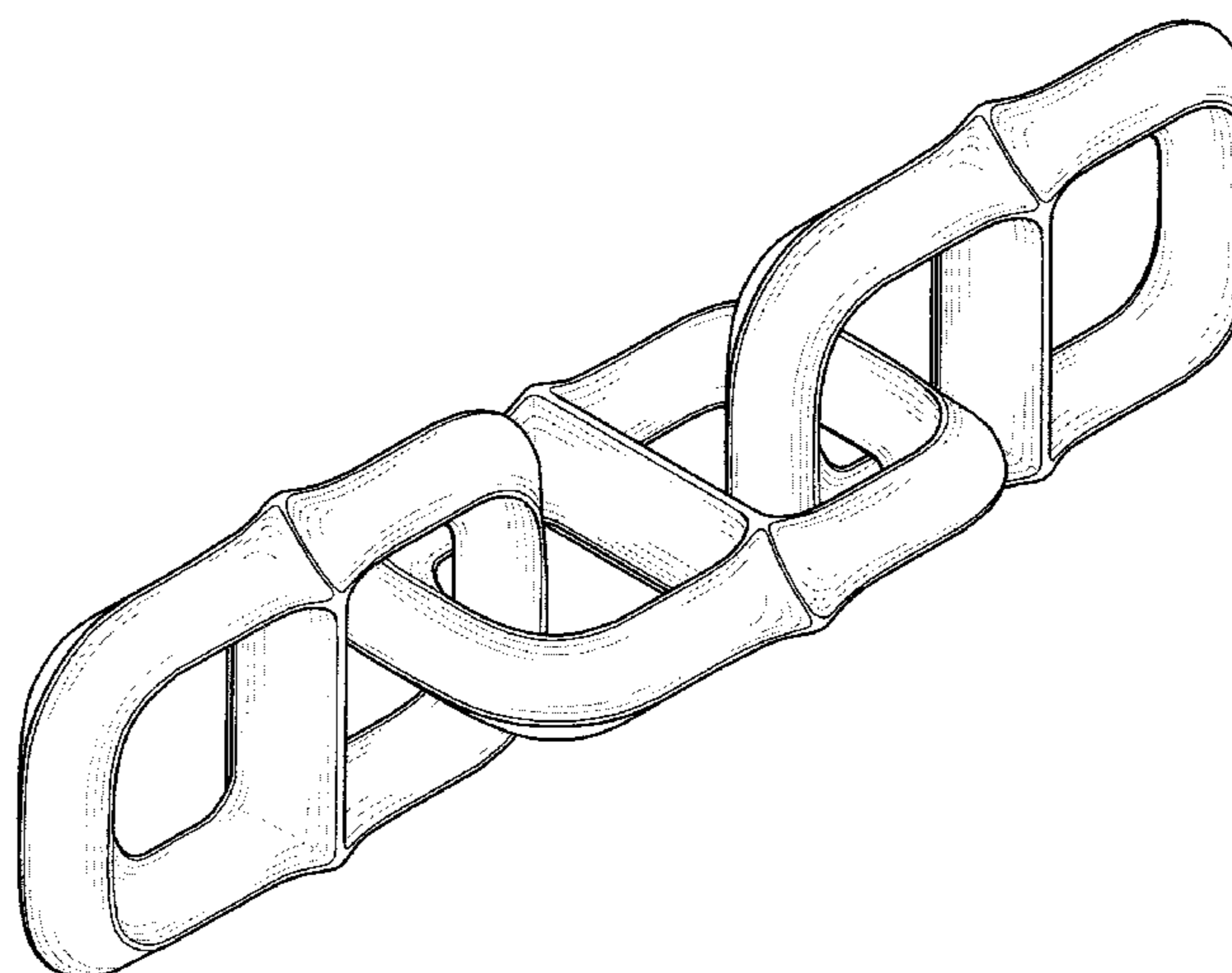
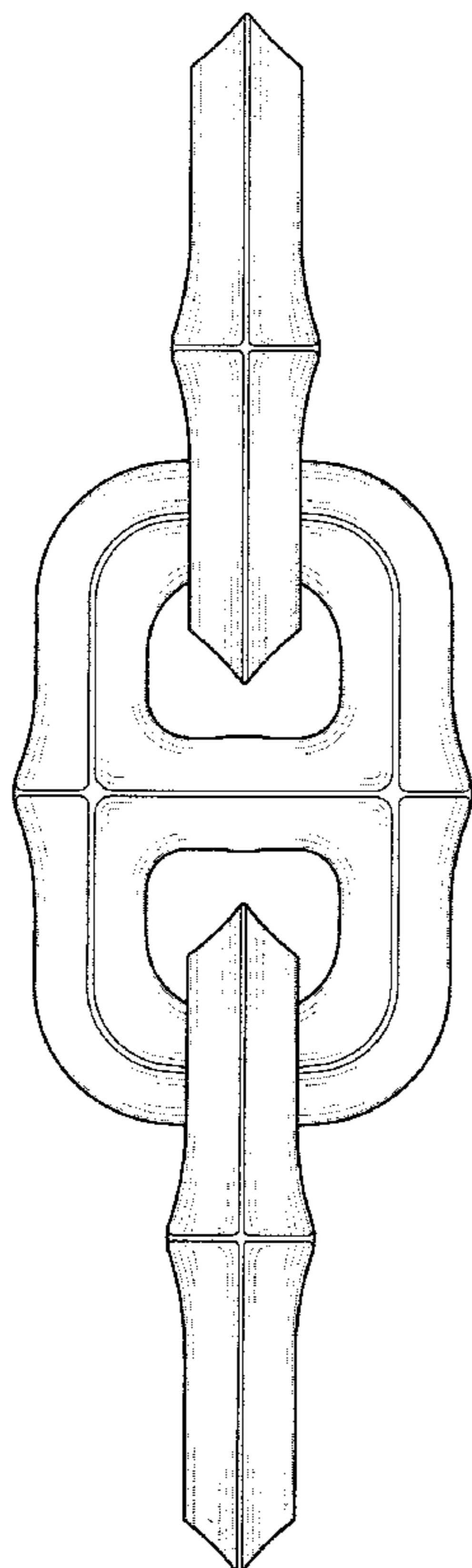
(57) **CLAIM**

The ornamental design for a chain, as shown and described.

**DESCRIPTION**

FIG. 1 is a front view of a chain according to my new design;  
FIG. 2 is a back view of the chain shown in FIG. 1;  
FIG. 3 is a bottom view of the chain shown in FIG. 1;  
FIG. 4 is a top view of the chain shown in FIG. 1;  
FIG. 5 is a left side view of the chain shown in FIG. 1;  
FIG. 6 is a right side view of the chain shown in FIG. 1; and,  
FIG. 7 is a top frontal perspective view of the chain shown in FIG. 1.

**1 Claim, 7 Drawing Sheets**



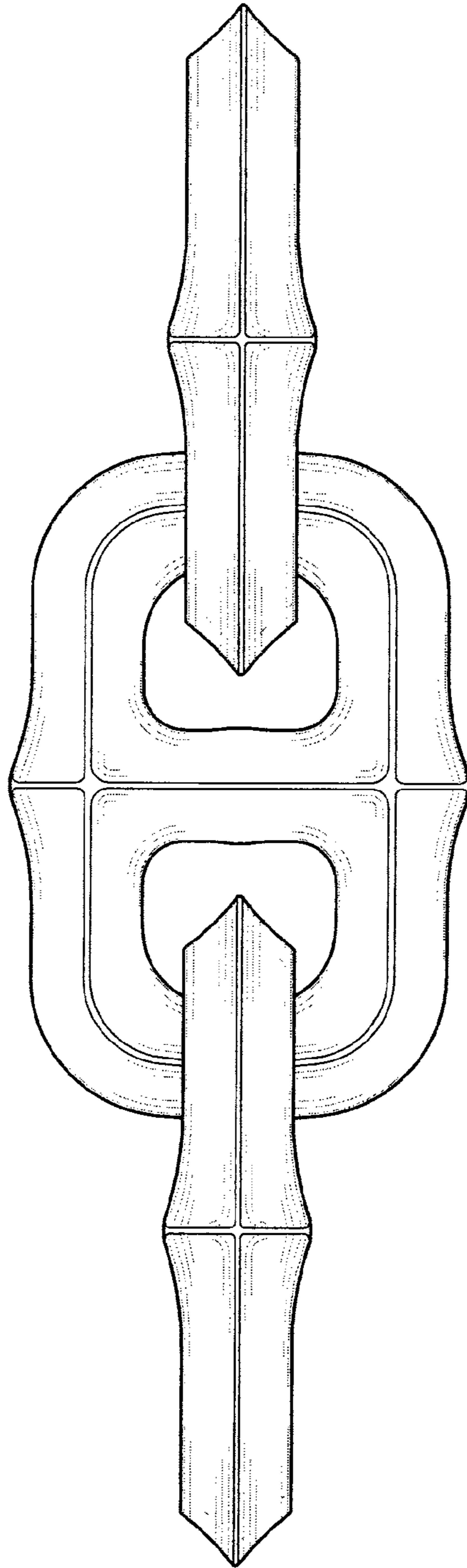


Fig. 1

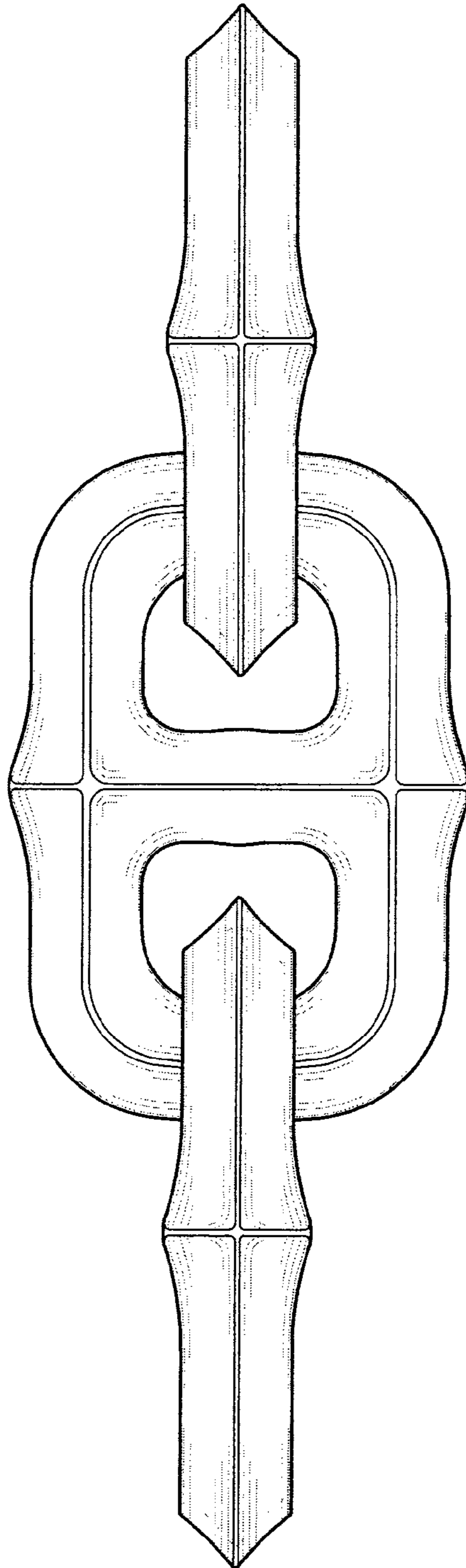


Fig. 2

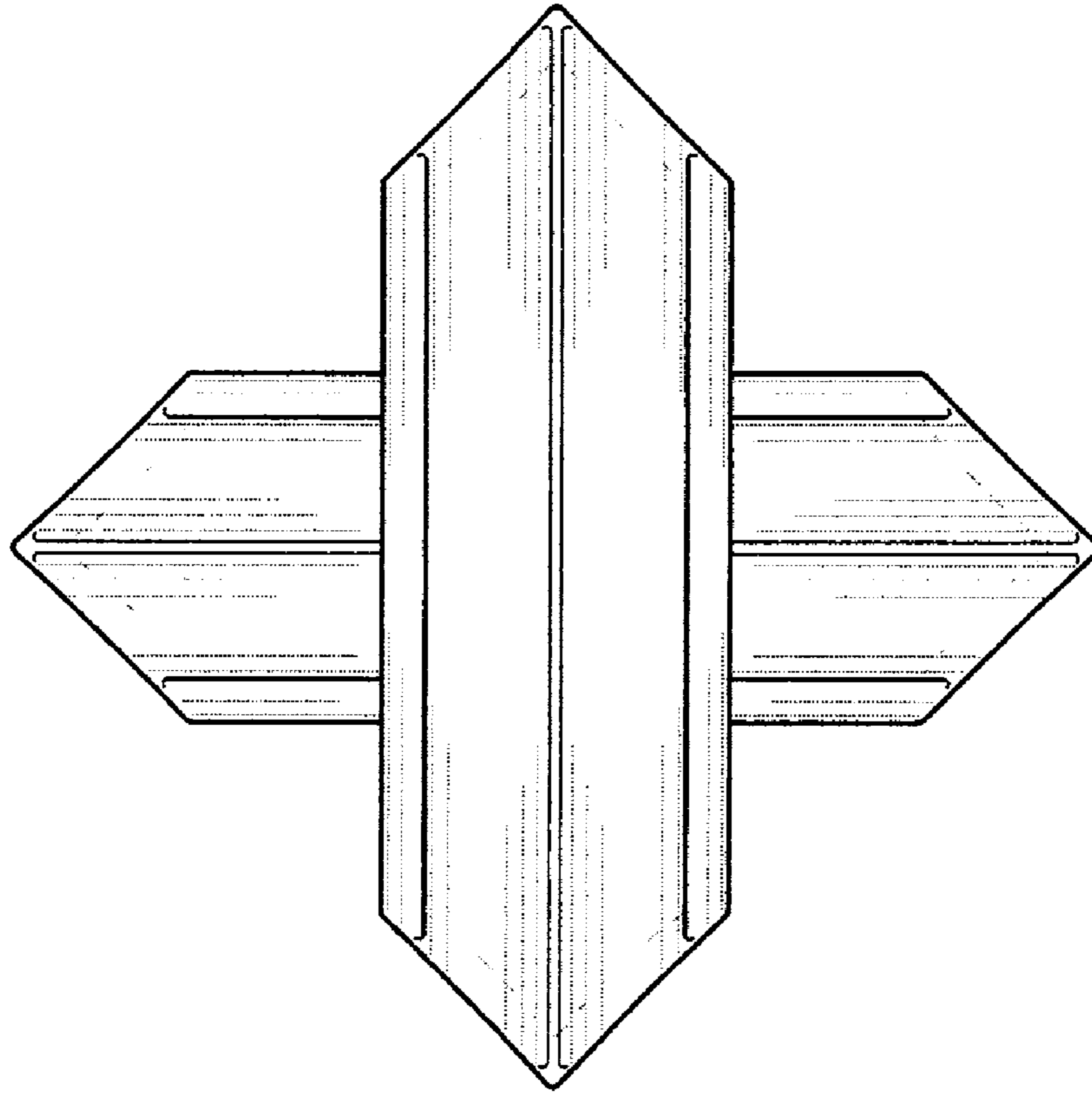


Fig. 3

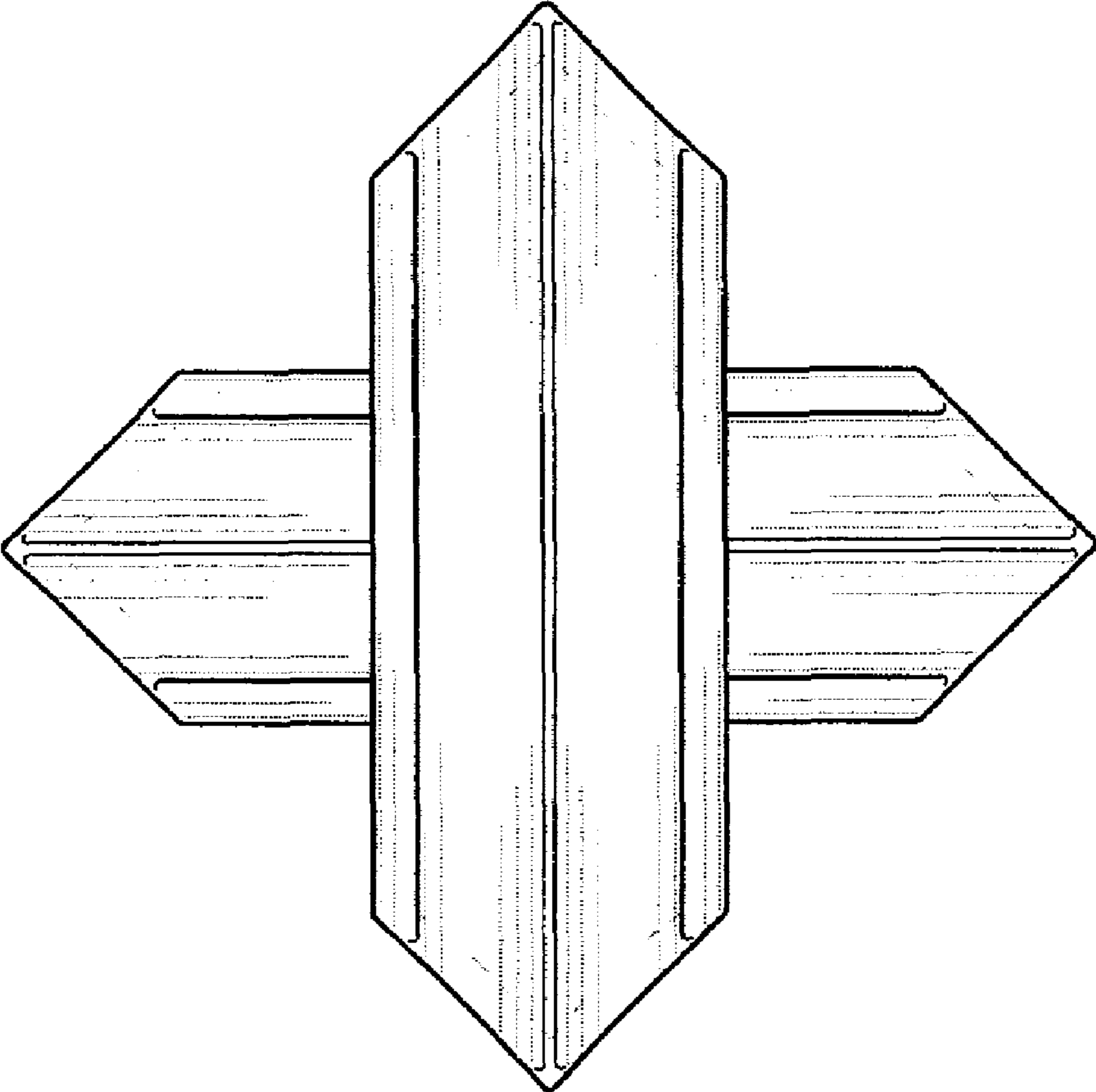


Fig. 4

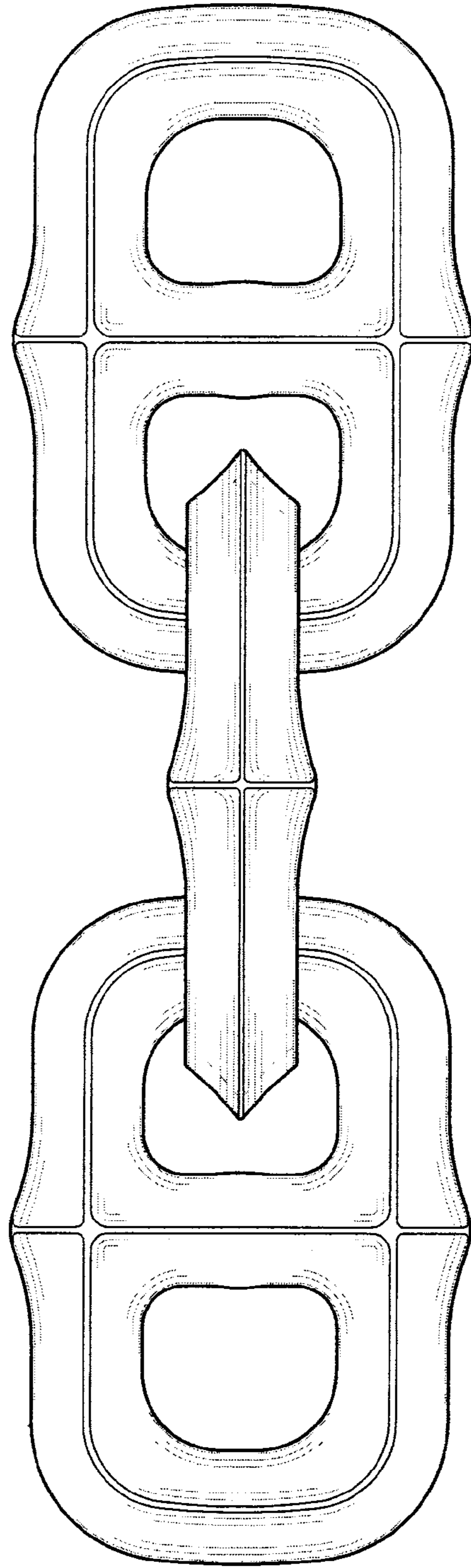


Fig. 5

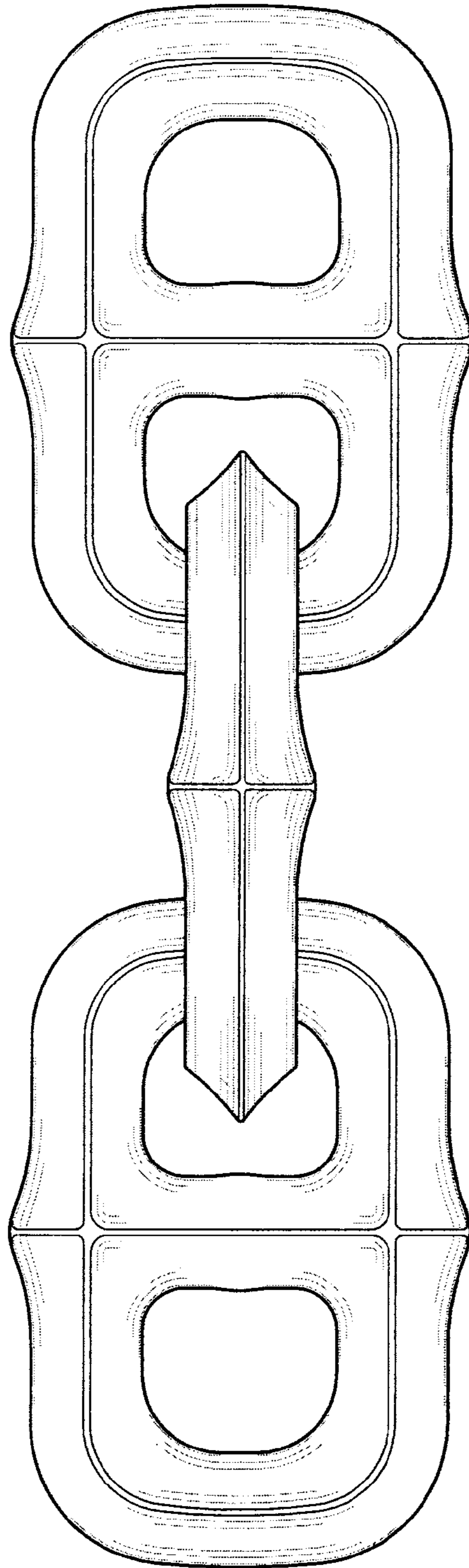


Fig. 6

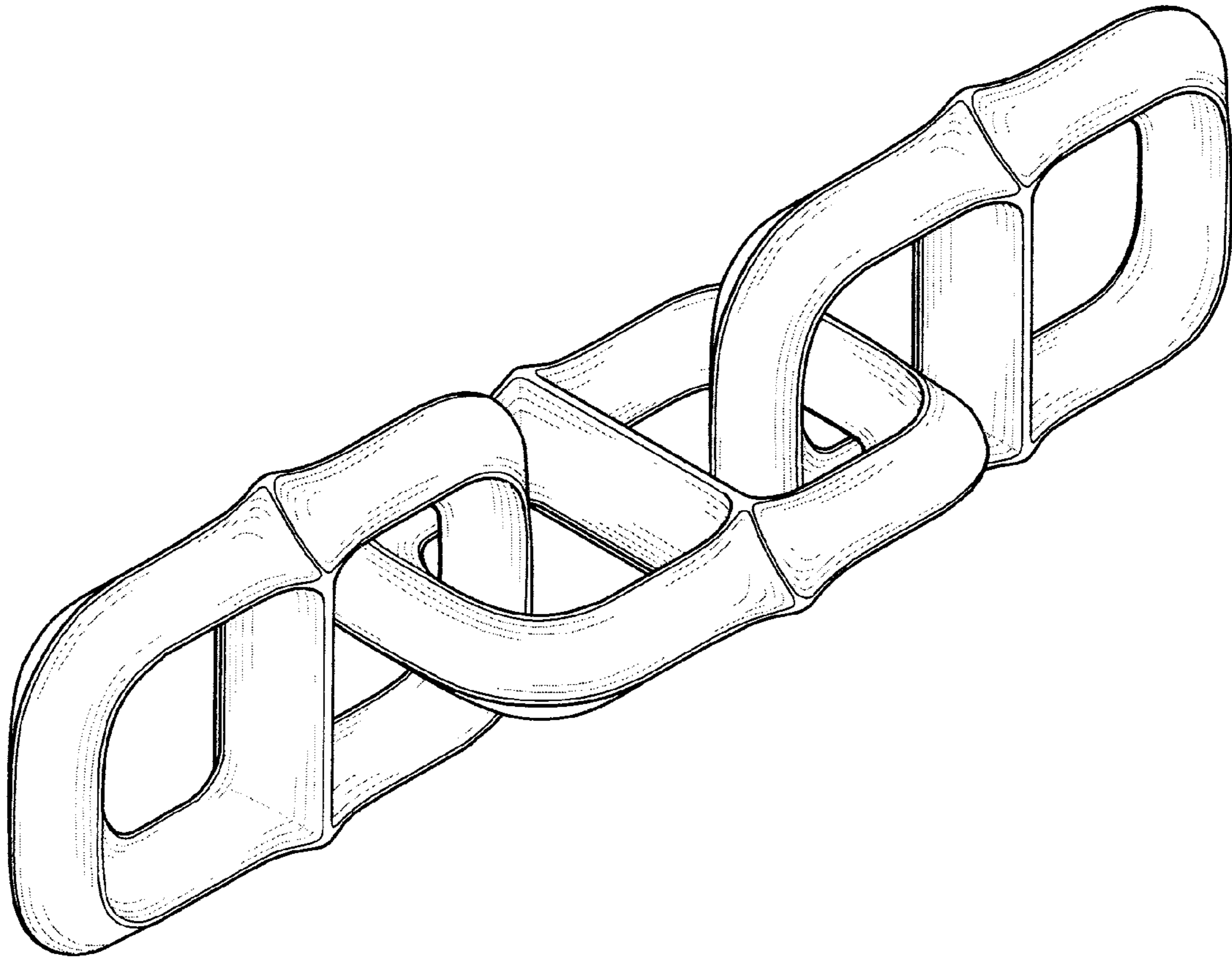


Fig. 7