



US00D592088S

(12) **United States Design Patent**
Miller

(10) **Patent No.:** **US D592,088 S**

(45) **Date of Patent:** **** May 12, 2009**

(54) **LIGHT EMITTING DIODE (LED) WARNING LIGHT**

(75) Inventor: **Roger L. Miller**, Crestwood, KY (US)

(73) Assignee: **Code 3, Inc.**, St. Louis, MO (US)

(**) Term: **14 Years**

(21) Appl. No.: **29/326,155**

(22) Filed: **Oct. 13, 2008**

(51) **LOC (9) Cl.** **10-05**

(52) **U.S. Cl.** **D10/114**

(58) **Field of Classification Search** D10/109,
D10/111, 114; 362/311; D13/180

See application file for complete search history.

(56) **References Cited**

U.S. PATENT DOCUMENTS

3,731,082	A *	5/1973	Blaylock	362/263
3,757,108	A *	9/1973	Burland	362/257
D245,447	S *	8/1977	Brudy et al.	D10/121
D261,048	S *	9/1981	Price	D26/24
D267,156	S *	12/1982	Phelps	D10/114
5,929,788	A *	7/1999	Vukosic	340/908.1
D513,477	S *	1/2006	Heftman	D10/111
6,991,351	B1 *	1/2006	Petrick	362/373
D544,805	S *	6/2007	Corrigan et al.	D10/111
2002/0080023	A1 *	6/2002	DeMarco et al.	340/463
2004/0208014	A1 *	10/2004	Huang	362/493
2005/0110649	A1 *	5/2005	Fredericks et al.	340/815.45
2005/0281039	A1 *	12/2005	Yeh	362/396
2006/0132323	A1 *	6/2006	Grady	340/815.45

2007/0189013 A1* 8/2007 Ford 362/311

OTHER PUBLICATIONS

Sales Brochure regarding Hide-A-LED x1100 Undercover Warning Signal, www.HideALED.com.

Nova N500 Hide-A-LED Undercover Warning Signal at www.swps.com.

* cited by examiner

Primary Examiner—Caron Veynar

Assistant Examiner—George D Kirschbaum

(74) *Attorney, Agent, or Firm*—Senniger Powers LLP

(57) **CLAIM**

The ornamental design for a light emitting diode (LED) warning light, as shown and described.

DESCRIPTION

FIG. 1 is a perspective view of a light emitting diode (LED) warning light showing our new design;

FIG. 2 is a perspective view of the light only of FIG. 1.

FIG. 3 is a front elevation view of the light only of FIG. 1.

FIG. 4 is a right side elevation view of the light only of FIG. 1.

FIG. 5 is a left side elevation view of the light only of FIG. 1.

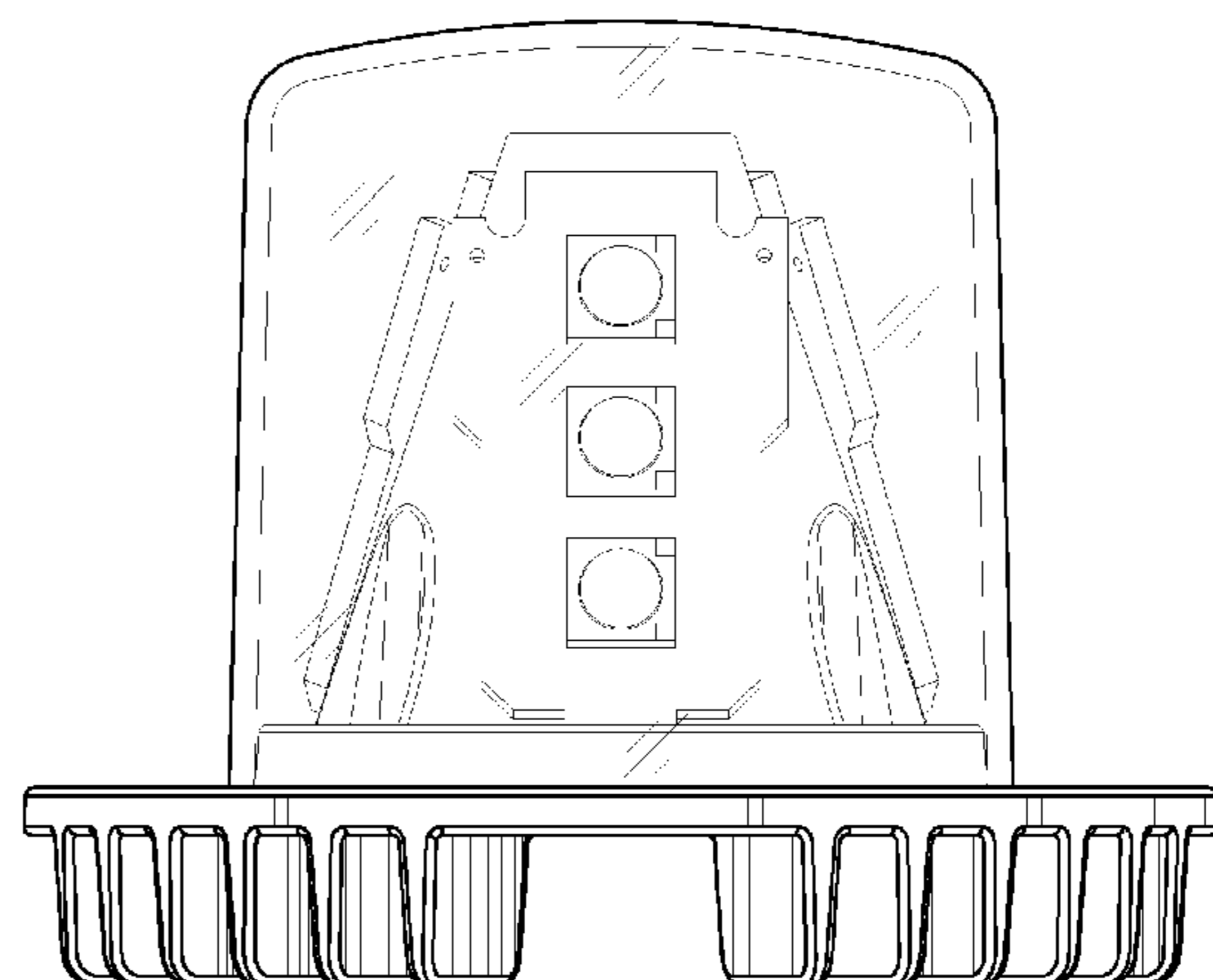
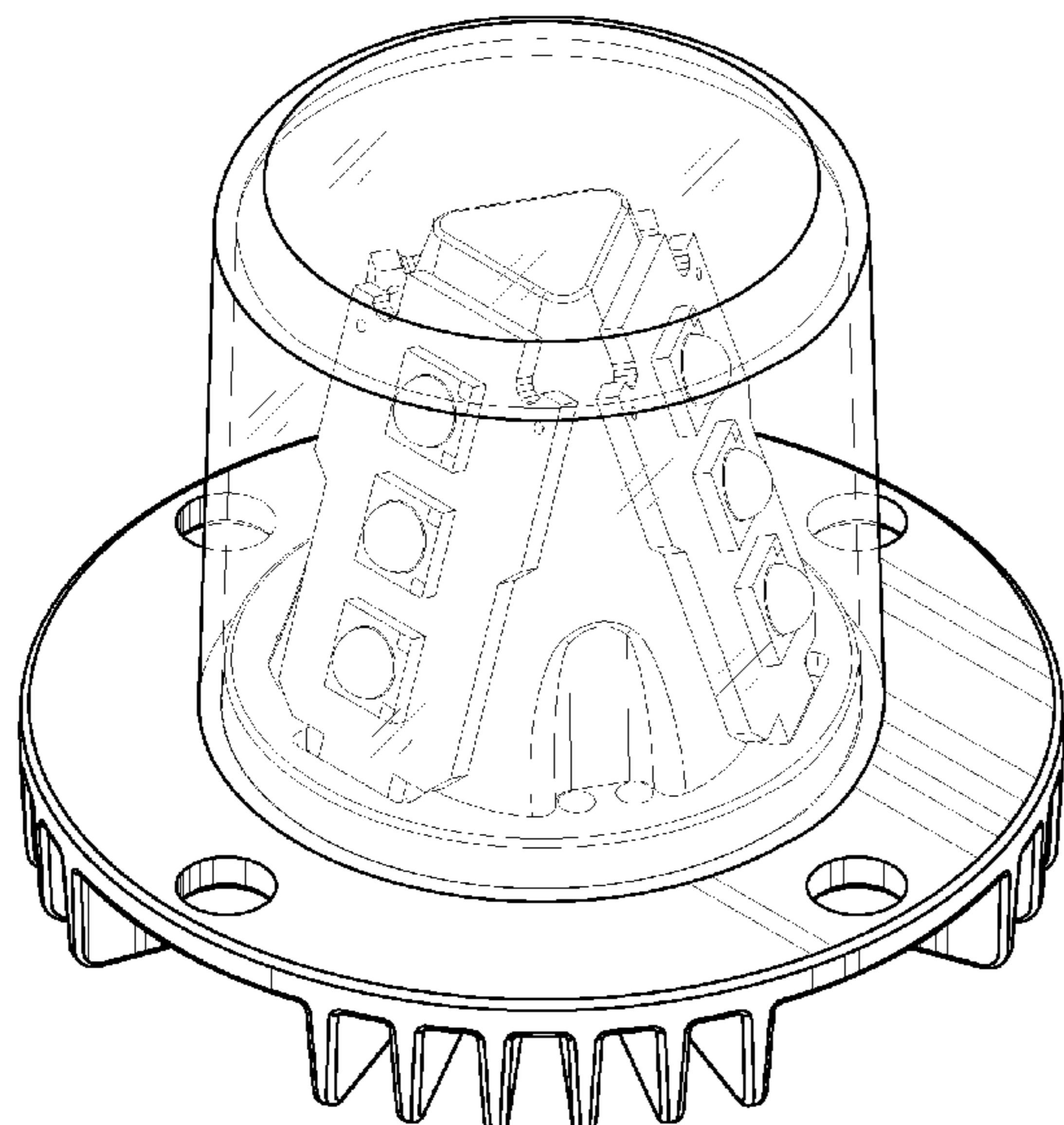
FIG. 6 is a rear elevation view of the light only of FIG. 1.

FIG. 7 is a top plan view of the light only of FIG. 1; and,

FIG. 8 is a bottom plan view of the light only of FIG. 1.

In the drawings, the broken line showing of a power cord depicts environmental subject matter and forms no part of the claim.

1 Claim, 8 Drawing Sheets



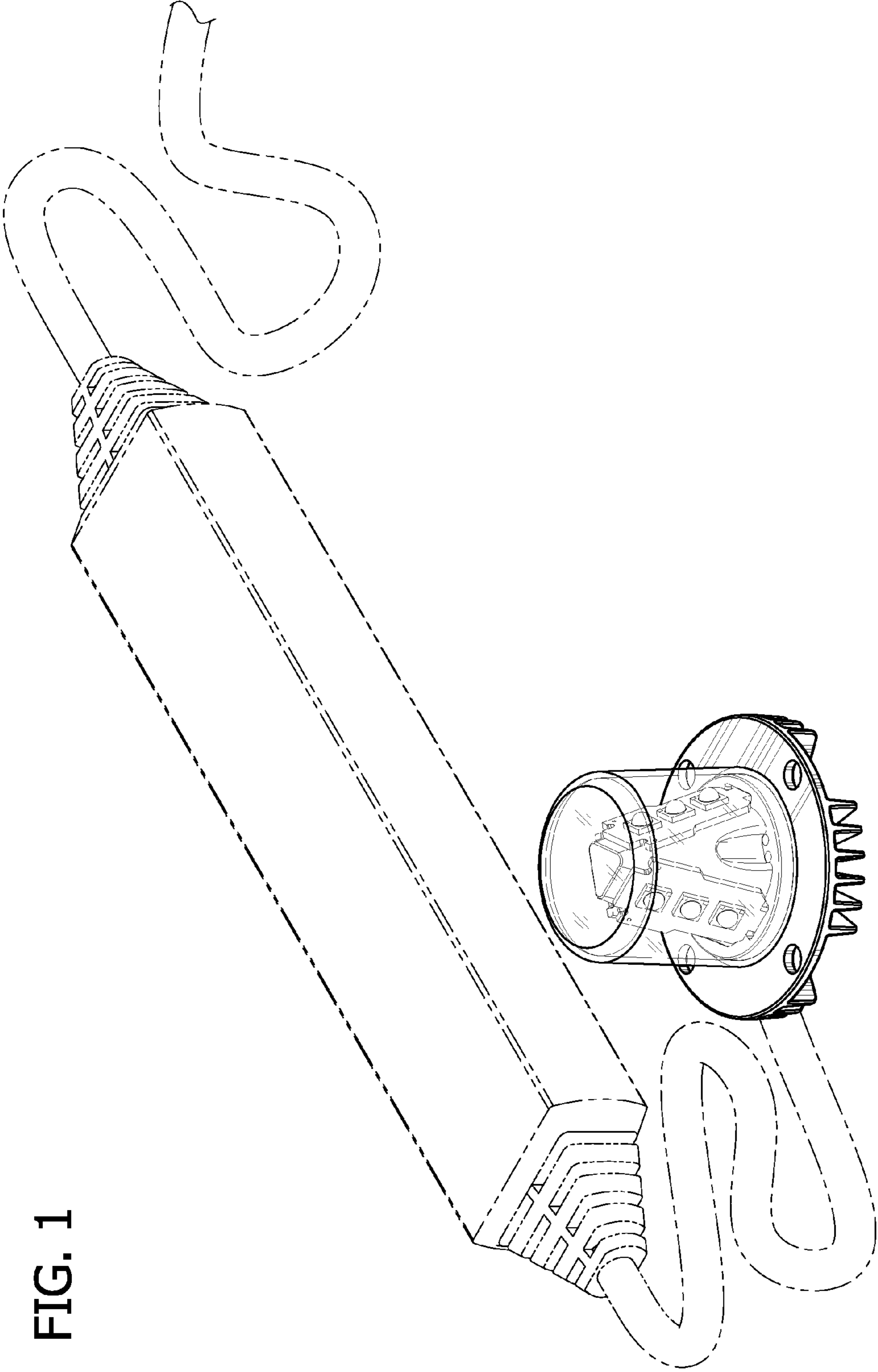


FIG. 1

FIG. 2

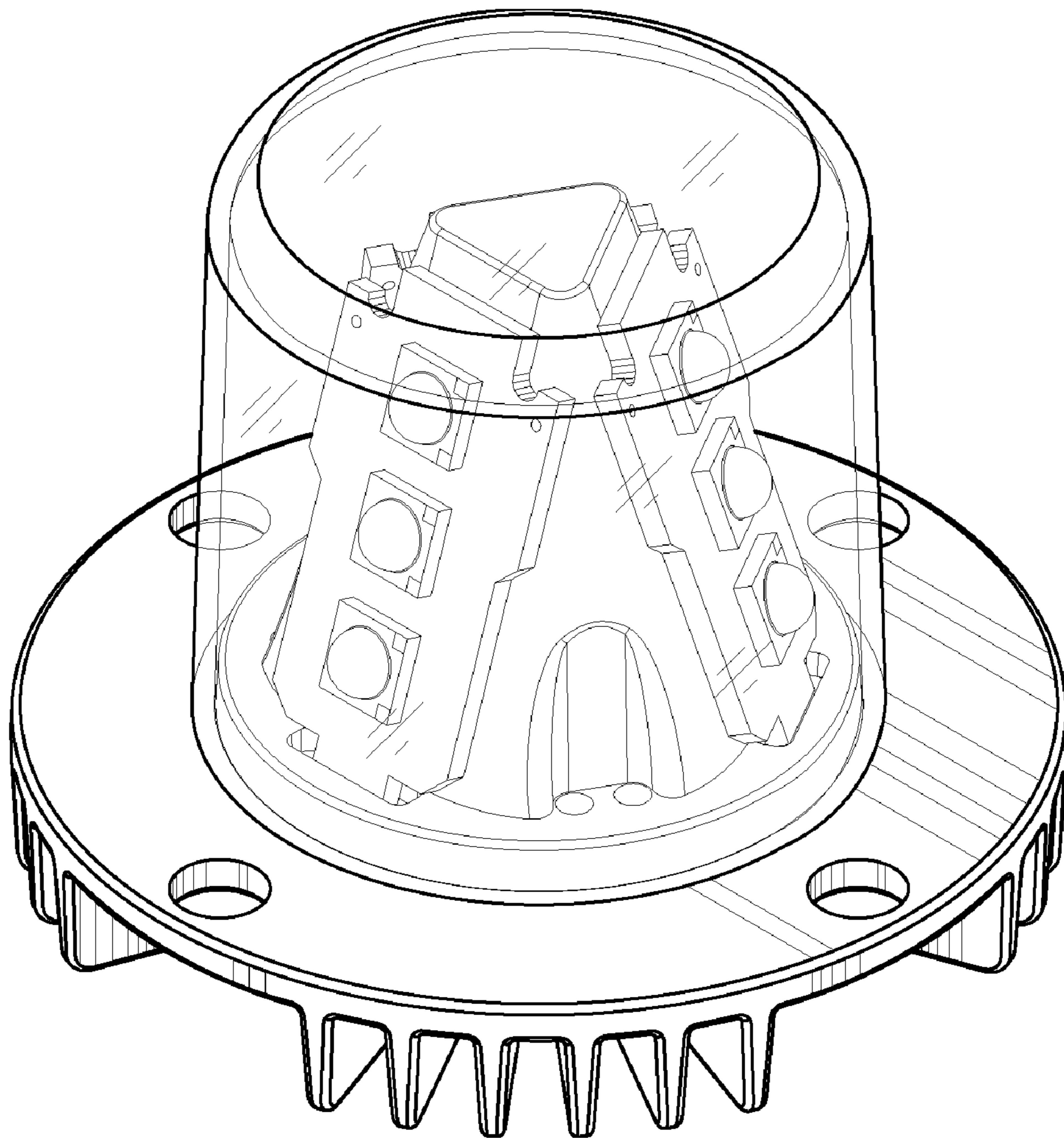


FIG. 3

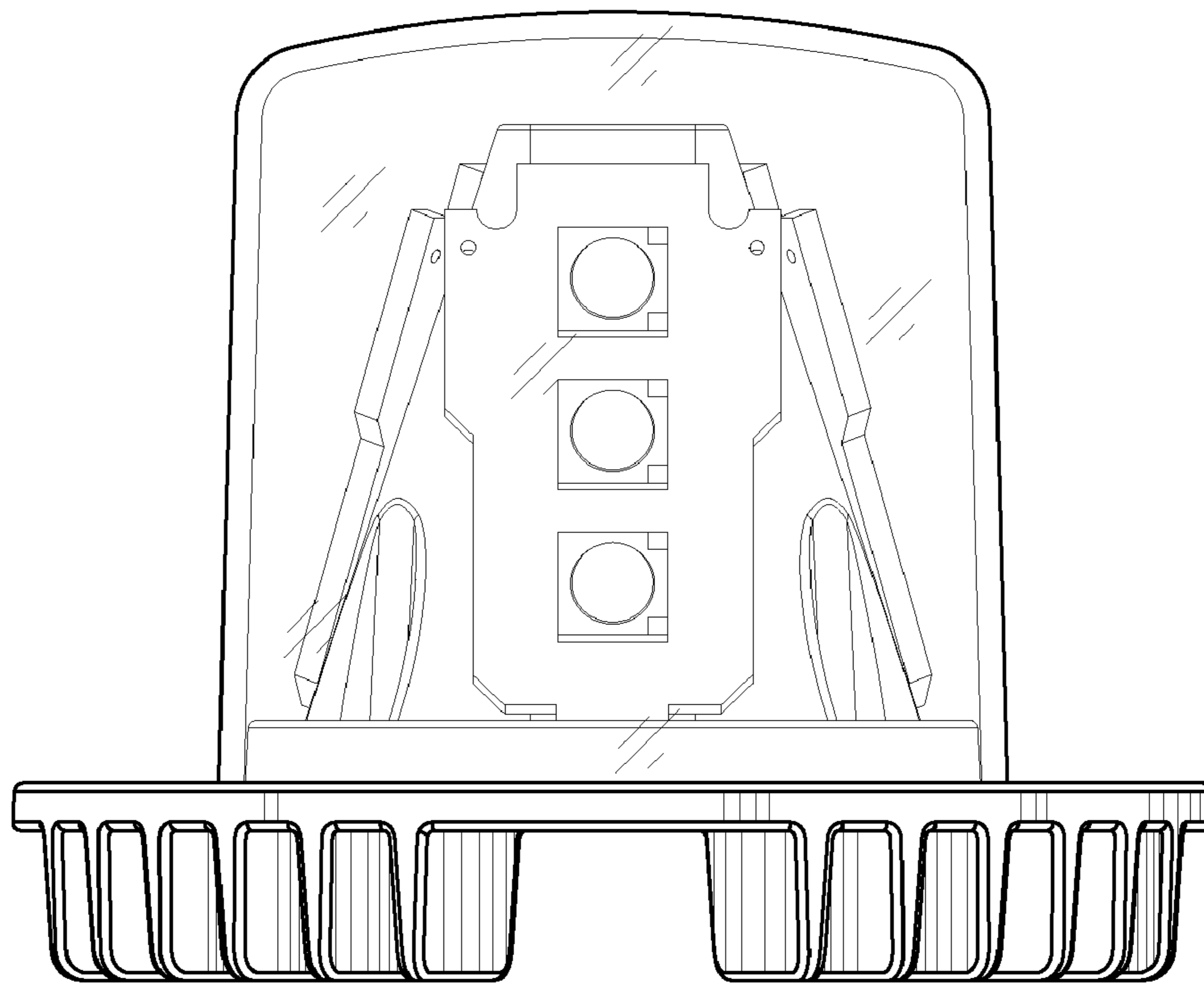


FIG. 4

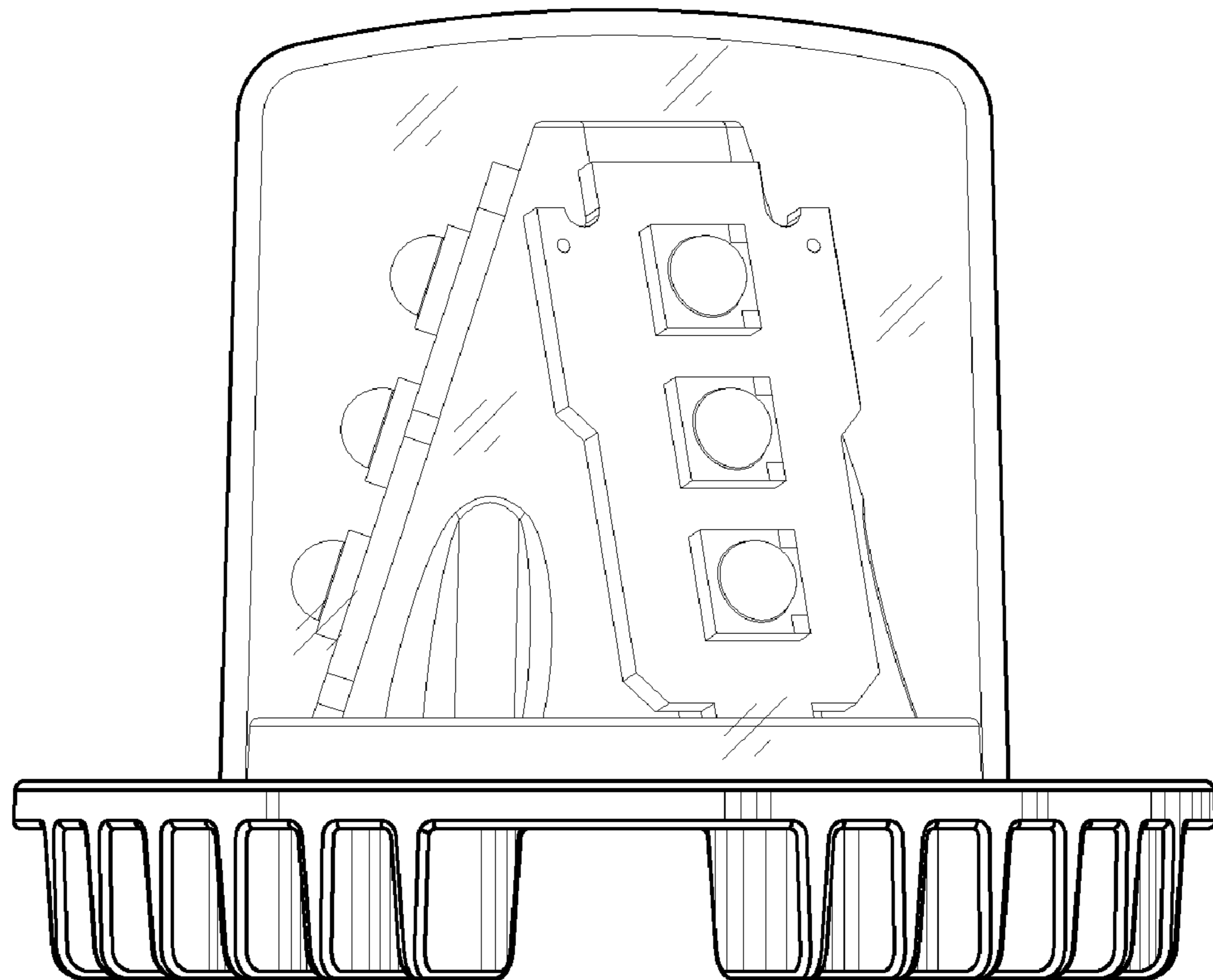


FIG. 5

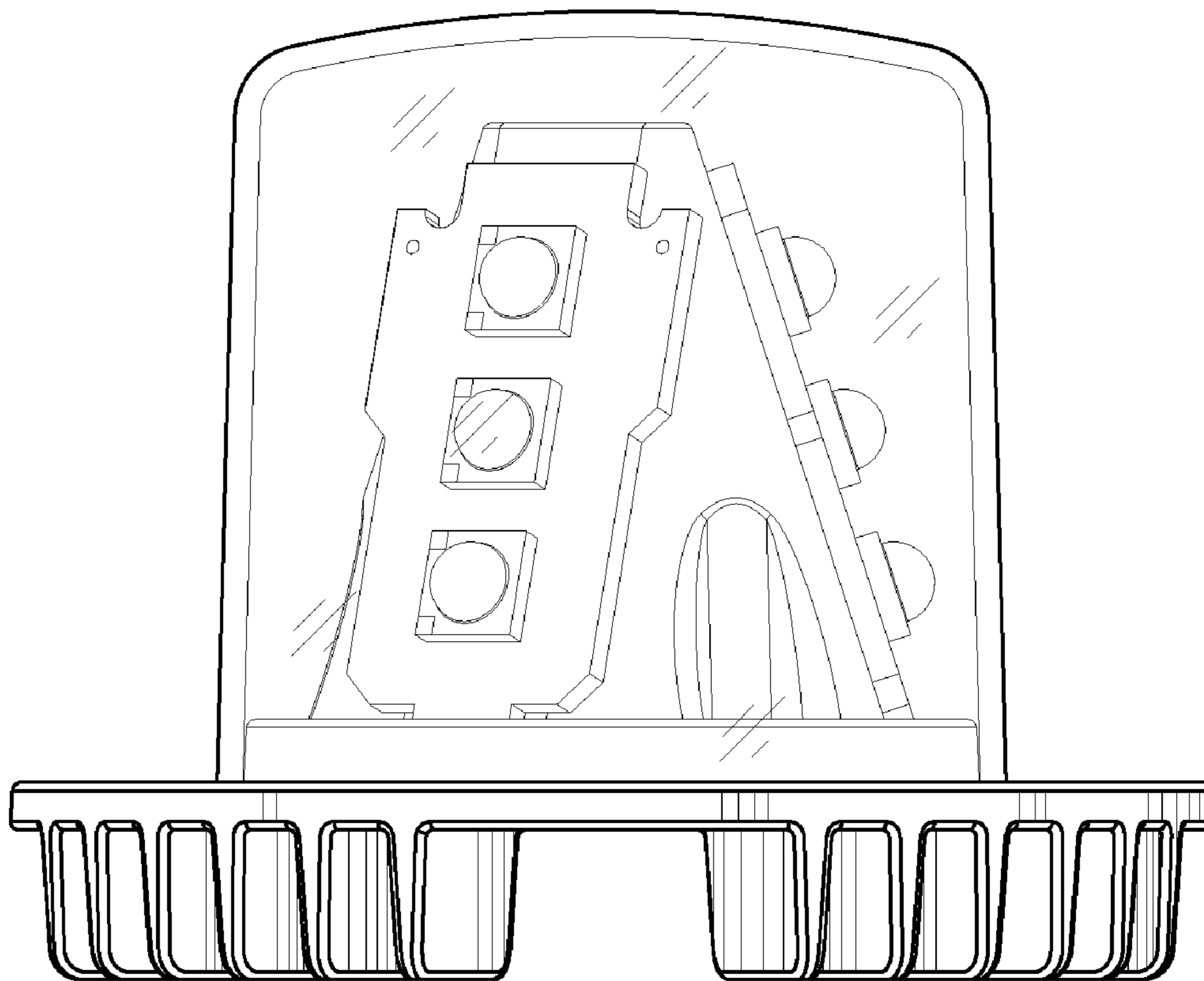


FIG. 6

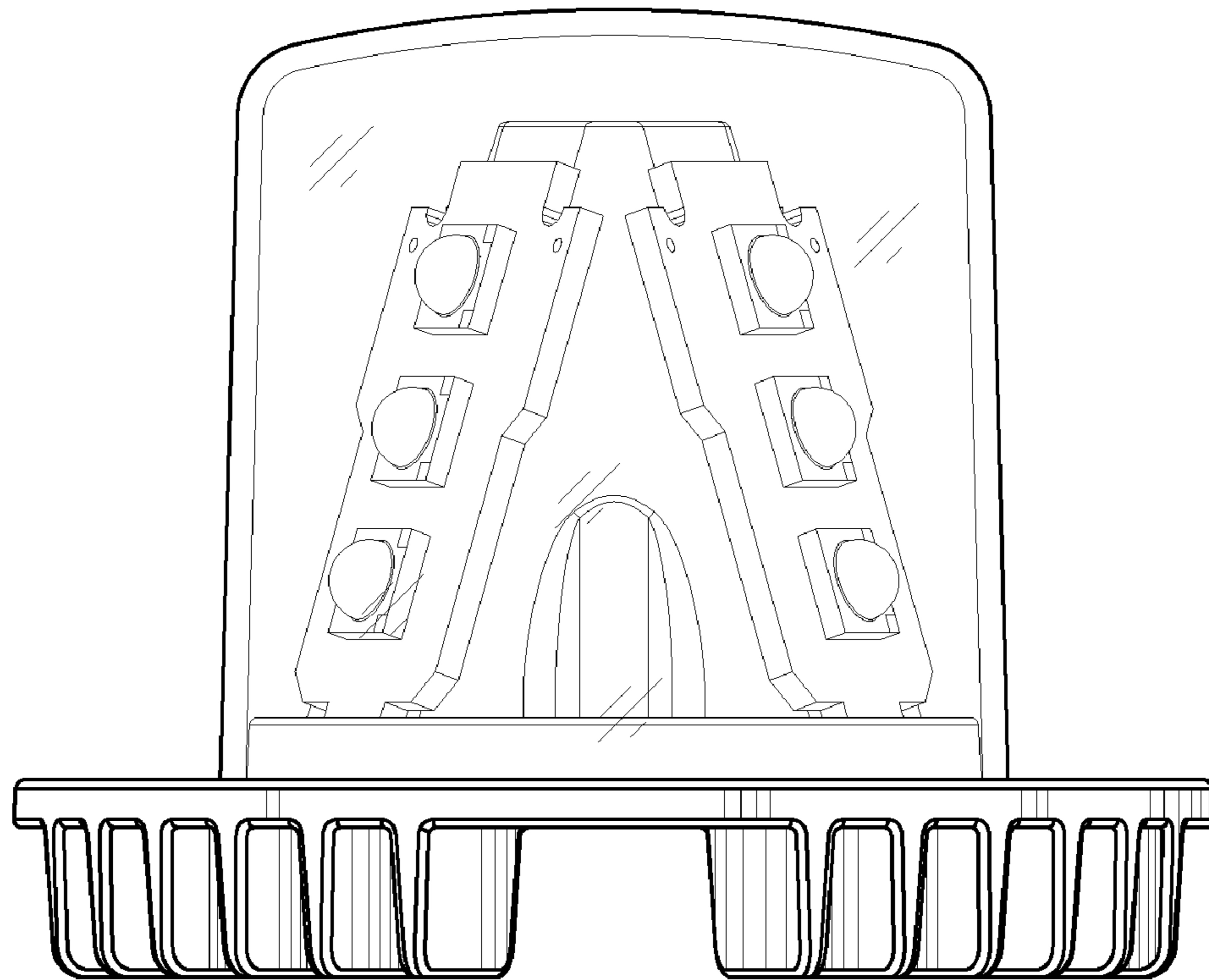


FIG. 7

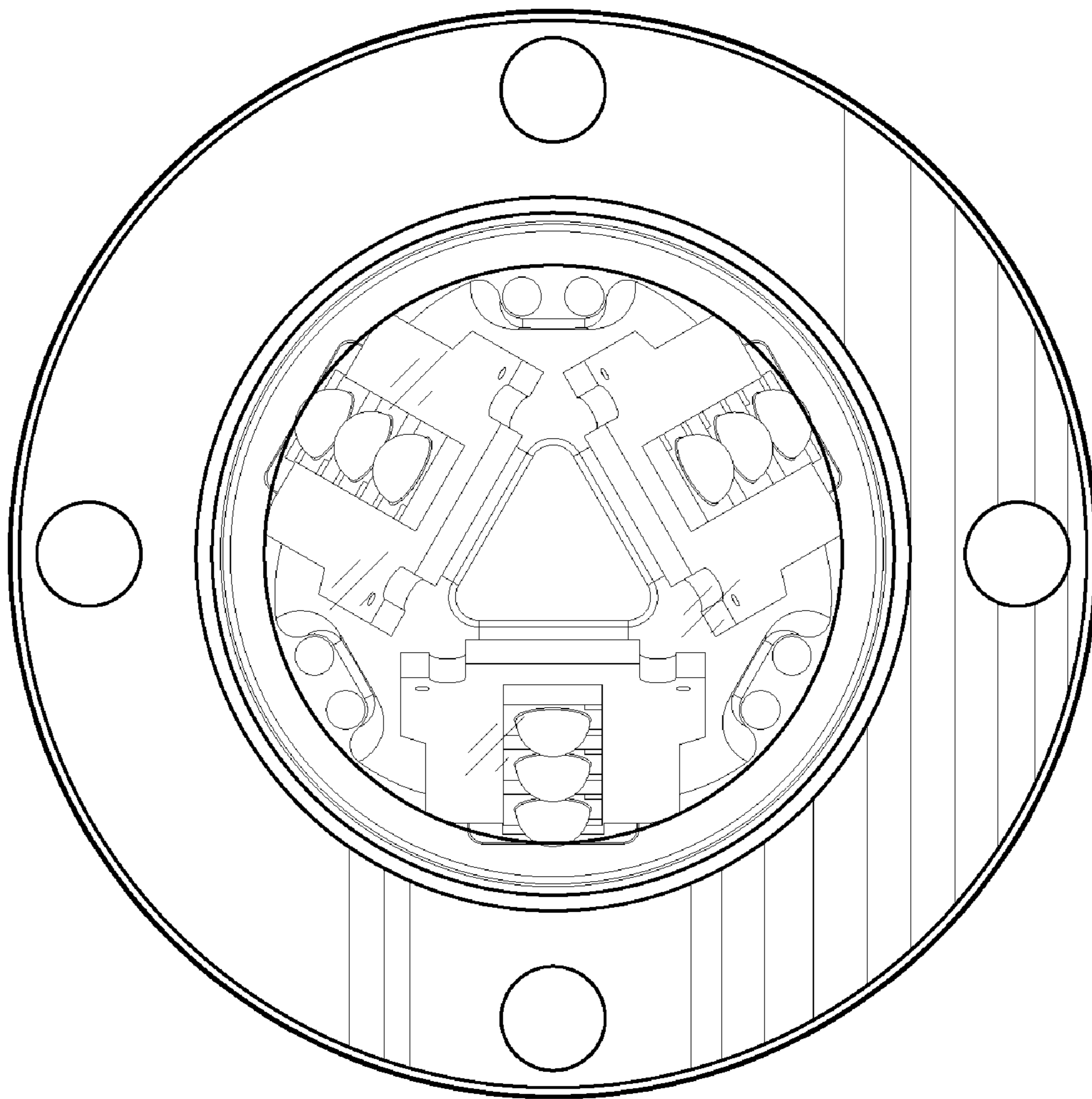


FIG. 8

