

US00D592076S

(12) **United States Design Patent**
Sipe et al.

(10) **Patent No.:** **US D592,076 S**

(45) **Date of Patent:** **** May 12, 2009**

(54) **MUFFIN PACK**

(75) Inventors: **Mark Sipe**, Parkersburg, WV (US);
Dean Brown, Beaveton, MN (US);
Jimmy Pho, Los Angeles, CA (US)

(73) Assignee: **PWP Industries**, Vernon, CA (US)

(**) Term: **14 Years**

(21) Appl. No.: **29/308,265**

(22) Filed: **Jun. 6, 2008**

(51) **LOC (9) Cl.** **09-03**

(52) **U.S. Cl.** **D9/756; D9/761; D9/420;**
D9/424; D9/425

(58) **Field of Classification Search** D9/756,
D9/757, 761, 762, 737, 759, 420-426, 429,
D9/414; 220/835, 608, 653, 669, 839, 4.23,
220/555, 575, 4.26, 4.27, 556, 553, 23.8,
220/23.83, 315, 324, 326, 4.21; 206/508,
206/511, 564, 541, 546, 521.1; 229/902-904,
229/906, 110, 406, 407

See application file for complete search history.

(56) **References Cited**

U.S. PATENT DOCUMENTS

D125,467 S *	2/1941	De Reamer	D9/757
4,962,854 A *	10/1990	Ricci	206/387.1
D317,255 S *	6/1991	Turk	D9/757
D317,864 S *	7/1991	Turk	D9/759
D336,850 S *	6/1993	Guillin	D9/429
D339,744 S *	9/1993	Seppala	D9/425
D359,901 S *	7/1995	Knoss et al.	D9/757
D360,825 S *	8/1995	Knoss et al.	D9/757
D363,021 S *	10/1995	Lombard	D9/415
5,456,379 A *	10/1995	Krupa et al.	220/835

D363,879 S *	11/1995	Krupa et al.	D9/423
D379,300 S *	5/1997	Krupa et al.	D9/757
D394,985 S *	6/1998	Curtis et al.	D7/538
D415,022 S *	10/1999	Gaudet et al.	D9/756
D428,332 S *	7/2000	Knutson	D9/425
D447,684 S *	9/2001	Hogman	D9/757
D506,397 S *	6/2005	Hall	D9/761
D507,756 S *	7/2005	Hall	D9/761
D514,452 S *	2/2006	Enriquez	D9/759
D536,992 S *	2/2007	Garg et al.	D9/737
D558,045 S *	12/2007	Templeton	D9/420
D577,578 S *	9/2008	Lymn et al.	D9/425
D578,388 S *	10/2008	Lymn et al.	D9/425
D583,659 S *	12/2008	Lyon et al.	D9/425

* cited by examiner

Primary Examiner—Stella M Reid

Assistant Examiner—Mark A Goodwin

(74) *Attorney, Agent, or Firm*—Leon D. Rosen

(57) **CLAIM**

The ornamental design for muffin pack, as shown and described.

DESCRIPTION

FIG. 1 is a top isometric view of muffin pack in an open position, showing my design.

FIG. 2 is a top isometric view thereof in a closed position.

FIG. 3 is a top view thereof.

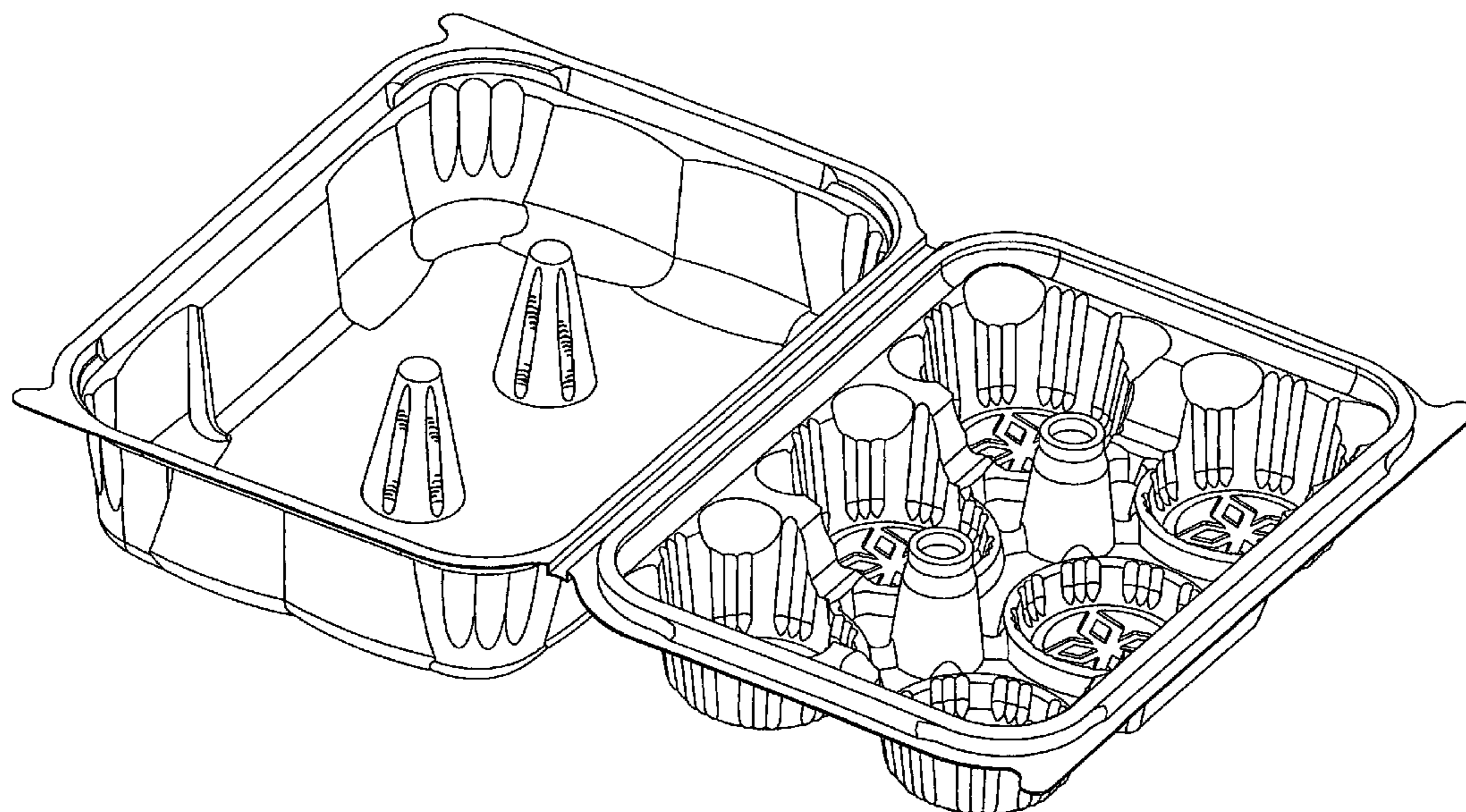
FIG. 4 is a bottom view thereof.

FIG. 5 is a front elevation view thereof.

FIG. 6 is a right side elevation view thereof, with the left side elevation view being a mirror image thereto; and,

FIG. 7 is a rear elevation view thereof.

1 Claim, 7 Drawing Sheets



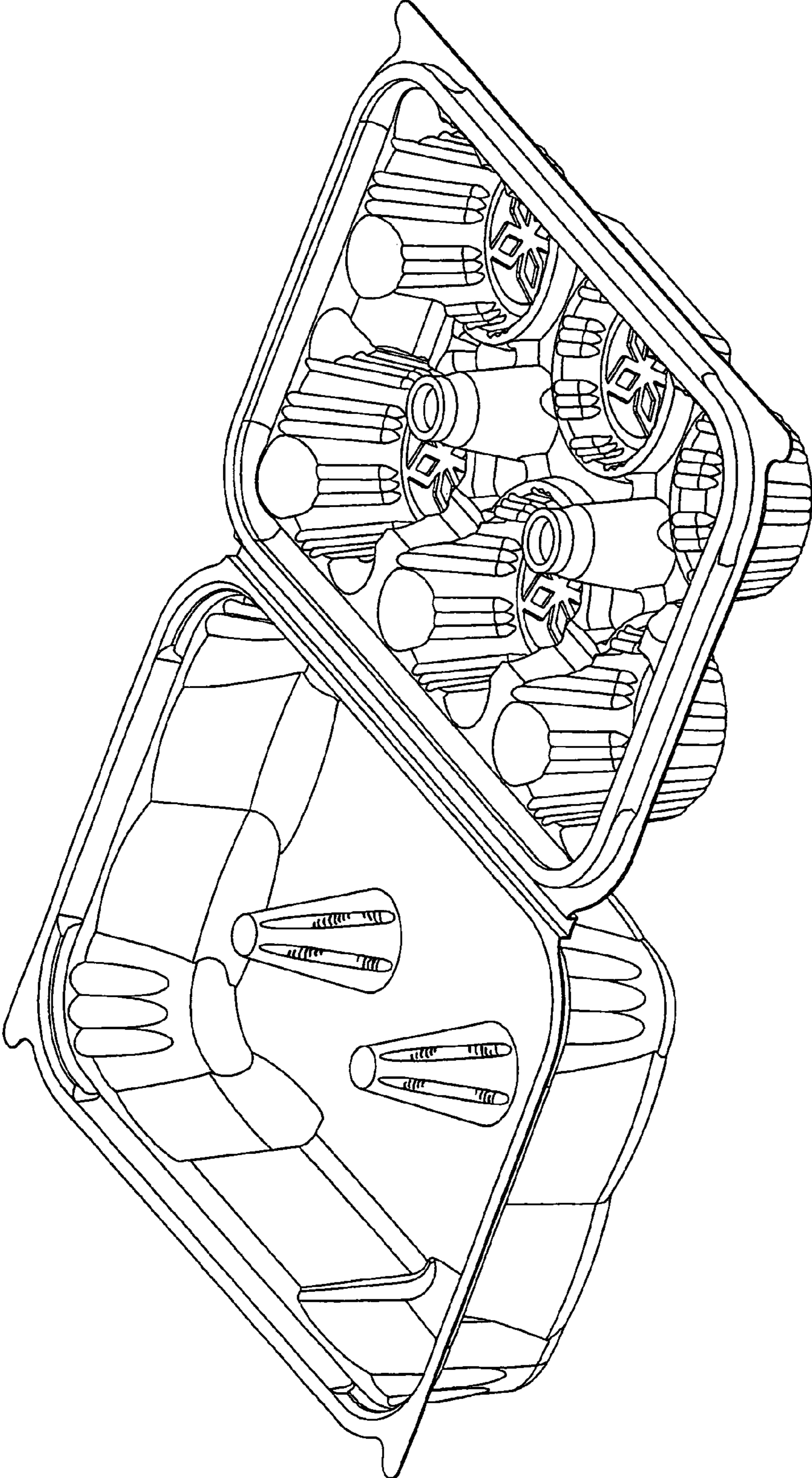


FIG. 1

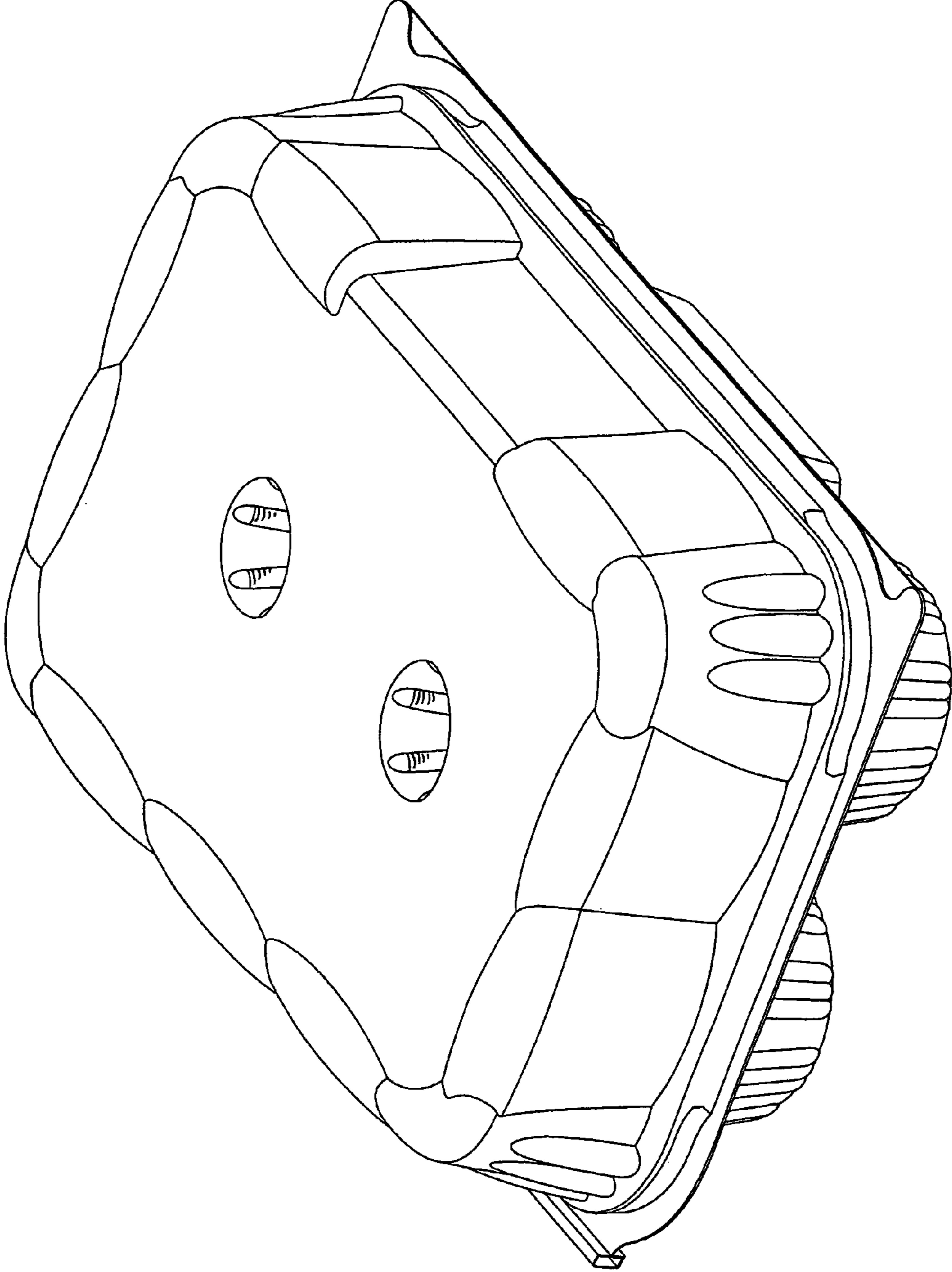


FIG. 2

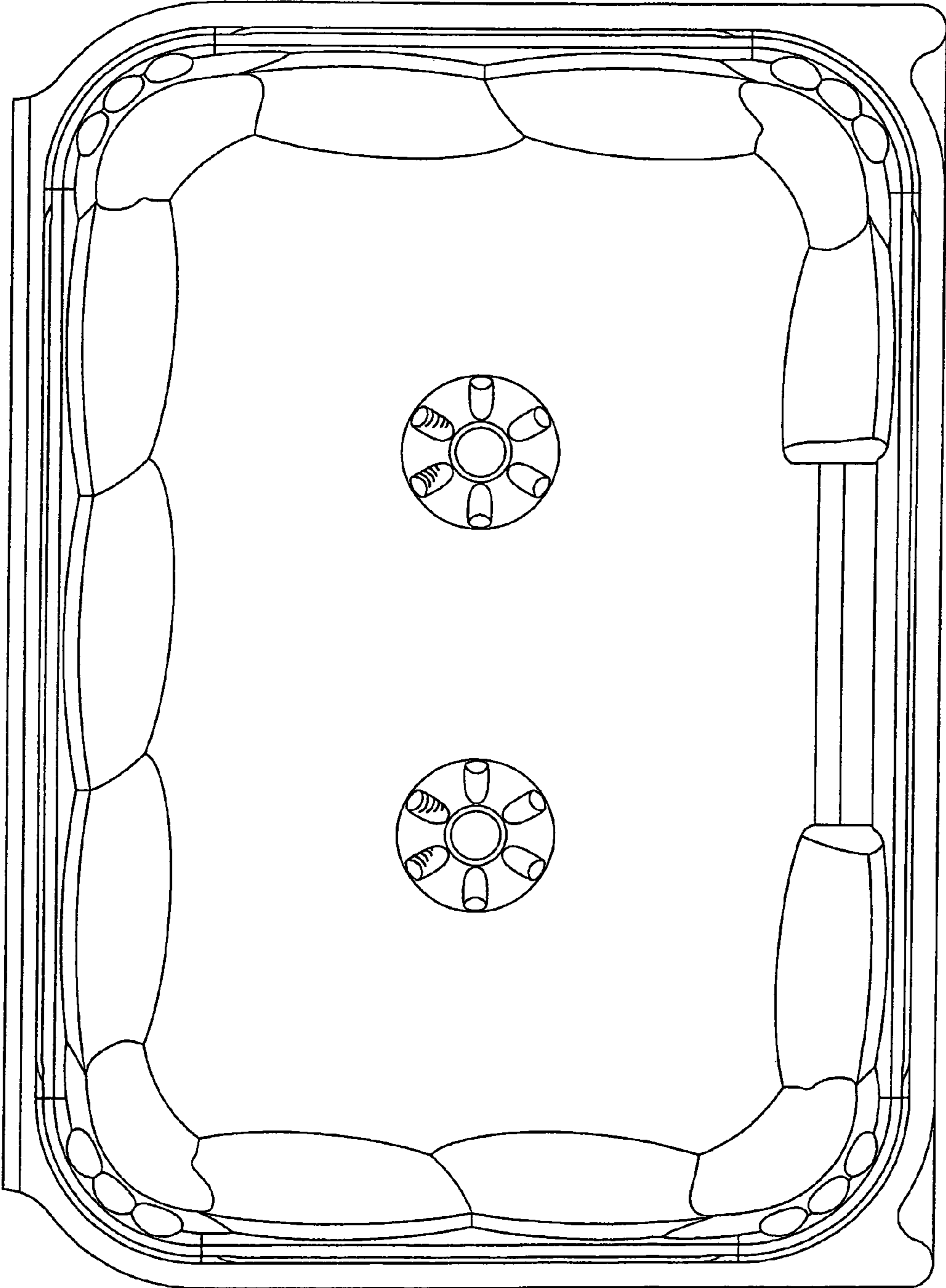


FIG. 3

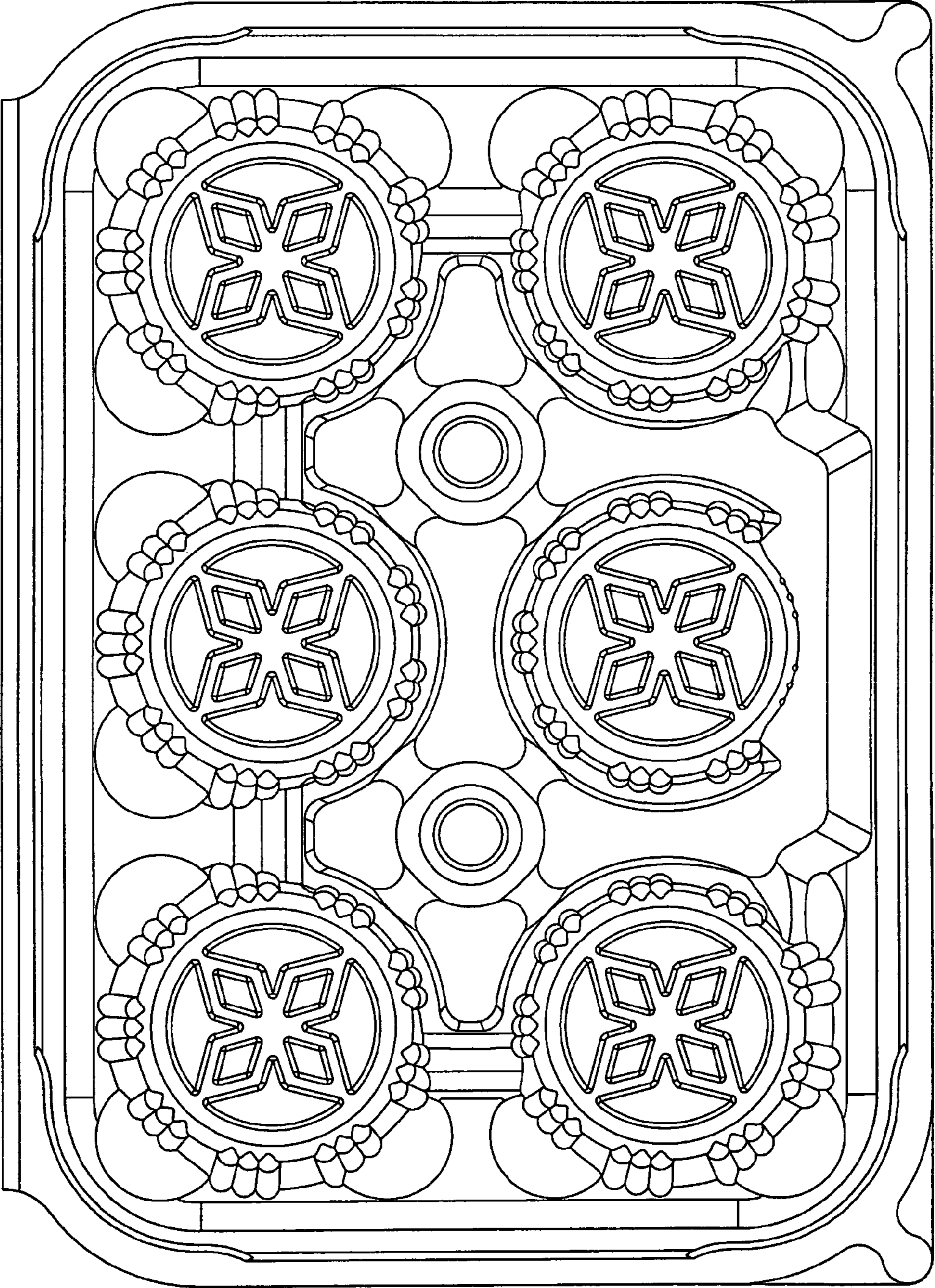


FIG. 4

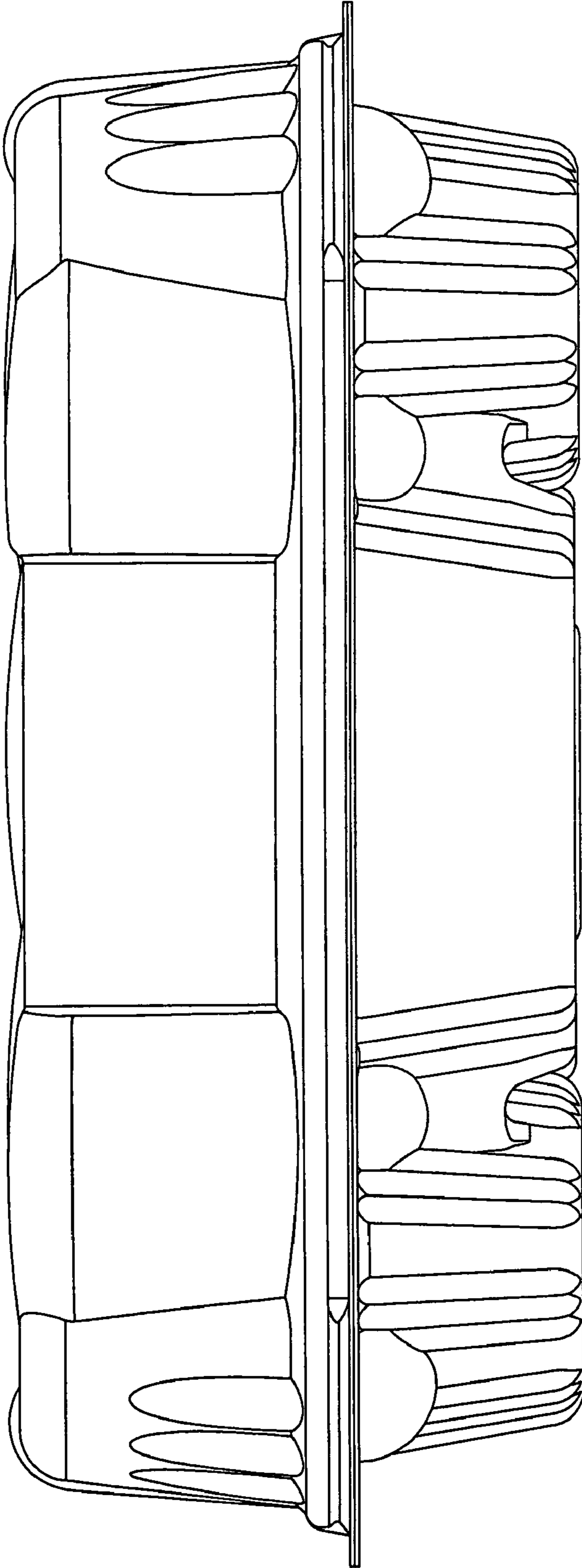


FIG. 5

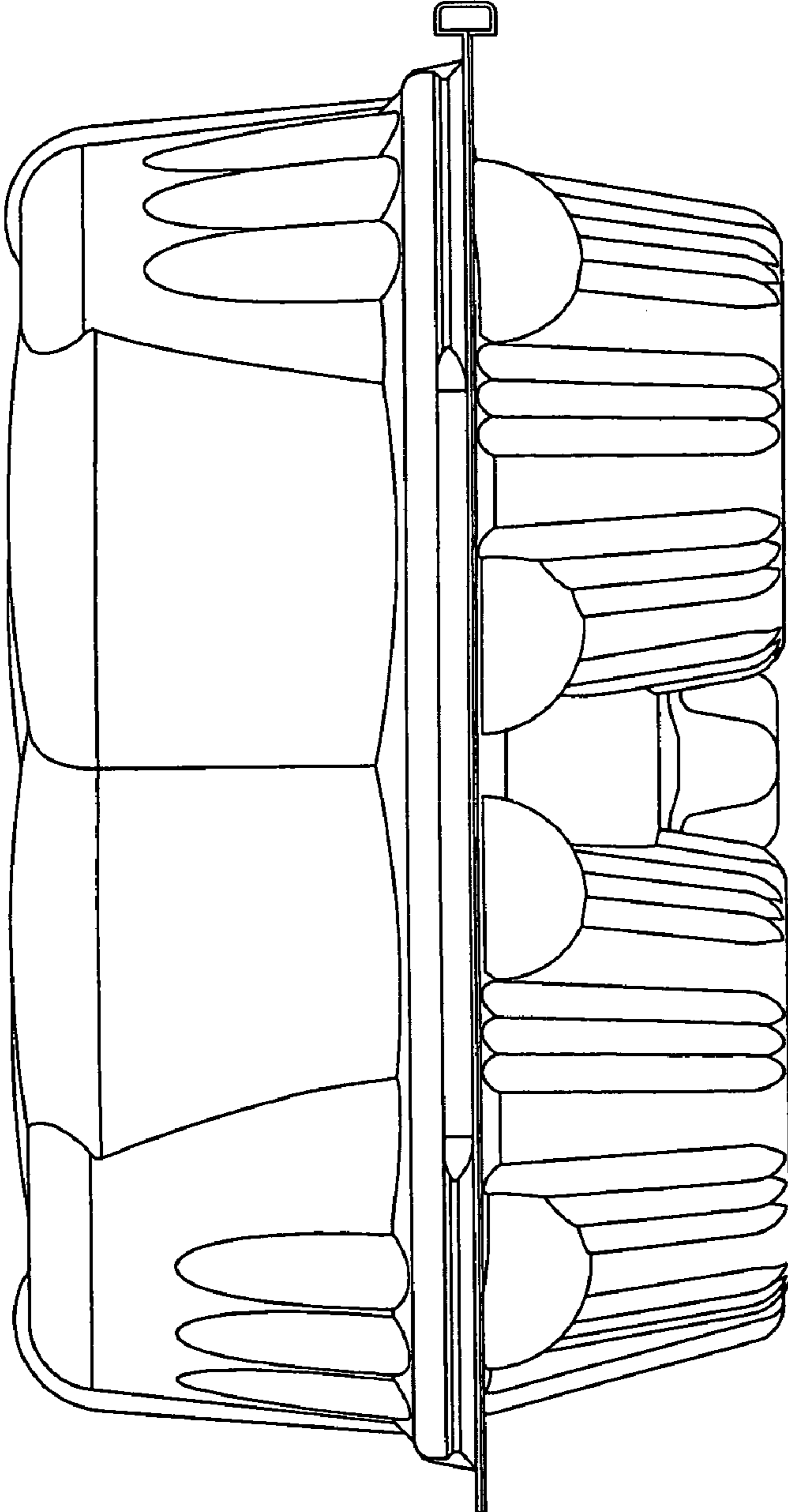


FIG. 6

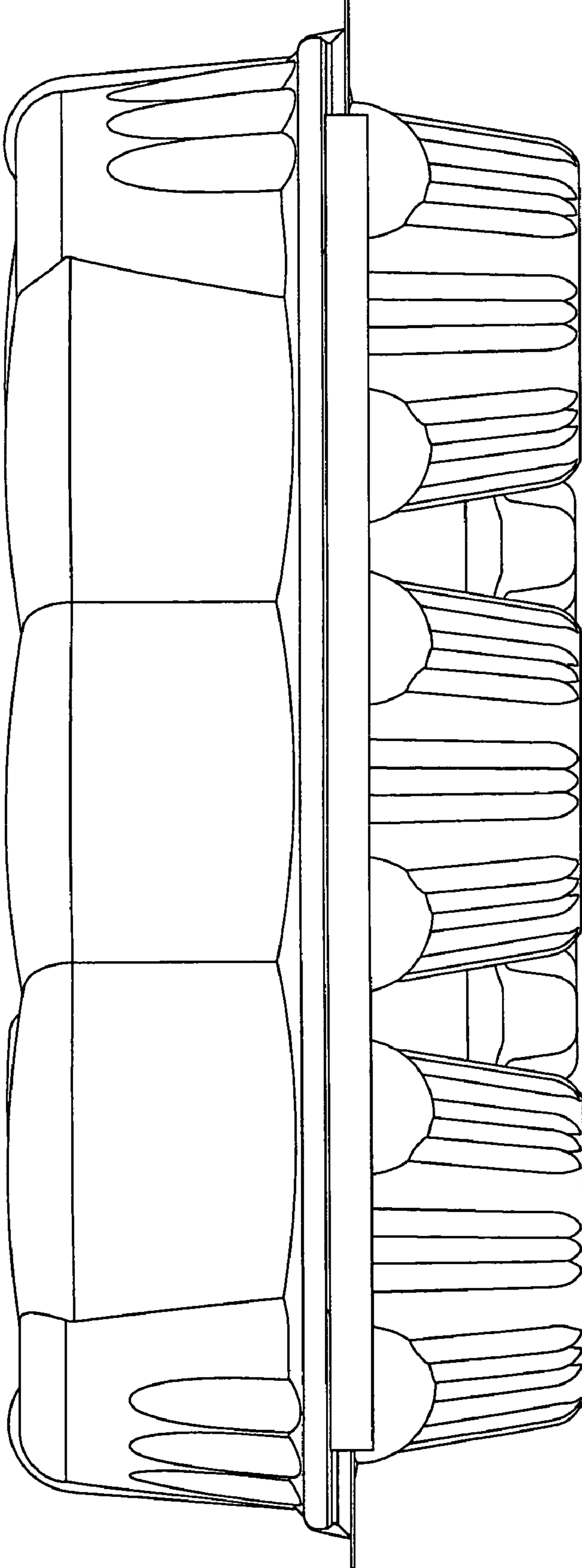


FIG. 7