

US00D592075S

(12) **United States Design Patent**
Holcomb

(10) **Patent No.:** **US D592,075 S**

(45) **Date of Patent:** **** May 12, 2009**

(54) **PACKAGE**

(75) Inventor: **Gary Holcomb**, Bellaire Bluff, FL (US)

(73) Assignee: **Dan-Dee International, Limited**, Jersey City, NJ (US)

(**) Term: **14 Years**

(21) Appl. No.: **29/222,980**

(22) Filed: **Feb. 7, 2005**

(51) **LOC (9) Cl.** **09-03**

(52) **U.S. Cl.** **D9/721**

(58) **Field of Classification Search** D9/414-416,
D9/418, 422, 430, 432, 433, 715, 721, 753;
D28/91; D26/9; 206/1.8, 45.21, 45.25, 45.29,
206/721, 756, 769, 779; 220/62, 915.1; 229/100,
229/122.27, 122.28, 122.3; 53/458

See application file for complete search history.

(56) **References Cited**

U.S. PATENT DOCUMENTS

4,200,188 A * 4/1980 Webinger 206/779
D265,723 S * 8/1982 Rosenthal D9/753
D320,557 S * 10/1991 Schuster D9/418

D349,645 S * 8/1994 van Loo D9/422
D388,522 S * 12/1997 Pietrantonni D26/9
D462,264 S * 9/2002 Barr et al. D9/416
D480,961 S * 10/2003 Deadman D9/414
D506,386 S * 6/2005 Milan D9/418
D519,365 S * 4/2006 Molayem D9/418
D529,795 S * 10/2006 Kragtwijk D9/418
D537,363 S * 2/2007 Petrucci D9/721
D543,451 S * 5/2007 Timmermans et al. D9/418
D555,471 S * 11/2007 Lebras et al. D9/418

* cited by examiner

Primary Examiner—Stella M Reid

Assistant Examiner—Shanda C Hill

(57) **CLAIM**

The ornamental design for a package, as shown and described.

DESCRIPTION

FIG. 1. is front perspective view of the package showing my new design.

The broken line shown in FIG. 1 is for illustration purposes only.

All sides not shown form no part of the claim.

1 Claim, 1 Drawing Sheet

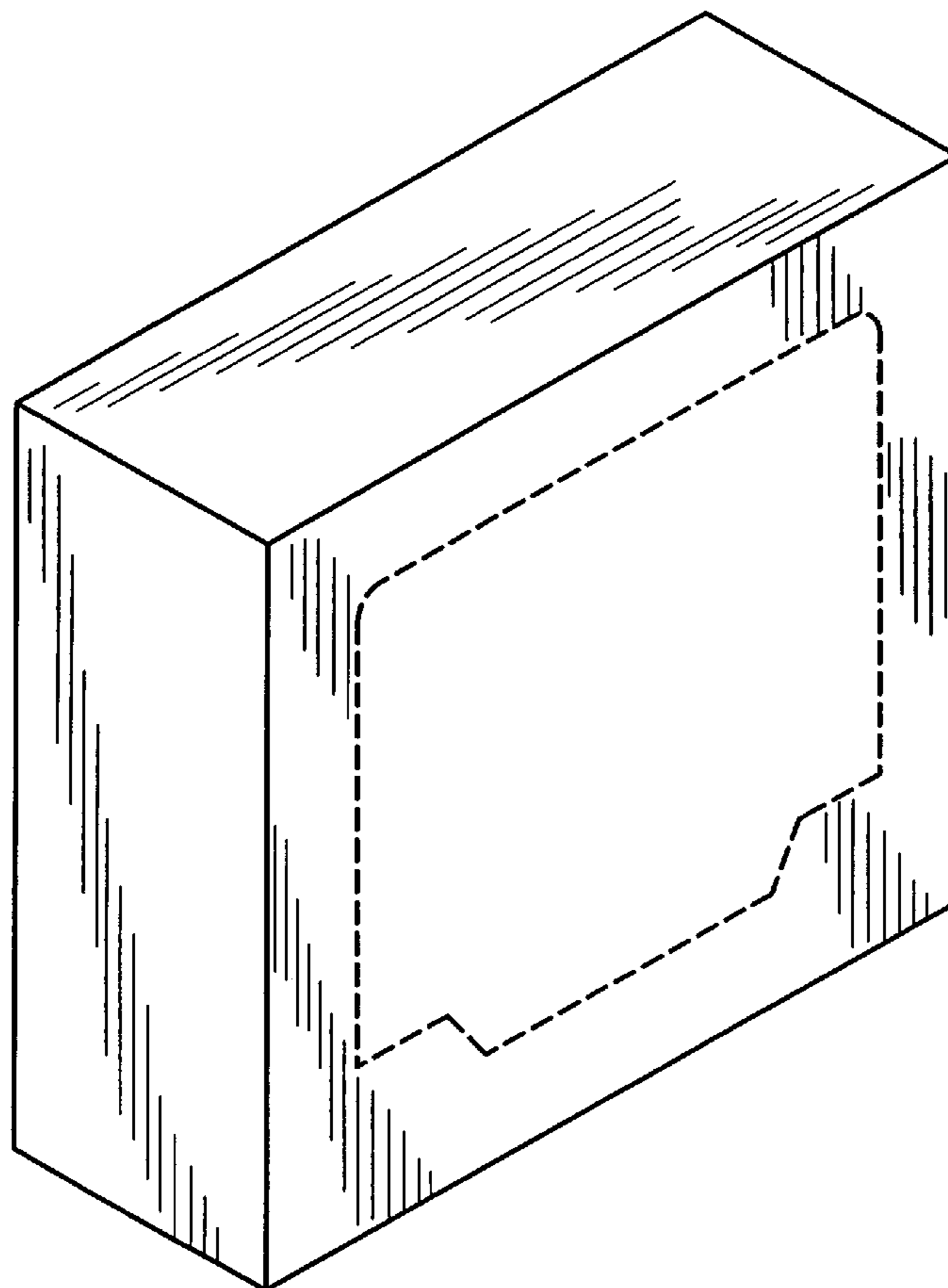


FIG. 1

