

US00D592072S

(12) **United States Design Patent**
Mansau

(10) **Patent No.:** **US D592,072 S**
(45) **Date of Patent:** **** May 12, 2009**

(54) **PERFUME FLASK**

(75) Inventor: **Serge Mansau**, Paris (FR)

(73) Assignee: **Parfums Givenchy**, Levallois Perret (FR)

(**) Term: **14 Years**

(21) Appl. No.: **29/320,670**

(22) Filed: **Jul. 1, 2008**

(30) **Foreign Application Priority Data**

Jan. 2, 2008 (FR) 08 0003

(51) **LOC (9) Cl.** **09-01**

(52) **U.S. Cl.** **D9/694**

(58) **Field of Classification Search** D9/682-694,
D9/516-571, 434-436, 447-450; 215/379-385,
215/46, 227, 228, 305, 396-399; 220/660,
220/662, 665, 669-675; 222/401, 402.1-402.25
See application file for complete search history.

(56) **References Cited**

U.S. PATENT DOCUMENTS

D70,623 S * 7/1926 Morrison D9/522
D120,813 S * 5/1940 Kihn D9/568
D129,194 S * 8/1941 Tobias D9/602
4,054,220 A * 10/1977 Rosenstein 215/6
D278,209 S * 4/1985 Dinand D9/544
D339,071 S * 9/1993 Mansau D9/558
D352,891 S * 11/1994 Lalique D9/656
D394,803 S * 6/1998 Desgrippes D9/532

D446,124 S * 8/2001 Lehnert D9/522
D498,665 S * 11/2004 Mansau D9/694
D499,652 S * 12/2004 Mansau D9/520
6,964,345 B2 * 11/2005 Wetherell et al. 215/10

FOREIGN PATENT DOCUMENTS

WO DM/056655 * 7/2001
WO DM/067592 * 2/2006
WO DM/068390 * 12/2006

* cited by examiner

Primary Examiner—Catherine Tuttle

(74) *Attorney, Agent, or Firm*—Stites & Harbison PLLC;
Douglas E. Jackson

(57) **CLAIM**

The ornamental design for a perfume flask, as shown and described.

DESCRIPTION

FIG. 1 is front view of a perfume flask according to the present invention.

FIG. 2 is a top view thereof.

FIG. 3 is a right side view thereof.

FIG. 4 is a left side view thereof.

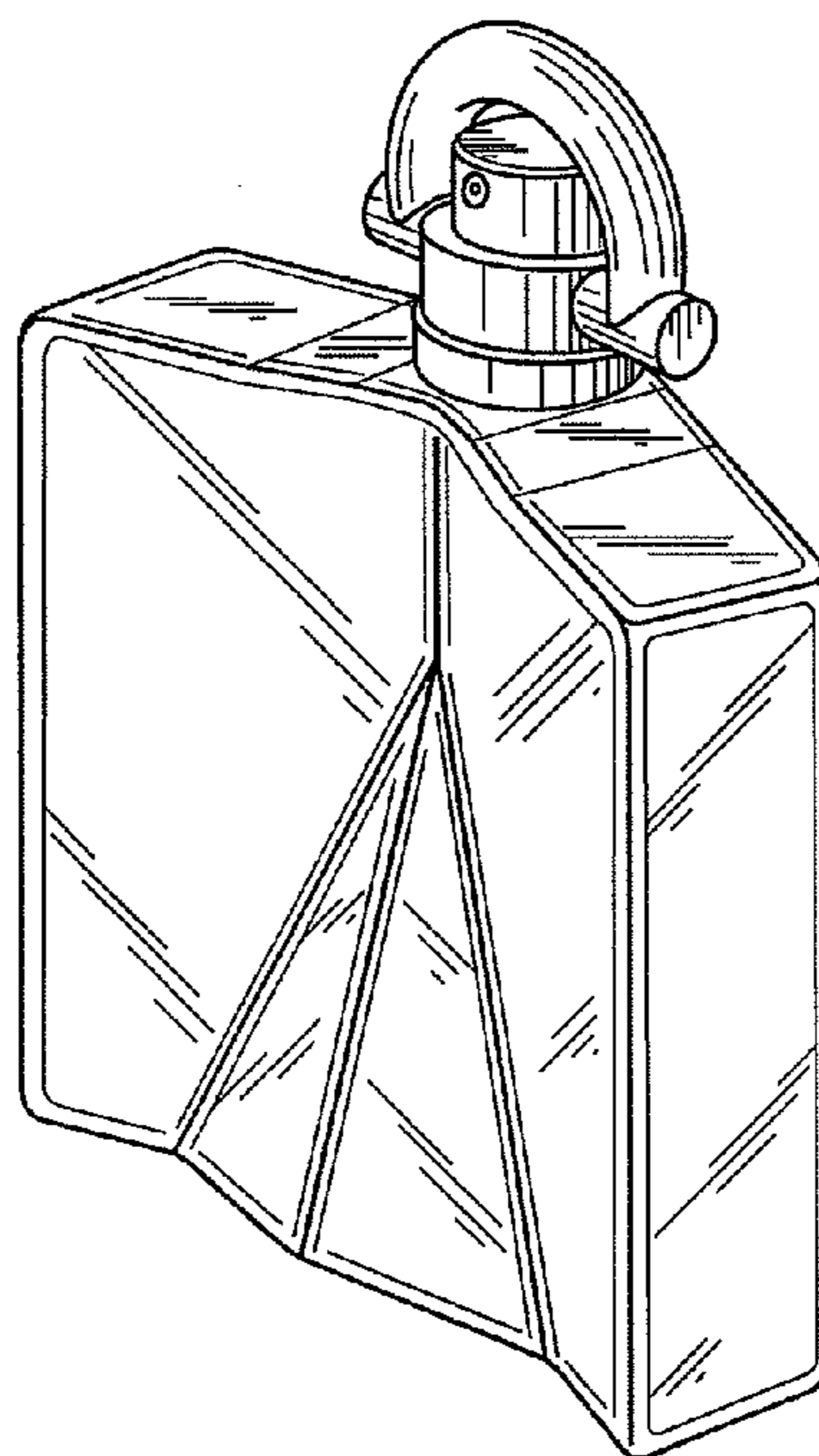
FIG. 5 is a bottom view thereof.

FIG. 6 is rear view thereof; and,

FIG. 7 is a perspective front, top and right side view thereof.

The portion shown in broken lines is for illustrative purposes only and forms no part of the claimed invention.

1 Claim, 3 Drawing Sheets



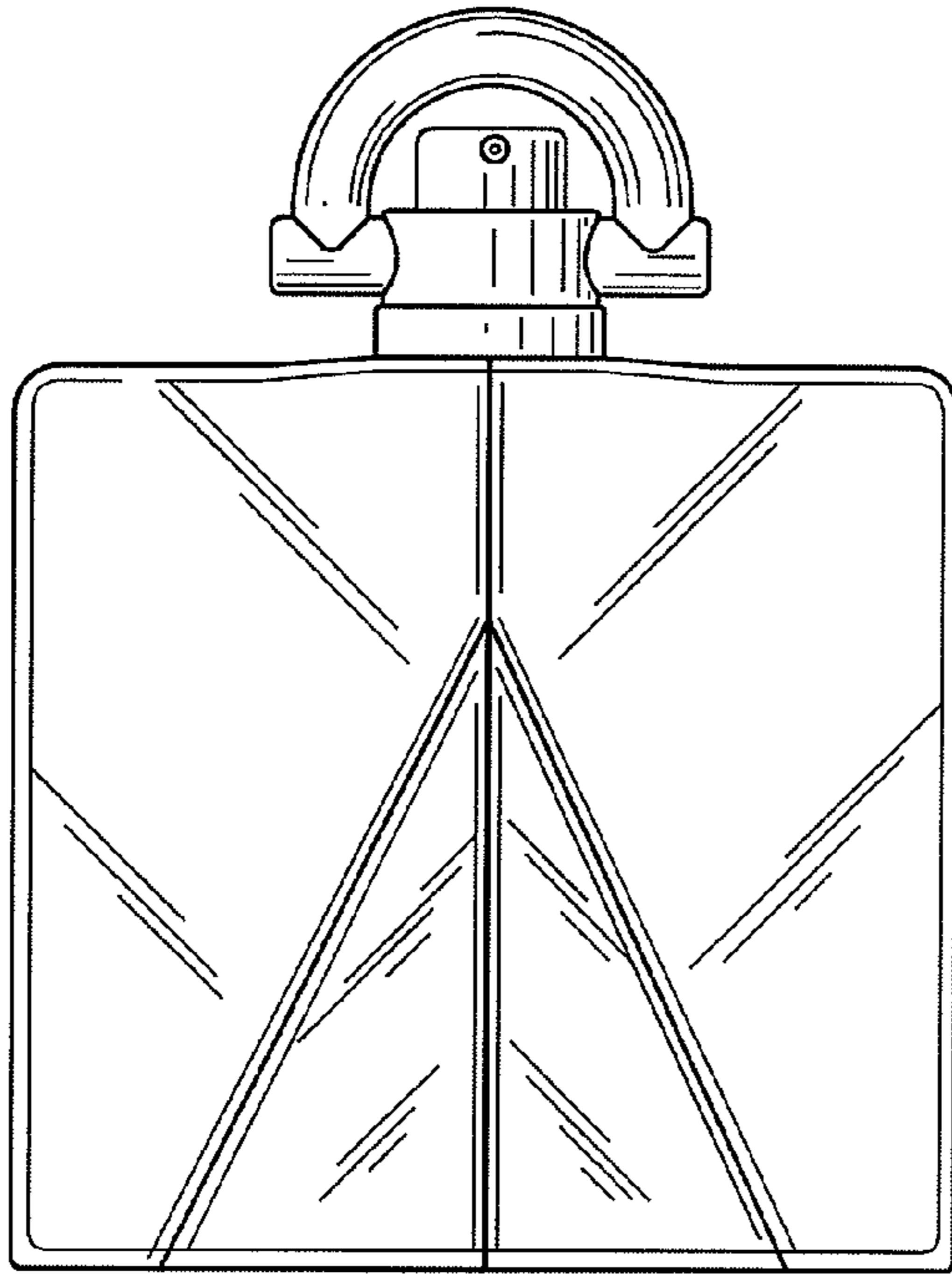


FIG. 1

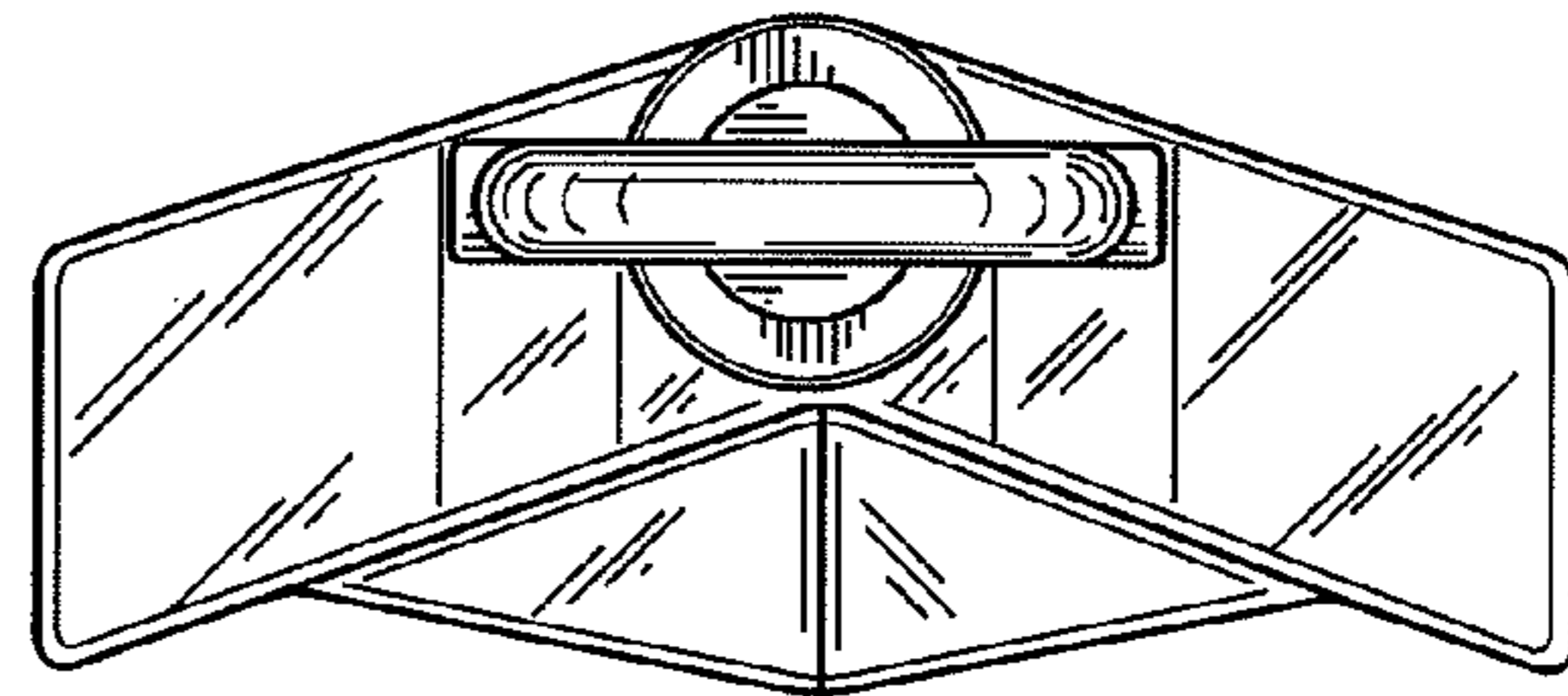


FIG. 2

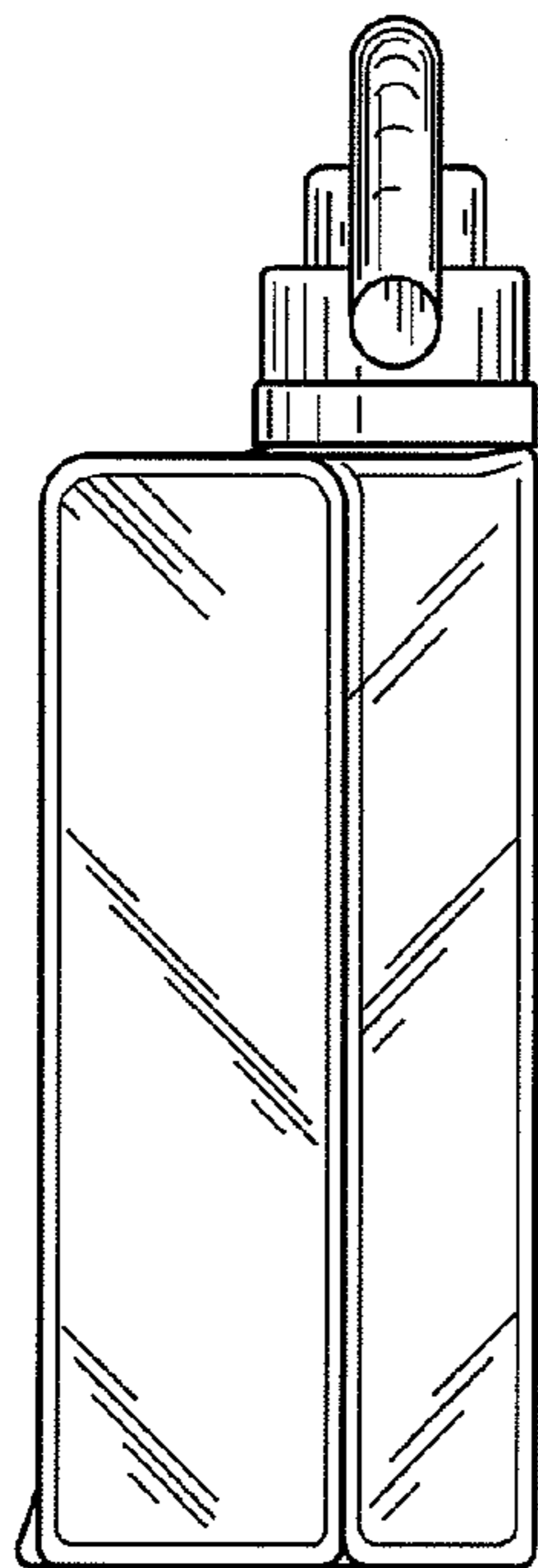


FIG. 3

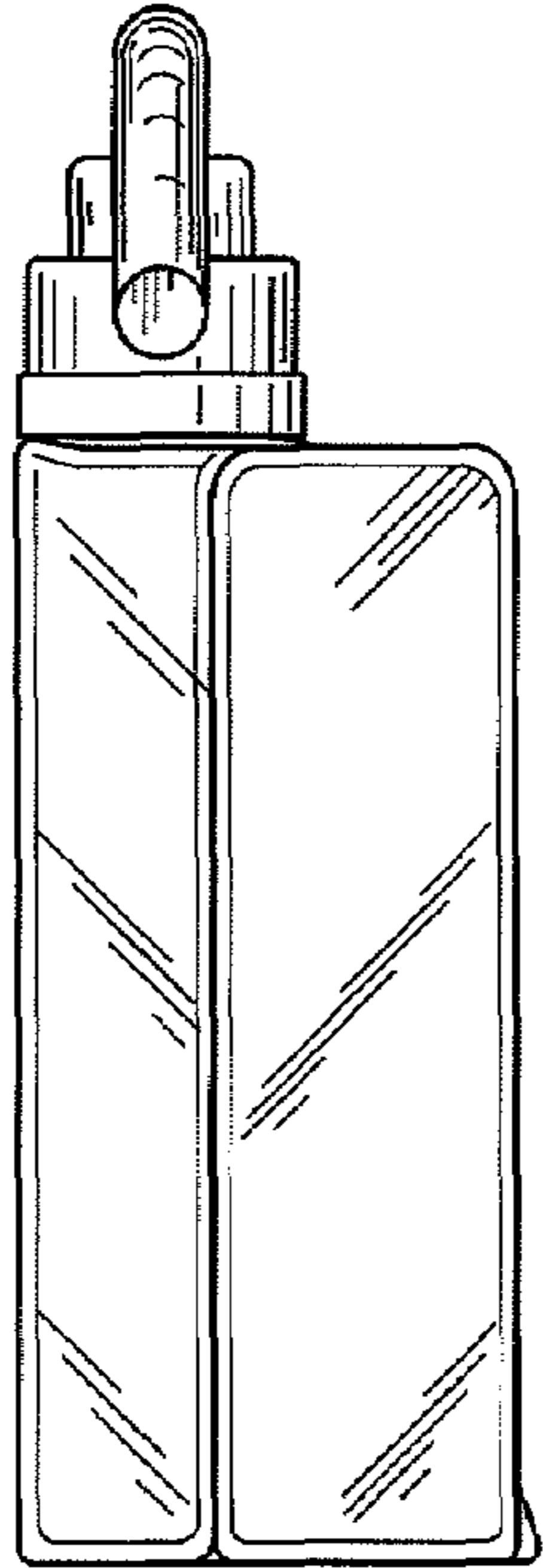


FIG. 4

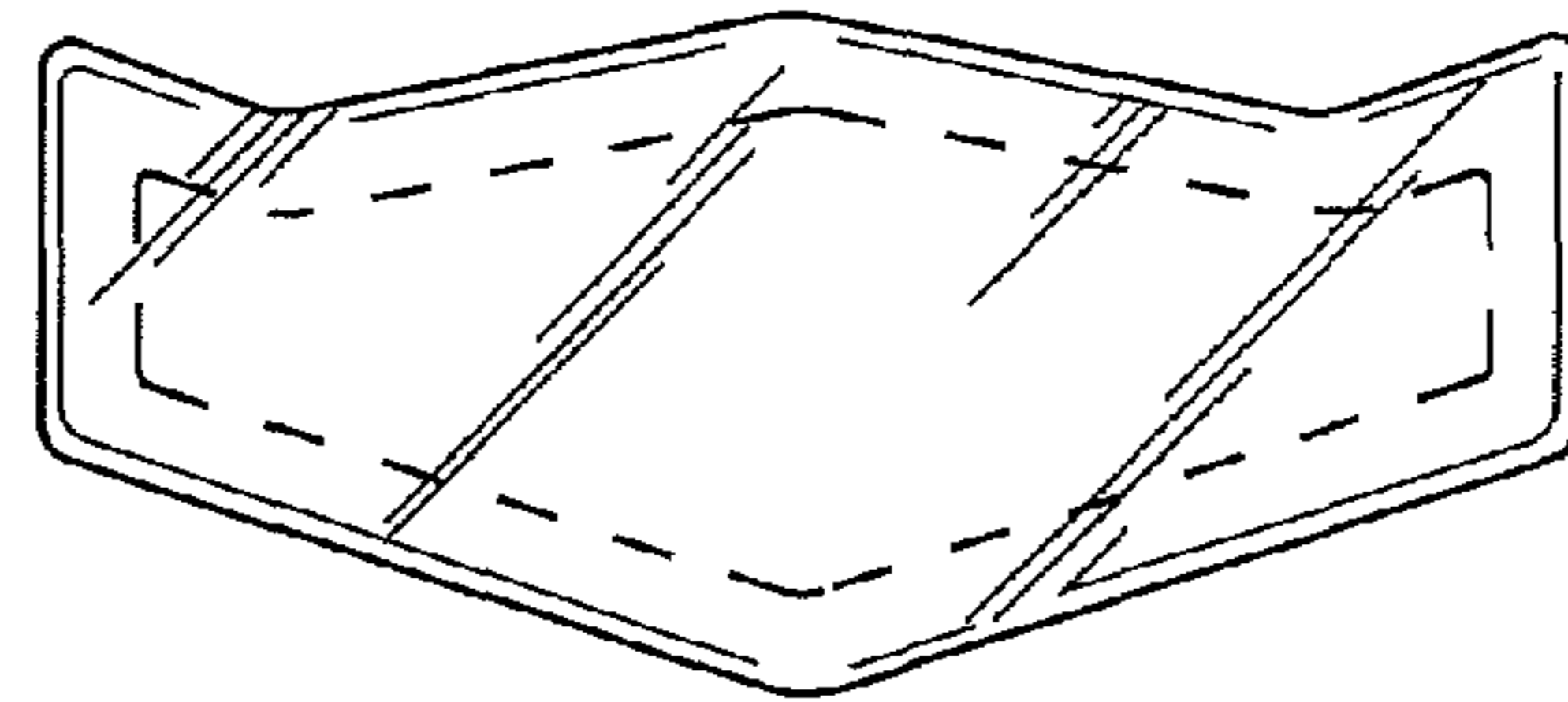


FIG. 5

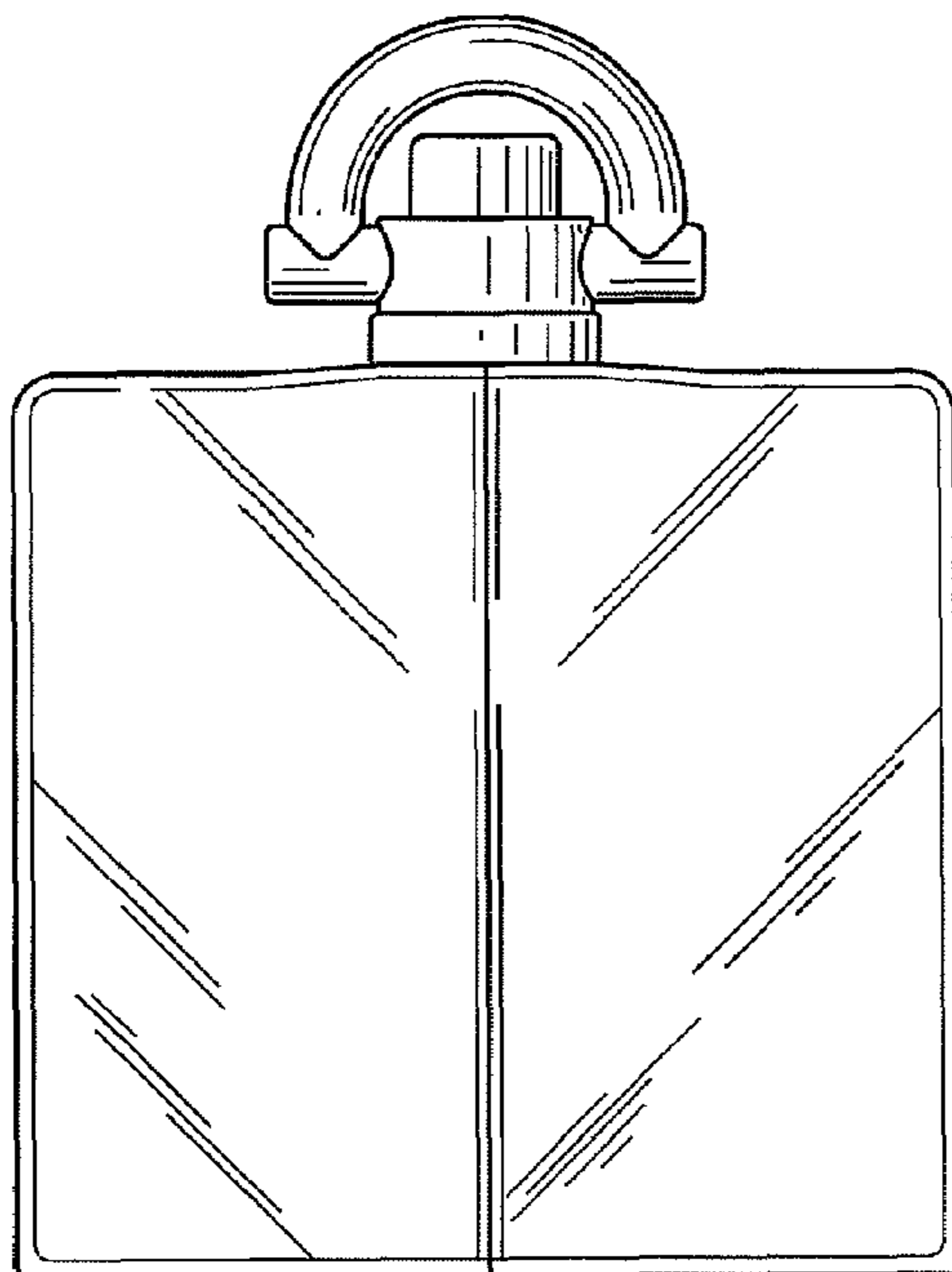


FIG. 6

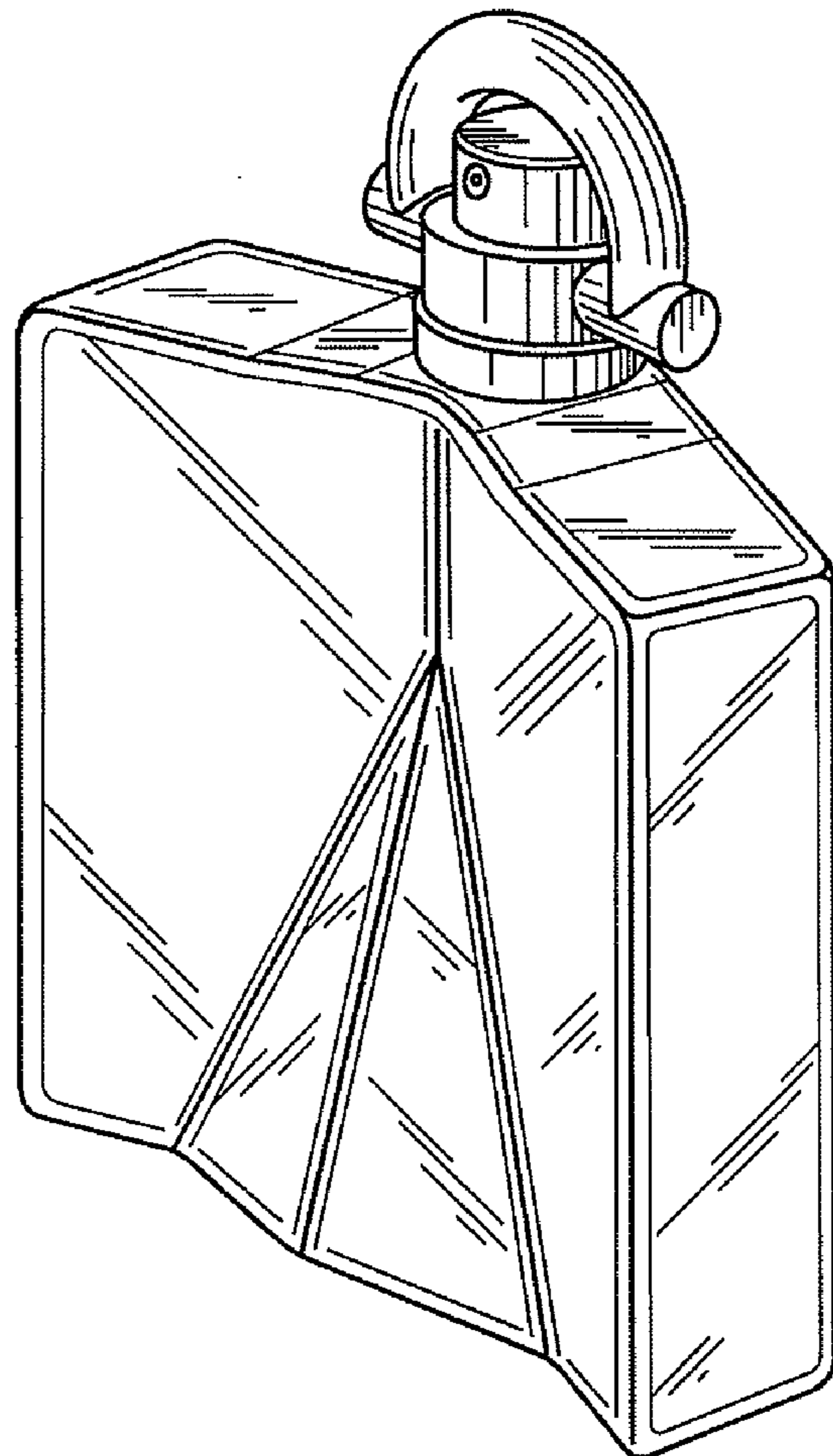


FIG. 7