

US00D592067S

(12) **United States Design Patent**
Lepoitevin

(10) **Patent No.:** **US D592,067 S**

(45) **Date of Patent:** **** May 12, 2009**

(54) **BOTTLE**

(75) Inventor: **Laurent Lepoitevin**, Le Havre Cedex
(FR)

(73) Assignee: **Sidel Participations**, Octeville sur Mer
(FR)

(**) Term: **14 Years**

(21) Appl. No.: **29/290,347**

(22) Filed: **Nov. 26, 2007**

(30) **Foreign Application Priority Data**

Nov. 2, 2007 (EM) 000819974

(51) **LOC (9) Cl.** **09-01**

(52) **U.S. Cl.** **D9/548; D9/549**

(58) **Field of Classification Search** D9/516,
D9/519, 520, 522, 529, 537, 538, 540-543,
D9/544, 545, 548, 549, 551, 552, 556, 557,
D9/558, 559, 560, 564, 565, 569, 570, 574,
D9/575; 215/381-385, 396, 398
See application file for complete search history.

(56) **References Cited**

U.S. PATENT DOCUMENTS

- D16,159 S * 7/1885 Atterbury D9/545
- D154,481 S * 7/1949 High D9/559
- D156,957 S * 1/1950 High D9/551
- D182,107 S * 2/1958 Colonma de Giovellina . D9/526
- D187,960 S * 5/1960 Marins D9/546
- D249,329 S * 9/1978 Schacher et al. D9/530
- D280,707 S * 9/1985 Imanishi D9/519

- D284,837 S * 7/1986 Nilsson D9/503
- D311,491 S * 10/1990 Bompard D9/545
- D318,614 S * 7/1991 Sheridan D9/519
- D341,321 S * 11/1993 De Silva D9/519
- D459,545 S * 6/2002 Choe et al. D28/20
- D509,742 S * 9/2005 Biondich et al. D9/519
- D531,907 S * 11/2006 Lepoitevin D9/531
- D532,307 S * 11/2006 Durand D9/519
- D535,886 S * 1/2007 Yourist et al. D9/552
- D545,680 S * 7/2007 Cha et al. D9/519
- D547,197 S * 7/2007 Hermel D9/646
- D550,095 S * 9/2007 De Oliveira Neto D9/564
- D554,507 S * 11/2007 Laupie D9/519

* cited by examiner

Primary Examiner—Stella M Reid

Assistant Examiner—Elizabeth J Oswecki

(74) *Attorney, Agent, or Firm*—McKenna Long & Aldridge
LLP

(57) **CLAIM**

The ornamental design for a bottle, as shown and described.

DESCRIPTION

FIG. 1 is a first perspective view of a bottle showing my new design;

FIG. 2 is a second perspective view thereof;

FIG. 3 is a first side elevation view thereof;

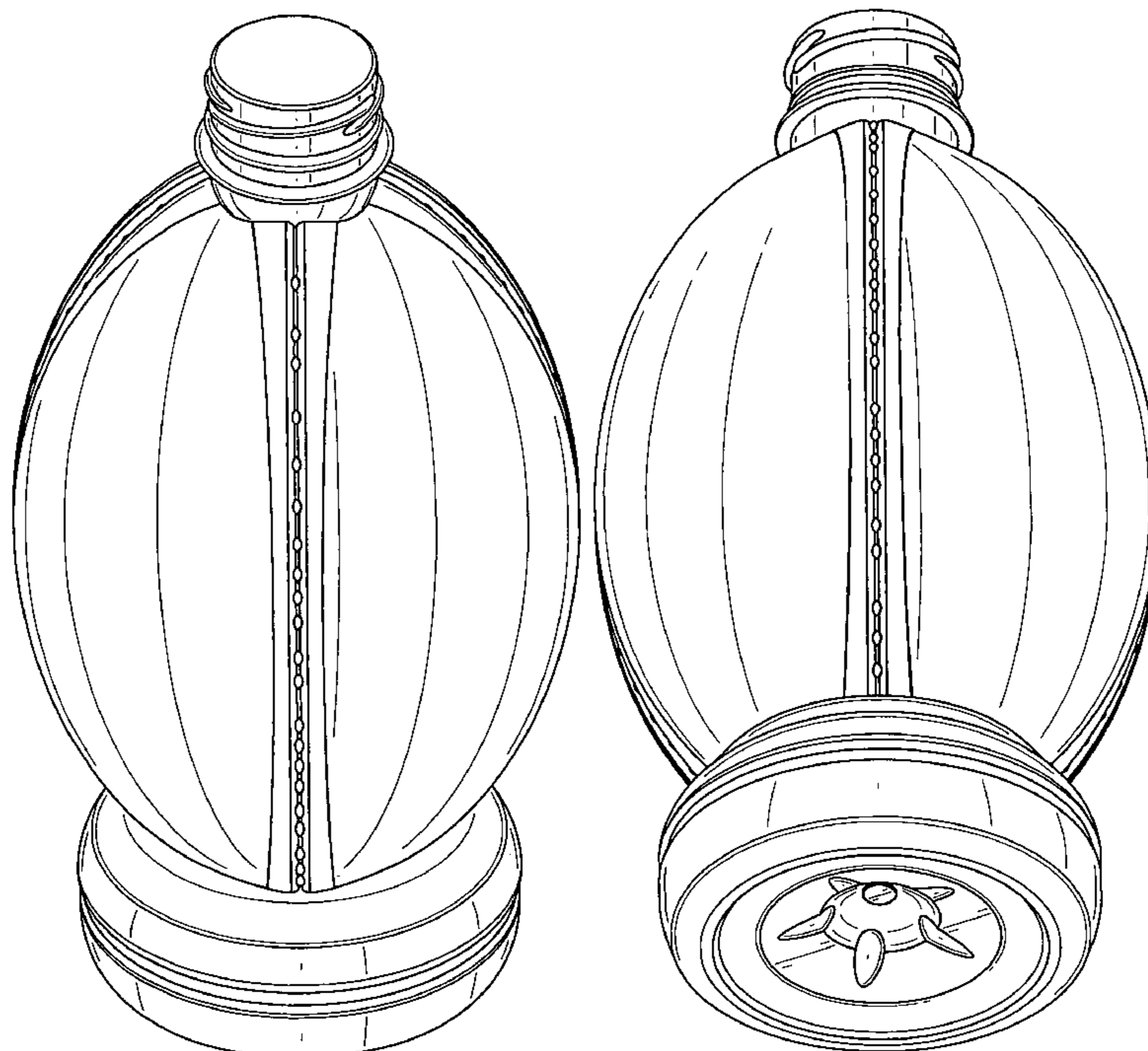
FIG. 4 is a second side elevation view thereof;

FIG. 5 is a third side elevation view thereof;

FIG. 6 is a top plan view thereof; and,

FIG. 7 is a bottom plan view thereof.

1 Claim, 6 Drawing Sheets



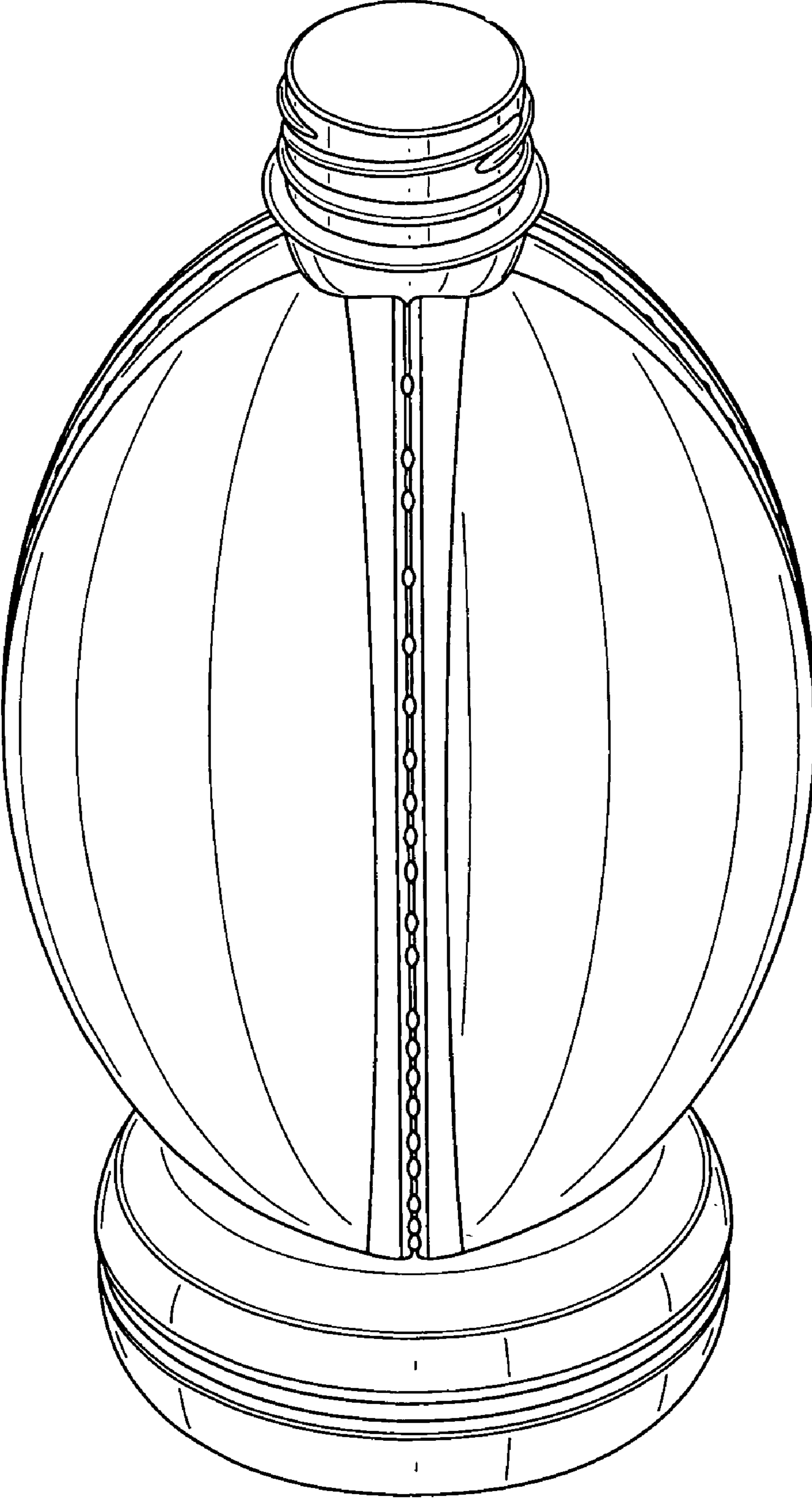


FIG. 1

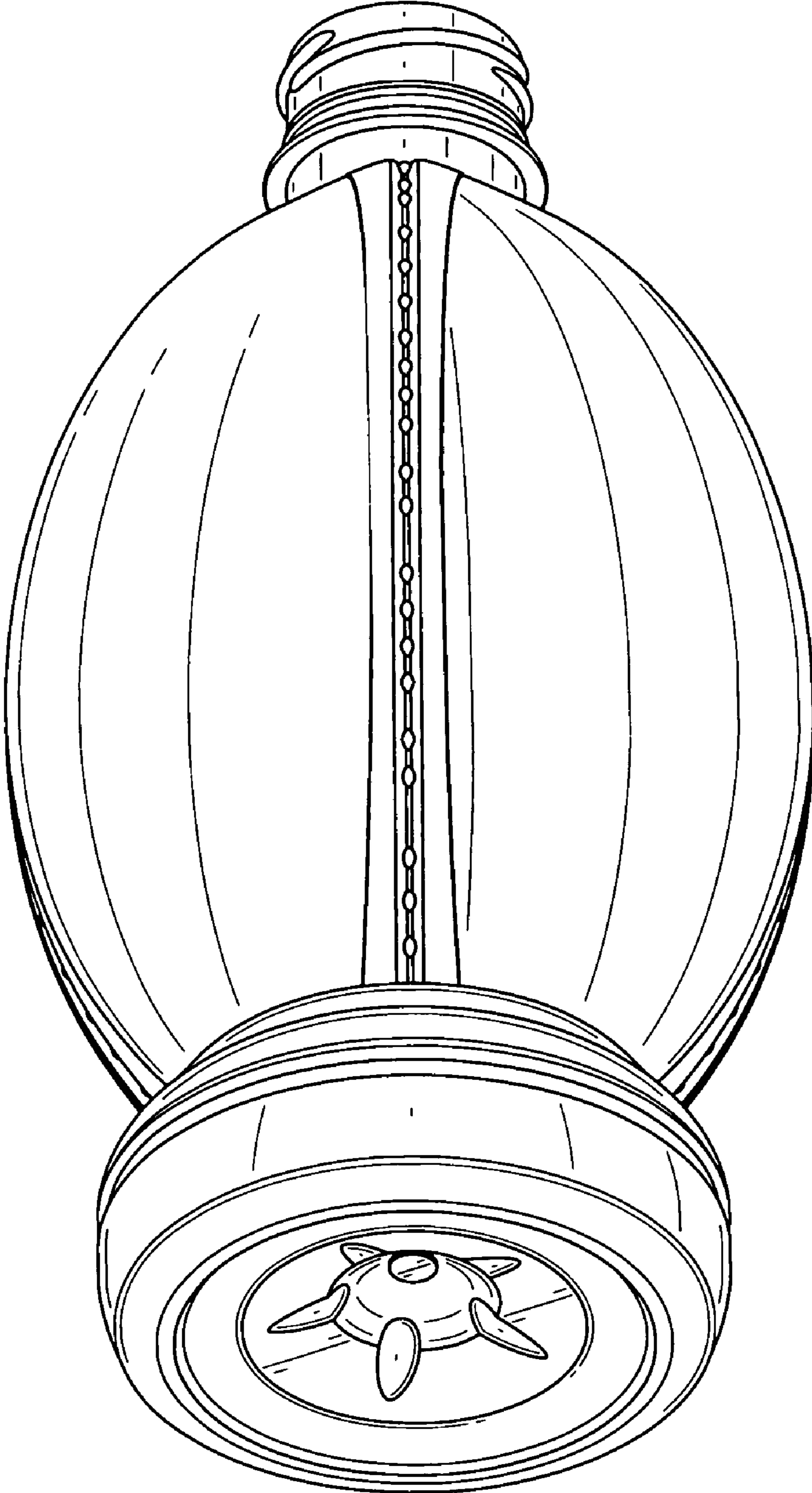


FIG. 2

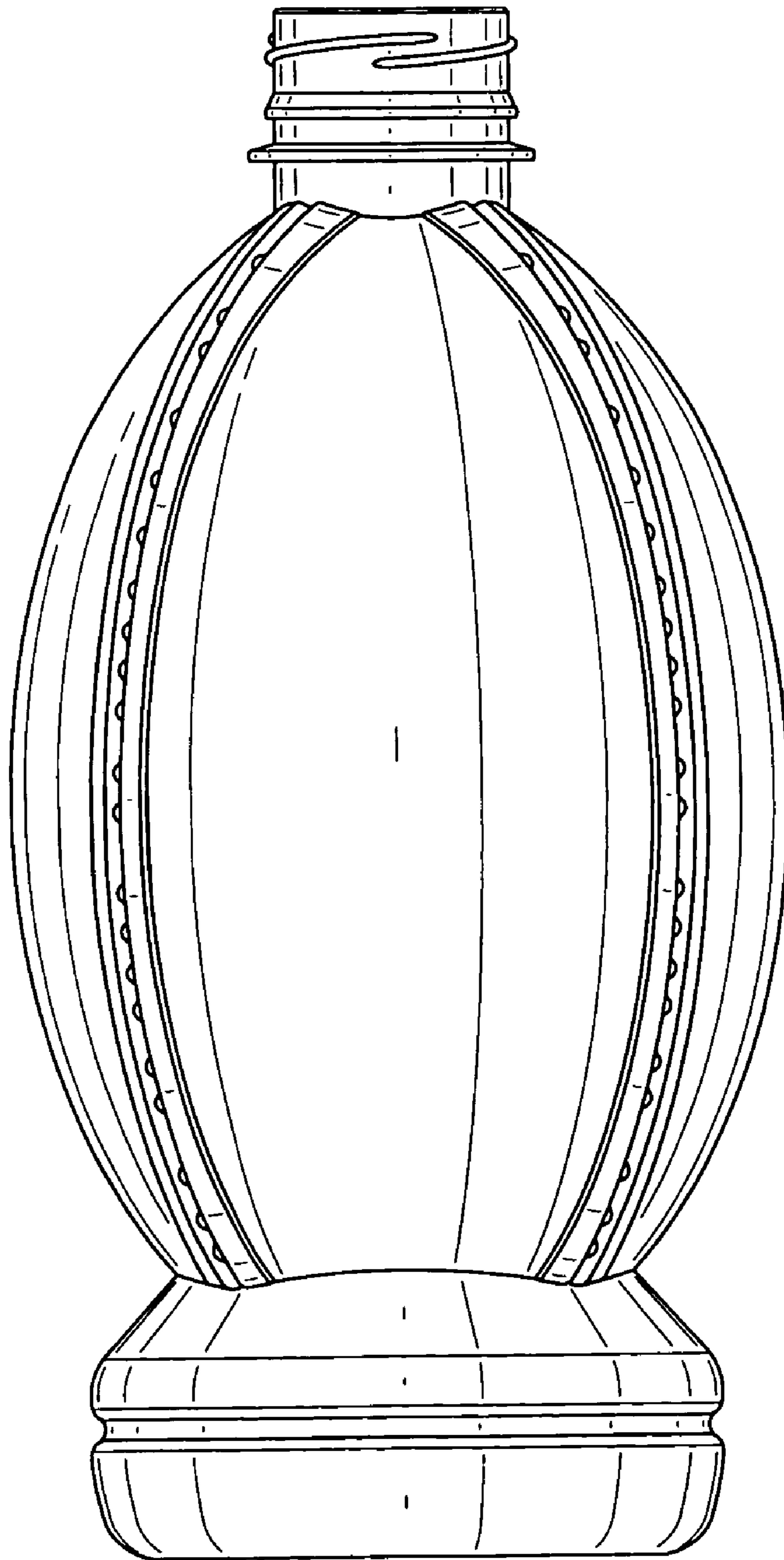


FIG. 3

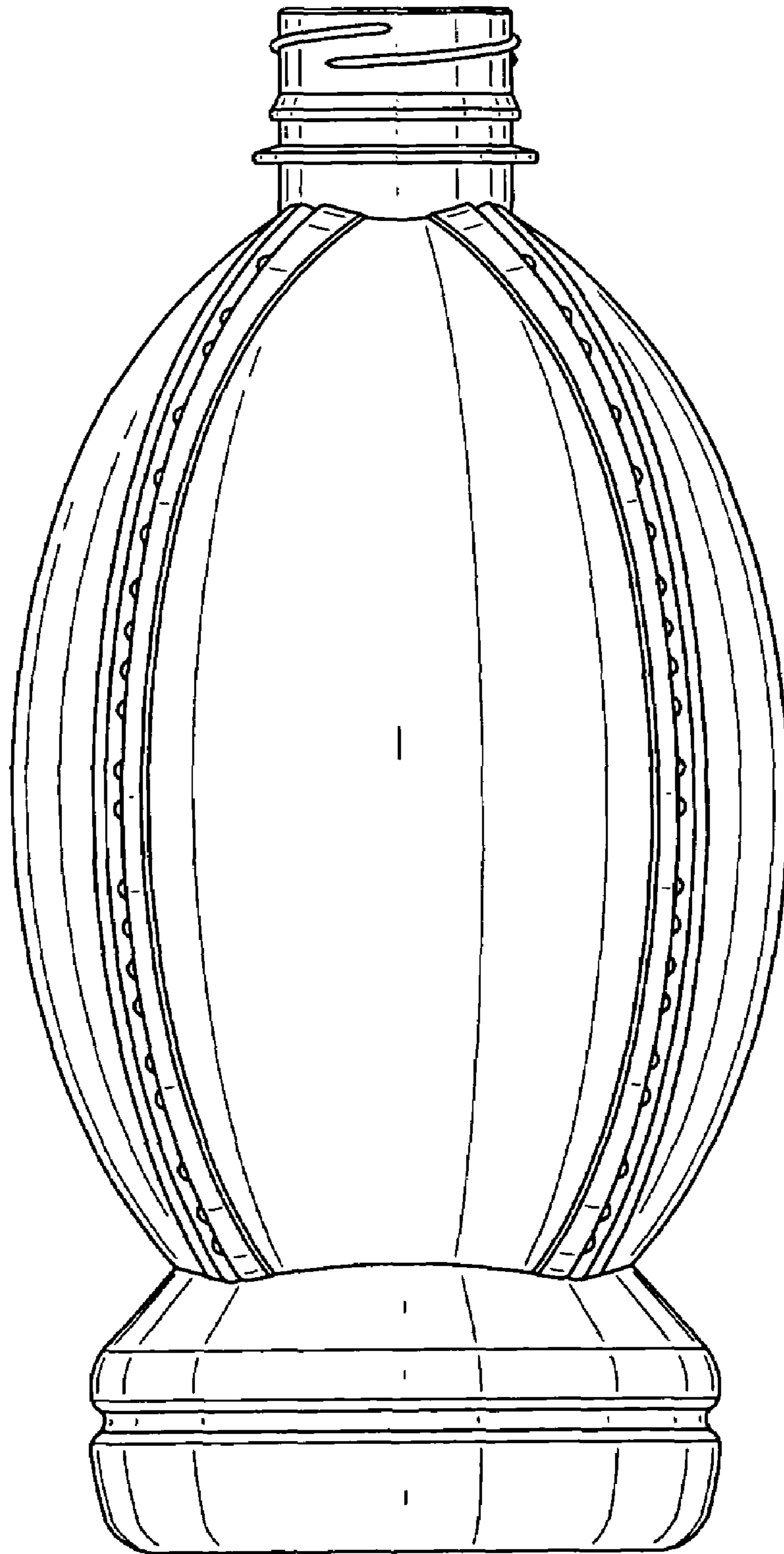


FIG. 4

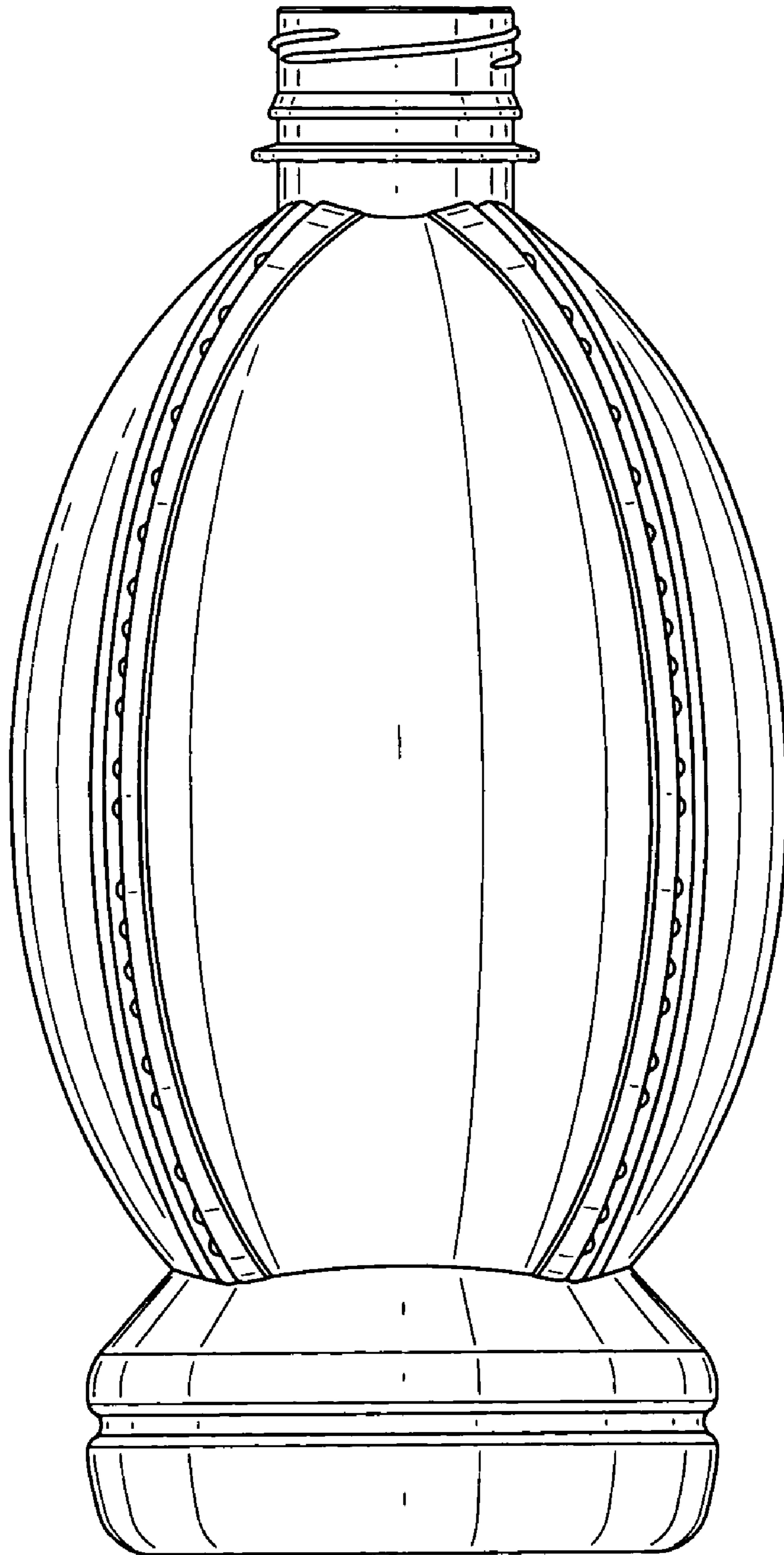


FIG. 5

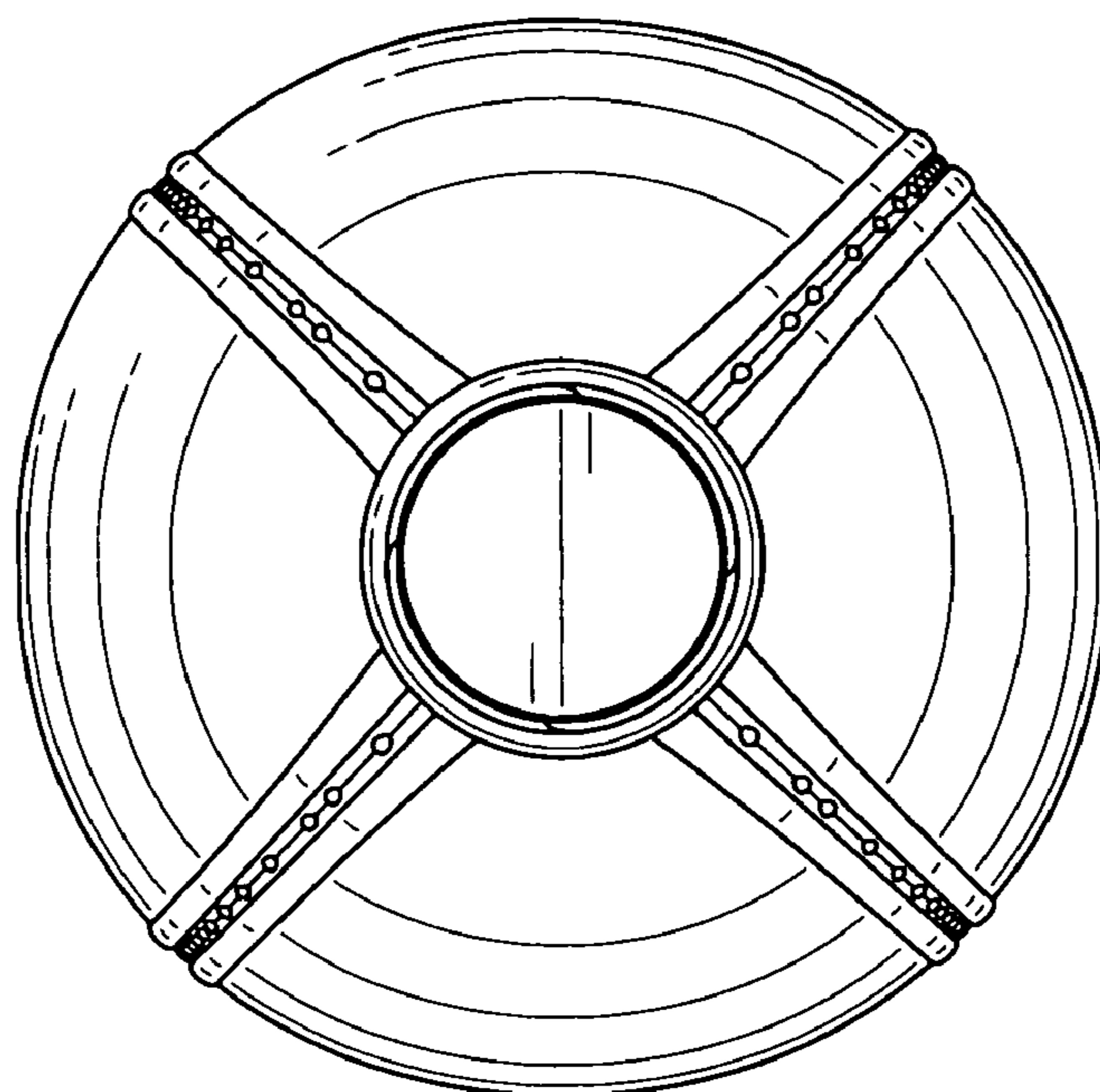


FIG. 6

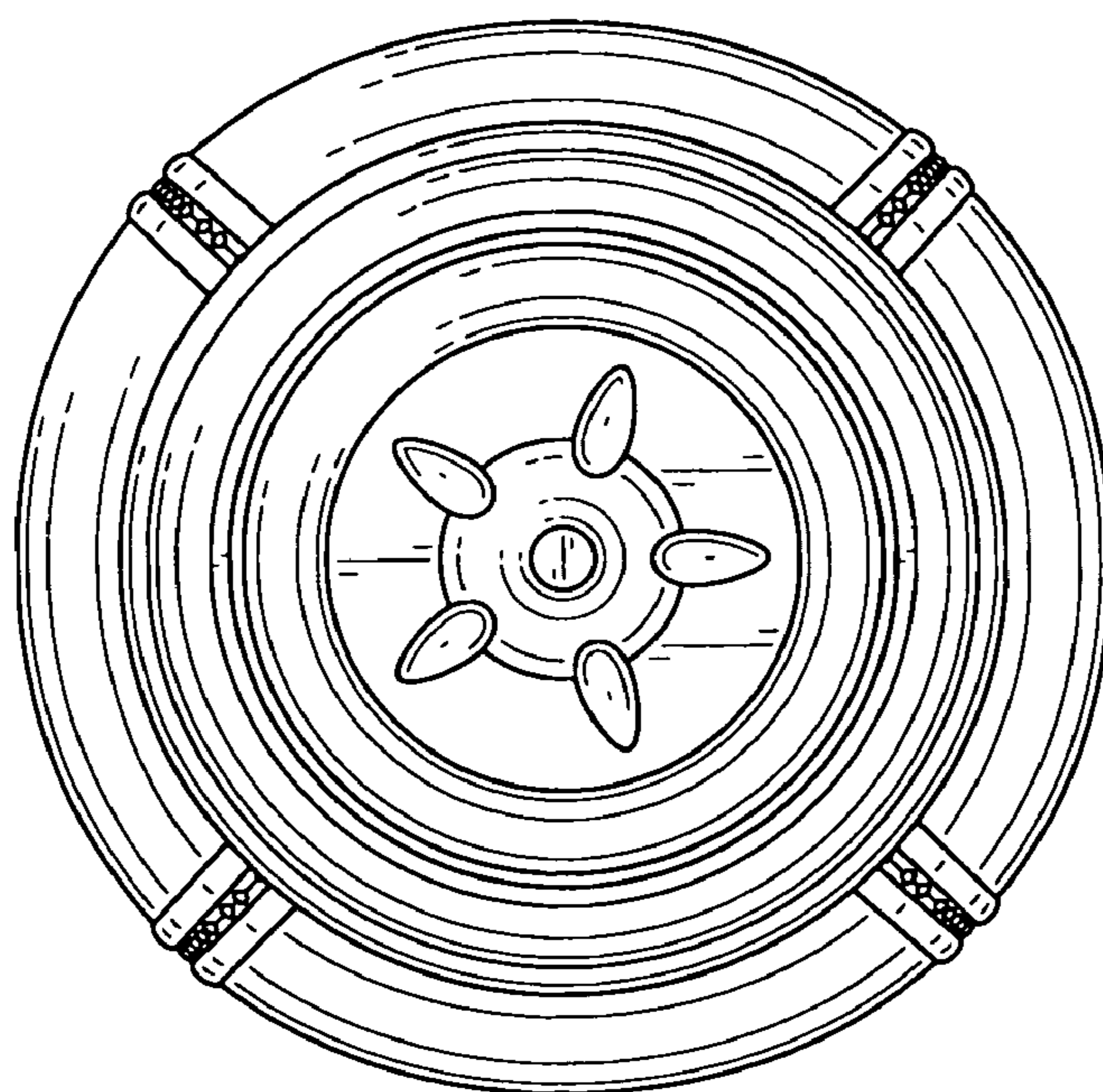


FIG. 7