



US00D592065S

(12) **United States Design Patent**
England

(10) **Patent No.:** **US D592,065 S**
(45) **Date of Patent:** **** May 12, 2009**

(54) **BOTTLE**

(75) Inventor: **Stephen England**, Runcorn (GB)

(73) Assignee: **Norton Healthcare Limited**, London (GB)

(**) Term: **14 Years**

(21) Appl. No.: **29/264,145**

(22) Filed: **Aug. 2, 2006**

(30) **Foreign Application Priority Data**

Feb. 2, 2006 (GB) 000473616-0001

(51) **LOC (9) Cl.** **09-01**

(52) **U.S. Cl.** **D9/526; D9/522; D9/558;**
D9/435; D9/443; D9/454; D9/696

(58) **Field of Classification Search** D9/696,
D9/723-726, 503, 504, 516, 522, 525, 526,
D9/549, 558, 435, 443, 454; D24/110, 115,
D24/117

See application file for complete search history.

(56) **References Cited**

U.S. PATENT DOCUMENTS

3,356,244 A * 12/1967 Witchell 215/49
3,409,181 A * 11/1968 McDonnell 222/211
D216,294 S * 12/1969 Rias D9/526 X
D249,958 S * 10/1978 Meierhoefer D24/117
4,207,990 A * 6/1980 Weiler et al. 215/375 X
D260,178 S * 8/1981 Pagels D24/117
D260,734 S * 9/1981 Frumin et al. D9/526
D294,986 S * 3/1988 Atchley D9/526 X
D296,869 S 7/1988 Bauwens
D297,915 S * 10/1988 Pataki D9/725
D304,683 S * 11/1989 Hofer D9/538
D312,209 S * 11/1990 Morrow et al. D24/117
5,046,627 A * 9/1991 Hansen D24/115 X
D324,333 S * 3/1992 Griffin et al. D9/529
D327,008 S 6/1992 Friedman

D333,092 S * 2/1993 Moshe D9/723
D337,863 S * 7/1993 Howell D9/526 X
D347,390 S * 5/1994 Kovacic et al. D9/539
D347,995 S 6/1994 Schurig
D362,390 S * 9/1995 Weiler D9/696
D369,211 S * 4/1996 Weiler D24/110
D369,212 S 4/1996 Snell
D375,352 S 11/1996 Bologna
D386,086 S * 11/1997 Kotoucek D9/526
D392,184 S 3/1998 Weiler
5,944,206 A * 8/1999 Culter et al. 215/48
D417,848 S * 12/1999 Marshall D9/503
D425,195 S * 5/2000 Hellstrom et al. D24/115
D436,526 S 1/2001 Ko
D475,626 S * 6/2003 Baruw D9/526
D483,257 S 12/2003 Lim
D515,936 S 2/2006 Ko
7,032,590 B2 * 4/2006 Loeffler et al. 128/200.24
7,100,600 B2 * 9/2006 Loeffler et al. 215/383
D539,420 S * 3/2007 Zahn et al. D24/115
D539,903 S * 4/2007 Strong D24/112
D551,988 S 10/2007 Oliver
D554,527 S 11/2007 Oliver

* cited by examiner

Primary Examiner—Carol Rademaker

(74) *Attorney, Agent, or Firm*—Christensen O'Connor Johnson Kindness PLLC

(57) **CLAIM**

I claim the ornamental design for a bottle, as shown.

DESCRIPTION

FIG. 1 is a front elevational view of a bottle;
FIG. 2 is a right side elevational view thereof;
FIG. 3 is a rear elevational view thereof;
FIG. 4 is a top plan view thereof;
FIG. 5 is a bottom plan view thereof; and,
FIG. 6 is a left side elevational view thereof.

1 Claim, 2 Drawing Sheets





Fig. 1.



Fig. 2.



Fig. 3.

Fig. 4.

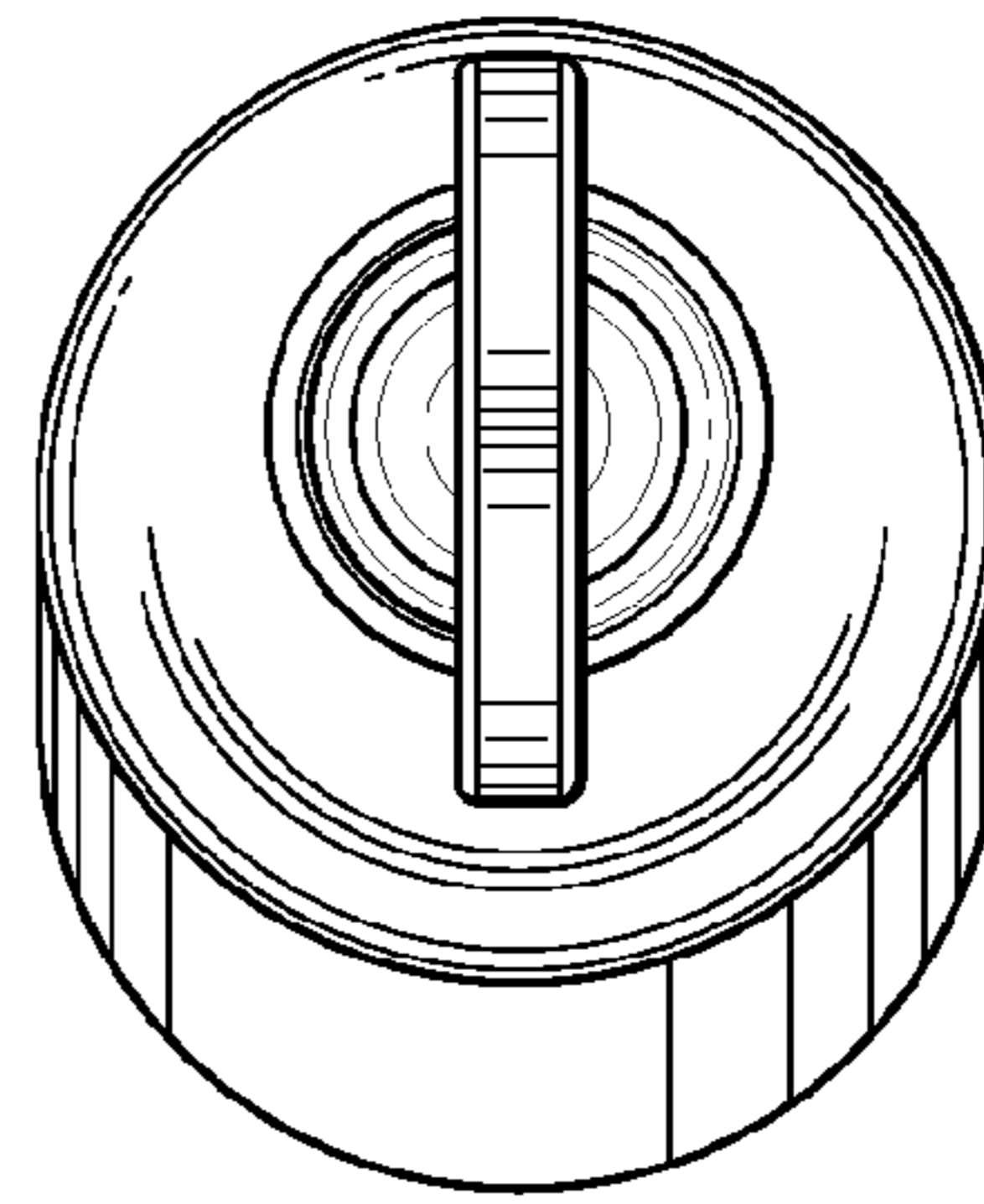


Fig. 5.

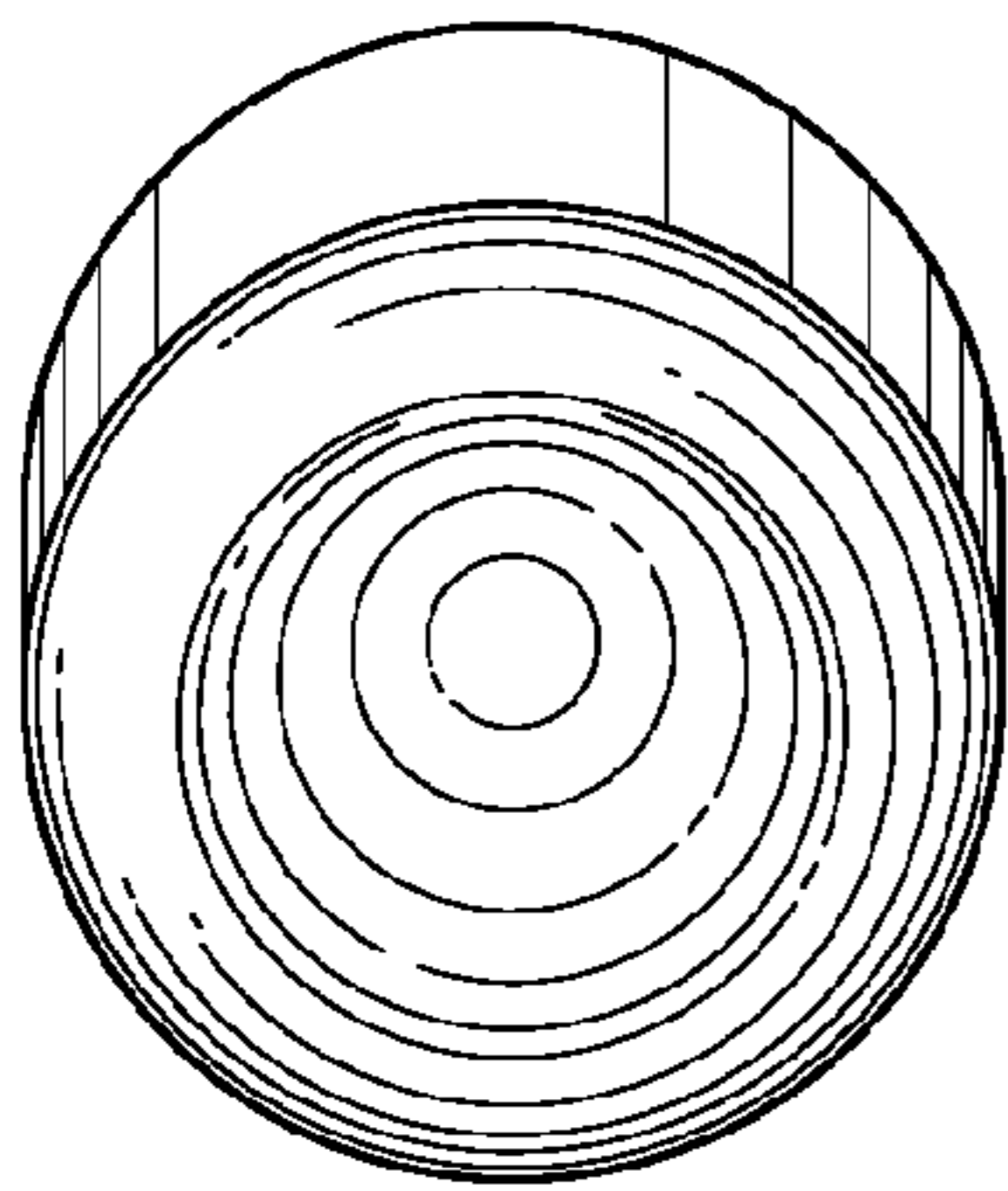


Fig. 6.