



US00D592058S

(12) **United States Design Patent**
Rapaport

(10) **Patent No.:** **US D592,058 S**
(45) **Date of Patent:** **** May 12, 2009**

(54) **BEVERAGE CAN HANDLE**

(75) Inventor: **Jaime Rapaport**, Laredo, TX (US)

(73) Assignee: **J & A Rapaport**, Laredo, TX (US)

(**) Term: **14 Years**

(21) Appl. No.: **29/280,649**

(22) Filed: **Jun. 4, 2007**

(51) **LOC (9) Cl.** **09-07**

(52) **U.S. Cl.** **D9/455; D7/622**

(58) **Field of Classification Search** D9/517,
D9/455, 443, 434; D8/396, 395, 354, 349,
D8/34, 33; D7/622, 396.2, 394; 30/450;
294/33, 27.1, 2; 248/312, 311.2; 220/742;
215/396, 395

See application file for complete search history.

(56) **References Cited**

U.S. PATENT DOCUMENTS

D154,588 S * 7/1949 Collins D7/622

(Continued)

Primary Examiner—Susan Bennett Hattan

(74) *Attorney, Agent, or Firm*—Vinson & Elkins LLP

(57) **CLAIM**

I claim the ornamental design for a beverage can handle, as shown and described.

DESCRIPTION

FIG. 1 is a perspective view of my beverage can handle design.

FIG. 2 is an alternate perspective view of my beverage can handle design.

FIG. 3 is a front elevation of my beverage can handle design.

FIG. 4 is a rear elevation of my beverage can handle design.

FIG. 5 is a top plan view of my beverage can handle design.

FIG. 6 is a bottom plan view of my beverage can handle design.

FIG. 7 is a right side elevation of my beverage can handle design.

FIG. 8 is a left side elevation my beverage can handle design.

FIG. 9 is a perspective view a second embodiment of my beverage can handle design.

FIG. 10 is an alternate perspective view a second embodiment of my beverage can handle design.

FIG. 11 is a front elevation of a second embodiment of my beverage can handle design.

FIG. 12 is a rear elevation of a second embodiment of my beverage can handle design.

FIG. 13 is a top plan view of a second embodiment of my beverage can handle design.

FIG. 14 is a bottom plan view of a second embodiment of my beverage can handle design.

FIG. 15 is a right side elevation of a second embodiment of my beverage can handle design.

FIG. 16 is a left side elevation of a second embodiment of my beverage can handle design.

FIG. 17 is a perspective view a third embodiment of my beverage can handle design.

FIG. 18 is an alternate perspective view a third embodiment of my beverage can handle design.

FIG. 19 is a front elevation of a third embodiment of my beverage can handle design.

FIG. 20 is a rear elevation of a third embodiment of my beverage can handle design.

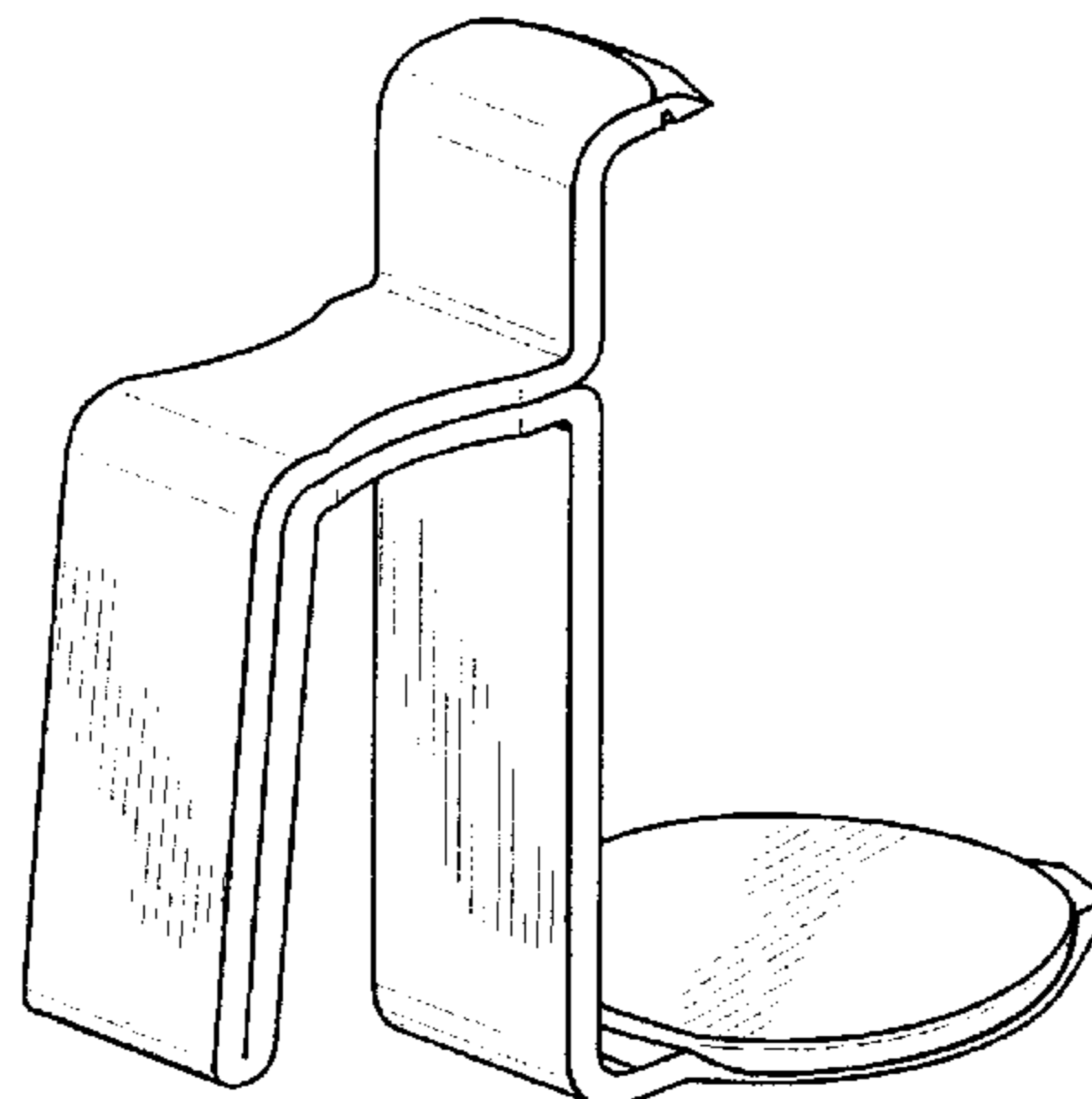
FIG. 21 is a top plan view of a third embodiment of my beverage can handle design.

FIG. 22 is a bottom plan view of a third embodiment of my beverage can handle design.

FIG. 23 is a right side elevation of a third embodiment of my beverage can handle design; and,

FIG. 24 is a left side elevation of a third embodiment of my beverage can handle design.

1 Claim, 11 Drawing Sheets



US D592,058 S

Page 2

U.S. PATENT DOCUMENTS

D174,432 S *	4/1955	Johnson	D7/622	D256,418 S *	8/1980	Corbett	D7/622
D178,085 S *	6/1956	Relly	D7/622	D264,927 S *	6/1982	Kurzius	D7/622
D182,590 S *	4/1958	Hendy	D7/622	D265,159 S *	6/1982	La Barbera	D7/622
D211,203 S *	5/1968	Anderson	D7/622	4,993,675 A *	2/1991	Walker	248/311.2
D215,748 S *	10/1969	Wallace	D7/622	D350,069 S *	8/1994	Quarberg et al.	D7/622
D251,766 S *	5/1979	Hammerschmidt	D7/622	D359,657 S *	6/1995	Davidson et al.	D7/622
					D362,371 S *	9/1995	Williams et al.	D7/622

* cited by examiner

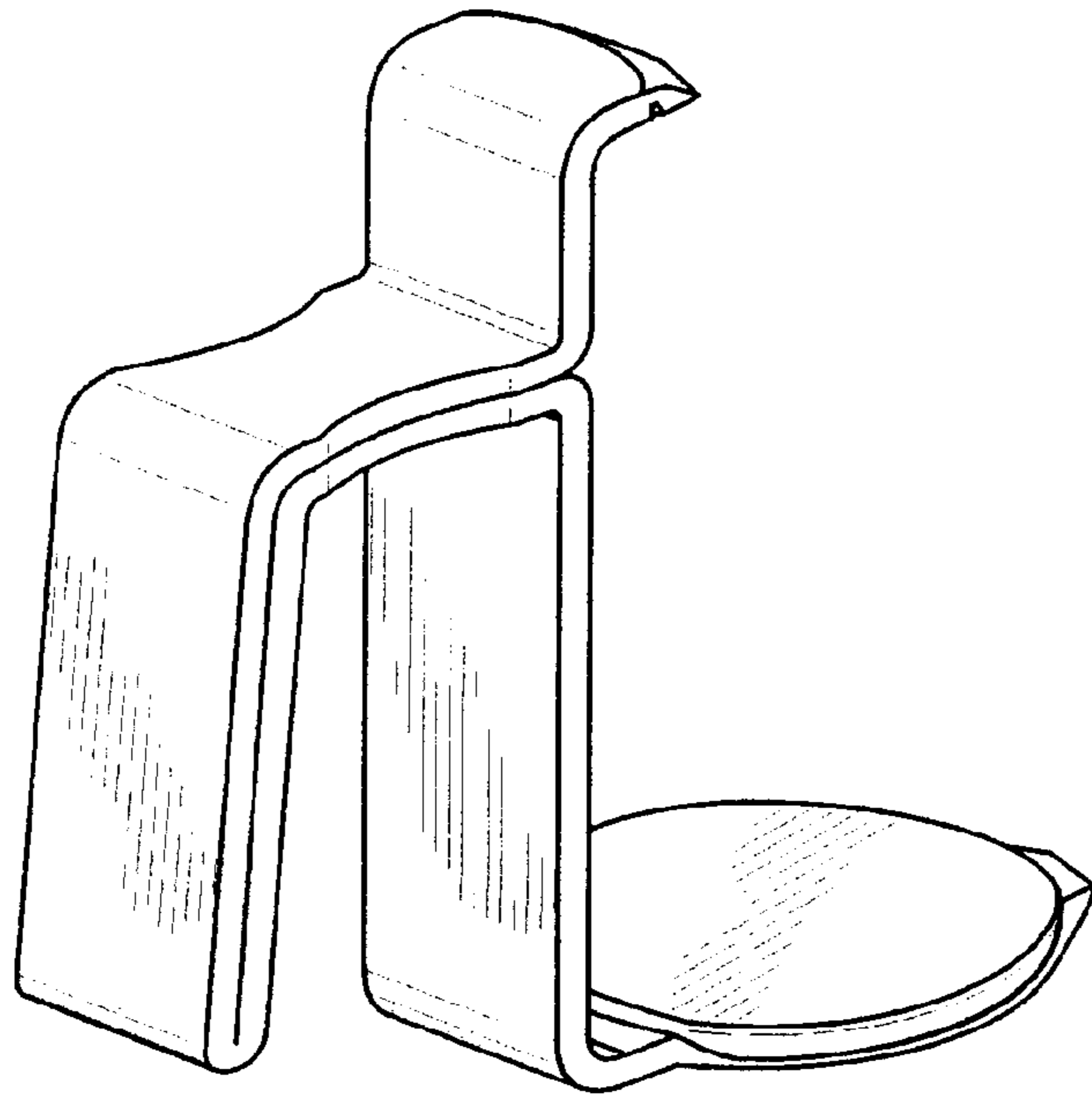


FIG. 1

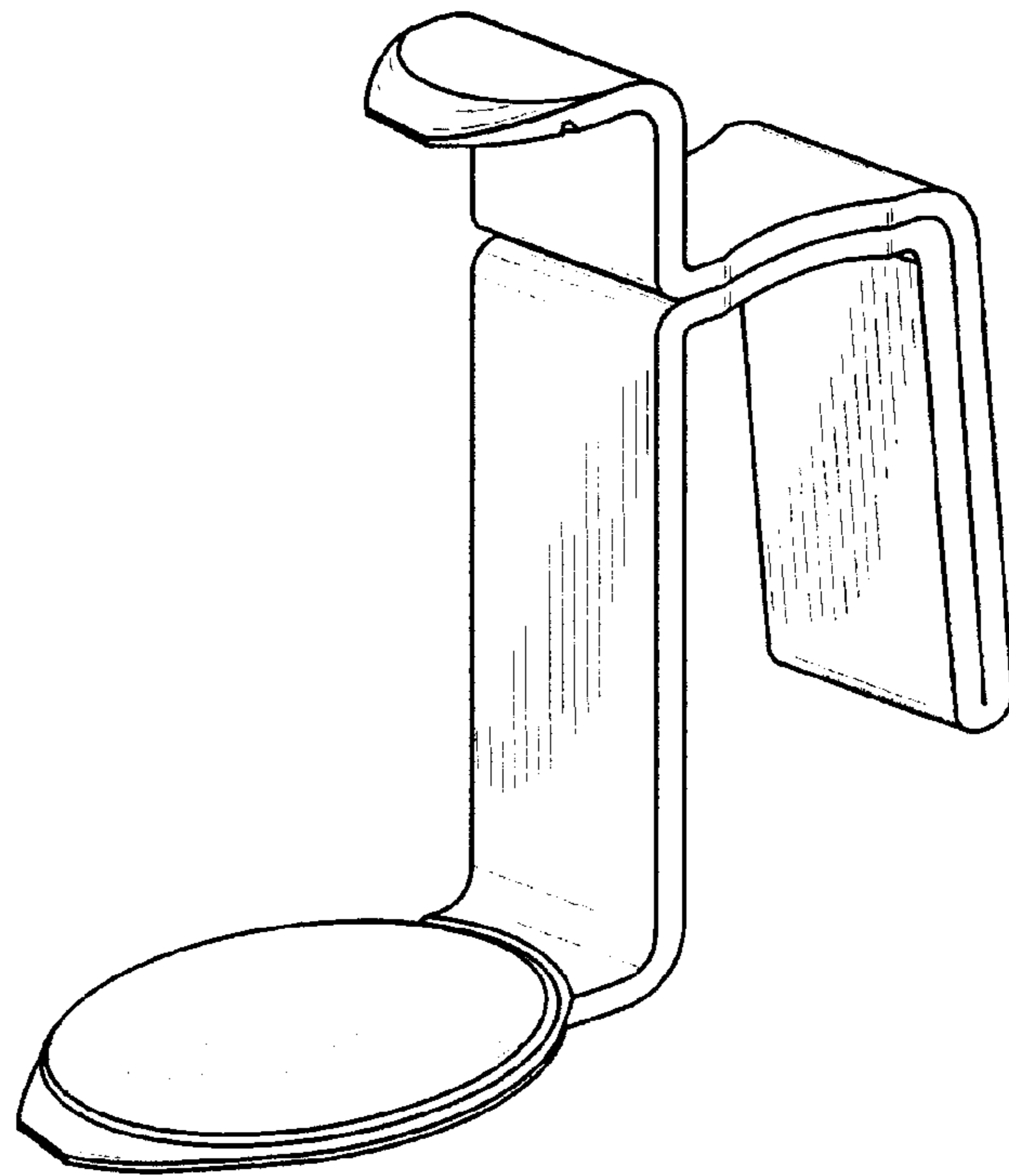


FIG. 2

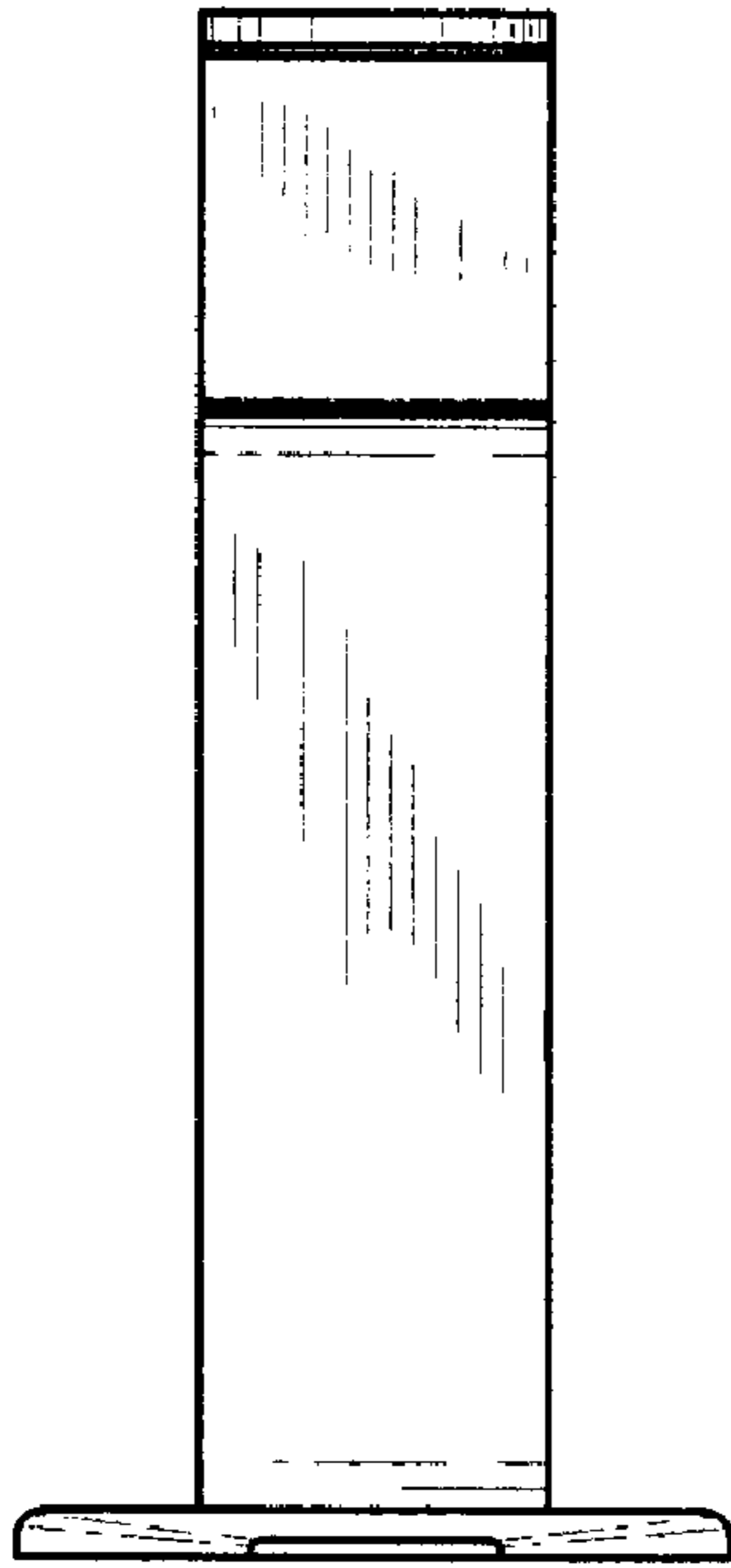


FIG. 3

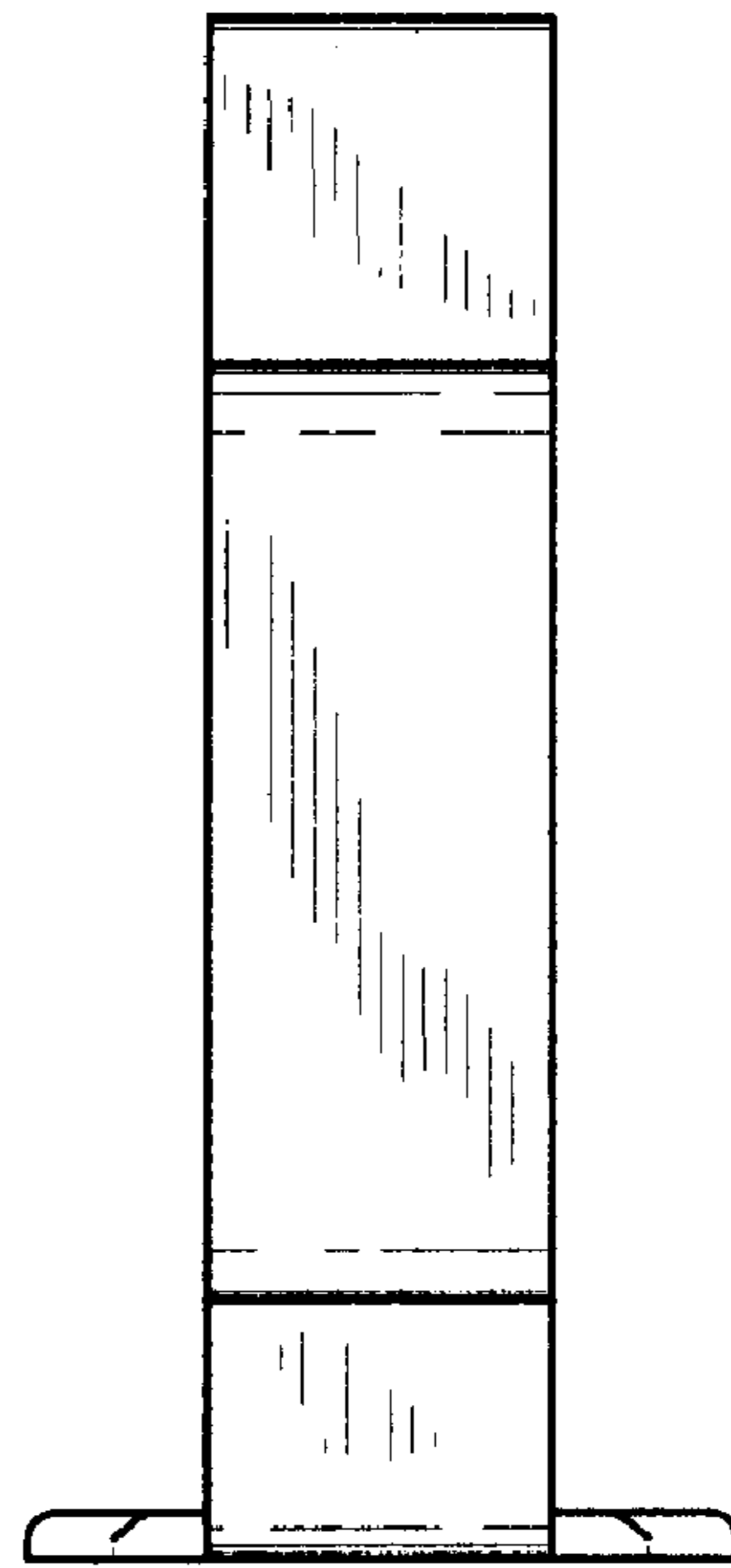


FIG. 4

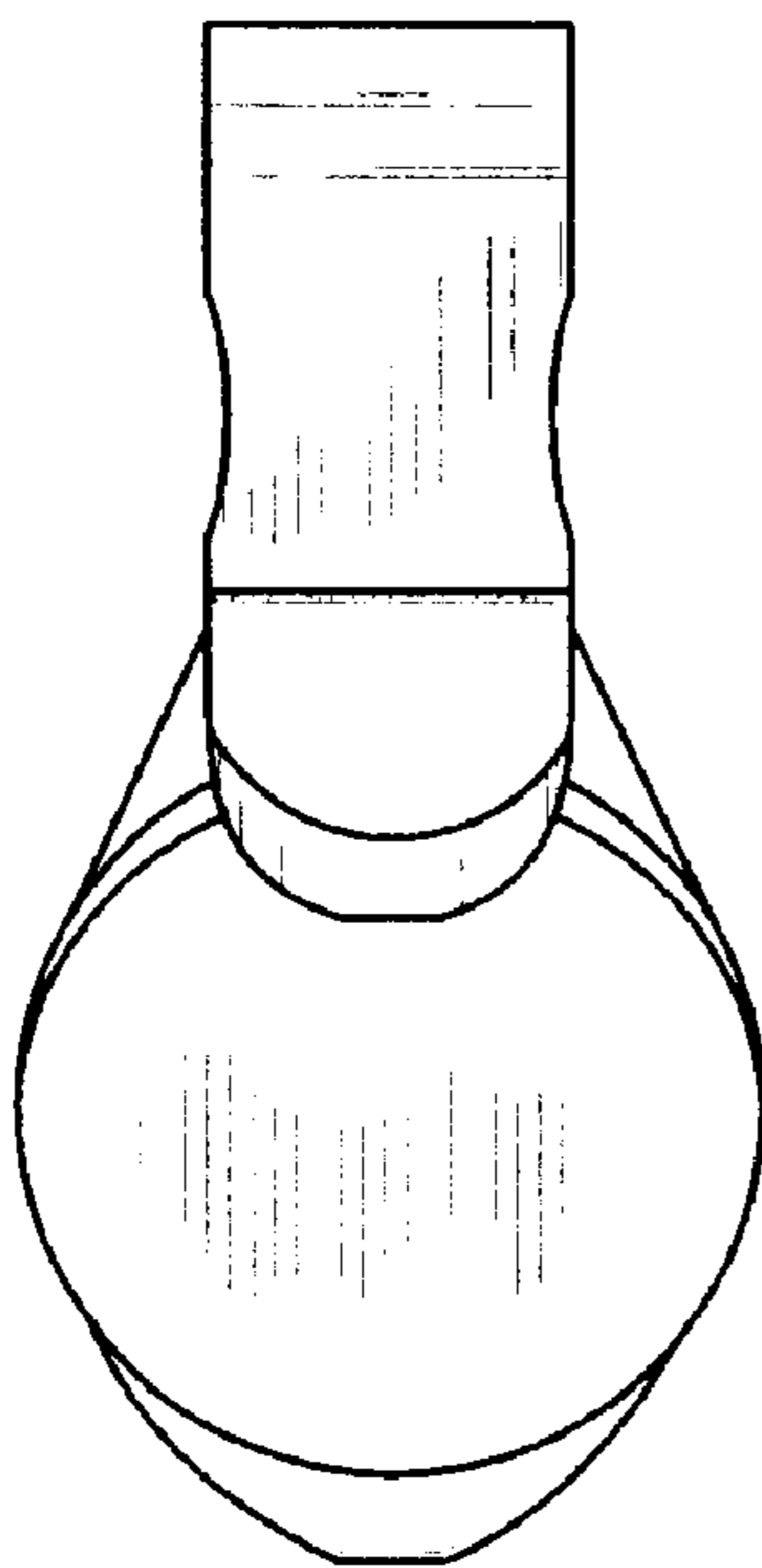


FIG. 5

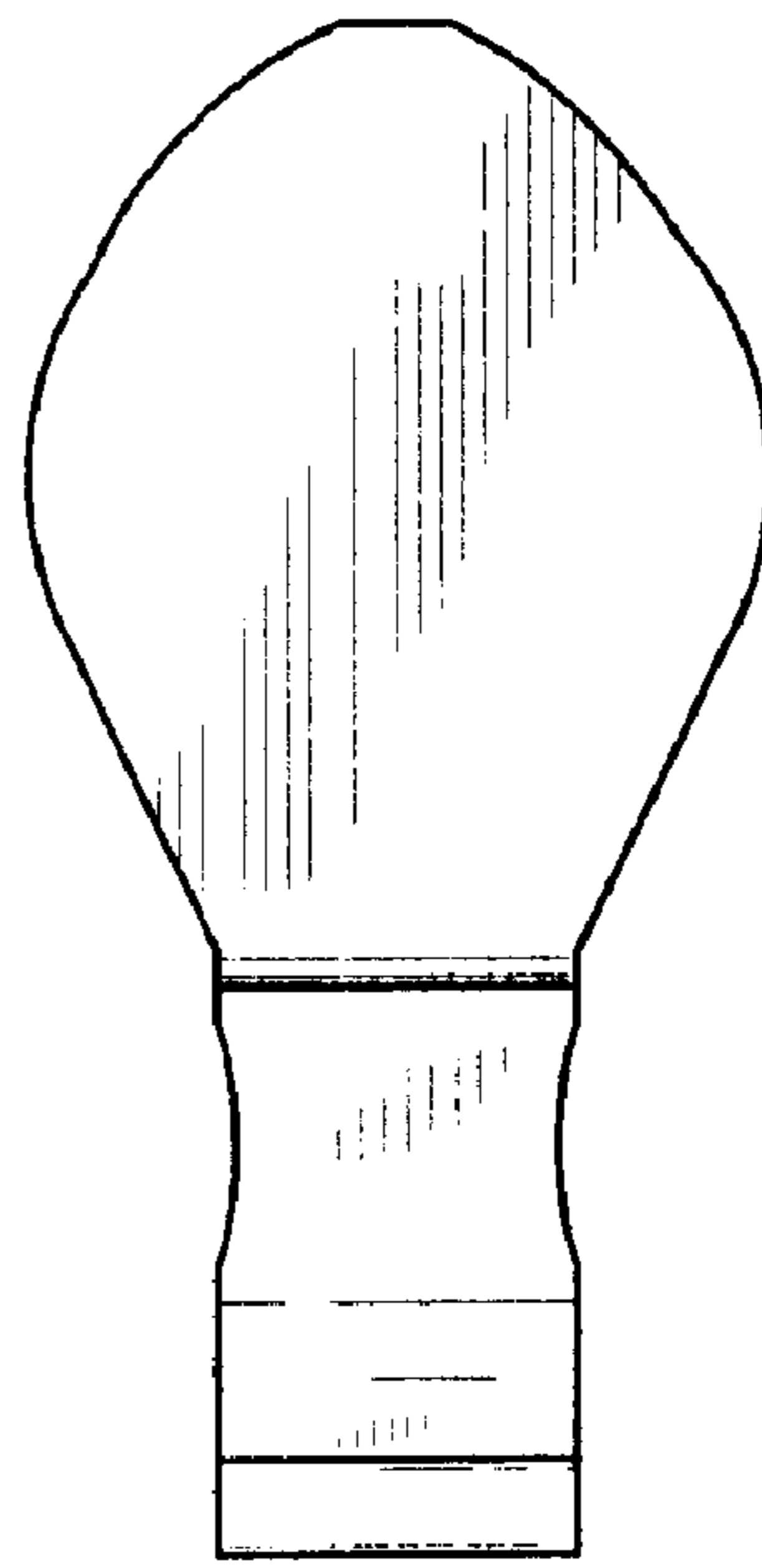


FIG. 6

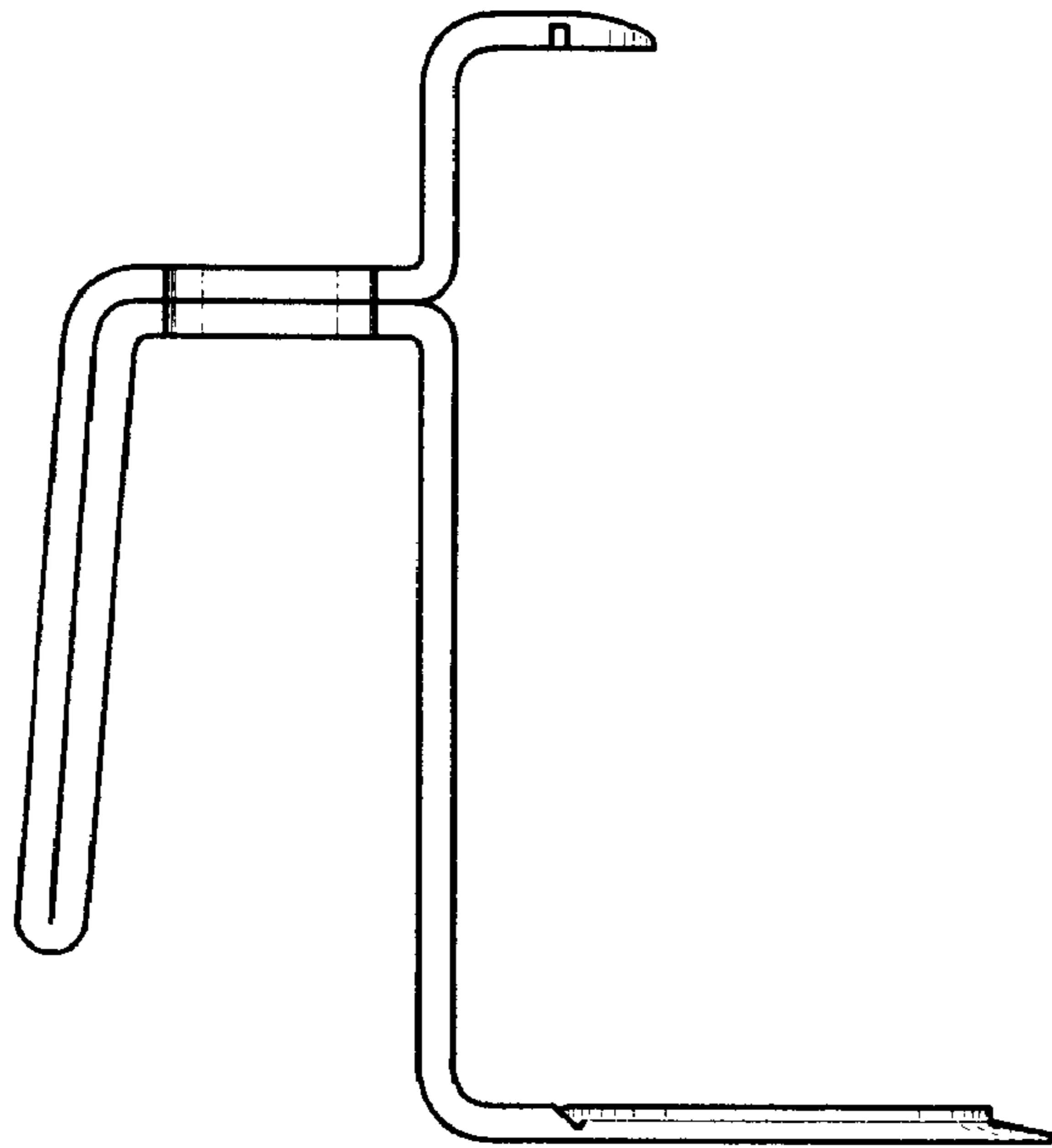


FIG. 7

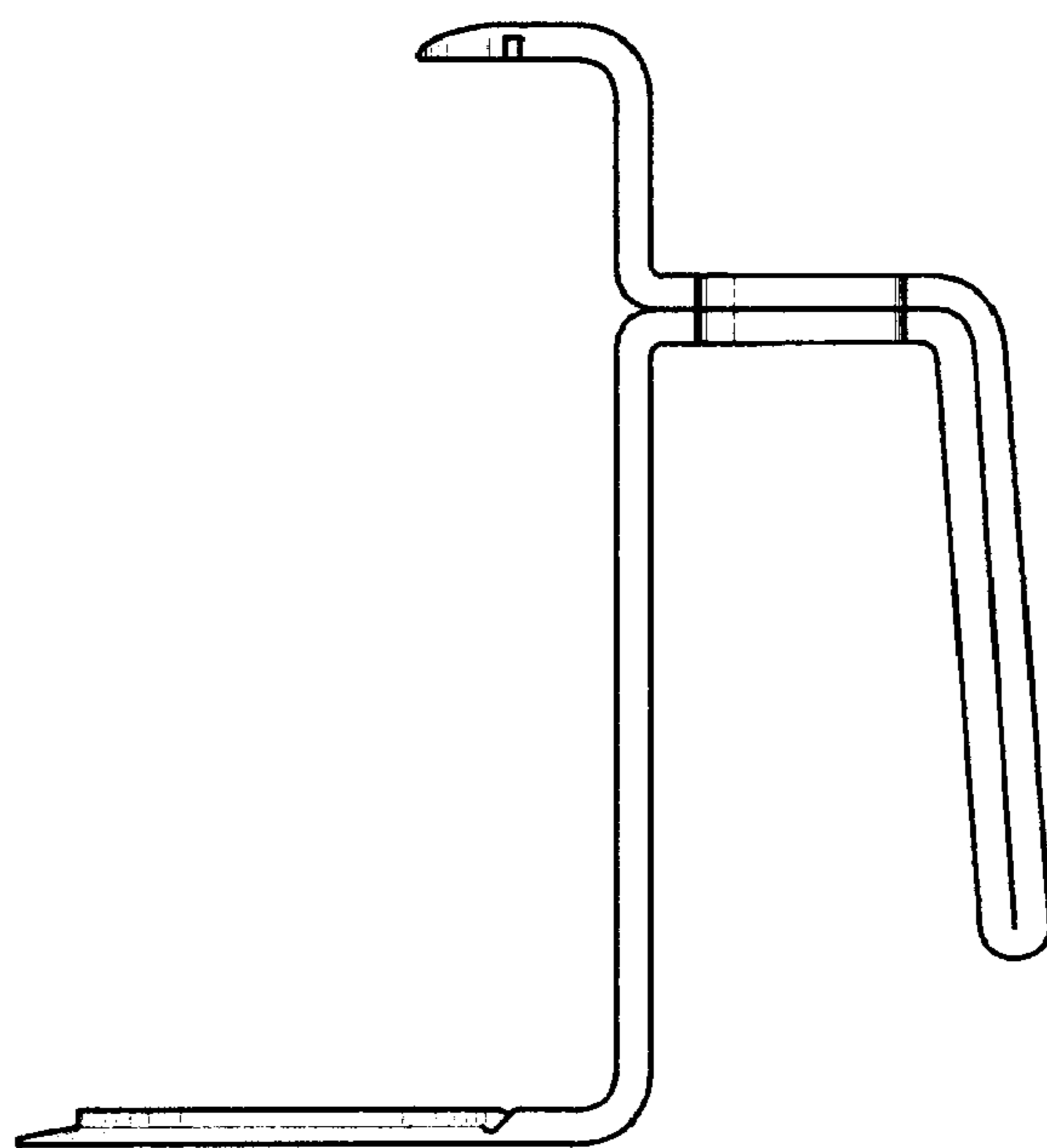


FIG. 8

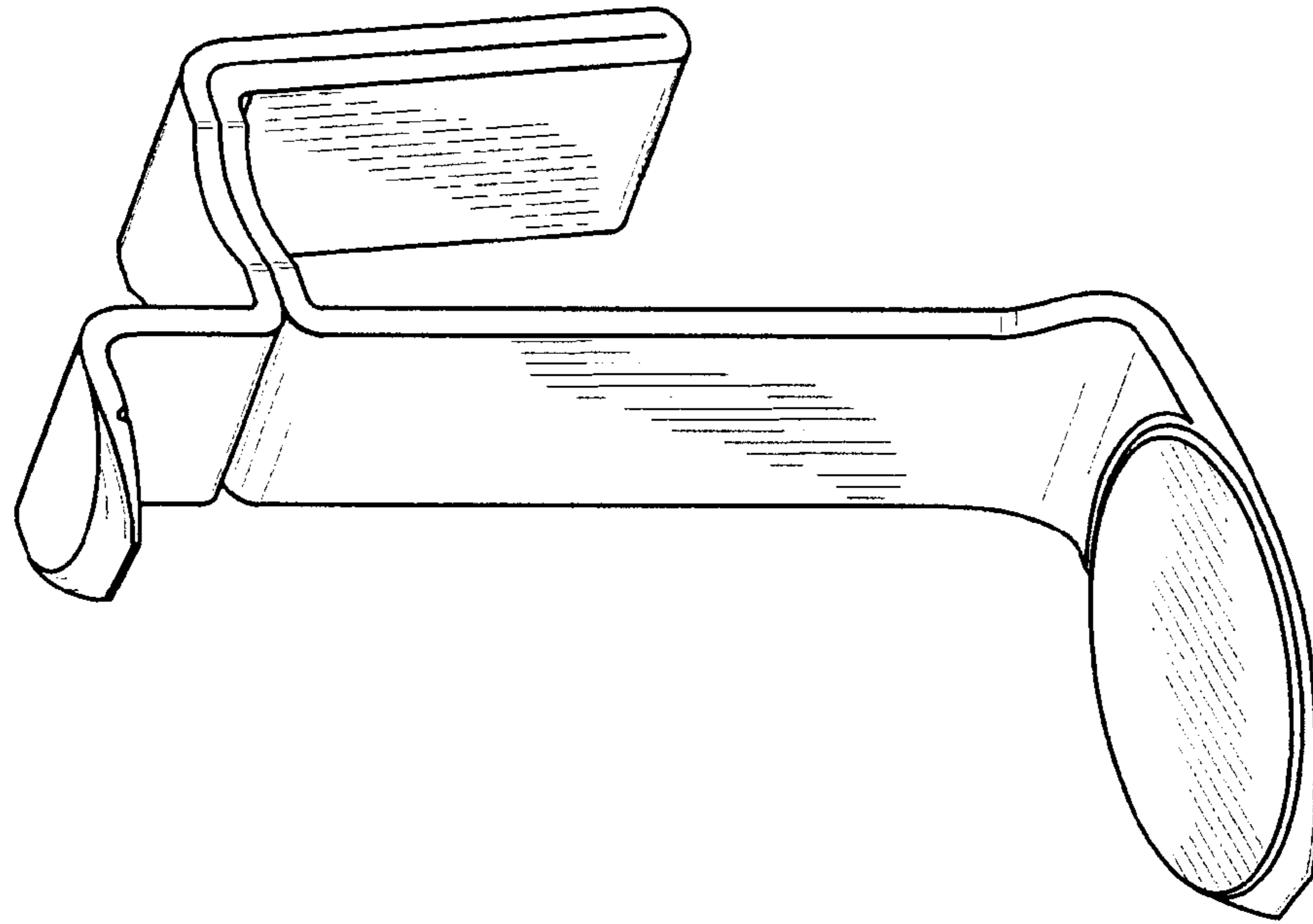


FIG. 9

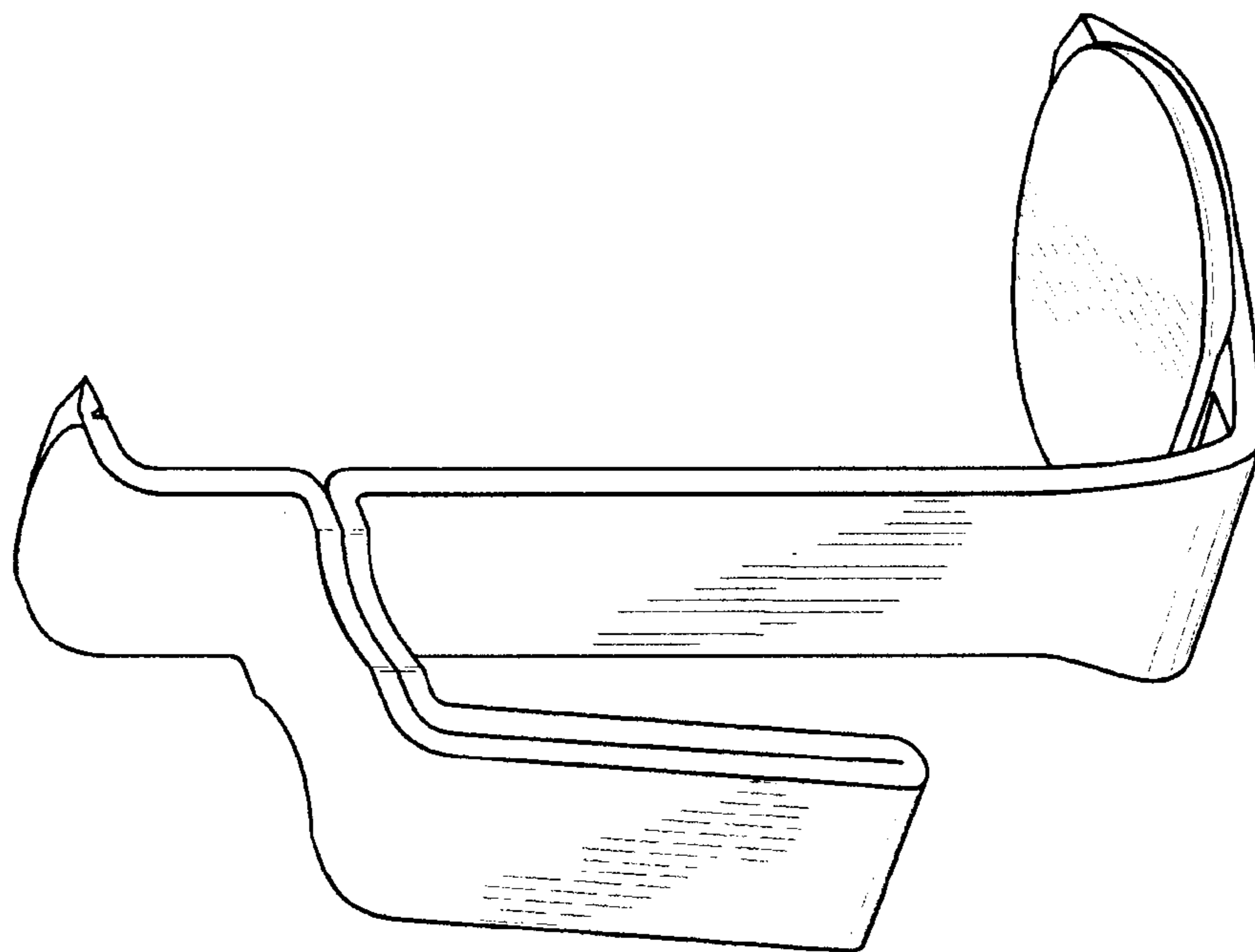


FIG. 10

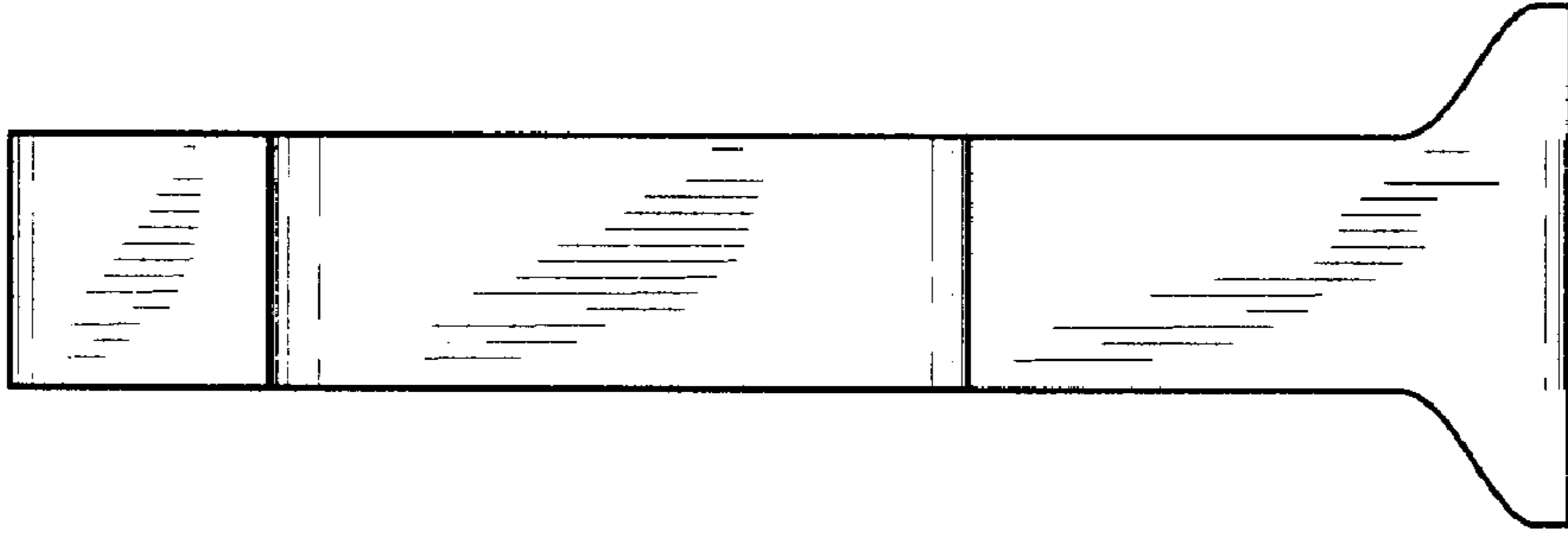


FIG. 11

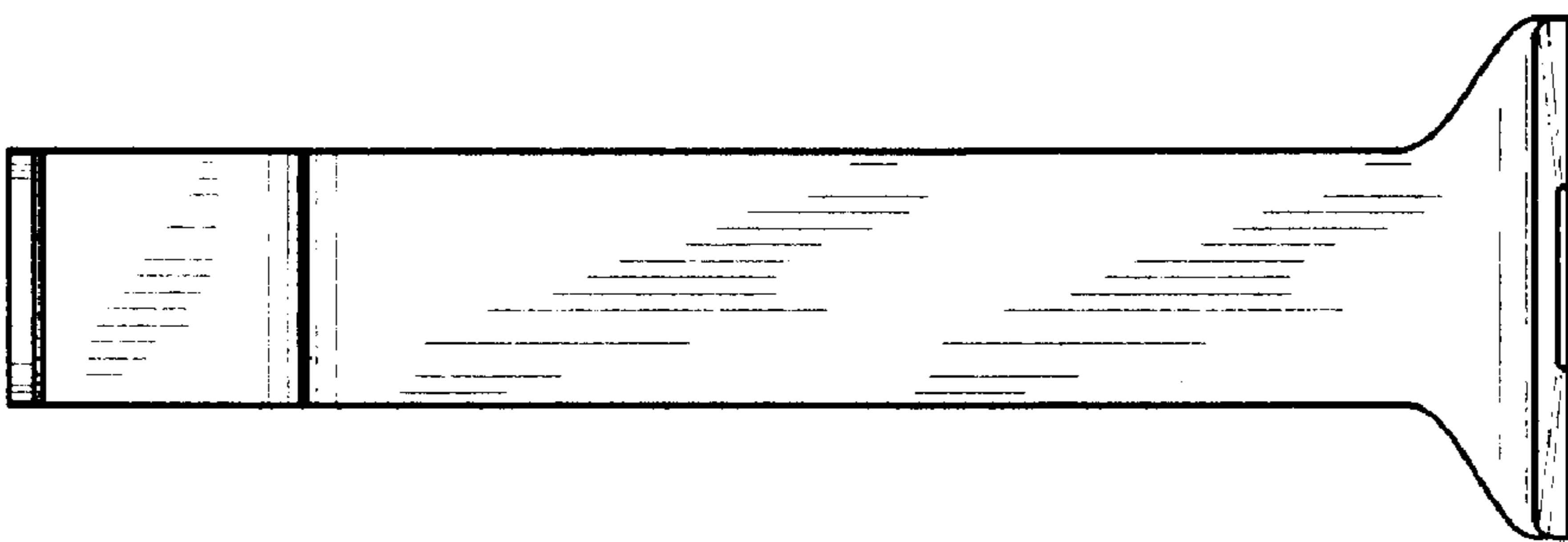


FIG. 12

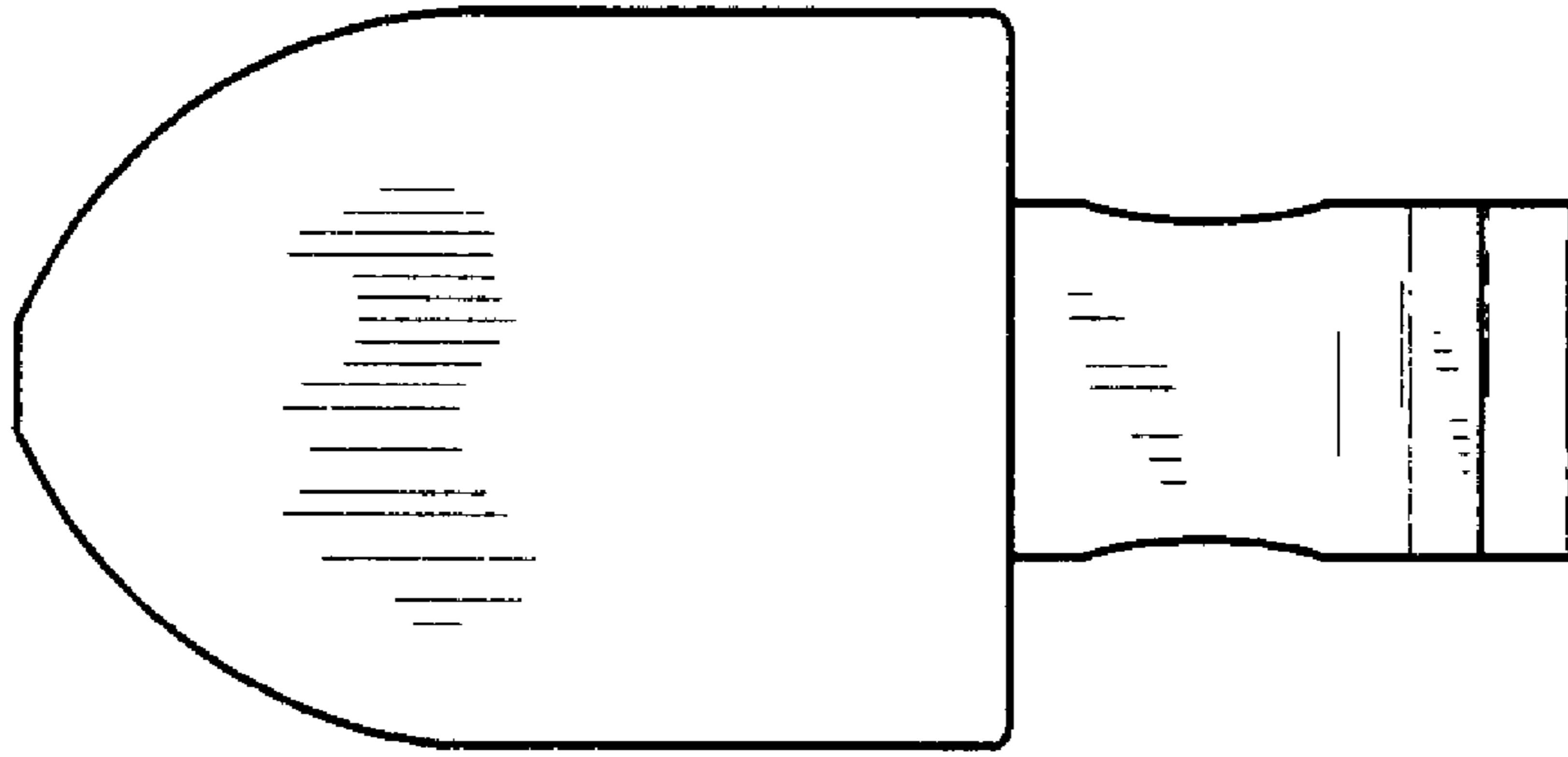


FIG. 13

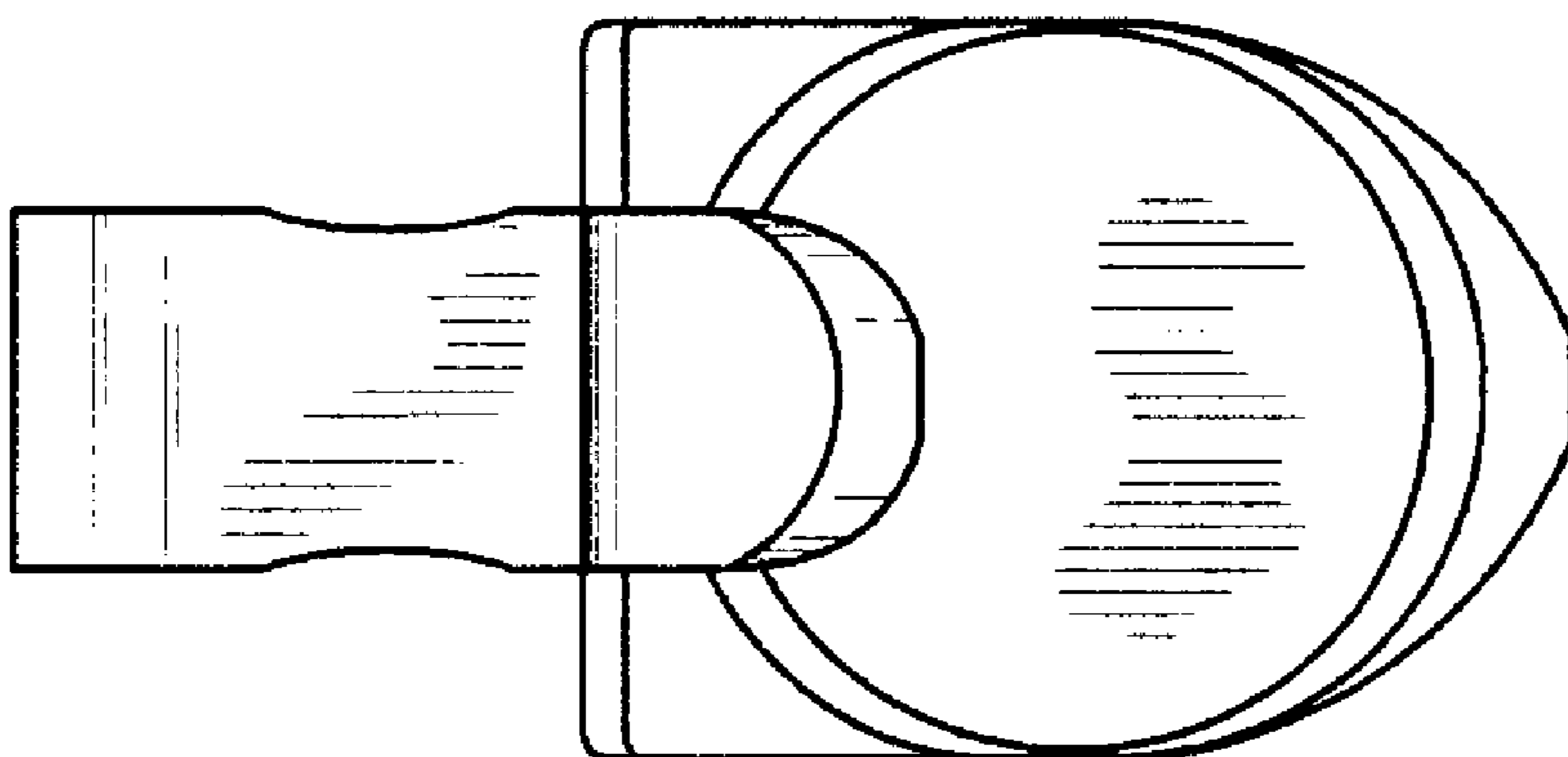


FIG. 14

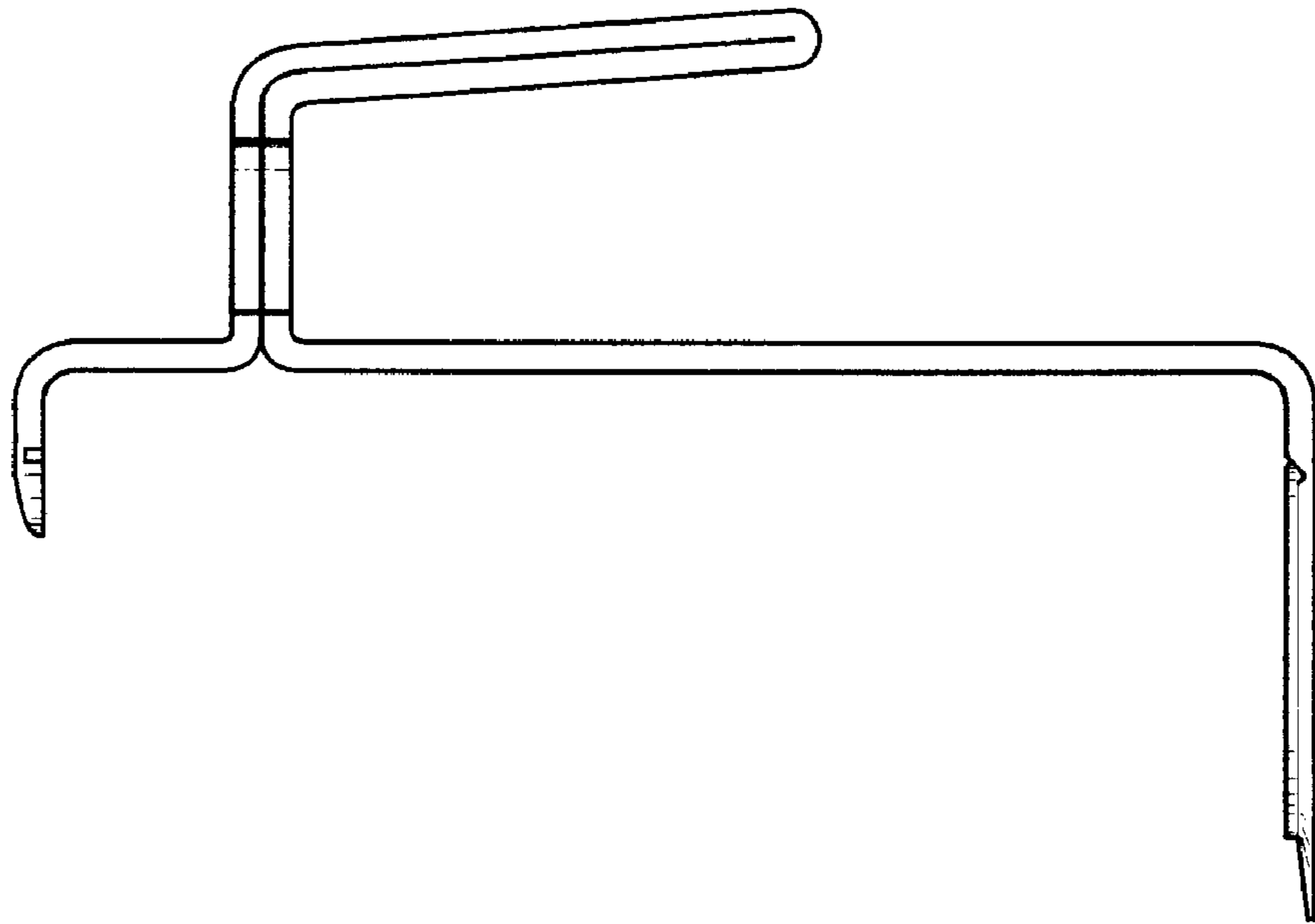


FIG. 16

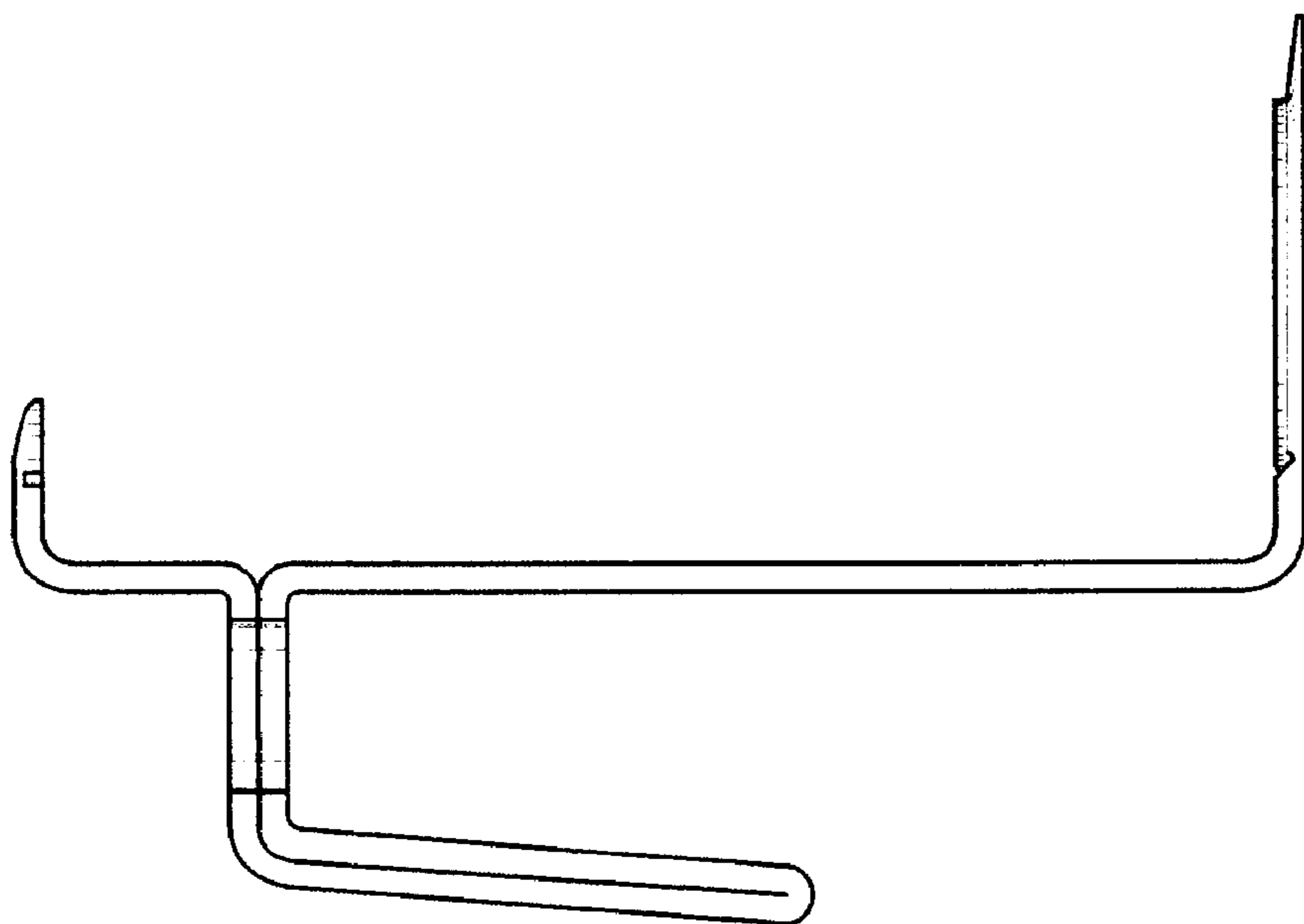


FIG. 15

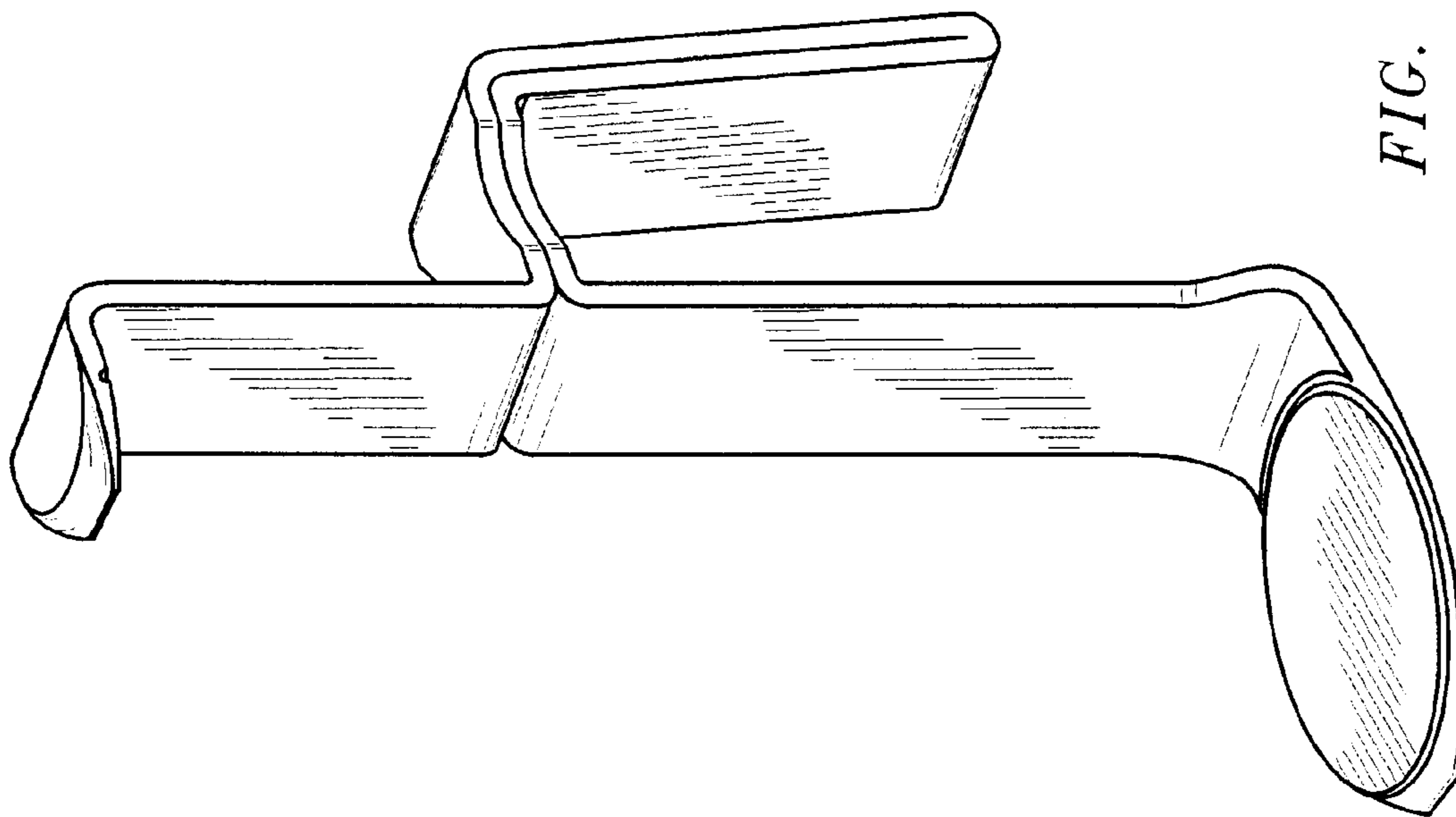


FIG. 18

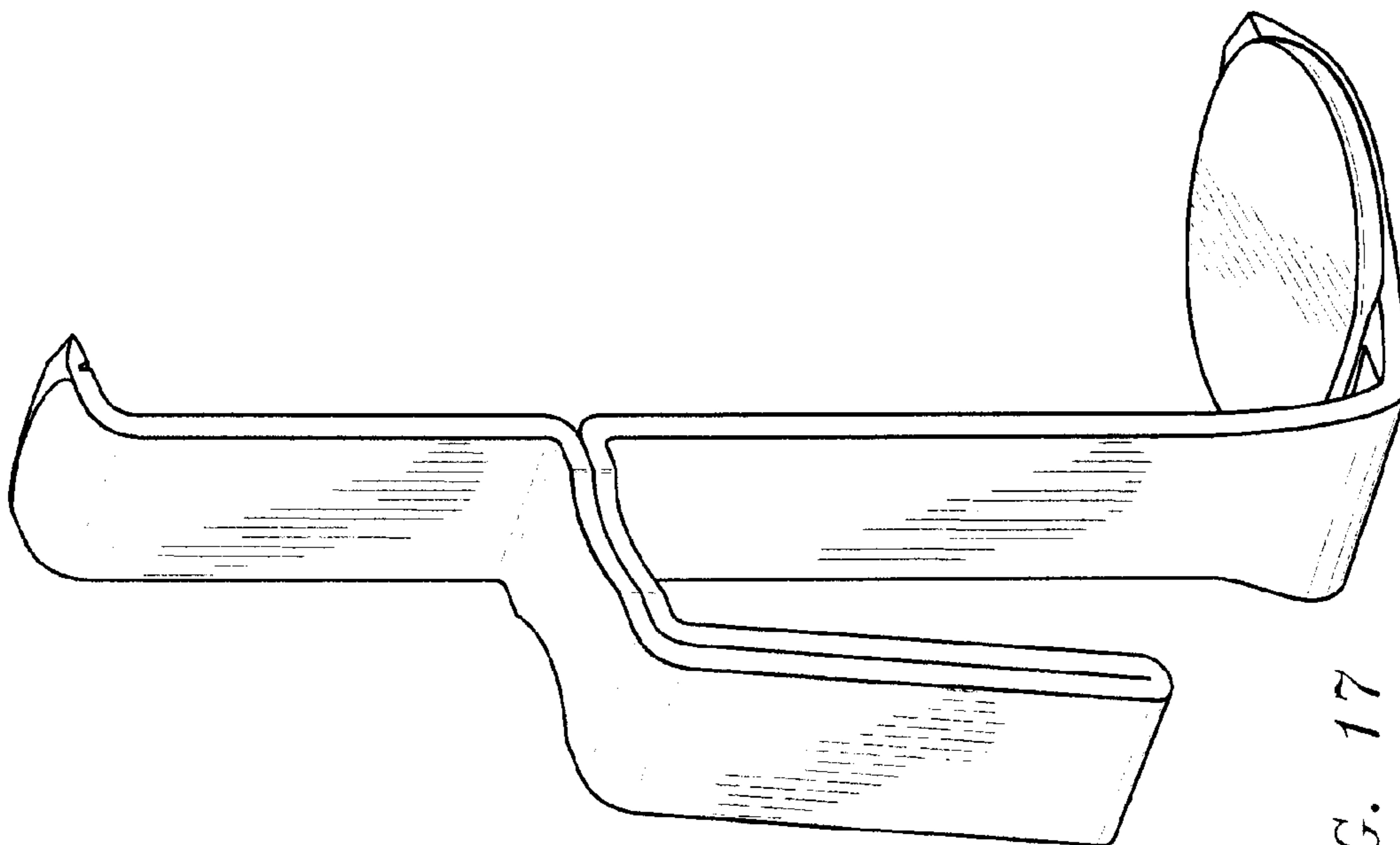


FIG. 17

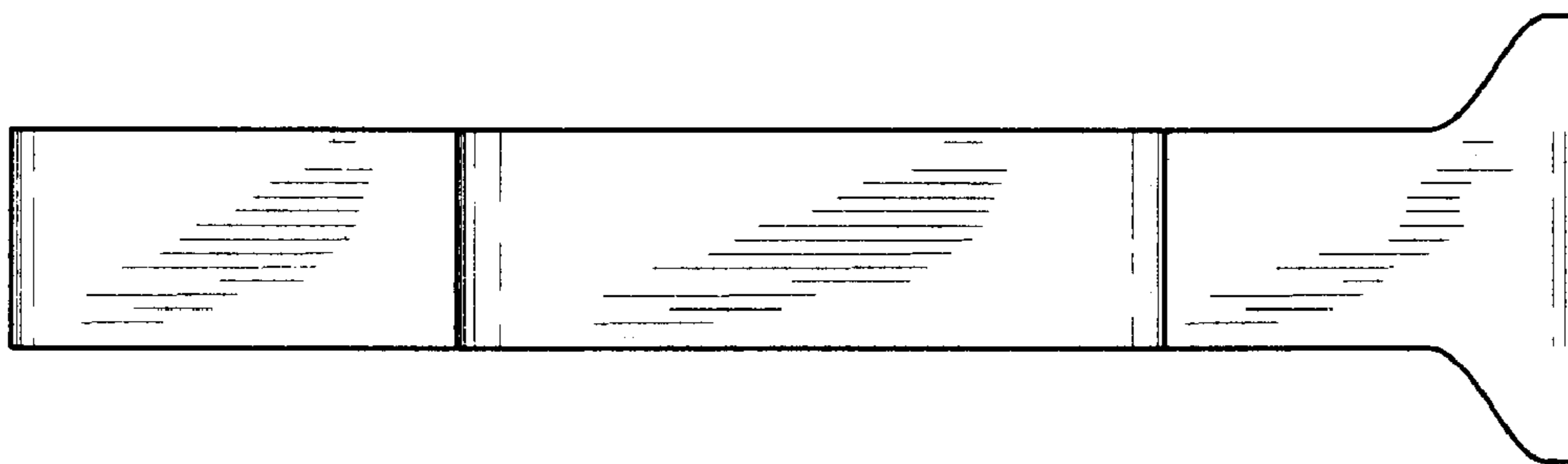


FIG. 20

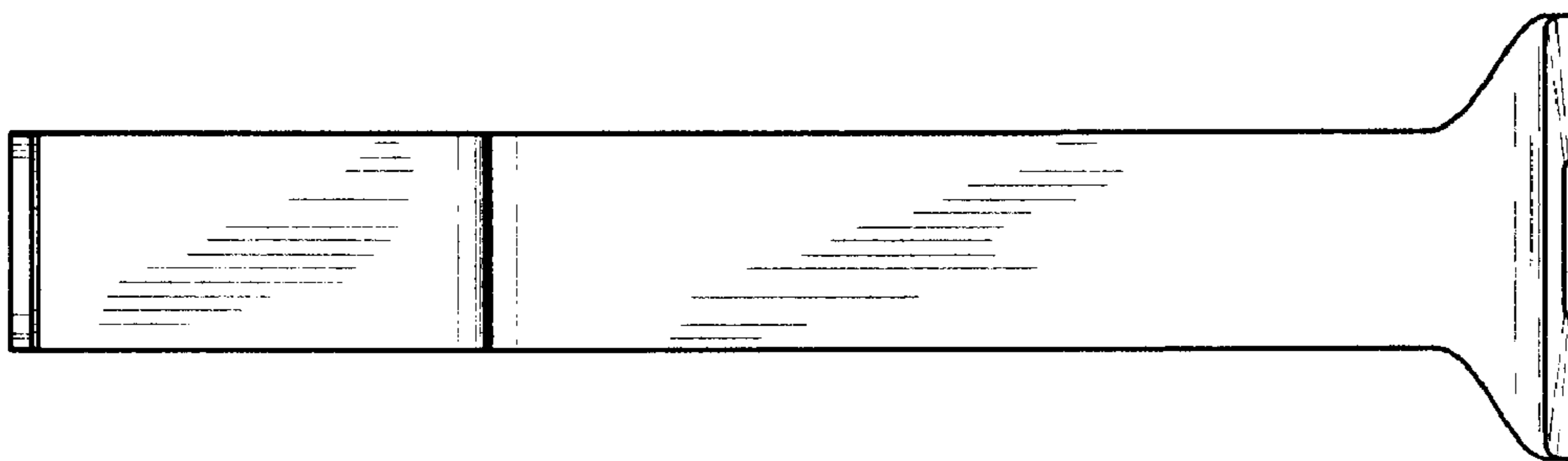


FIG. 19

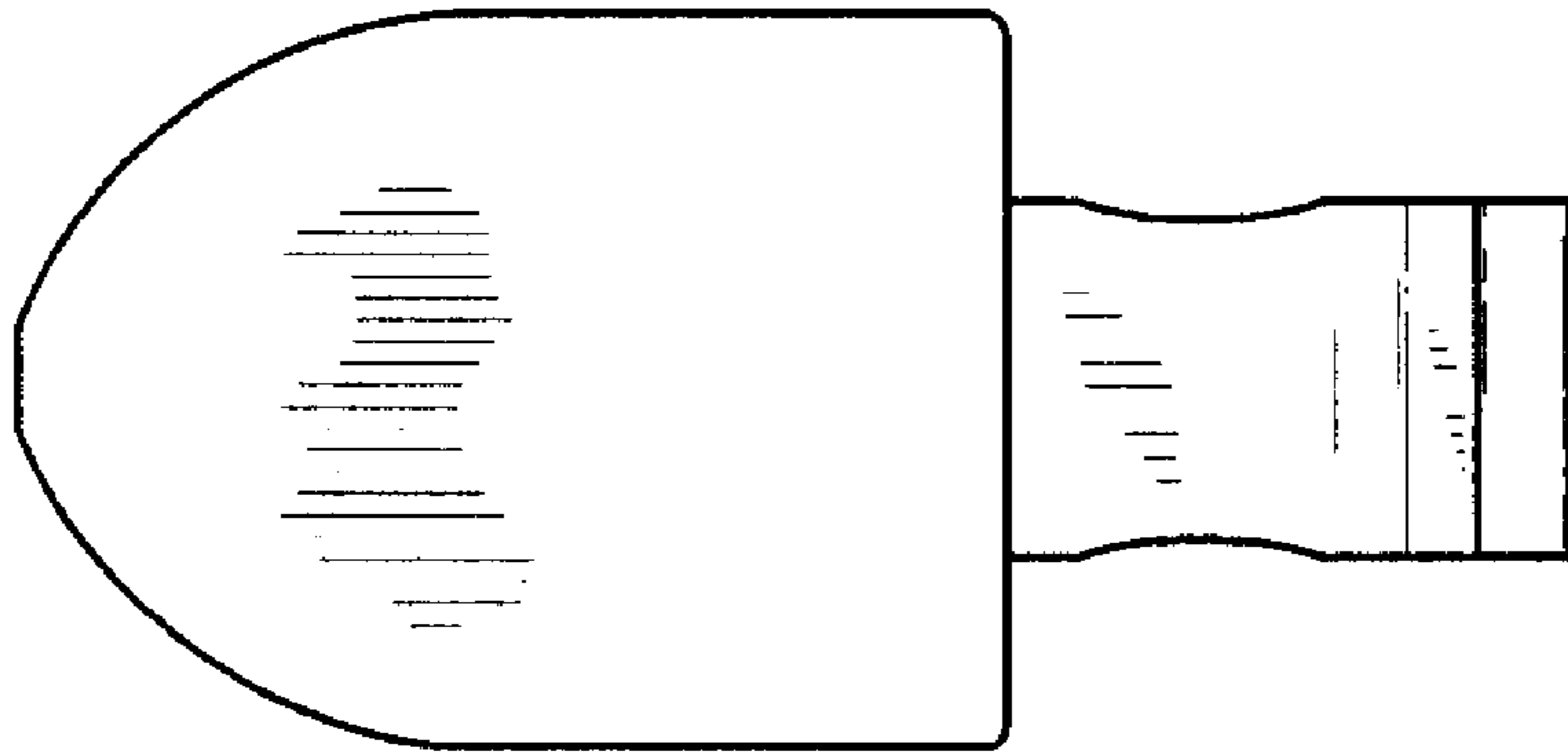


FIG. 22

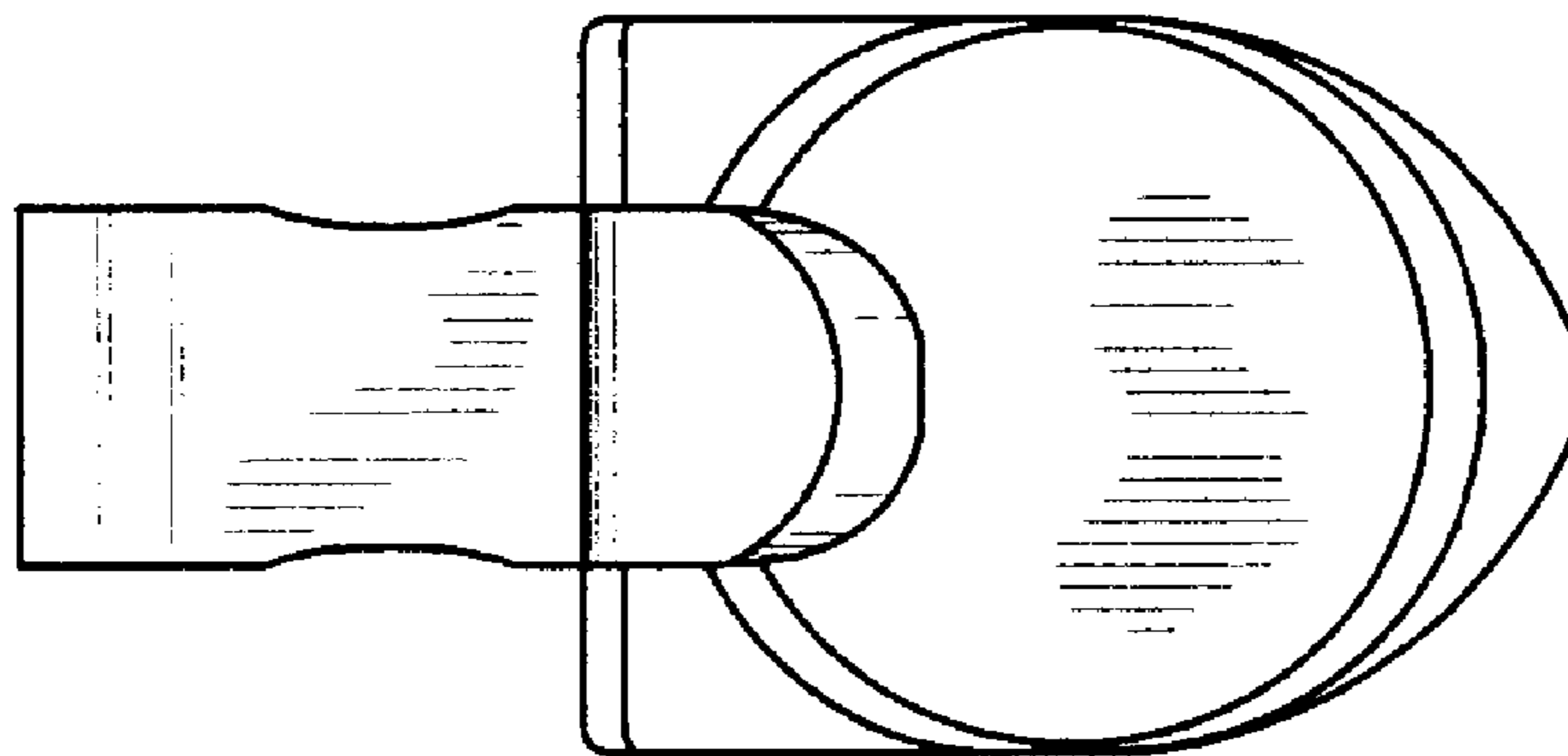


FIG. 21

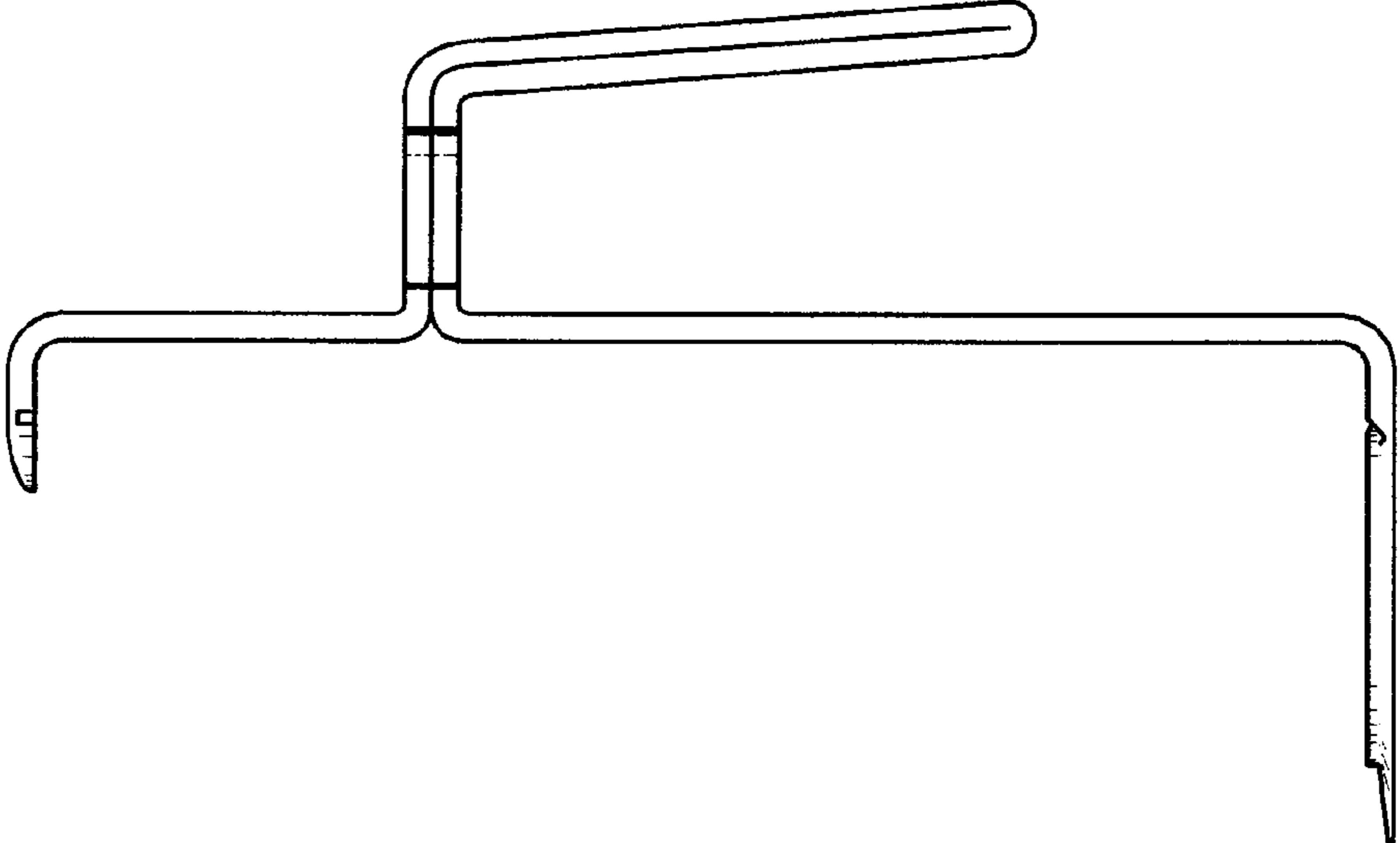


FIG. 24

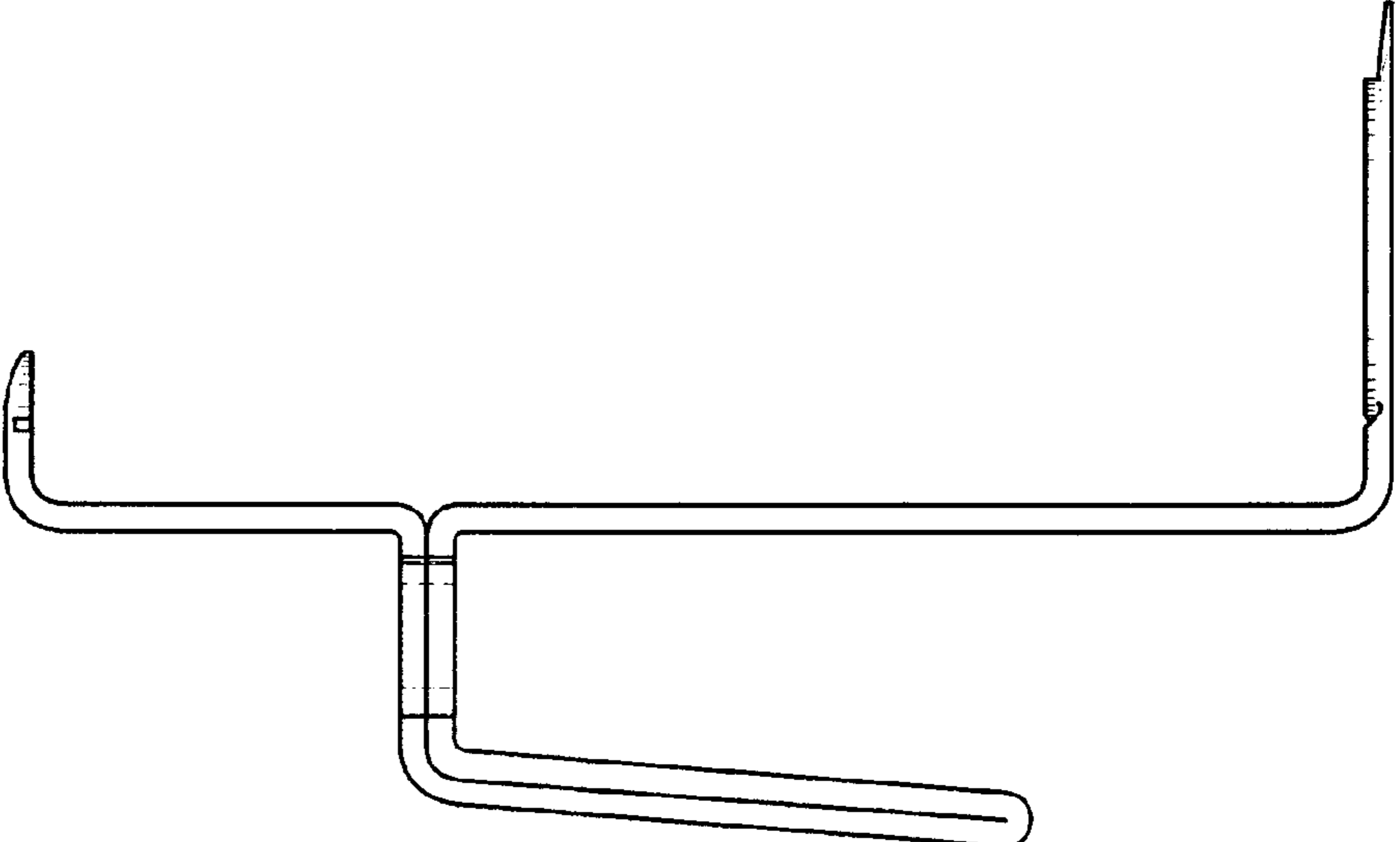


FIG. 23