



US00D592057S

(12) **United States Design Patent**
Guerin

(10) **Patent No.:** **US D592,057 S**
(45) **Date of Patent:** **** May 12, 2009**

(54) **CLOSURE**

(75) Inventor: **Fabrice Guerin**, Lyons (FR)

(73) Assignee: **Obrist Closures Switzerland GmbH**,
Reinach BL (CH)

(**) Term: **14 Years**

(21) Appl. No.: **29/323,345**

(22) Filed: **Aug. 22, 2008**

(30) **Foreign Application Priority Data**

Apr. 11, 2008 (EP) 000919717

(51) **LOC (9) Cl.** **09-07**

(52) **U.S. Cl.** **D9/449; D9/453**

(58) **Field of Classification Search** D9/716,
D9/715, 454, 453, 452, 450, 449, 447, 446,
D9/443, 438, 436, 435, 434; D7/643, 638,
D7/505, 396.2, 392, 392.1, 305; 426/120;
229/404, 401; 222/556, 480; 220/810, 713,
220/375, 254.1–254.9; 215/236, 235; 206/807

See application file for complete search history.

(56) **References Cited**

U.S. PATENT DOCUMENTS

6,821,239 B2 * 11/2004 Hierzer et al. 493/344
D580,264 S * 11/2008 Szasz D9/447
D581,790 S * 12/2008 Hyde et al. D9/449

* cited by examiner

Primary Examiner—Susan Bennett Hattan

(74) *Attorney, Agent, or Firm*—McAndrews, Held & Malloy,
Ltd.

(57) **CLAIM**

The ornamental design for a closure, as shown and described.

DESCRIPTION

FIG. 1 is a front right top perspective view of a closure showing my new design;

FIG. 2 is a front elevation view thereof;

FIG. 3 is a right side elevation view thereof, the left side being a mirror image;

FIG. 4 is a rear elevation view thereof; and,

FIG. 5 is a top plan view thereof.

1 Claim, 5 Drawing Sheets

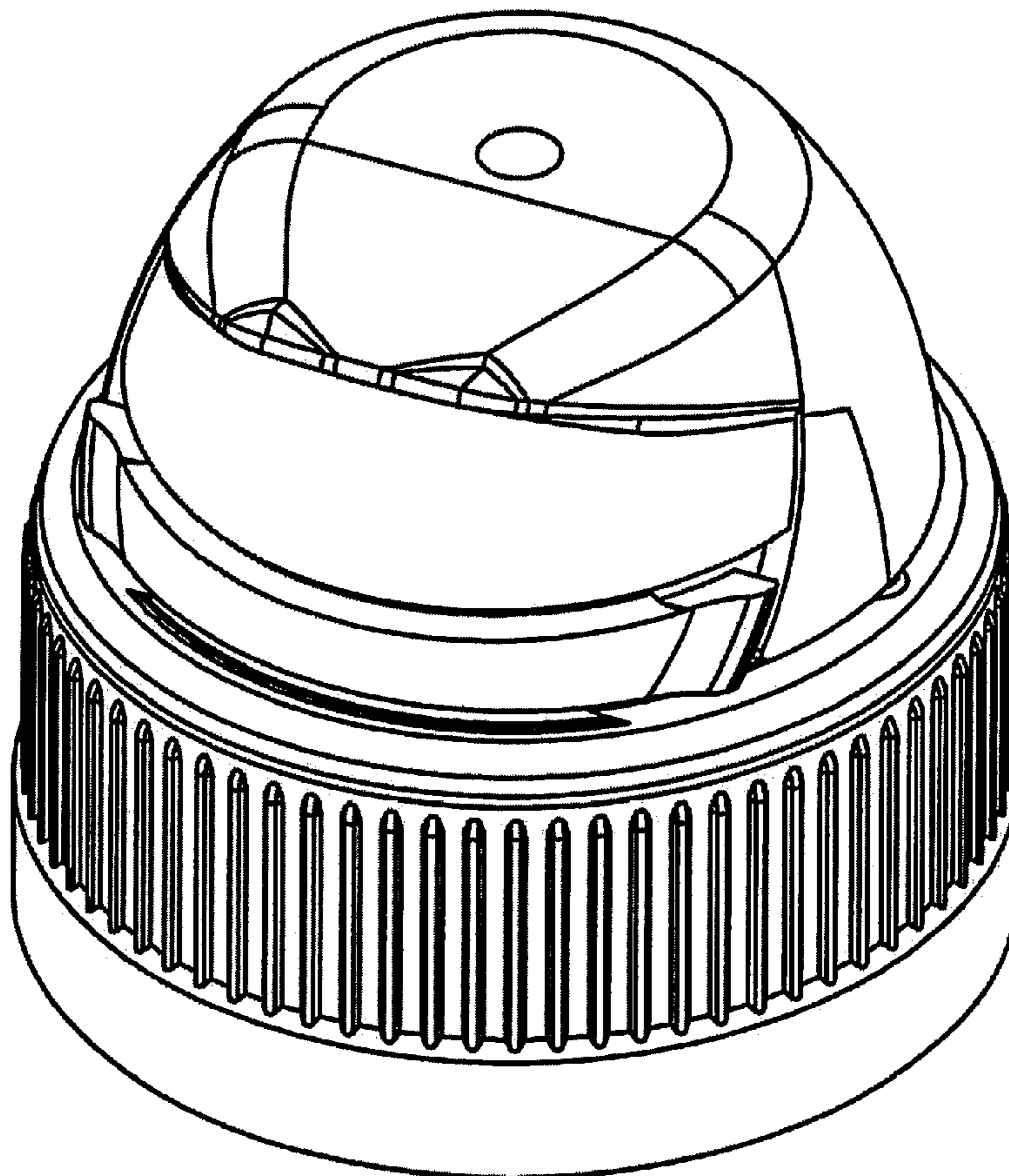


Fig. 1

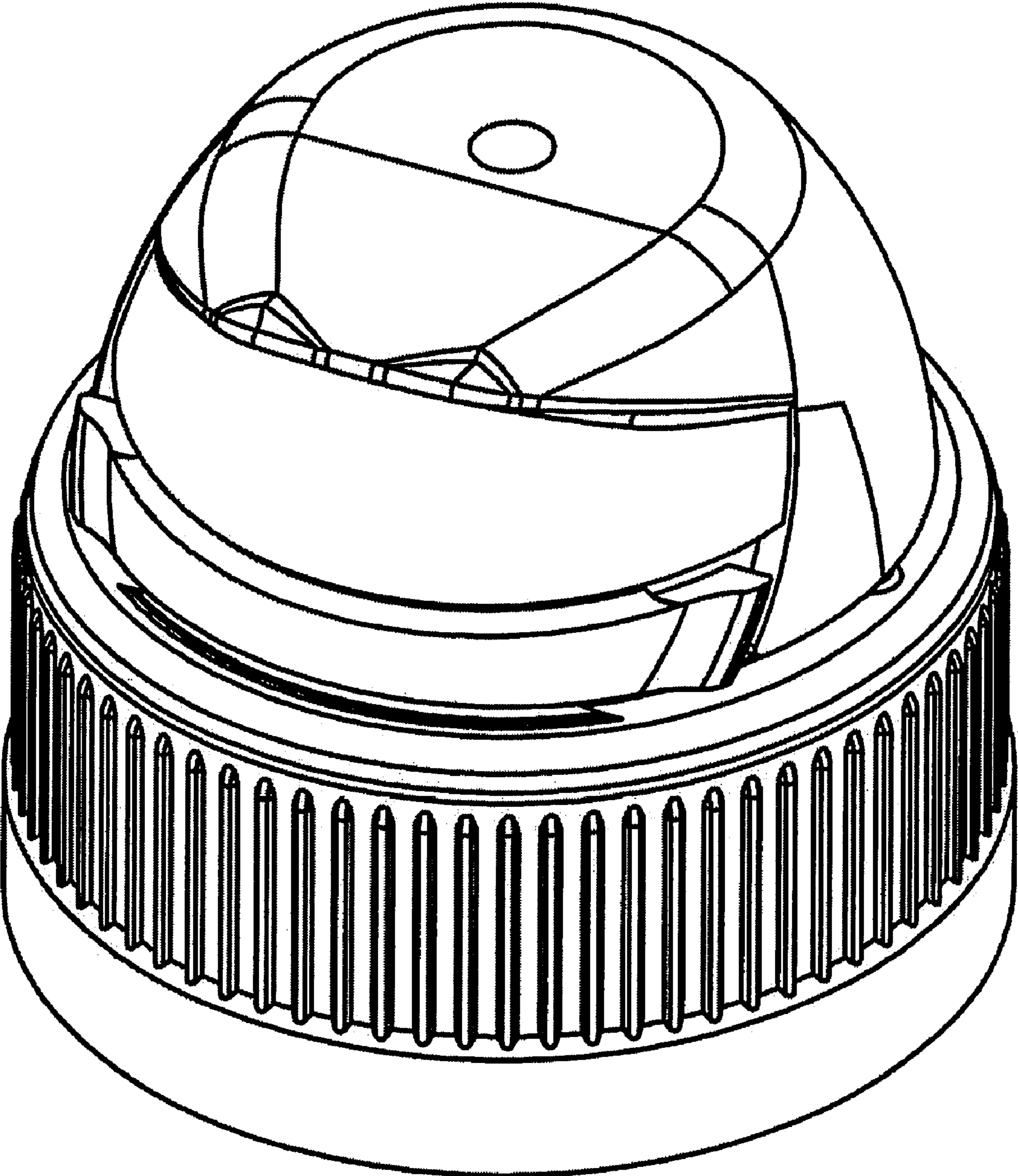


Fig. 2

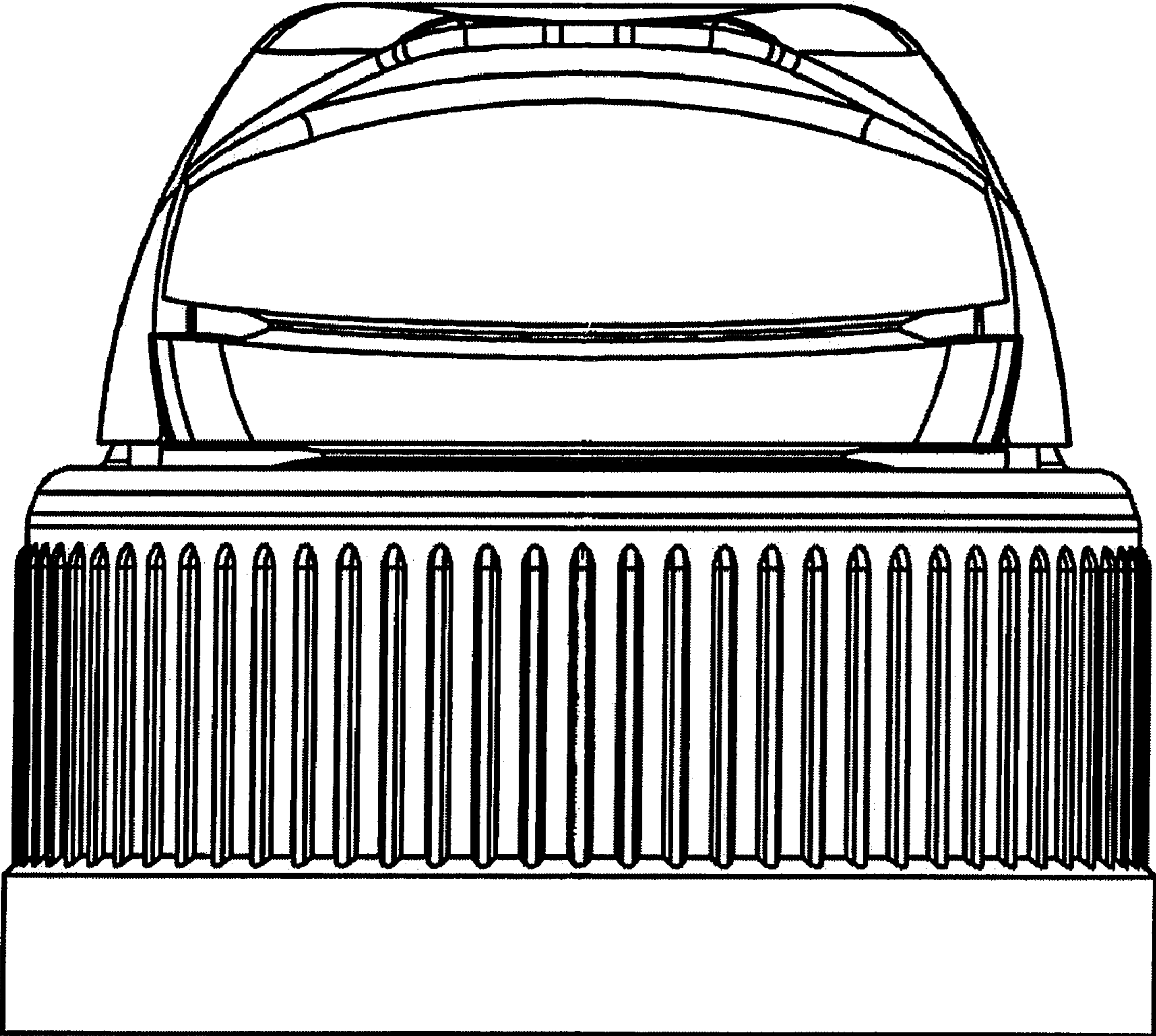


Fig. 3

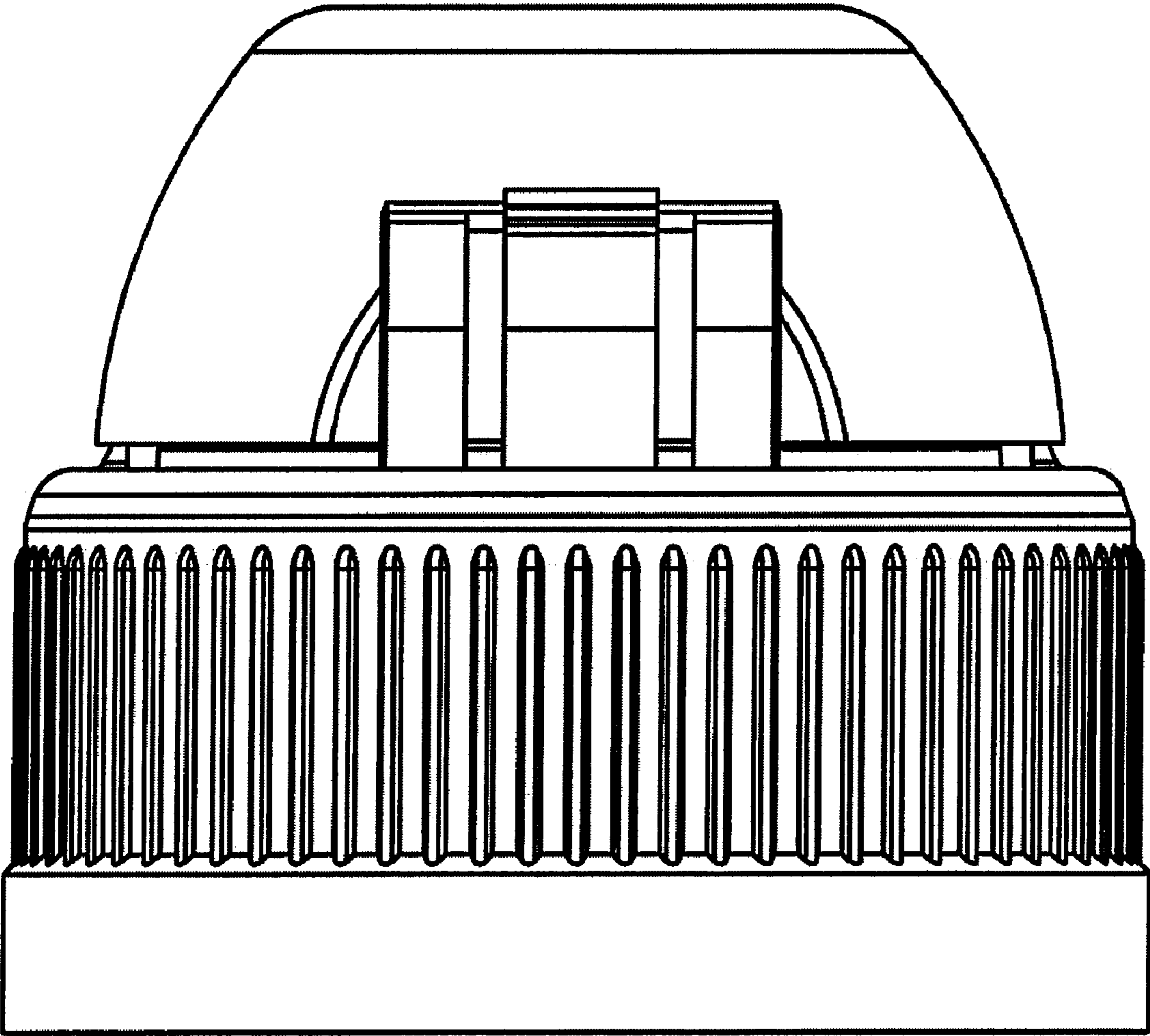


Fig. 4

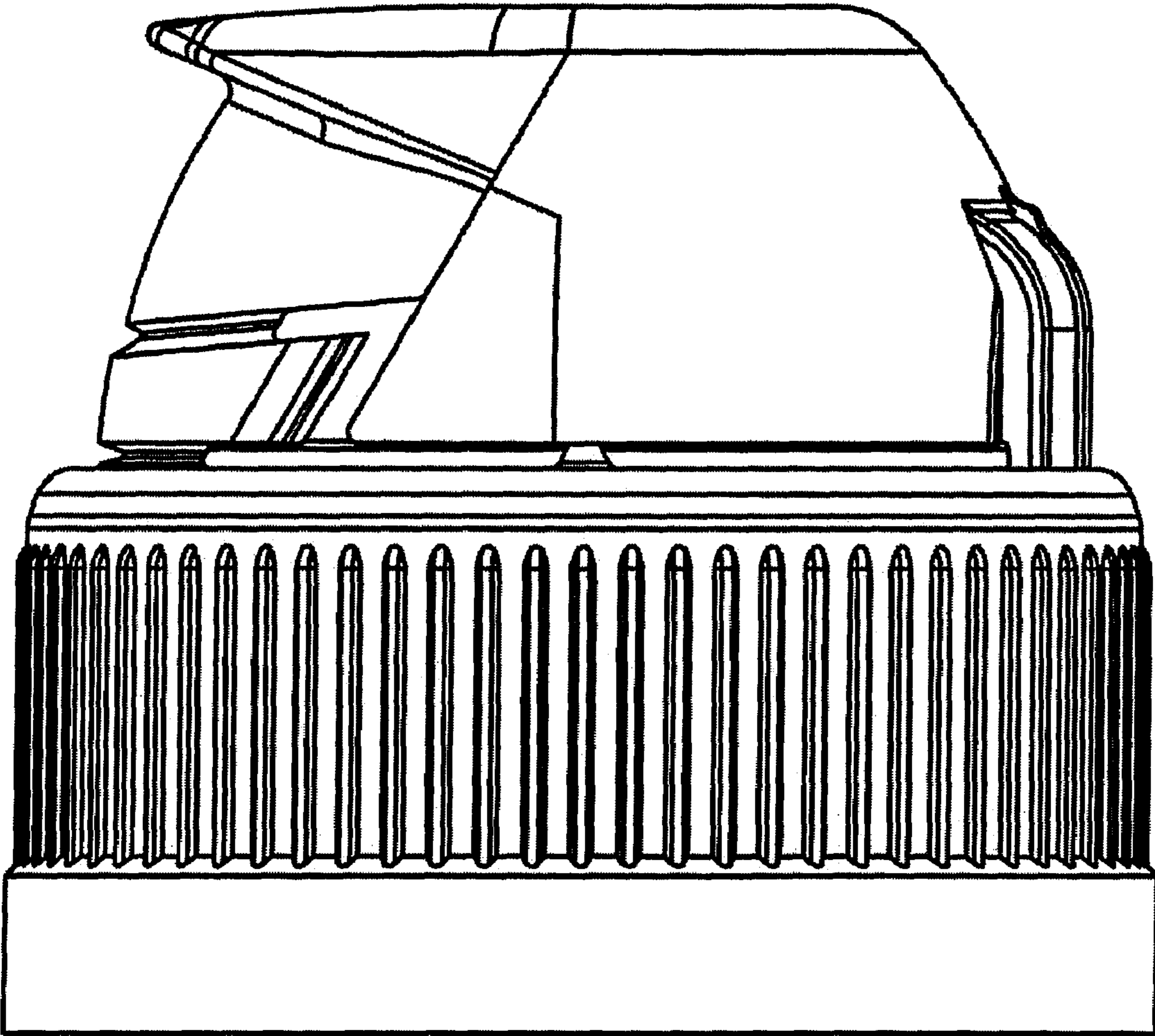


Fig. 5

