



US00D592053S

(12) **United States Design Patent**  
**Suzuki**

(10) **Patent No.:** **US D592,053 S**  
(45) **Date of Patent:** **\*\* May 12, 2009**

(54) **PACKAGE**

(75) Inventor: **Takeo Suzuki**, Tokyo (JP)  
(73) Assignee: **PENTAX Corporation**, Tokyo (JP)  
(\*\*) Term: **14 Years**  
(21) Appl. No.: **29/270,509**  
(22) Filed: **Dec. 27, 2006**

(30) **Foreign Application Priority Data**

Sep. 1, 2006 (JP) ..... 2006-023357  
Sep. 1, 2006 (JP) ..... 2006-023368  
Sep. 1, 2006 (JP) ..... 2006-023369  
Sep. 1, 2006 (JP) ..... 2006-023370

(51) **LOC (9) Cl.** ..... **09-07**

(52) **U.S. Cl.** ..... **D9/434; D9/418**

(58) **Field of Classification Search** ..... D9/734,  
D9/722, 652, 457, 454, 447, 443, 435, 434,  
D9/432, 430, 418, 415, 414; D8/367, 300;  
D6/515; D20/40, 27, 22, 11, 10; D14/495,  
D14/491, 489, 488, 487; D11/95, 84, 83,  
D11/81, 241, 240, 238, 225, 224, 223, 116;  
294/158, 145; 221/63, 48, 305, 303; 229/117.23;  
16/444; D3/328, 318, 309  
See application file for complete search history.

(56) **References Cited**

**U.S. PATENT DOCUMENTS**

D51,211 S \* 8/1917 Page ..... D11/95  
D51,212 S \* 8/1917 Page ..... D11/95  
D55,844 S \* 7/1920 Clancy ..... D11/95

D79,888 S \* 11/1929 MacMillan ..... D9/432  
D129,731 S \* 9/1941 Lutrell ..... D9/418  
D232,811 S \* 9/1974 Edgelington ..... D9/418  
D344,102 S \* 2/1994 Polak et al. .... D20/11  
D359,257 S \* 6/1995 Miller ..... D11/223  
D449,653 S \* 10/2001 Curry ..... D20/11  
D491,801 S \* 6/2004 Chapman ..... D9/414  
D494,061 S \* 8/2004 Brown ..... D9/418  
D495,248 S \* 8/2004 Krebs et al. .... D9/418  
D499,019 S \* 11/2004 Sagmeister et al. .... D9/418  
D524,155 S \* 7/2006 Coppola et al. .... D9/430  
D526,190 S \* 8/2006 Bolt et al. .... D9/418  
D532,686 S \* 11/2006 Wijerama ..... D9/418  
D551,969 S \* 10/2007 Aurilio et al. .... D9/432  
D568,732 S \* 5/2008 Kovac ..... D9/418

\* cited by examiner

*Primary Examiner*—Susan Bennett Hattan  
(74) *Attorney, Agent, or Firm*—Sughrue Mion, PLLC

(57) **CLAIM**

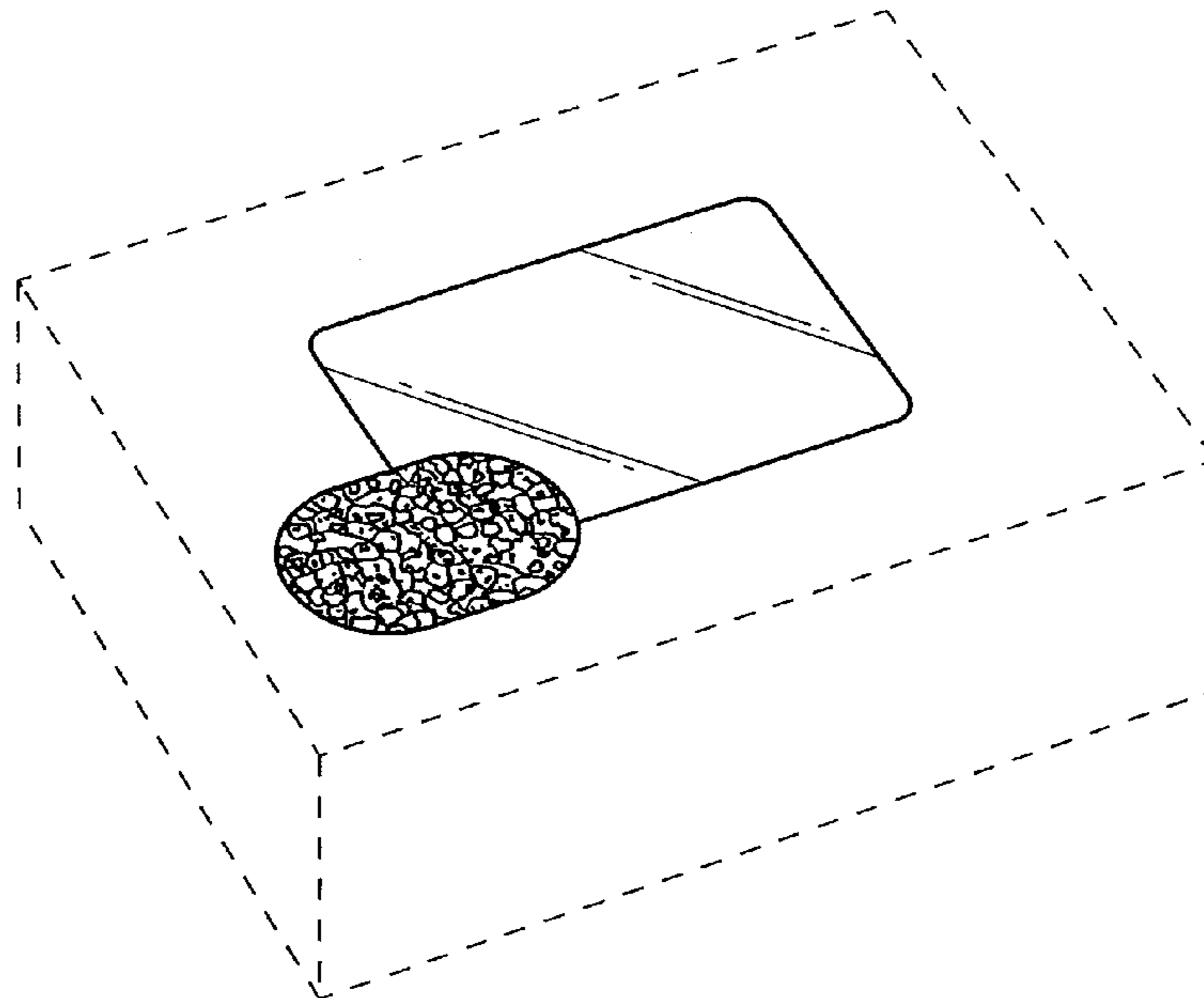
The ornamental design for a package, as shown and described.

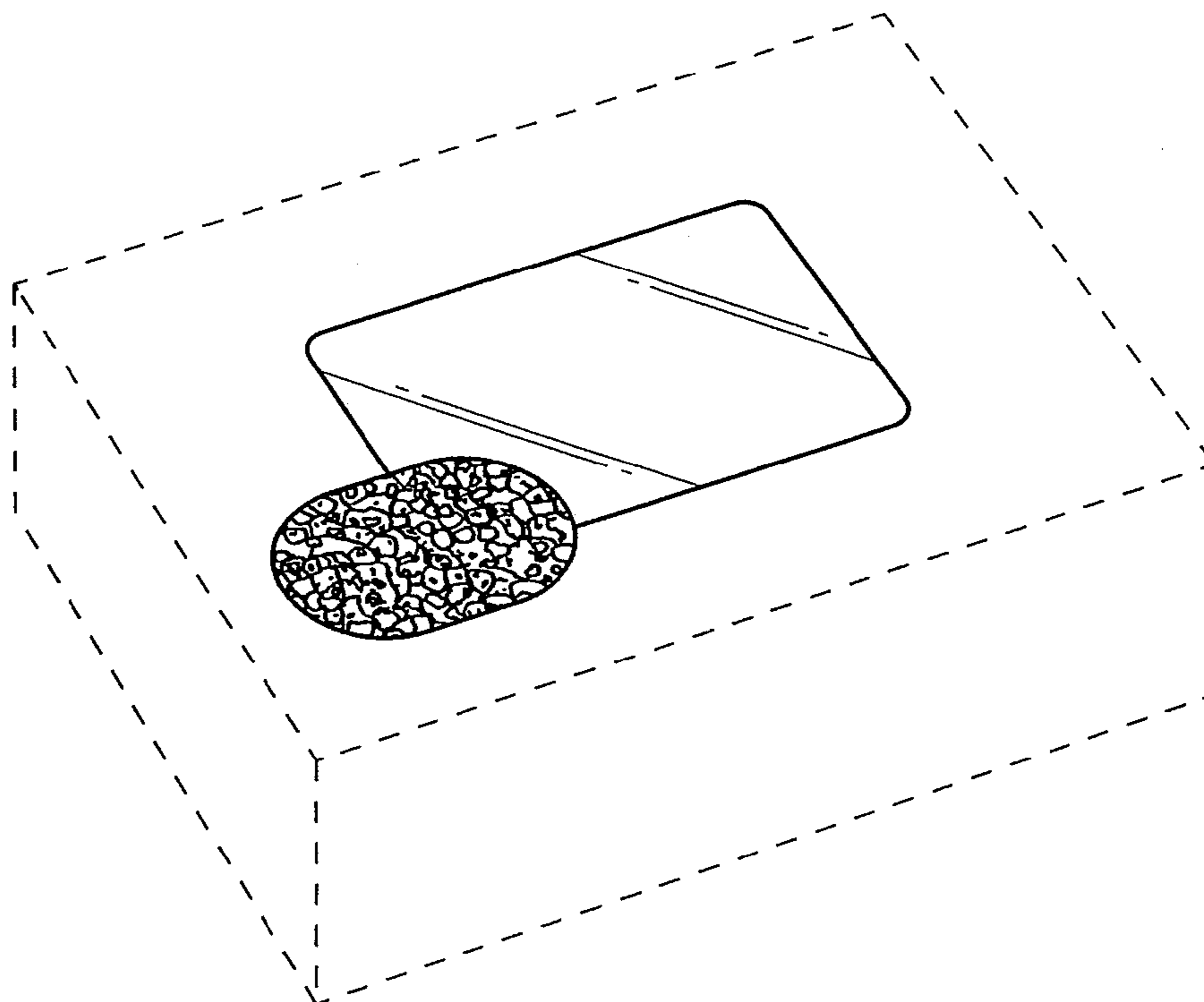
**DESCRIPTION**

FIG. 1 is a perspective view of the front, left and bottom of a package showing our new design;  
FIG. 2 is a top plan view thereof;  
FIG. 3 is a front view thereof;  
FIG. 4 is a rear view thereof; and,  
FIG. 5 is a left side view thereof.

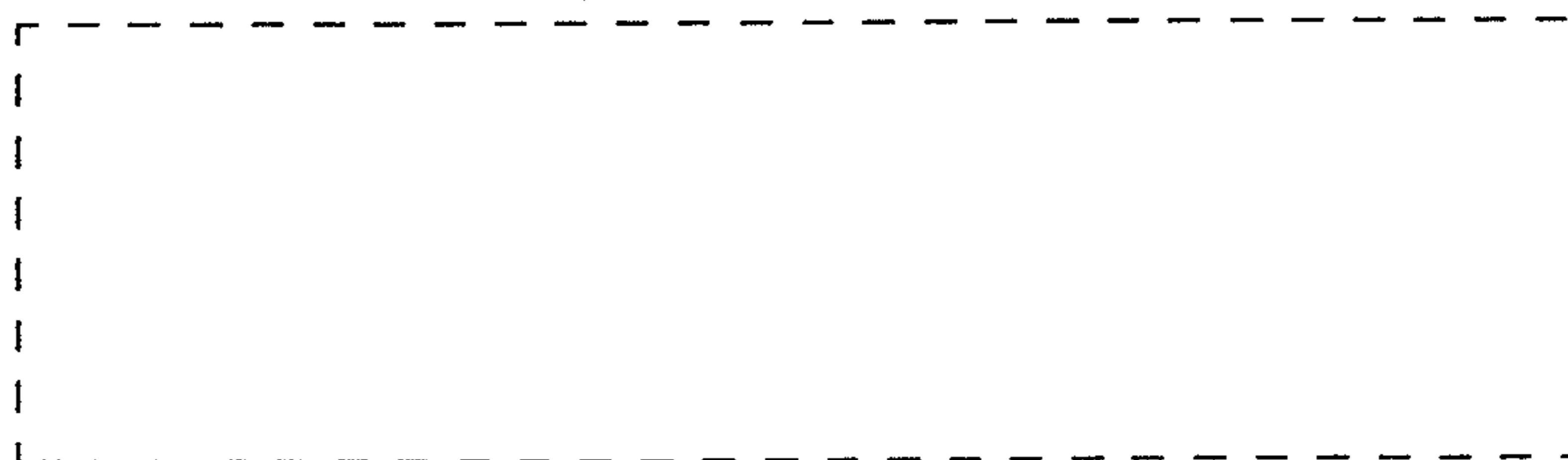
The elements shown in broken lines depict environmental subject matter only and form no part of the claimed design.

**1 Claim, 3 Drawing Sheets**

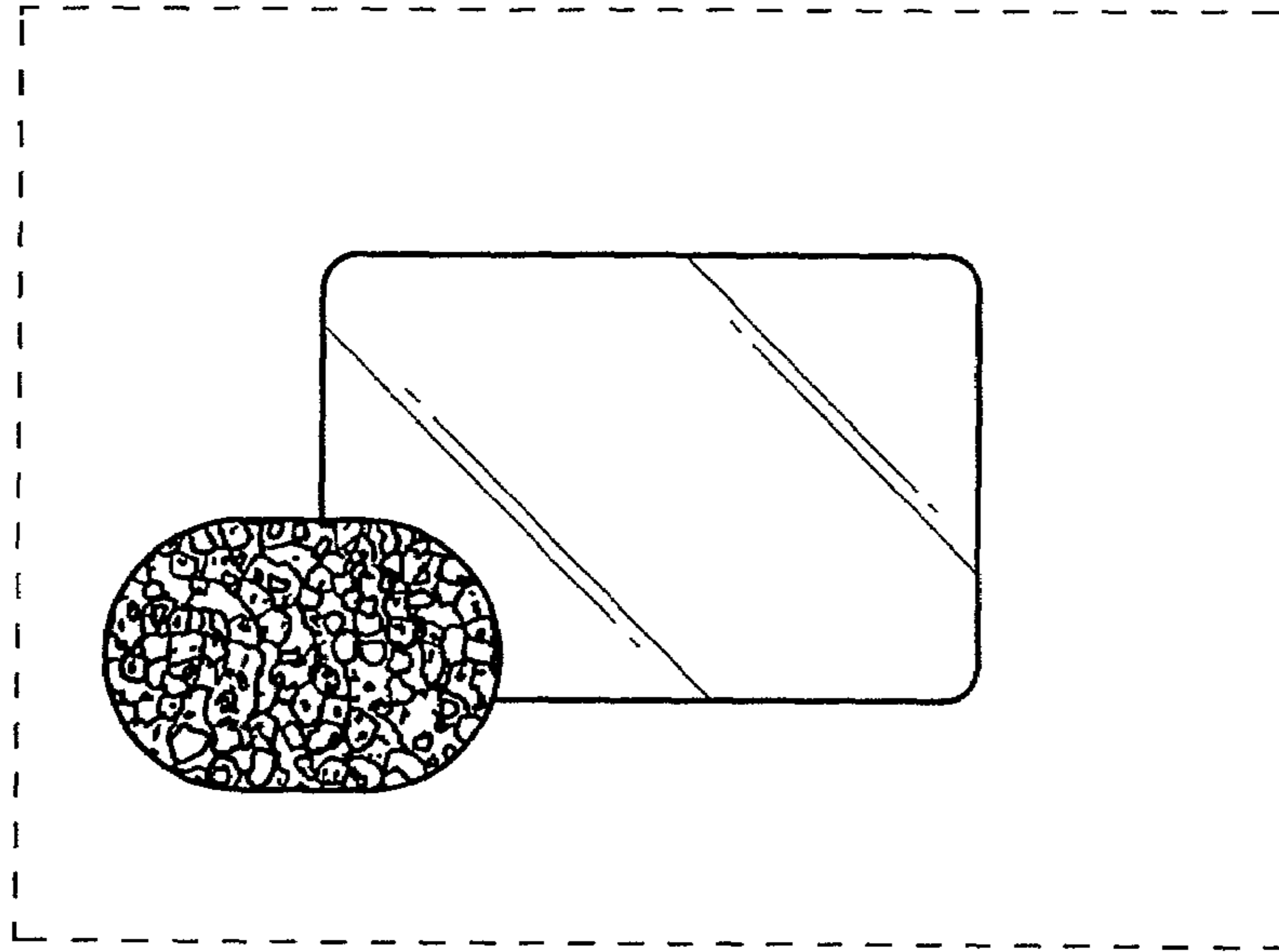




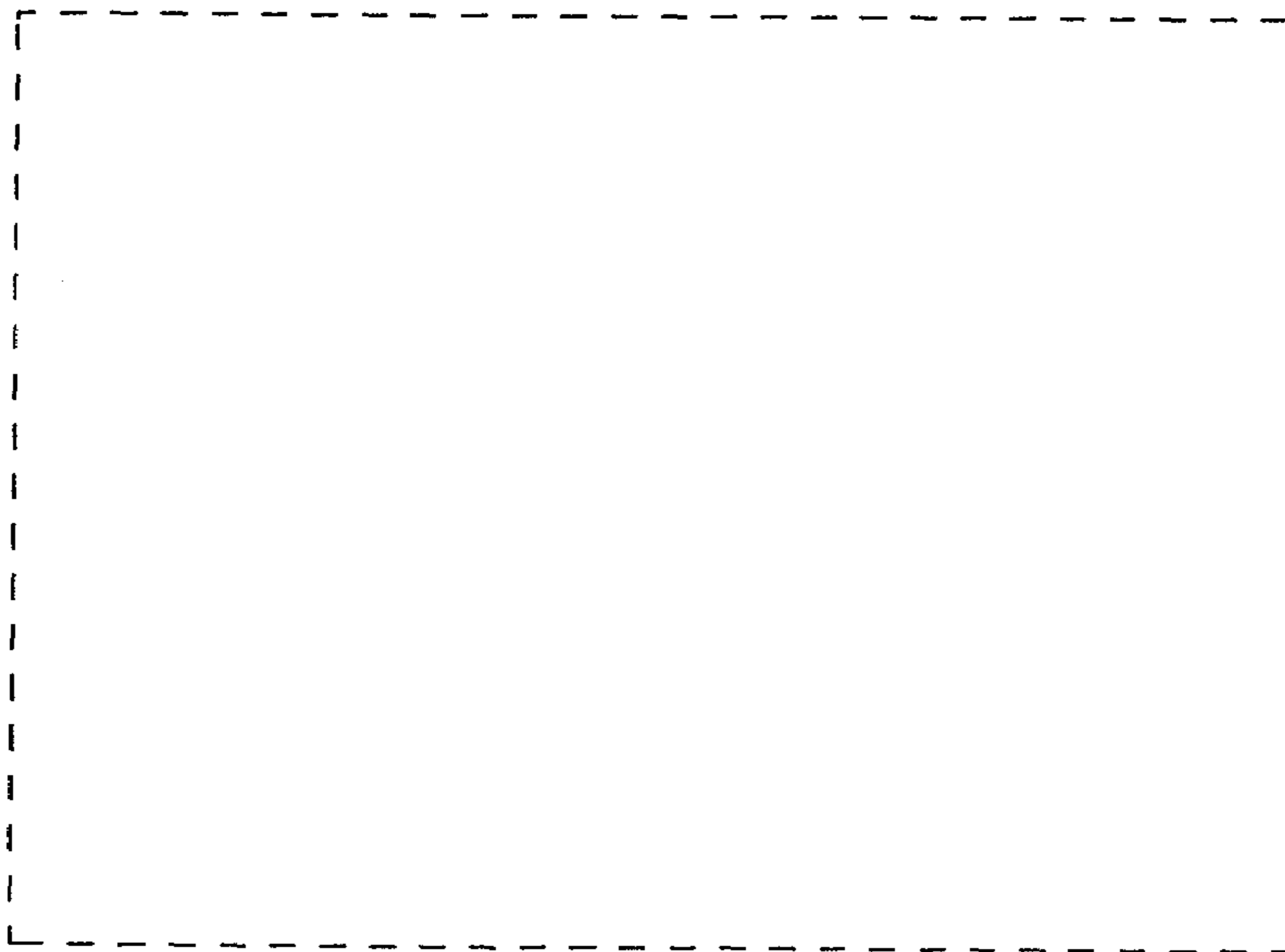
*FIG. 1*



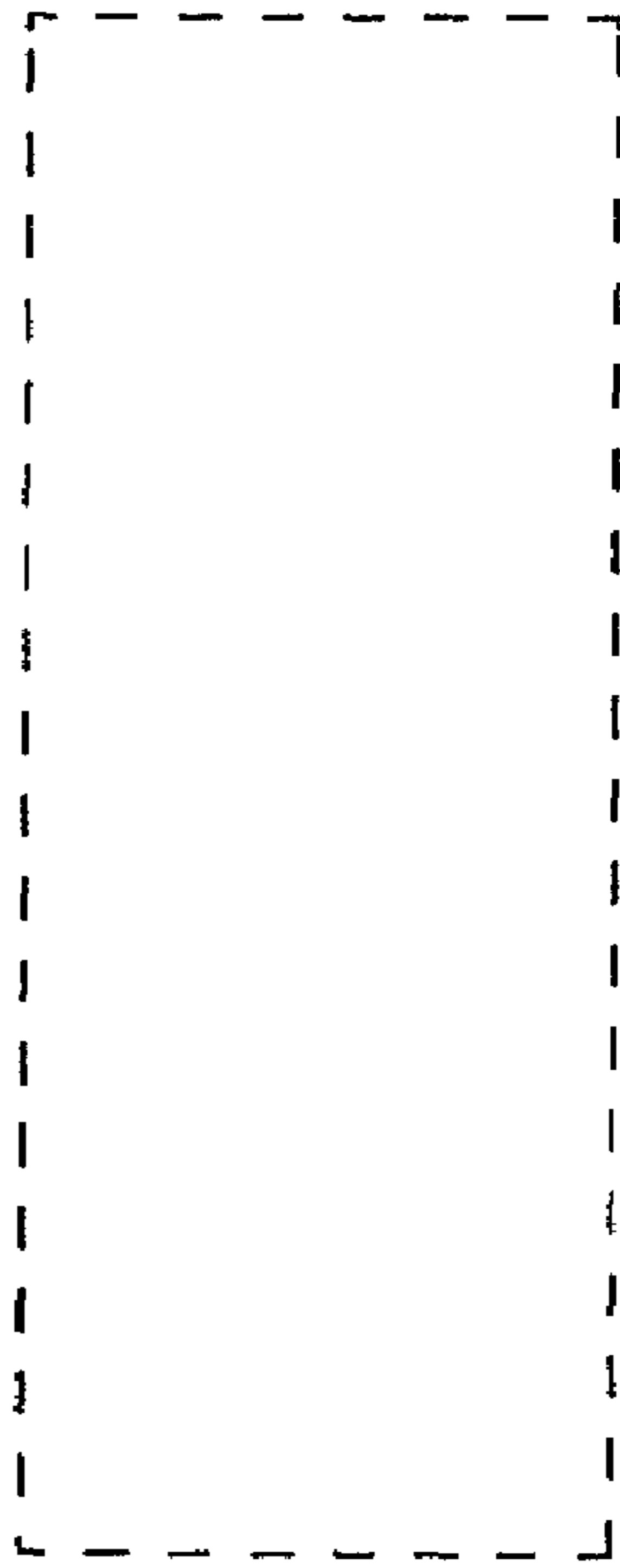
*FIG. 2*



*FIG. 3*



*FIG. 4*



***FIG. 5***