



US00D592048S

(12) **United States Design Patent**
Biedermann et al.

(10) **Patent No.:** **US D592,048 S**

(45) **Date of Patent:** **** May 12, 2009**

(54) **WATCH PRESENTATION BOX**

(75) Inventors: **Remo Biedermann**, Sutz (CH); **João Ornelas**, Leiria (PT)

(73) Assignee: **Swatch AG (Swatch SA) (Swatch Ltd.)**, Biel/Bienne (CH)

(**) Term: **14 Years**

(21) Appl. No.: **29/328,168**

(22) Filed: **Nov. 20, 2008**

(30) **Foreign Application Priority Data**

Jul. 15, 2008 (WO) DM/070 426

(51) **LOC (9) Cl.** **09-03**

(52) **U.S. Cl.** **D9/423**

(58) **Field of Classification Search** D9/414,
D9/420-426, 428-432, 668, 671; 206/6.1,
206/566, 736, 765, 766, 759, 823; D3/201,
D3/294, 903, 273; 220/4.24, 4.25, 213, 253,
220/810, 825, 837, 839; 229/116.1

See application file for complete search history.

(56) **References Cited**

U.S. PATENT DOCUMENTS

D254,720	S *	4/1980	Schuander	D9/423
D400,708	S *	11/1998	Srinaul	D3/294
D484,696	S *	1/2004	Au	D3/294
D502,393	S *	3/2005	Au	D9/423
D515,413	S *	2/2006	Au	D9/420
2007/0151878	A1 *	7/2007	Au	206/301

* cited by examiner

Primary Examiner—Daniel D Bui
Assistant Examiner—Thomas J Johannes

(74) *Attorney, Agent, or Firm*—Collen IP; Donald J. Ranft

(57) **CLAIM**

The ornamental design for a watch presentation box, as shown and described.

DESCRIPTION

FIG. 1 is a front view of our new, original and ornamental design for a watch presentation box;

FIG. 2 is a rear view thereof;

FIG. 3 is a top view thereof;

FIG. 4 is bottom view thereof;

FIG. 5 is a right side view thereof;

FIG. 6 is a left side view thereof;

FIG. 7 is a front right perspective view thereof;

FIG. 8 is a front, right perspective view thereof with the top open and internal support exposed;

FIG. 9 is a top view of the watch presentation box internal support, shown separately for clarity;

FIG. 10 is a bottom view thereof;

FIG. 11 is a front view thereof;

FIG. 12 is a rear view thereof;

FIG. 13 is a right side view thereof;

FIG. 14 is a left side view thereof; and,

FIG. 15 is a front, right perspective view thereof.

1 Claim, 8 Drawing Sheets

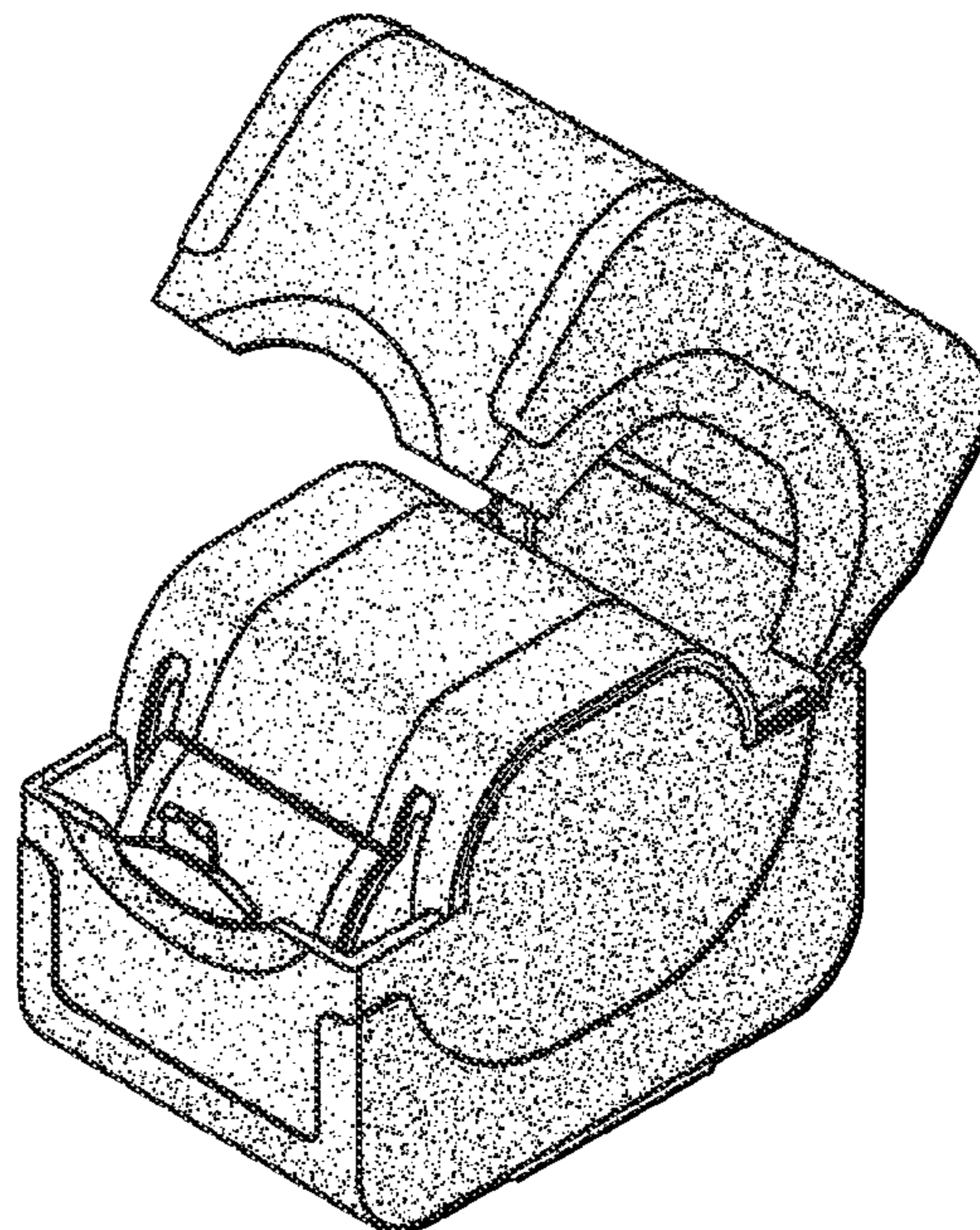
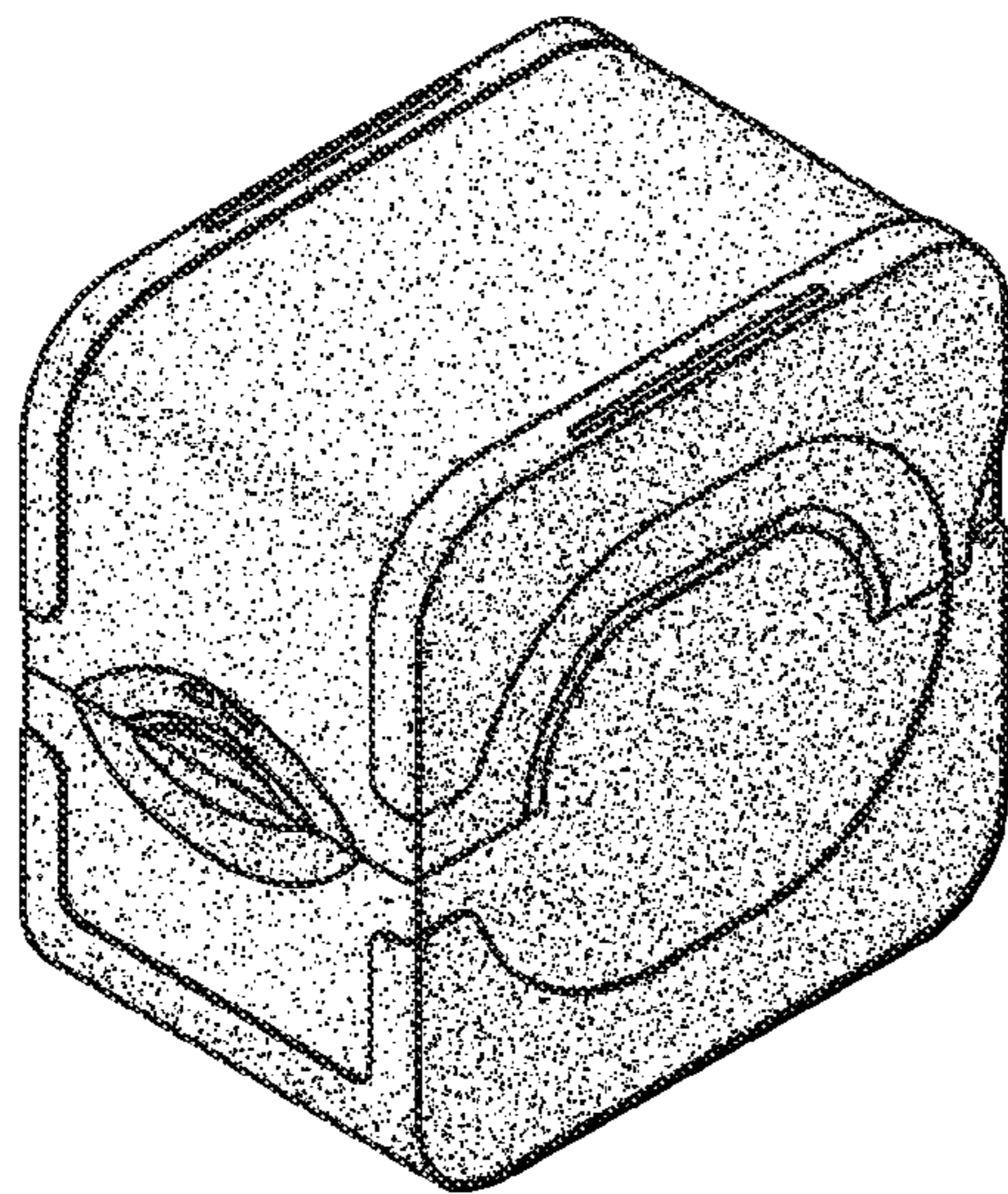


Fig. 1

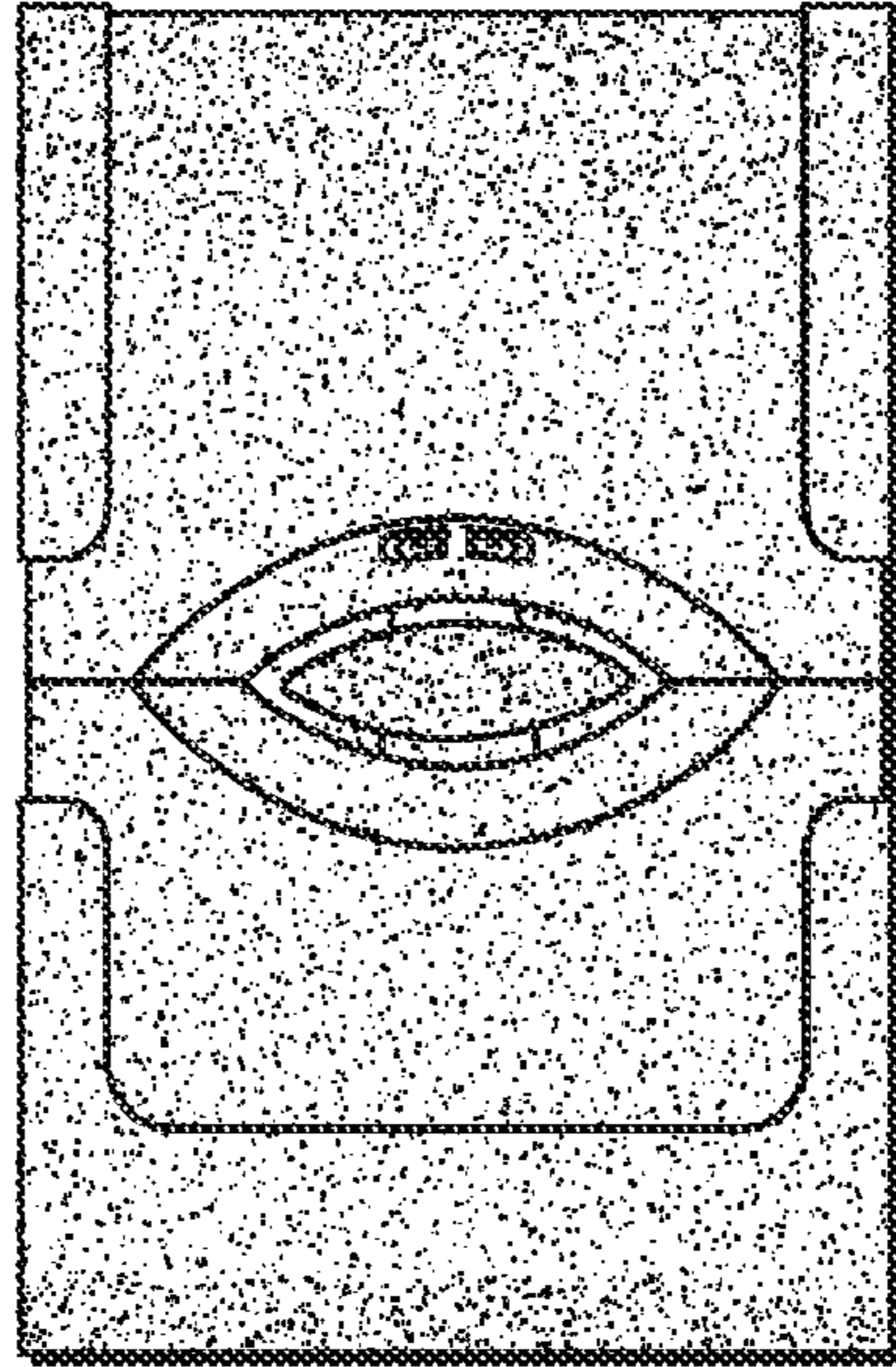


Fig. 2

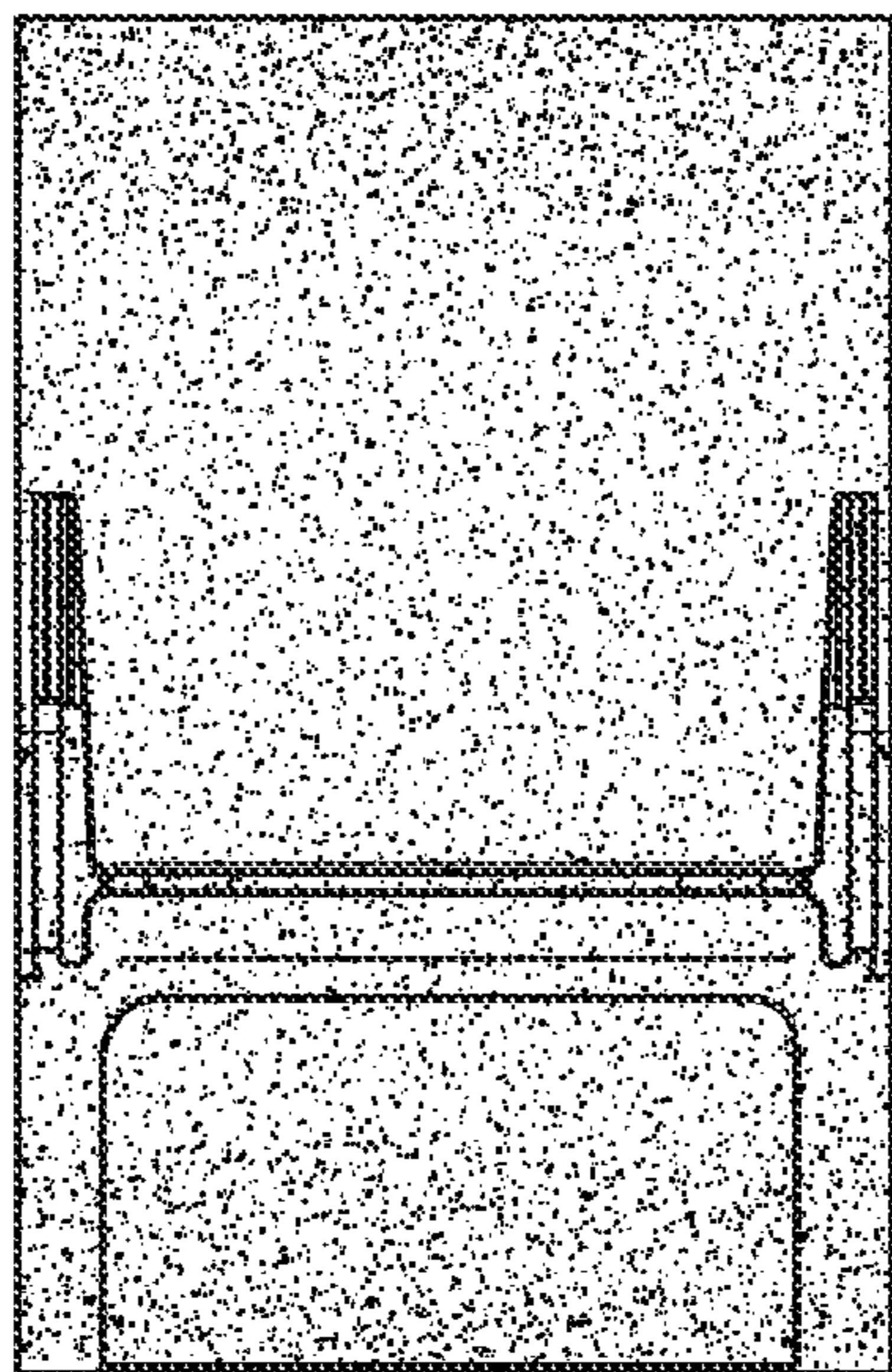


Fig. 3

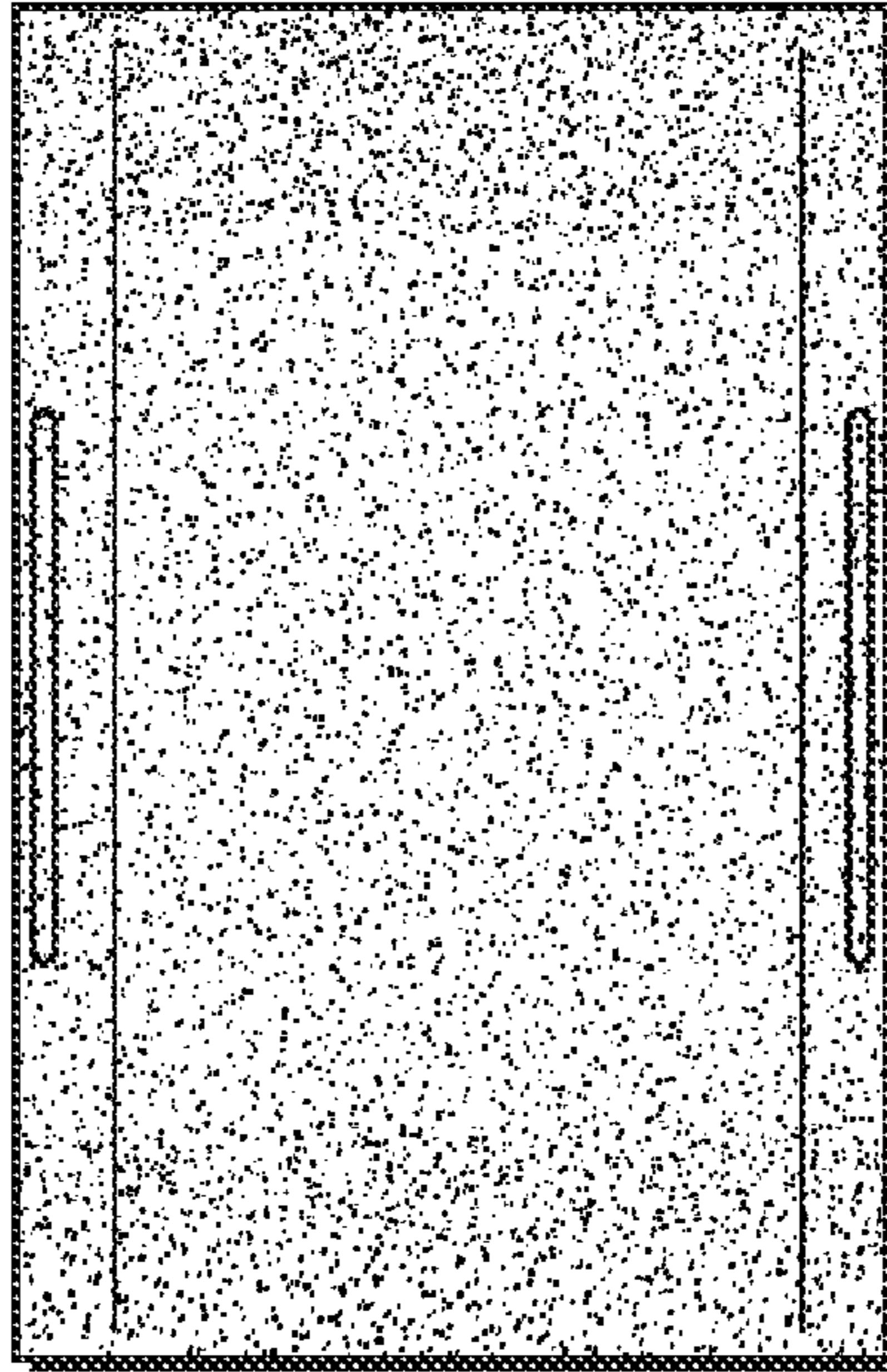
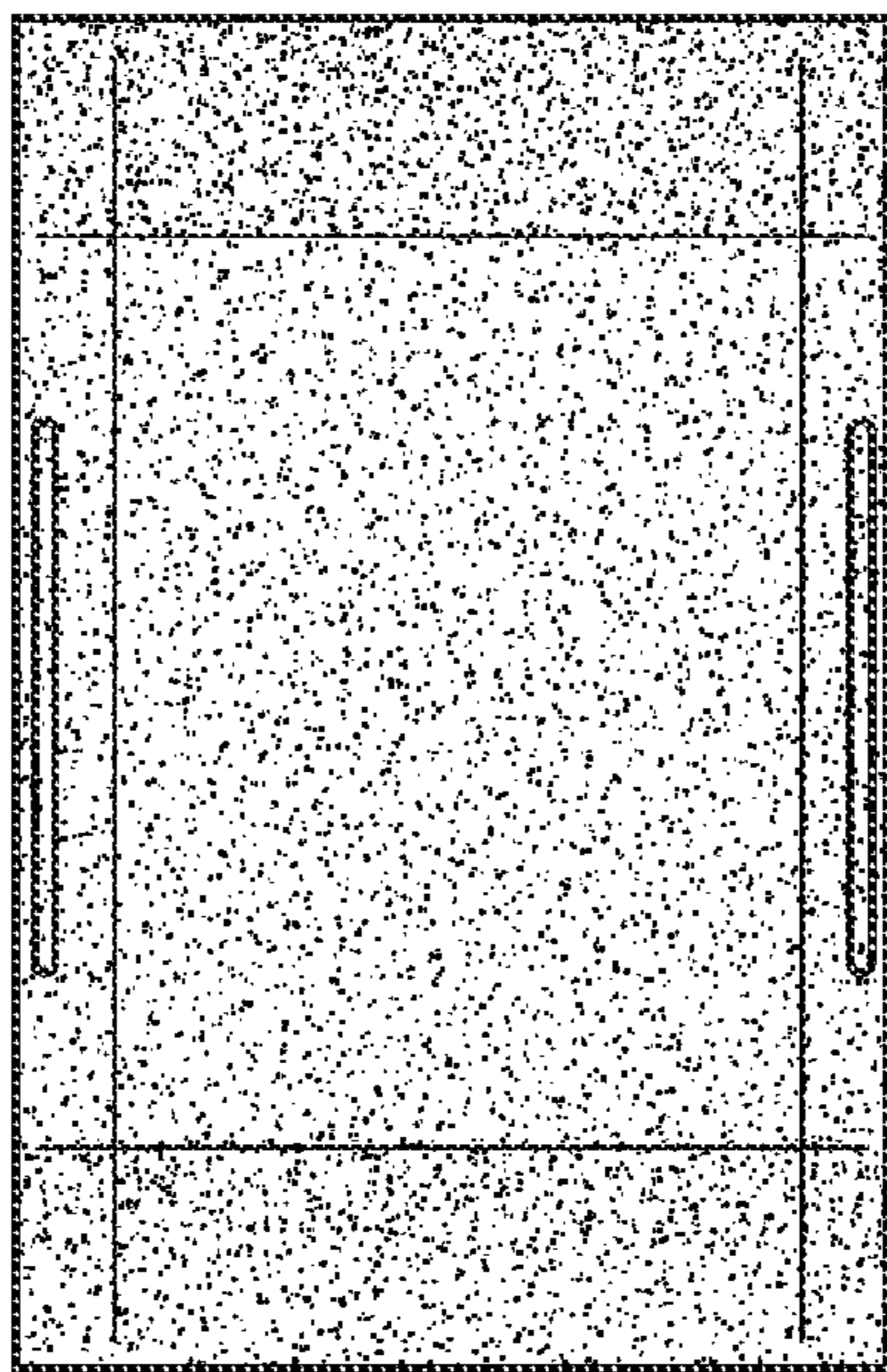


Fig. 4



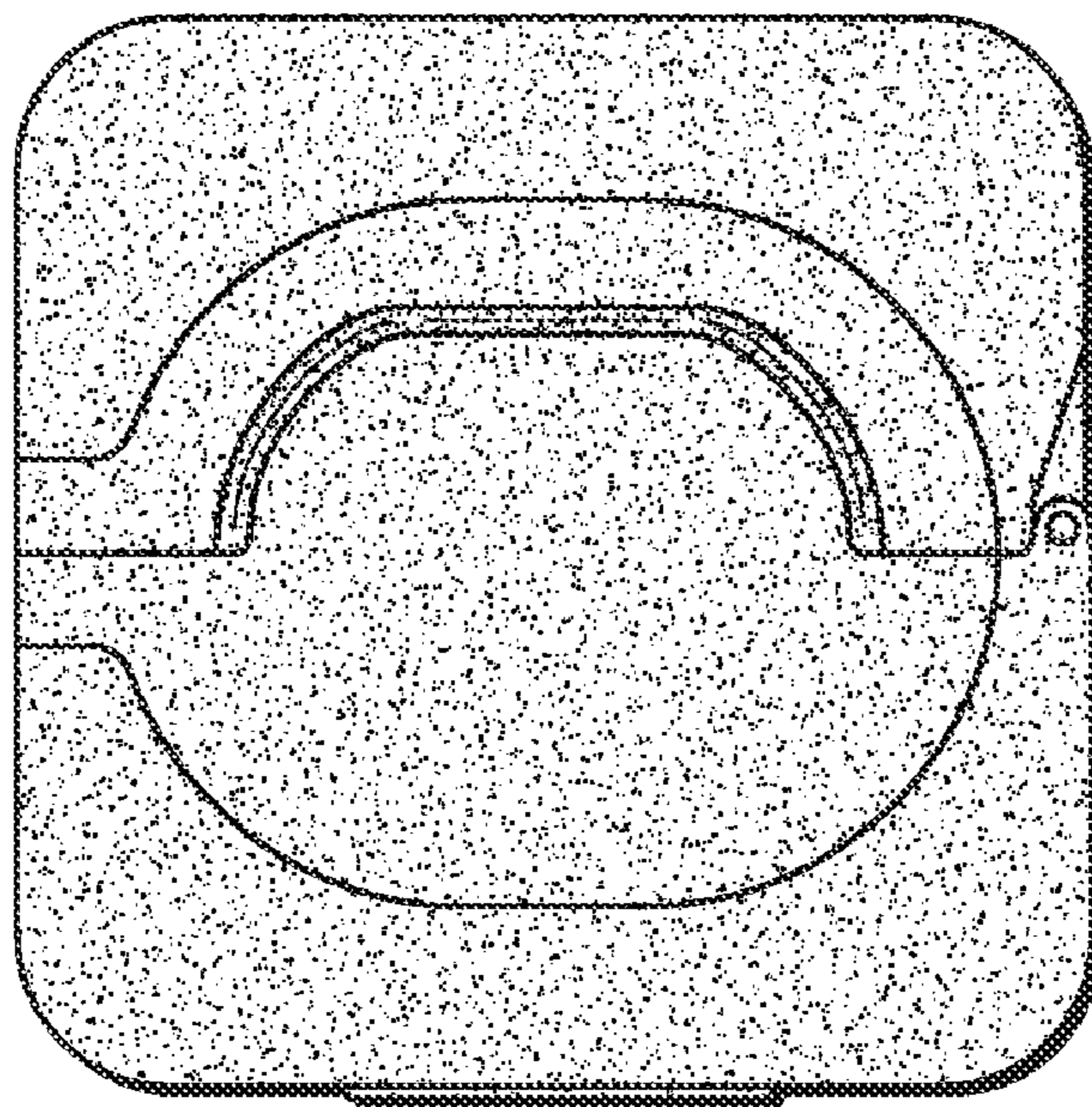


Fig. 5

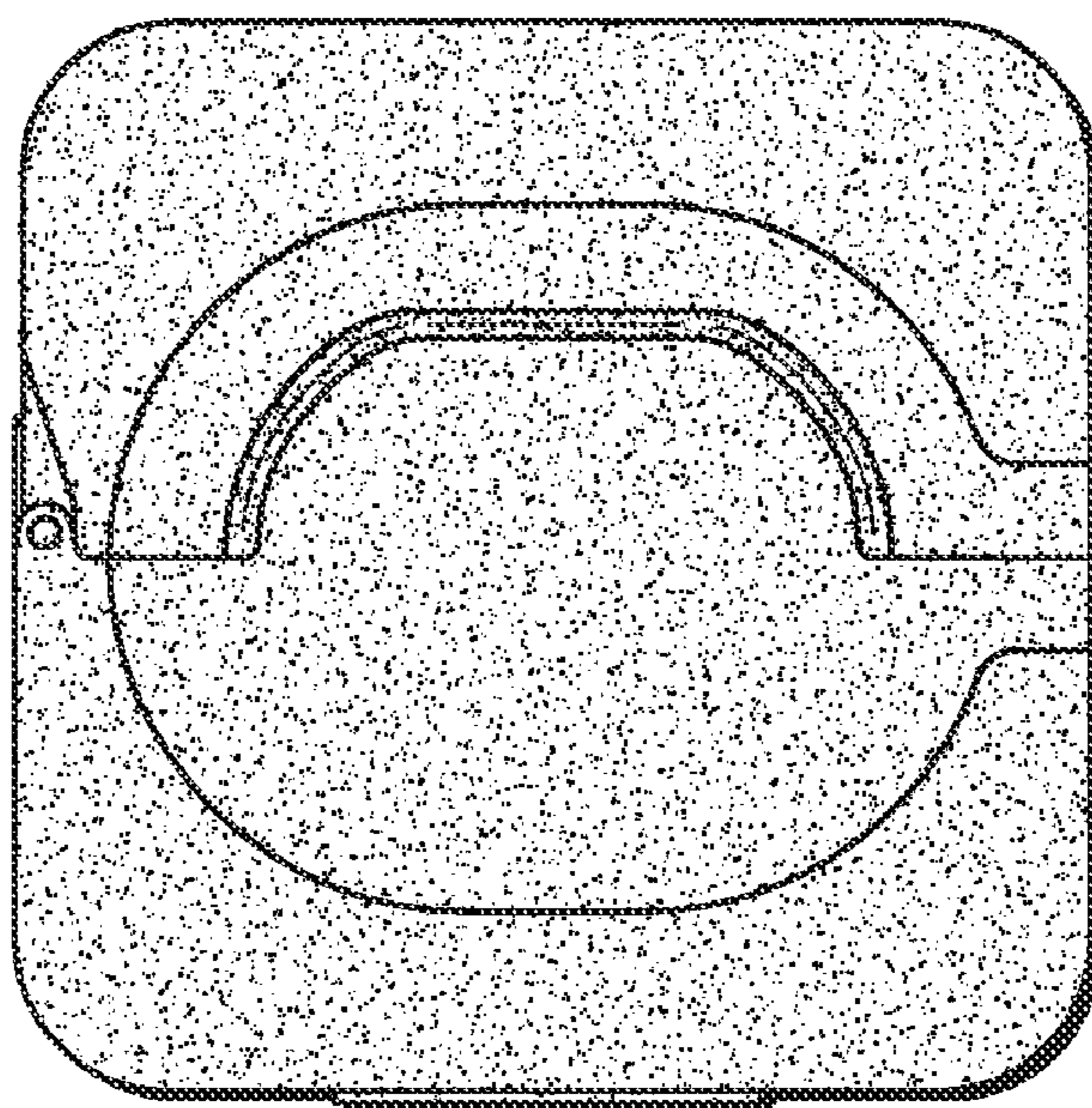


Fig. 6

Fig. 7

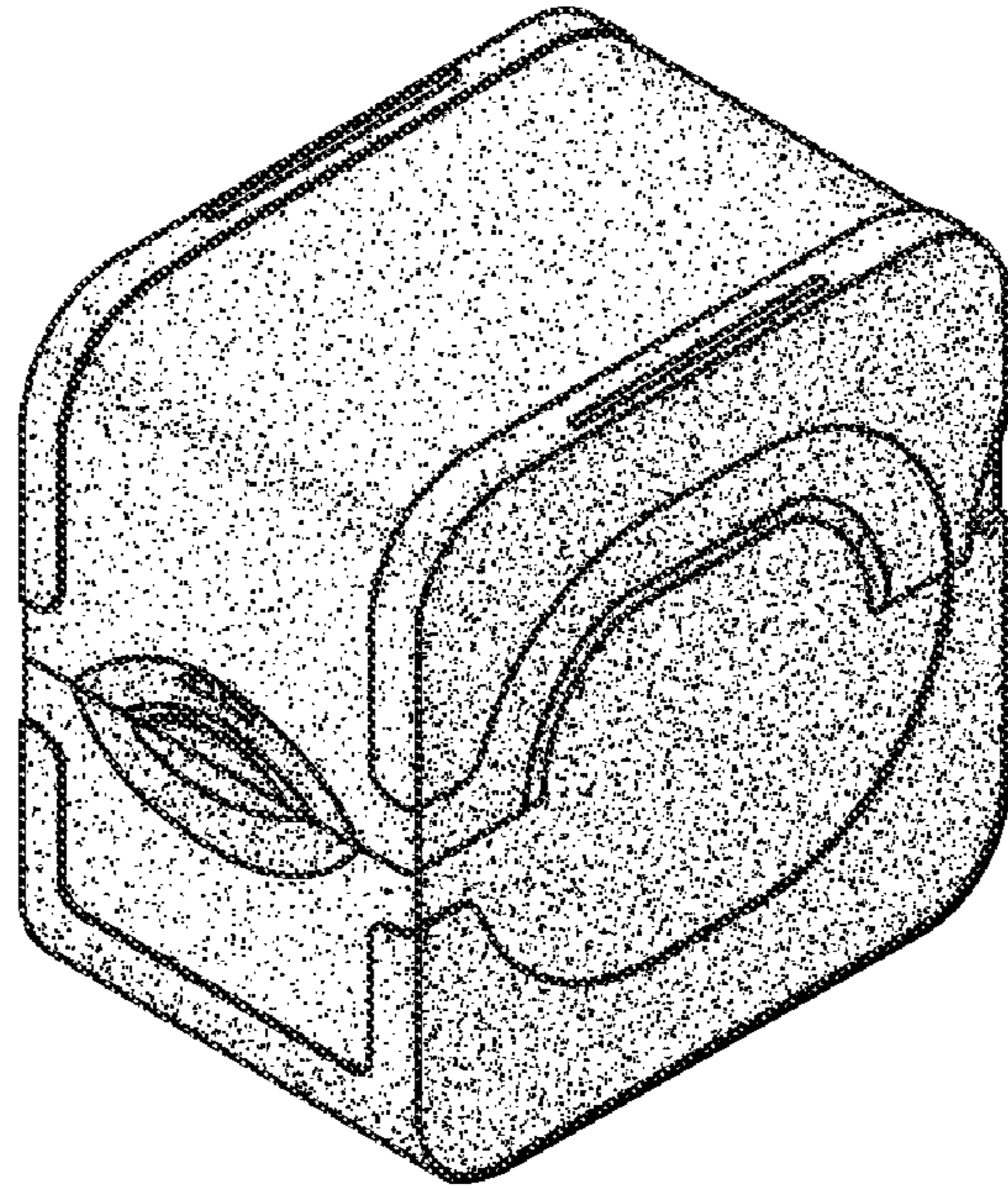


Fig. 8

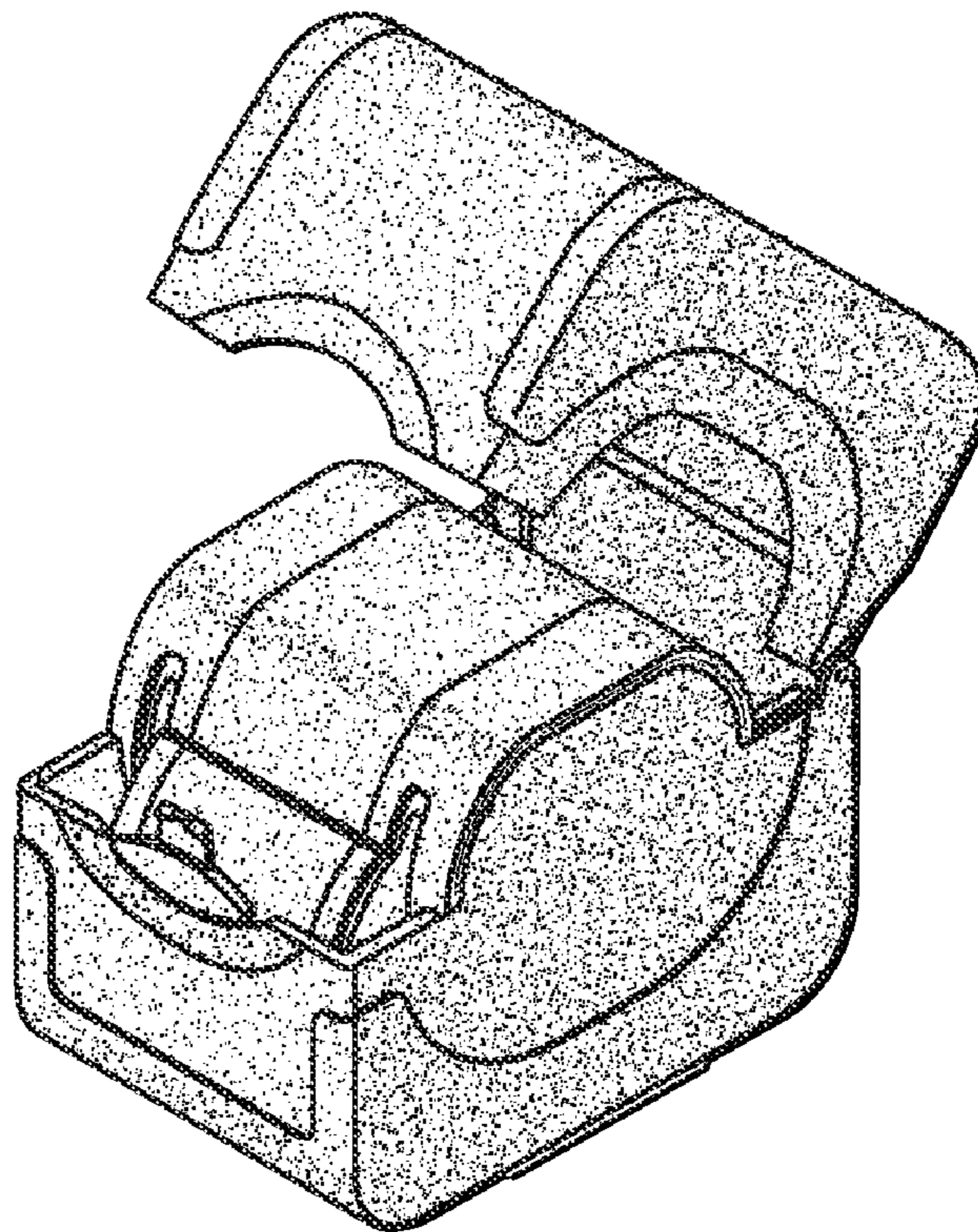


Fig. 9

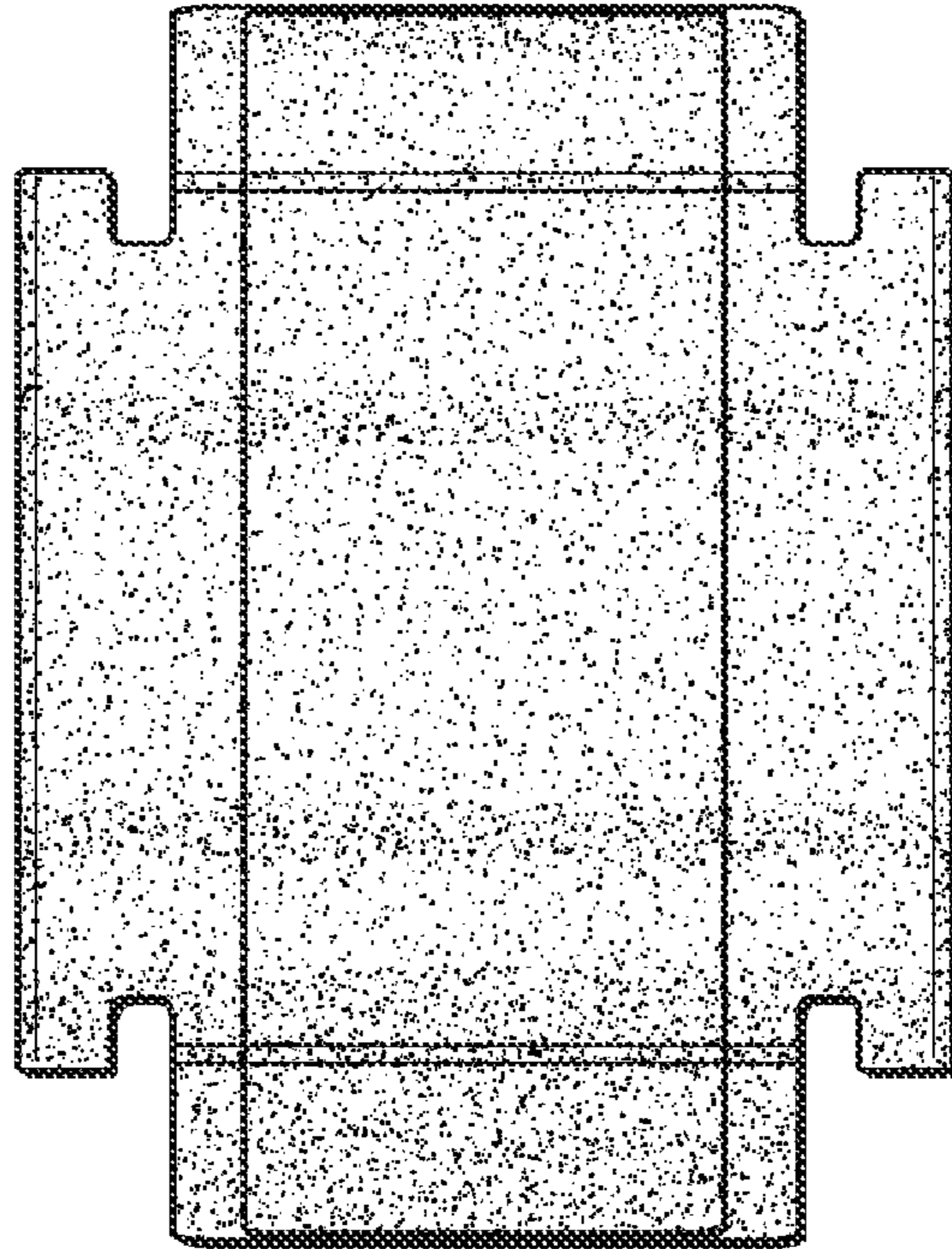


Fig. 10

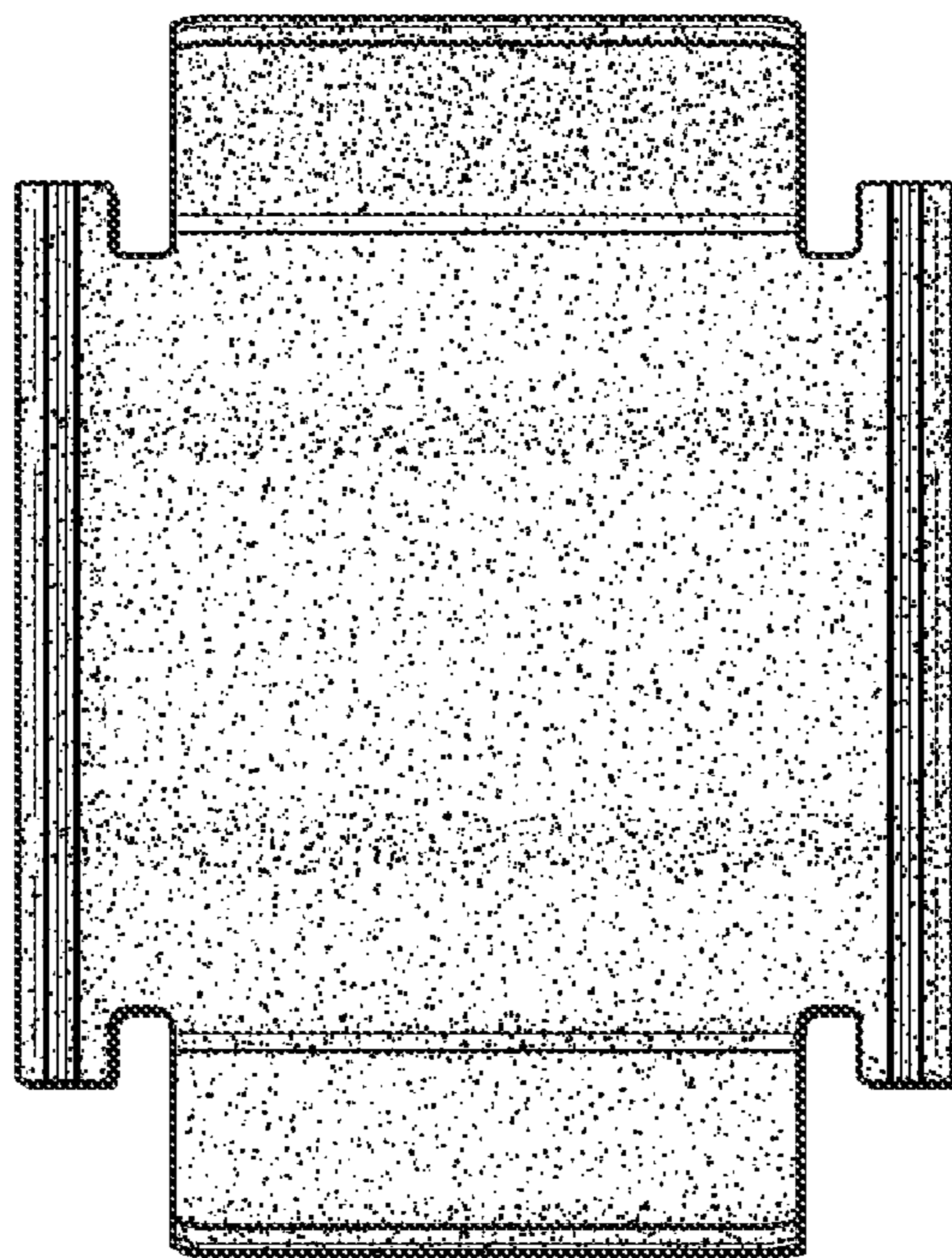


Fig. 11

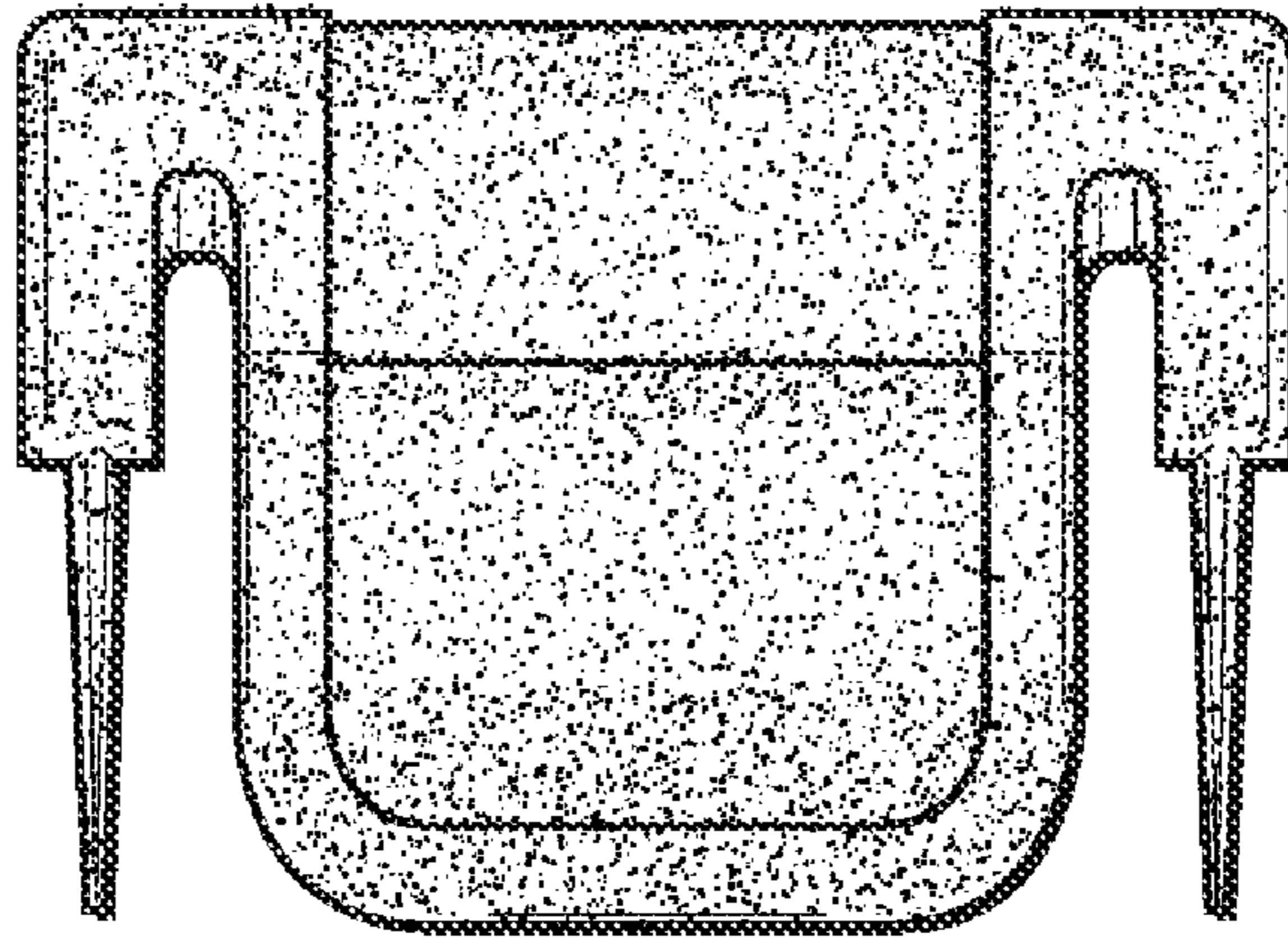


Fig. 12

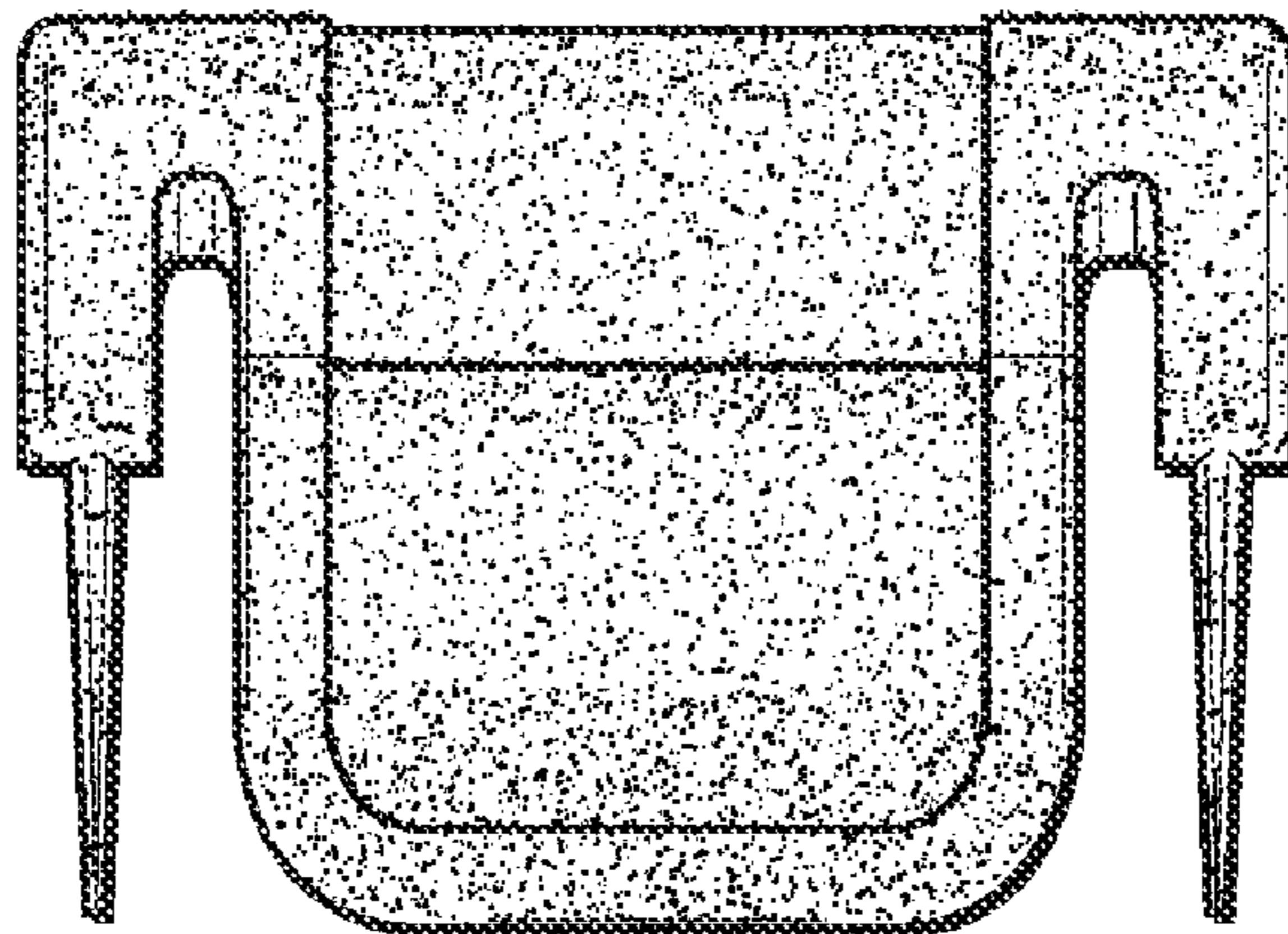


Fig 13

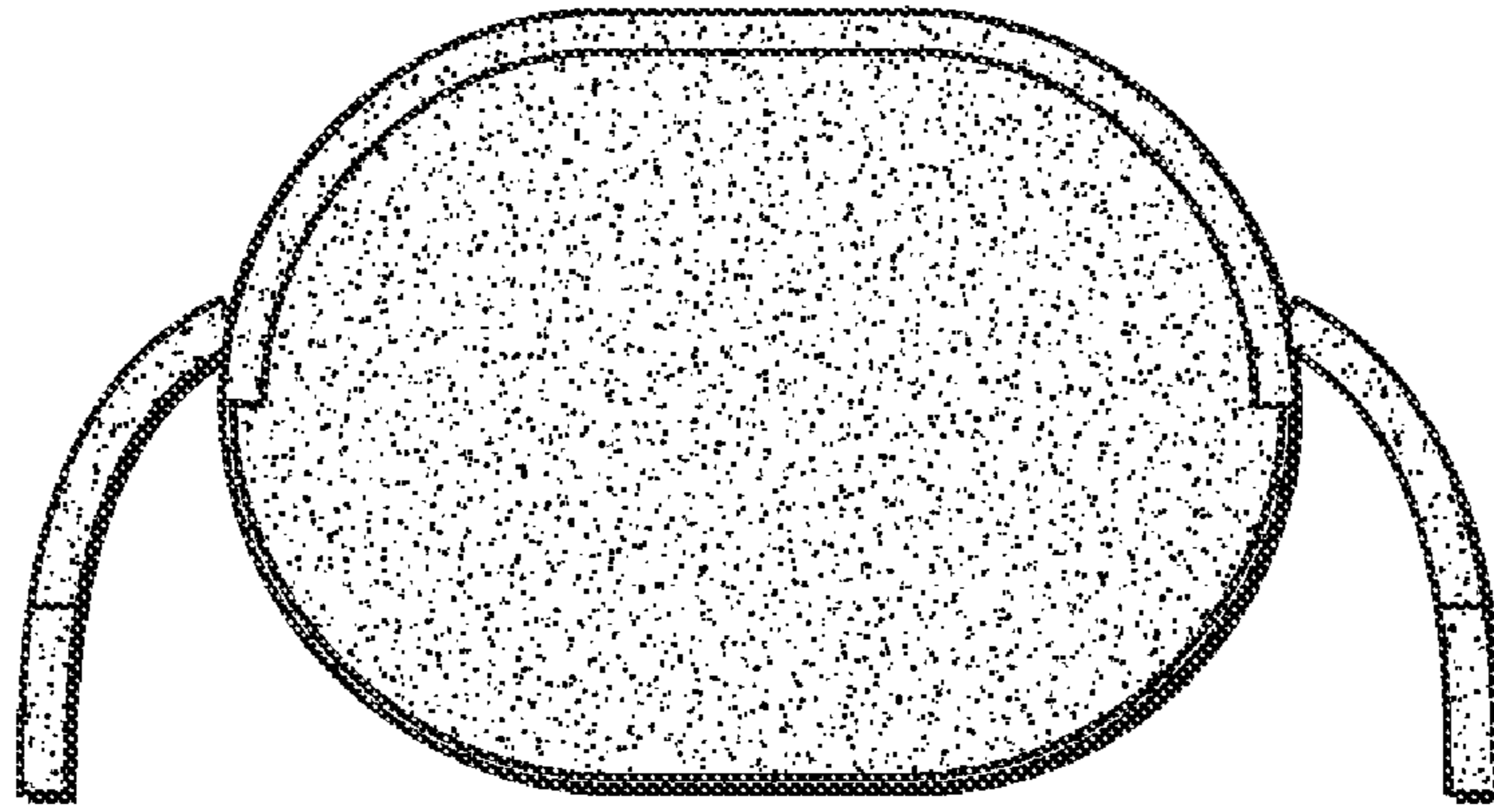


Fig 14

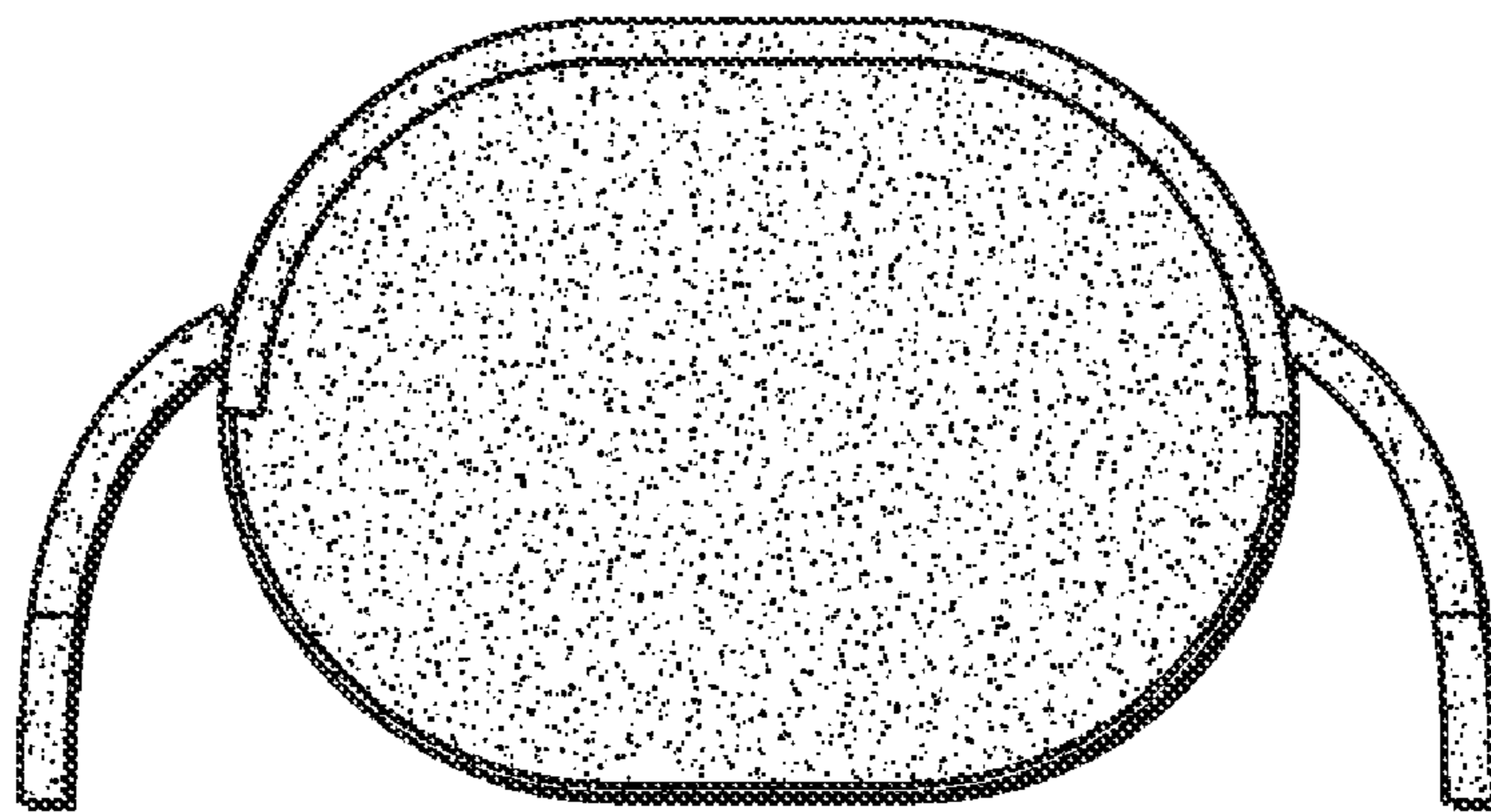


Fig 15

