



US00D592047S

(12) **United States Design Patent**  
**Glass**

(10) **Patent No.:** **US D592,047 S**

(45) **Date of Patent:** **\*\* May 12, 2009**

(54) **GIFT CARD BOX**

(76) Inventor: **Brett R. Glass**, 14717 Farley St.,  
Overland Park, KS (US) 66221

(\*\*) Term: **14 Years**

(21) Appl. No.: **29/304,229**

(22) Filed: **Feb. 27, 2008**

(51) **LOC (9) Cl.** ..... **09-03**

(52) **U.S. Cl.** ..... **D9/423**

(58) **Field of Classification Search** ..... D9/414,  
D9/415, 418, 420, 421, 422, 423, 430, 431,  
D9/432, 433, 435, 560, 561, 730, 756; D3/201,  
D3/272, 273, 281; 229/100, 103, 104, 105,  
229/106, 108, 108.1, 110, 112, 113, 114,  
229/115, 116, 117.16, 122.24, 122.29, 125.015,  
229/162, 162.1, 162.6, 769, 938; 206/525,  
206/770, 775-782, 822

See application file for complete search history.

(56) **References Cited**

**U.S. PATENT DOCUMENTS**

1,433,439	A *	10/1922	Weis	229/149
4,308,986	A *	1/1982	Parrilli	206/470
D285,175	S *	8/1986	Ewry	D9/415
4,630,734	A *	12/1986	Severin et al.	206/461
5,096,058	A *	3/1992	Juravin et al.	206/232
5,190,200	A *	3/1993	Hammerlund	225/42
D353,093	S *	12/1994	Park	D9/415
5,497,876	A *	3/1996	Fleming	206/232
5,697,502	A *	12/1997	Linz	206/779
6,523,285	B1 *	2/2003	Gilson et al.	40/124.03
D546,667	S *	7/2007	Sexton, Jr.	D9/415
D581,263	S *	11/2008	Suyama et al.	D9/415
2002/0036152	A1 *	3/2002	Saiki et al.	206/485

\* cited by examiner

*Primary Examiner*—Daniel D Bui

*Assistant Examiner*—Thomas J Johannes

(74) *Attorney, Agent, or Firm*—Erickson, Kernell, Derousseau  
& Kleypas, LLC; Sean T. Bradley

(57) **CLAIM**

The ornamental design for a gift card box, as shown and described.

**DESCRIPTION**

FIG. 1 is a front, left perspective view of a gift card box according to the present invention with the front flap shown in an open position;

FIG. 2 is a left side elevational view thereof, the right side being a mirror image of the left side and therefore not illustrated;

FIG. 3 is a front elevational view thereof;

FIG. 4 is a rear elevational view thereof;

FIG. 5 is a top plan view thereof;

FIG. 6 is a bottom plan view thereof;

FIG. 7 is a front, left perspective view of the gift card box of FIG. 1 with the front flap shown in a closed position;

FIG. 8 is a front elevational view thereof;

FIG. 9 is a top plan view thereof;

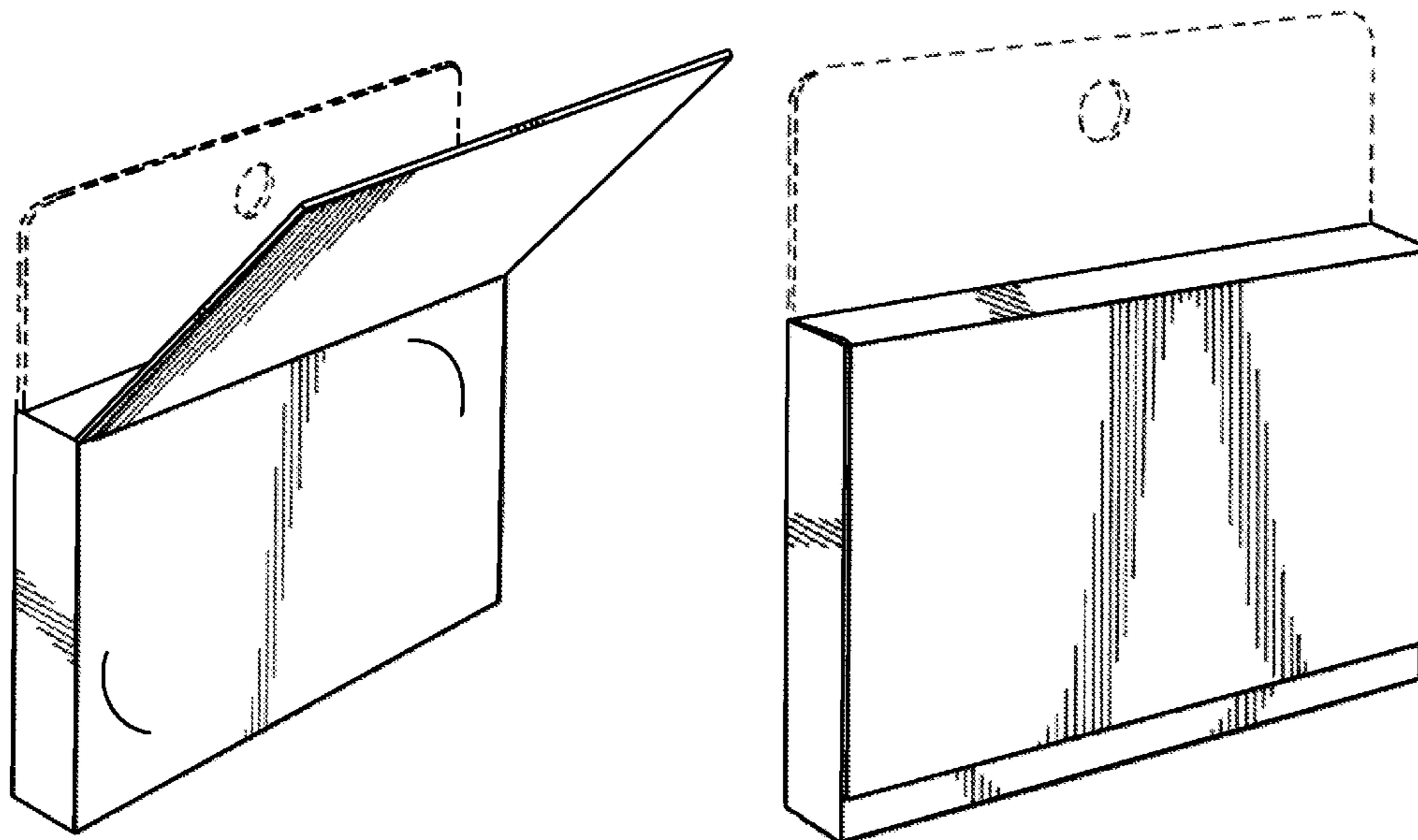
FIG. 10 is a rear elevational view thereof;

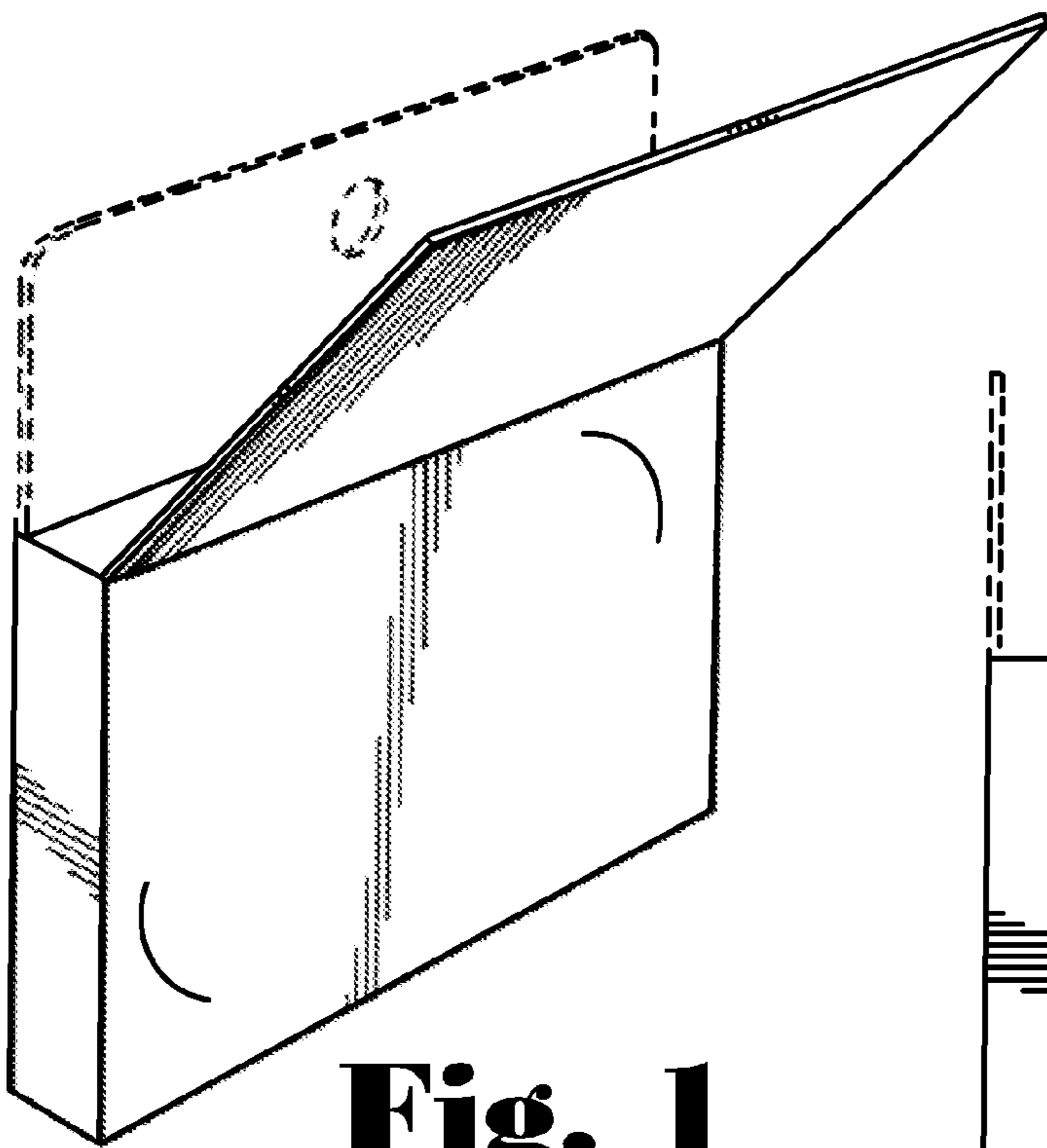
FIG. 11 is a bottom plan view thereof; and,

FIG. 12 is a right side elevational view thereof, the left side being a mirror image of the right side and therefore not illustrated.

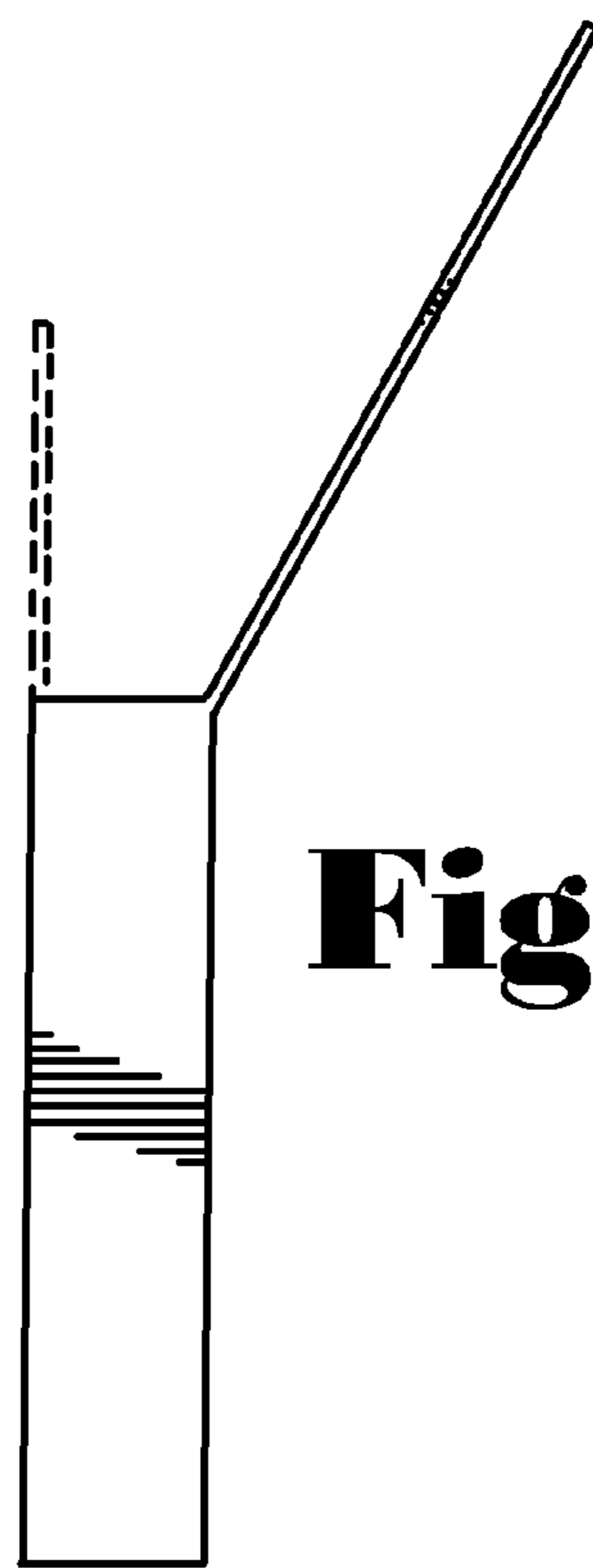
The broken lines in the drawings are for illustrative purposes only and form no part of the claimed design.

**1 Claim, 4 Drawing Sheets**

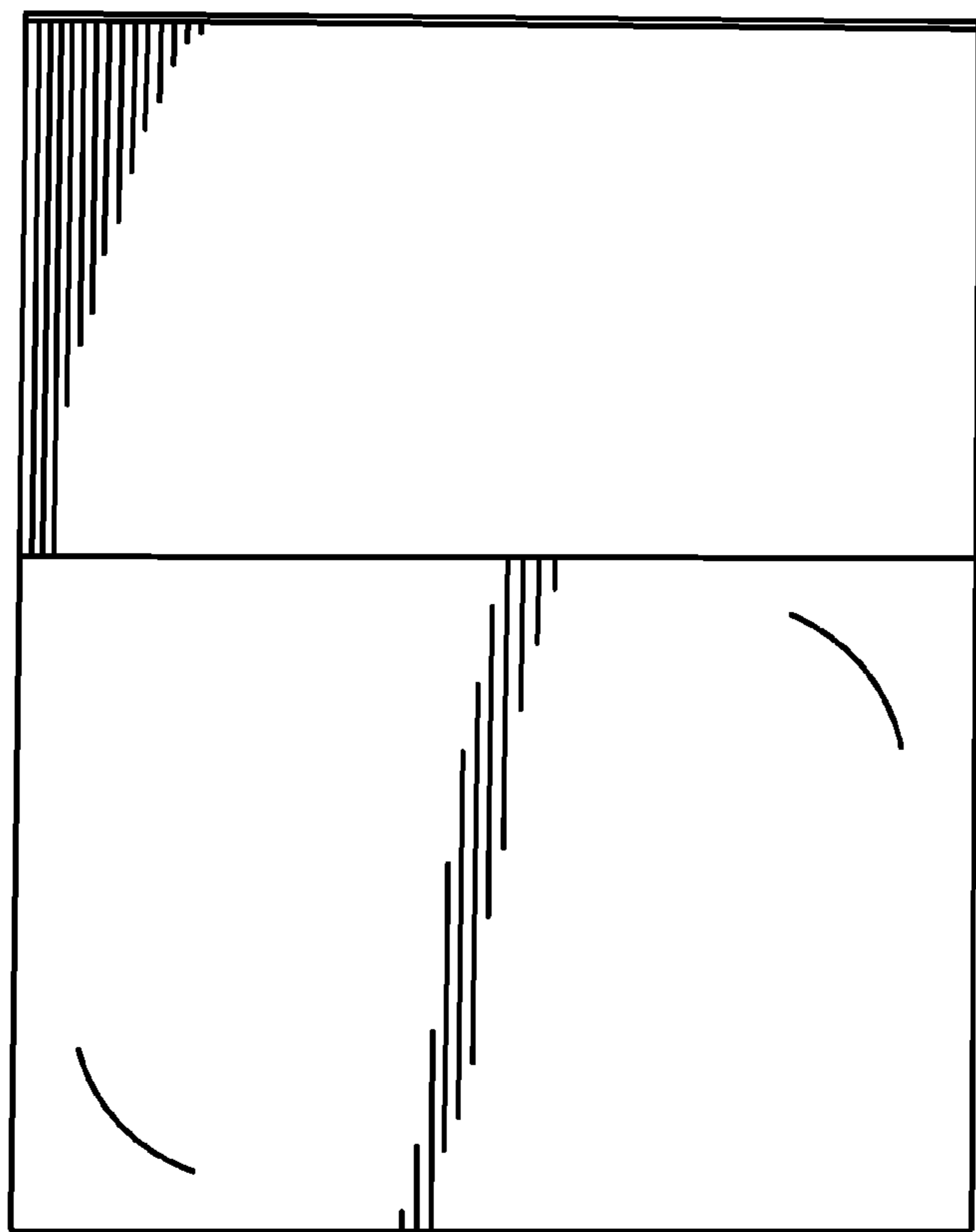




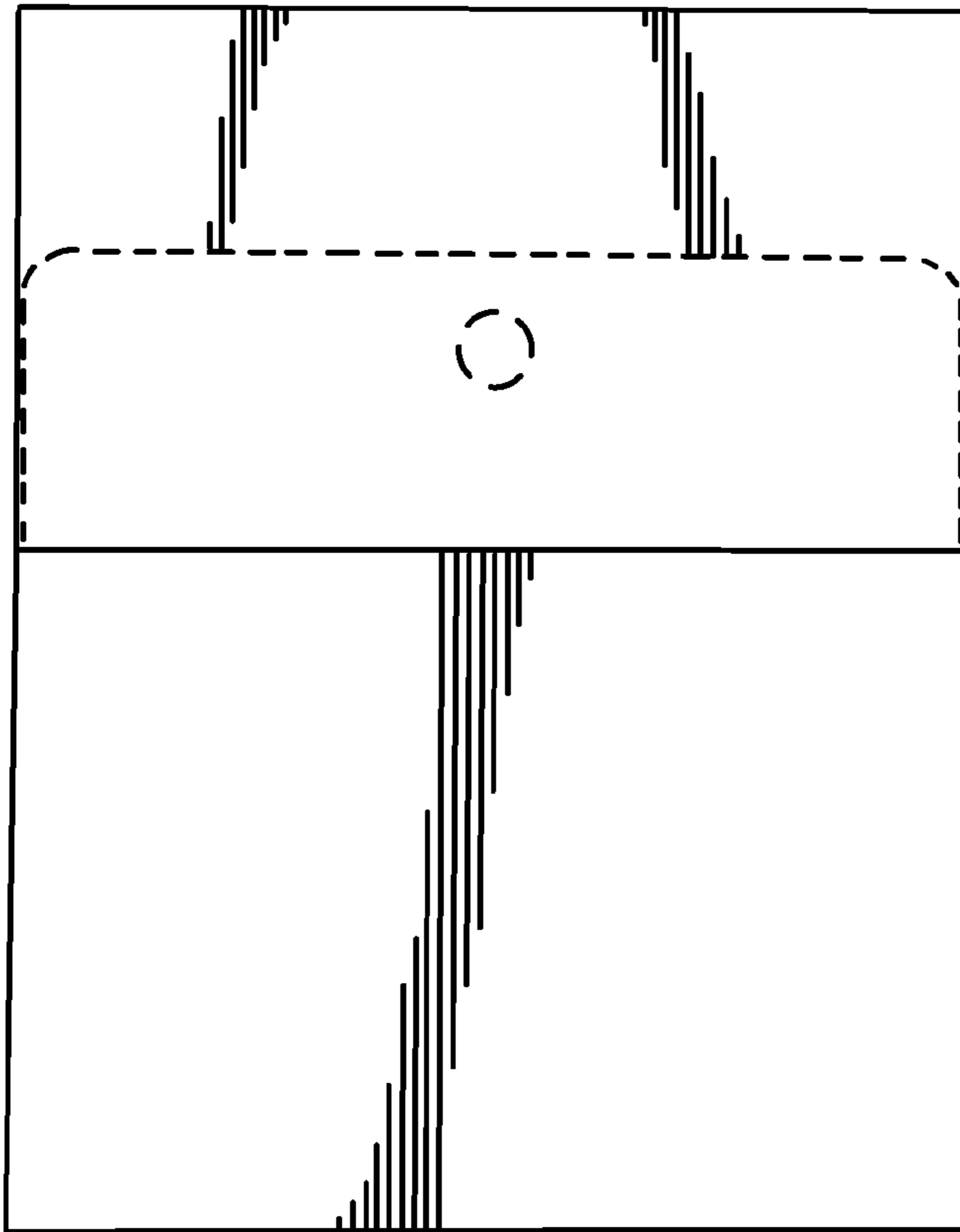
**Fig. 1**



**Fig. 2**

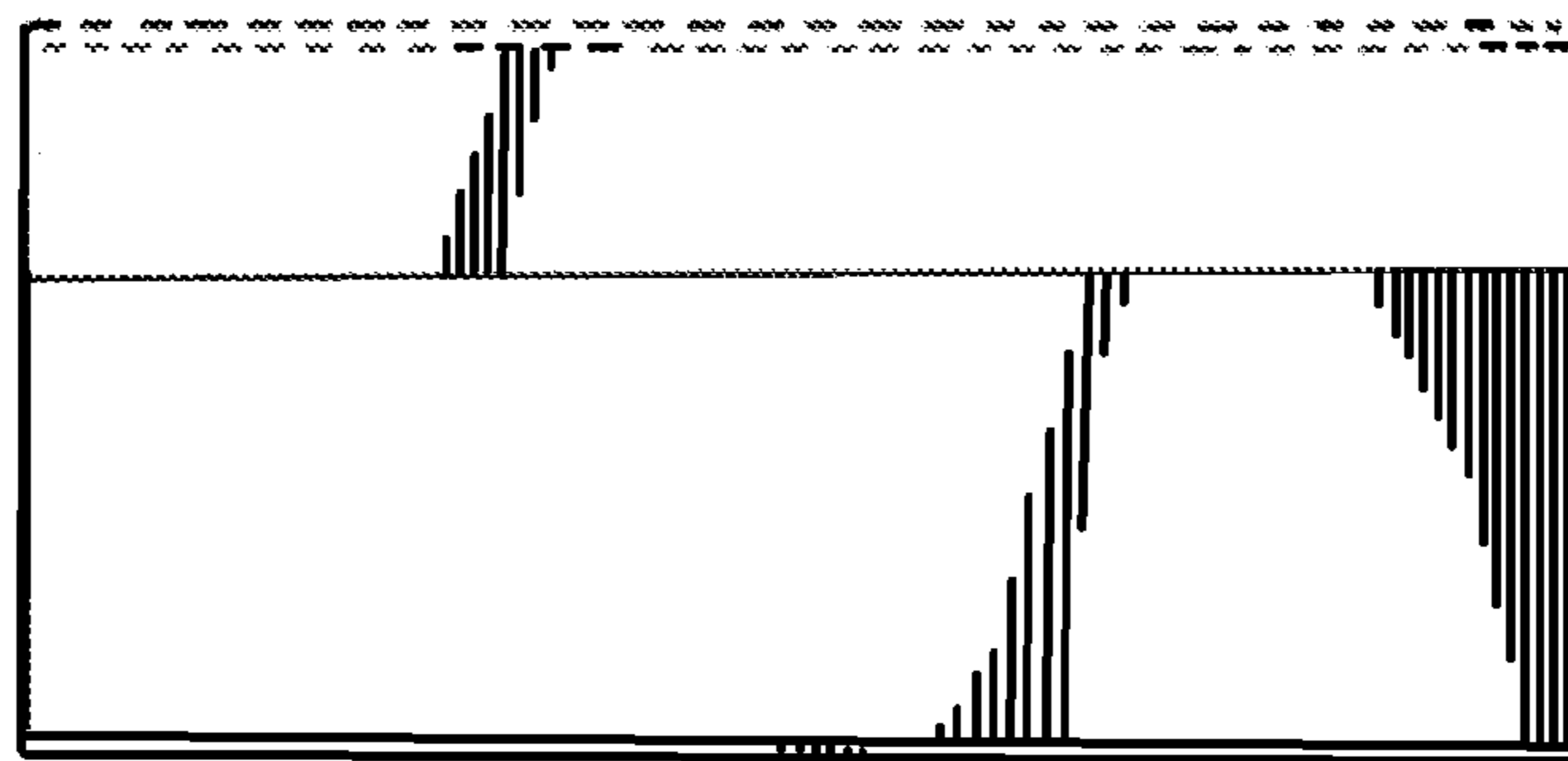


**Fig. 3**

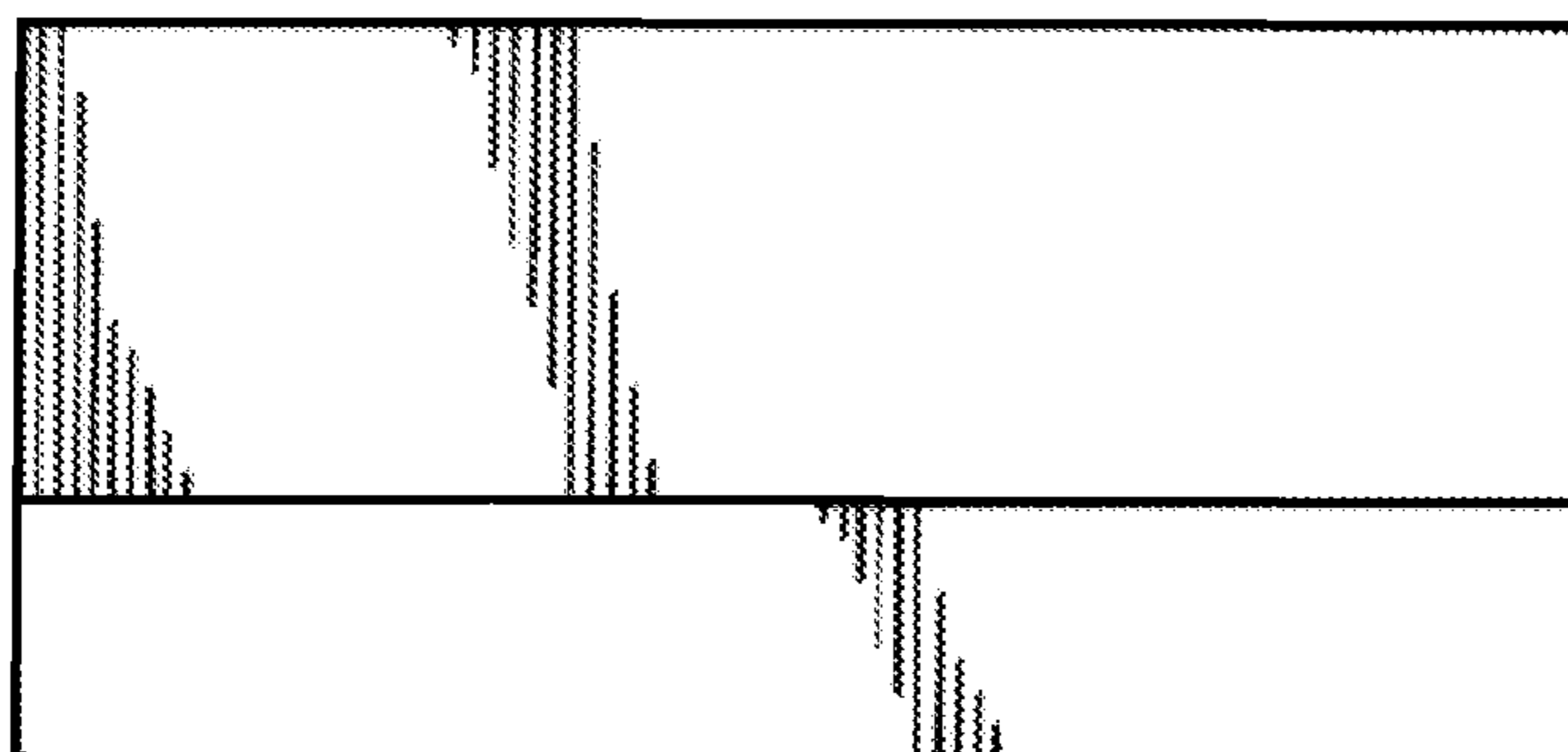


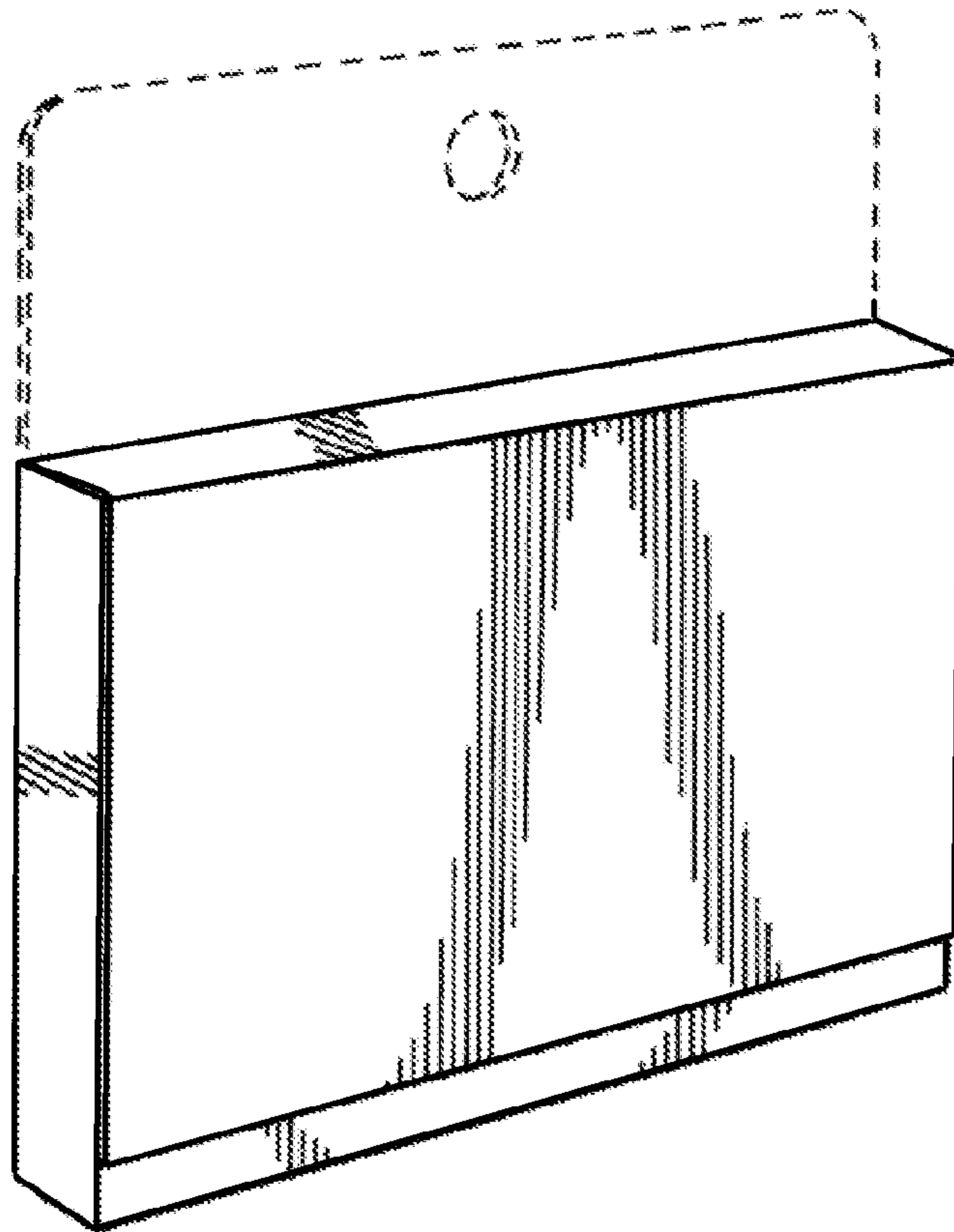
**Fig. 4**

**Fig. 5**

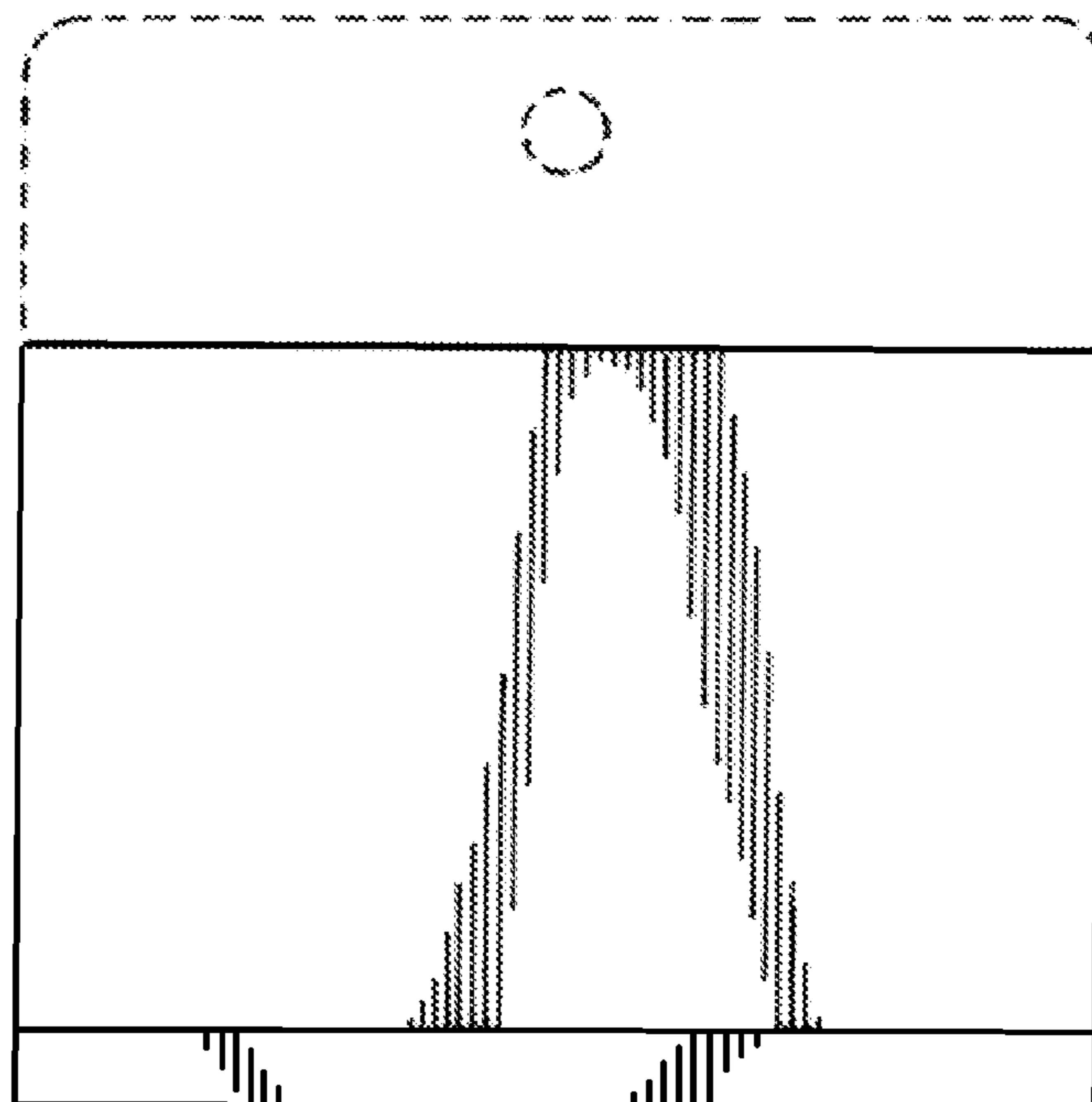


**Fig. 6**

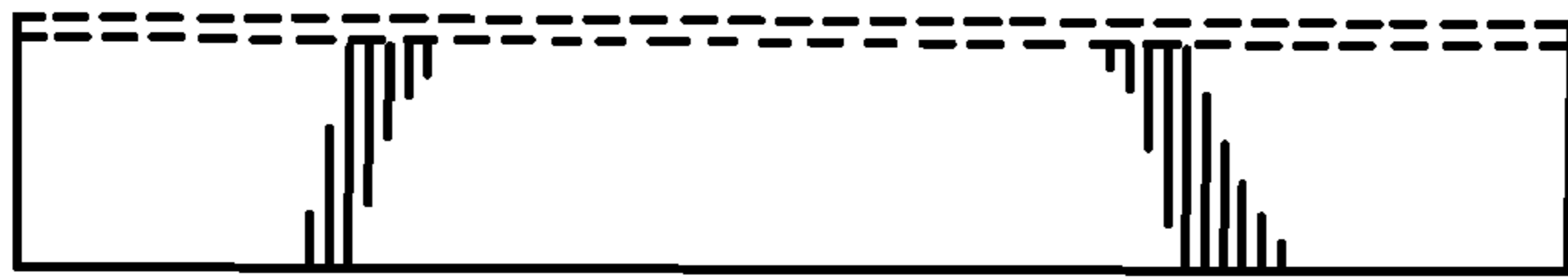




**Fig. 7**

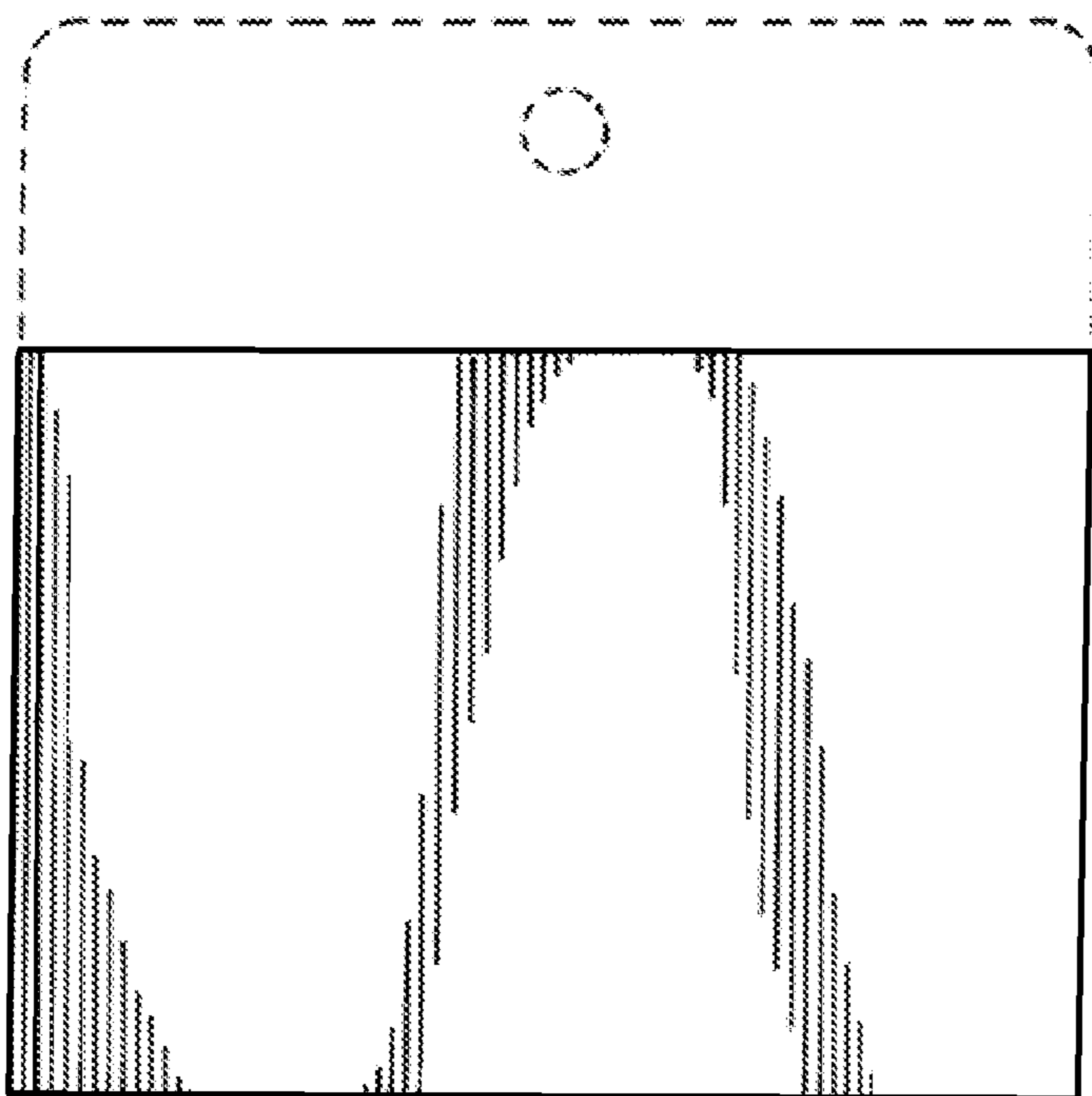


**Fig. 8**

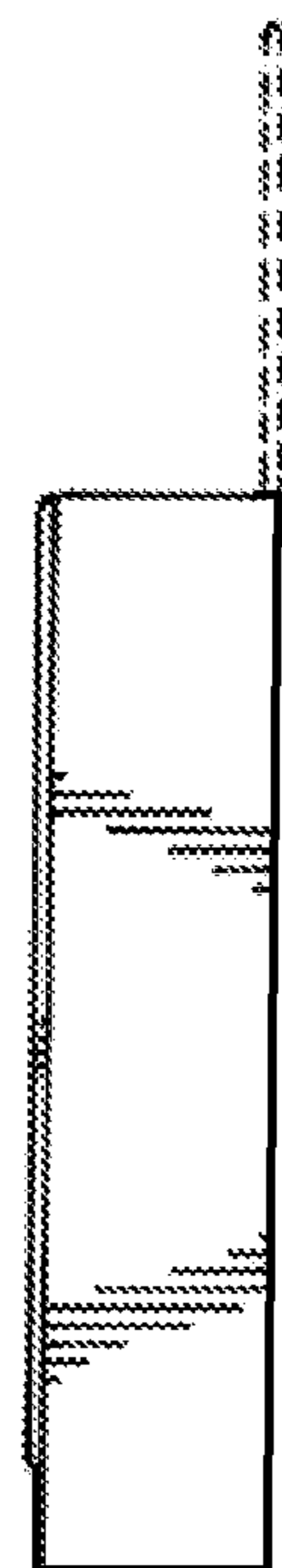


**Fig. 9**

**Fig. 10**



**Fig. 11**



**Fig. 12**

