



US00D592045S

(12) **United States Design Patent**
Banakar et al.

(10) **Patent No.:** **US D592,045 S**

(45) **Date of Patent:** **** May 12, 2009**

(54) **PACKAGE**

(75) Inventors: **Max R. Banakar**, Bellevue, WA (US);
Ross Goldman, Woodinville, WA (US);
James M. Murphy, Mill Creek, WA
(US)

(73) Assignee: **Leviton Manufacturing Co., Inc.**, Little
Neck, NY (US)

(**) Term: **14 Years**

(21) Appl. No.: **29/321,888**

(22) Filed: **Jul. 25, 2008**

(51) **LOC (9) Cl.** **09-03**

(52) **U.S. Cl.** **D9/415; D9/425**

(58) **Field of Classification Search** D9/414-424,
D9/428, 430-434, 450, 454, 500-503, 520-525,
D9/542, 715, 719, 737, 759, 776-777; D7/354,
D7/505, 538, 540, 541-542, 545, 550.1, 560,
D7/565, 584, 586-587, 602, 629, 667; 220/4.23-4.24,
220/23.86, 253, 254.2-254.7, 507, 524, 574,
220/574.3, 776, 780-781, 791-793, 825,
220/835, 839; 206/45.24, 461, 501-509,
206/512, 538, 533-534, 771, 806; 229/123.2-123.3,
229/125.13-125.14; 428/34.1, 35.7, 36.5-36.8;
D30/101, 129; 16/429; D28/76, 83; D3/294,
D3/901

See application file for complete search history.

(56) **References Cited**

U.S. PATENT DOCUMENTS

4,060,173 A * 11/1977 Dahl 220/4.23
4,431,114 A * 2/1984 Kleinfeld 220/835
D273,615 S * 4/1984 Maskrey D24/131
4,632,242 A * 12/1986 Choi et al. 206/45.24
D292,776 S * 11/1987 Cugley D9/415
D297,914 S * 10/1988 Goodman D9/737
D317,864 S * 7/1991 Turk D9/759
D343,356 S * 1/1994 Wittman D9/415
5,383,568 A * 1/1995 Tusick et al. 220/606
5,522,508 A * 6/1996 Pesola 206/579

D380,961 S * 7/1997 Schnack D9/759
D394,004 S * 5/1998 Tate D9/415
D399,134 S * 10/1998 Lidle, Jr. D9/757
D573,459 S * 7/2008 Snider et al. D9/423
2005/0173286 A1 * 8/2005 Hansen 206/472

* cited by examiner

Primary Examiner—Philip S Hyder

Assistant Examiner—Susan E Krakower

(74) *Attorney, Agent, or Firm*—Davis Wright Tremaine LLP;
George C. Rondeau, Jr.

(57) **CLAIM**

The ornamental design for a packaging, as shown and
described.

DESCRIPTION

FIG. 1 is a front perspective view of a packaging showing our
new design in an open state.

FIG. 2 is a rear perspective view thereof.

FIG. 3 is a front elevational view thereof.

FIG. 4 is a rear elevational view thereof.

FIG. 5 is a right side elevational view thereof.

FIG. 6 is a left side elevational view thereof.

FIG. 7 is a top end elevational view thereof.

FIG. 8 is a bottom end elevational view thereof.

FIG. 9 is a front perspective view of the package insert shown
removed to show aspects of the design not apparent from
FIGS. 1-8.

FIG. 10 is a rear perspective view thereof.

FIG. 11 is a front elevational view thereof.

FIG. 12 is a rear elevational view thereof.

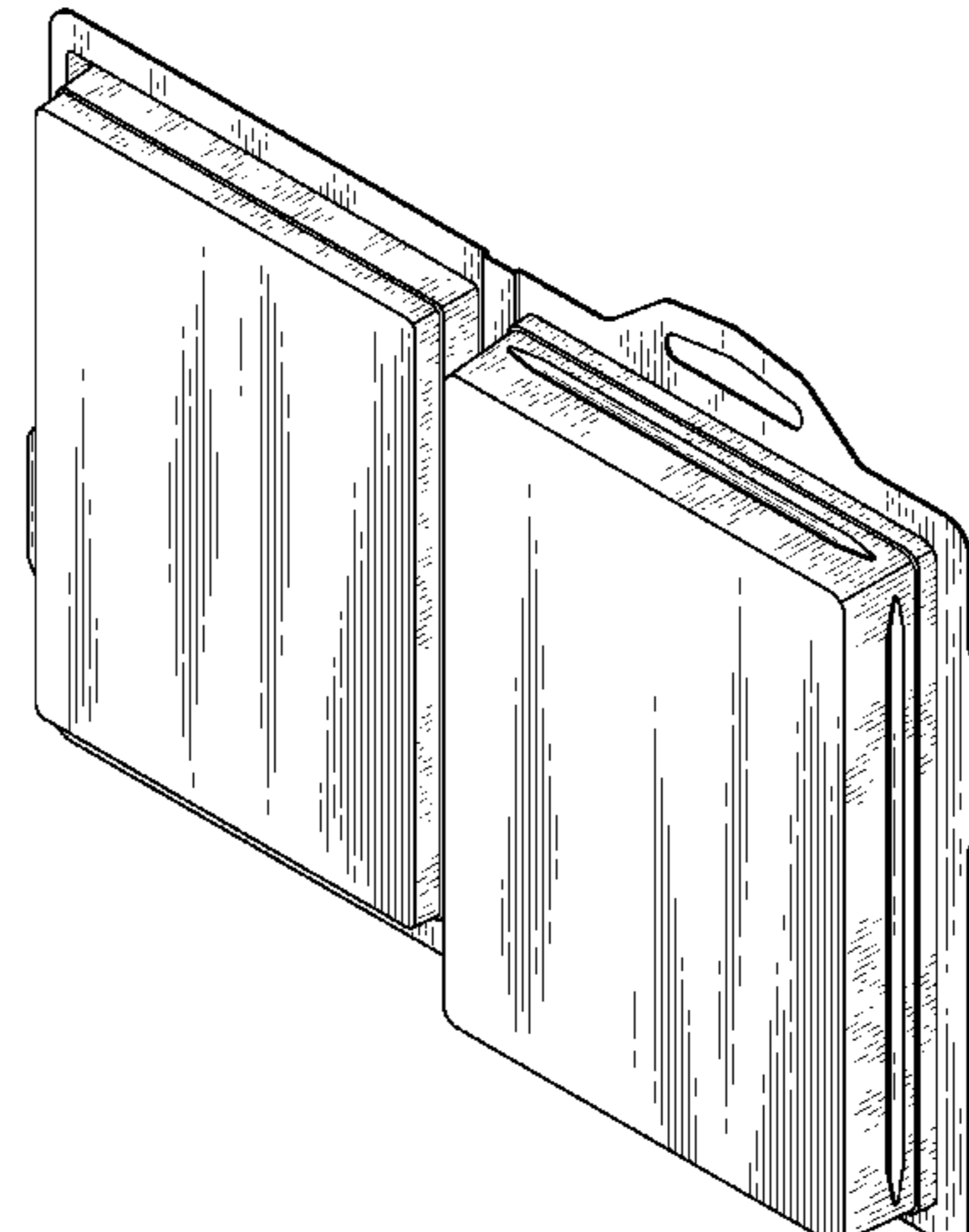
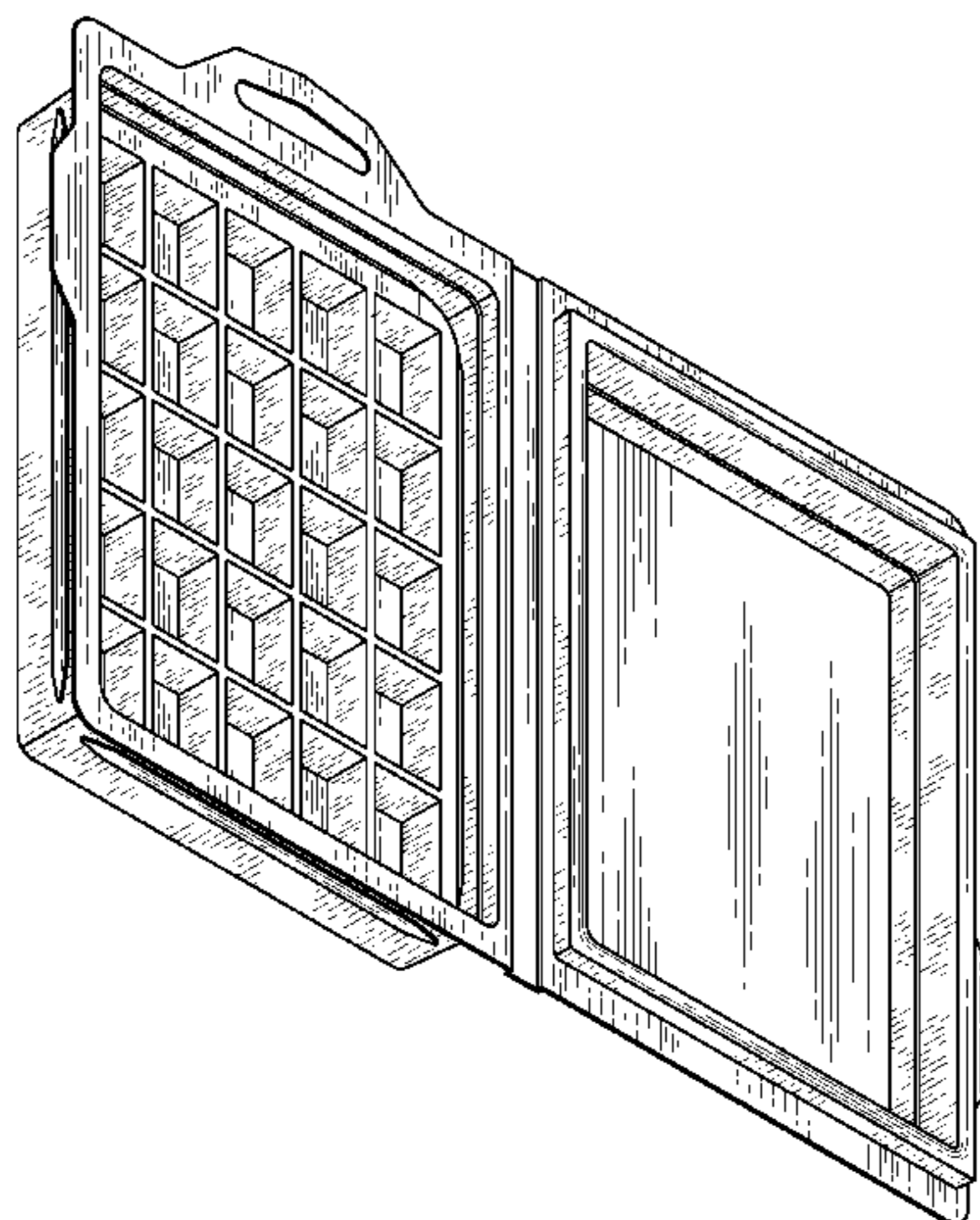
FIG. 13 is a right side elevational view thereof.

FIG. 14 is a left side elevational view thereof.

FIG. 15 is a top end elevational view thereof; and,

FIG. 16 is a bottom end elevational view thereof.

1 Claim, 10 Drawing Sheets



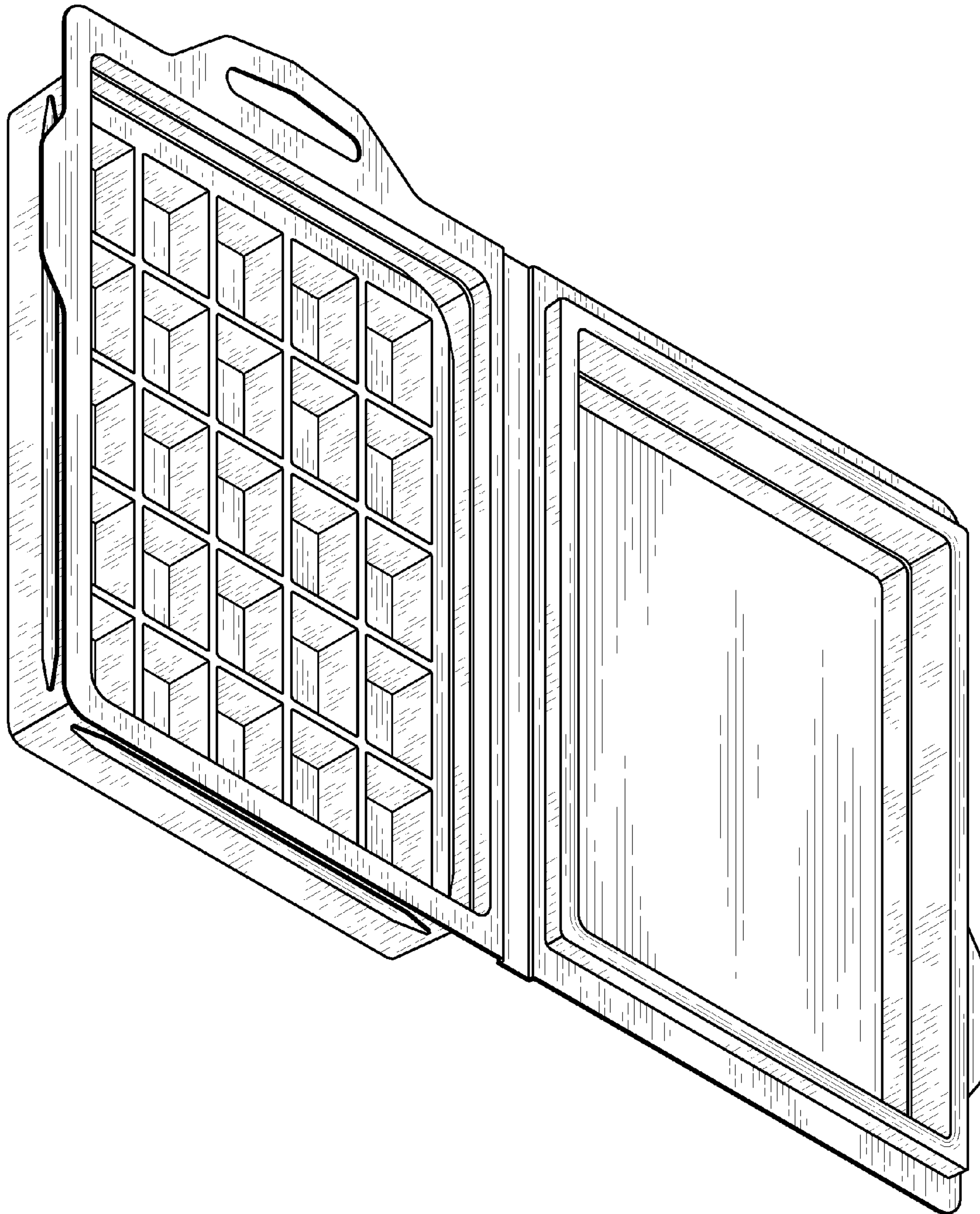


Fig. 1

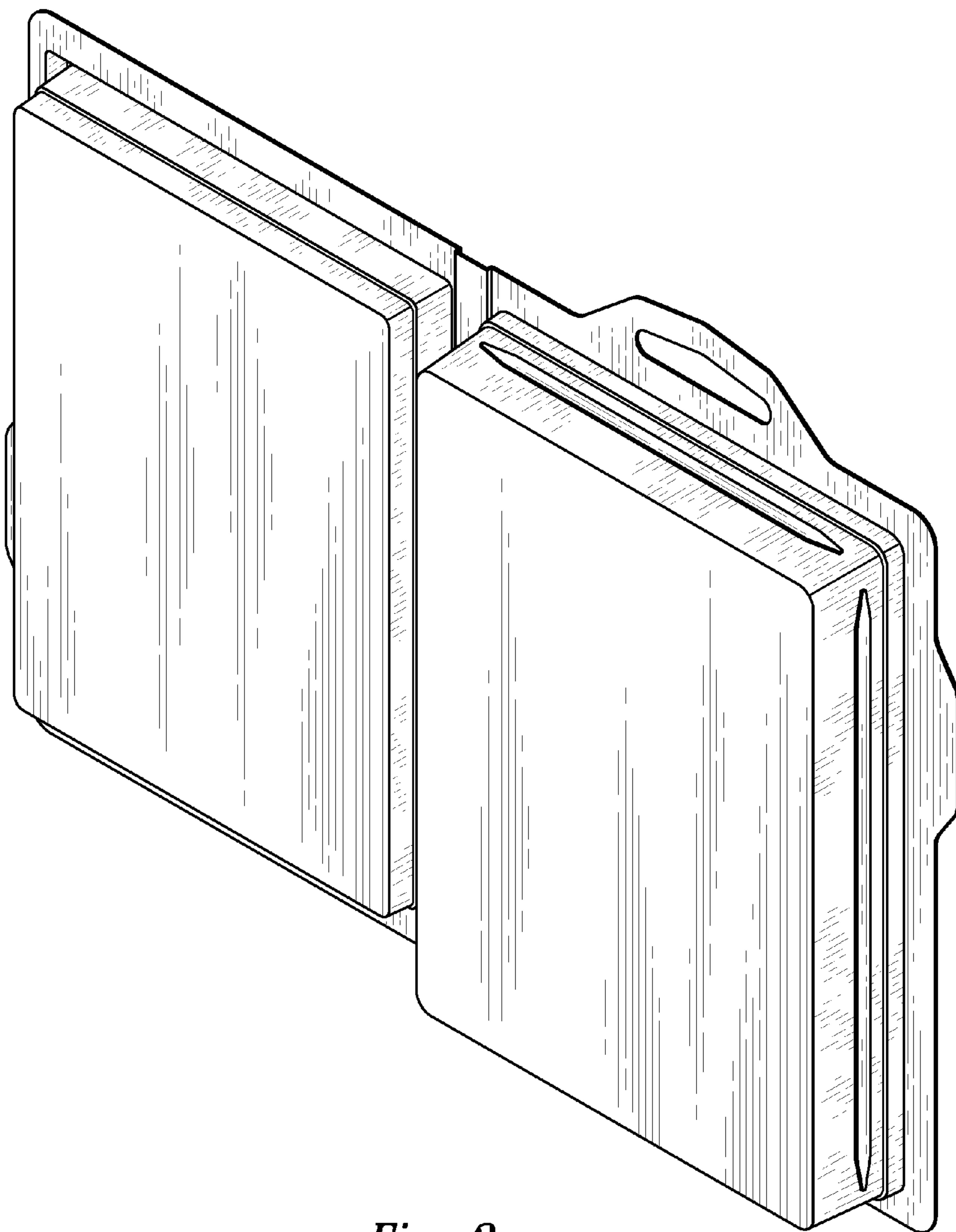


Fig. 2

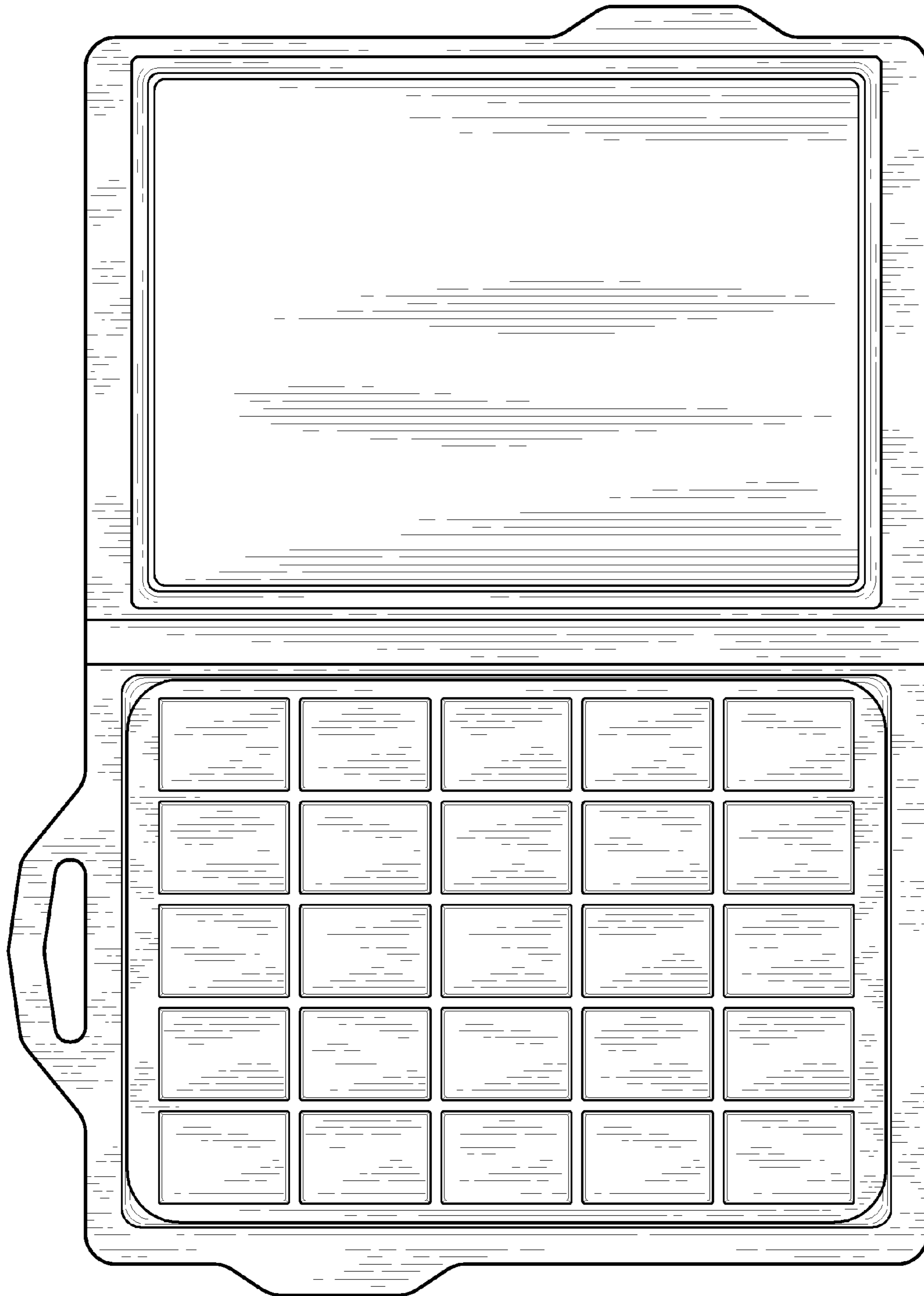


Fig. 3

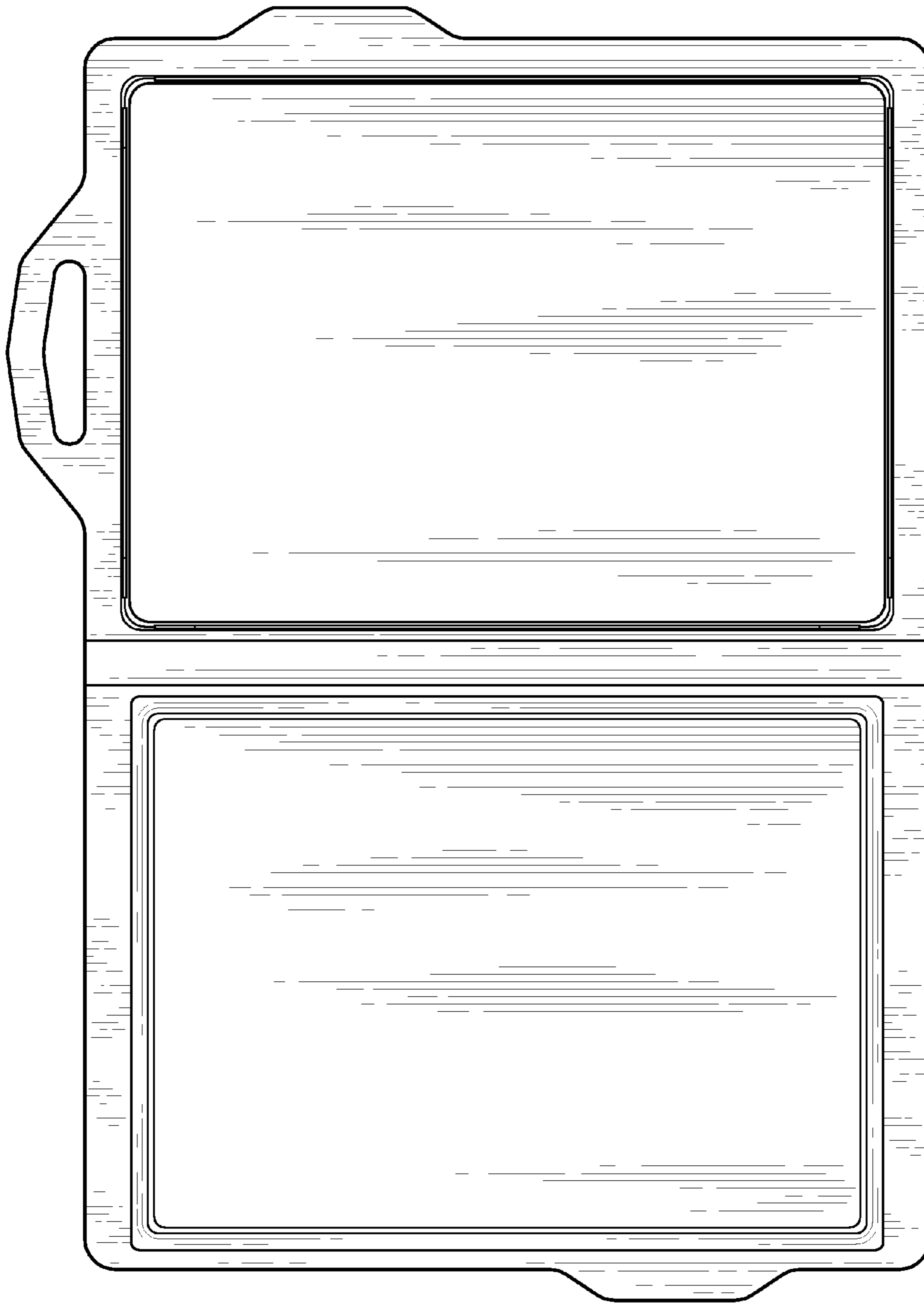


Fig. 4

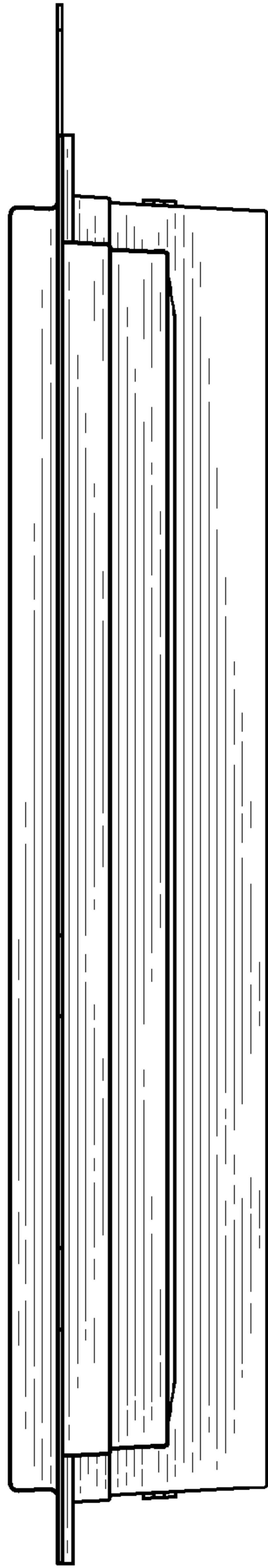


Fig. 5

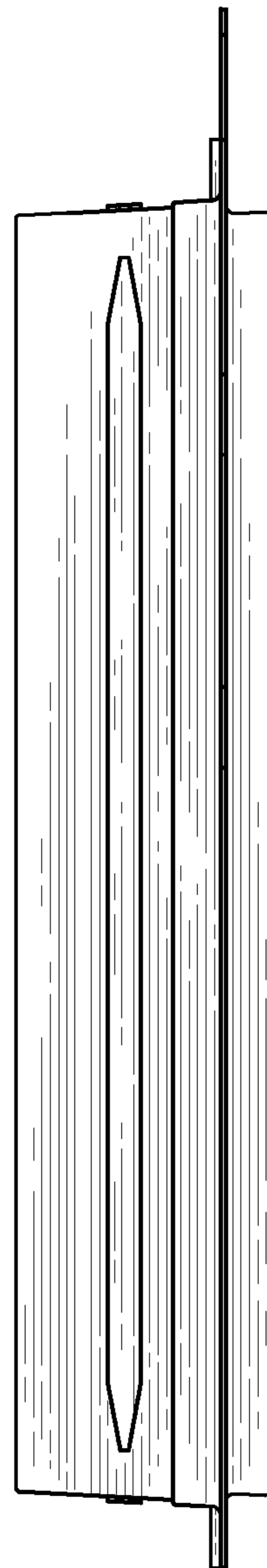


Fig. 6

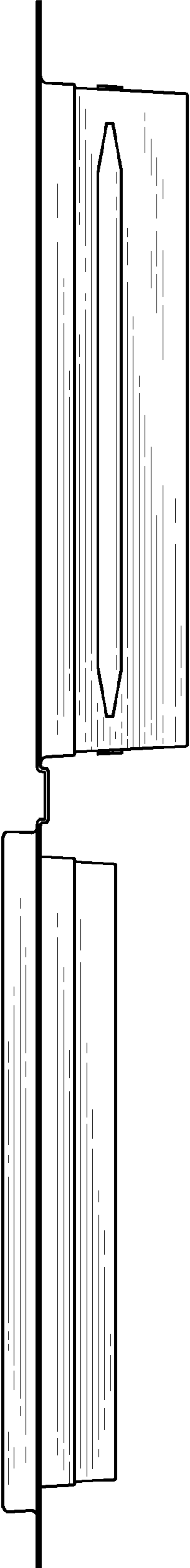


Fig. 7

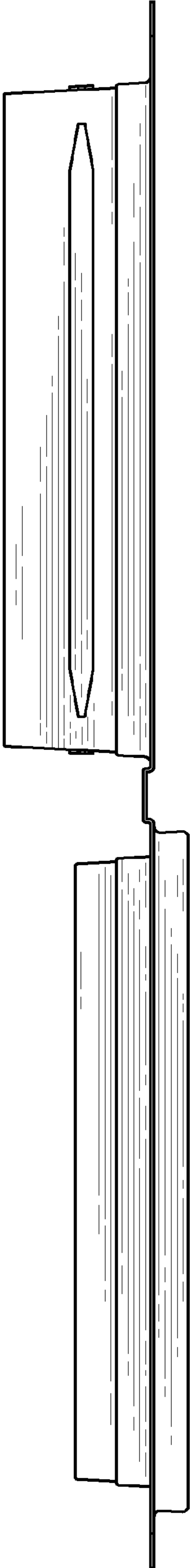


Fig. 8

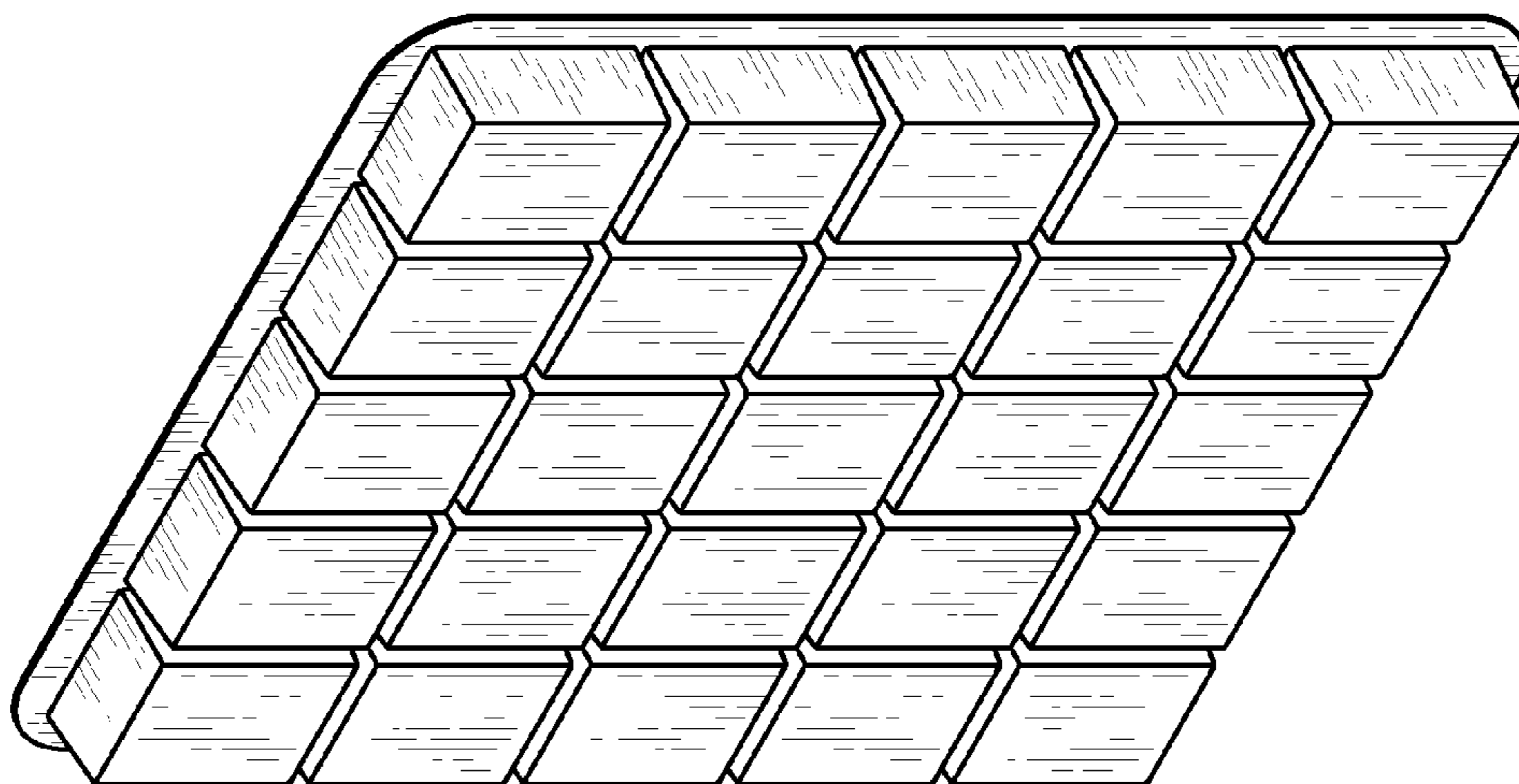


Fig. 10

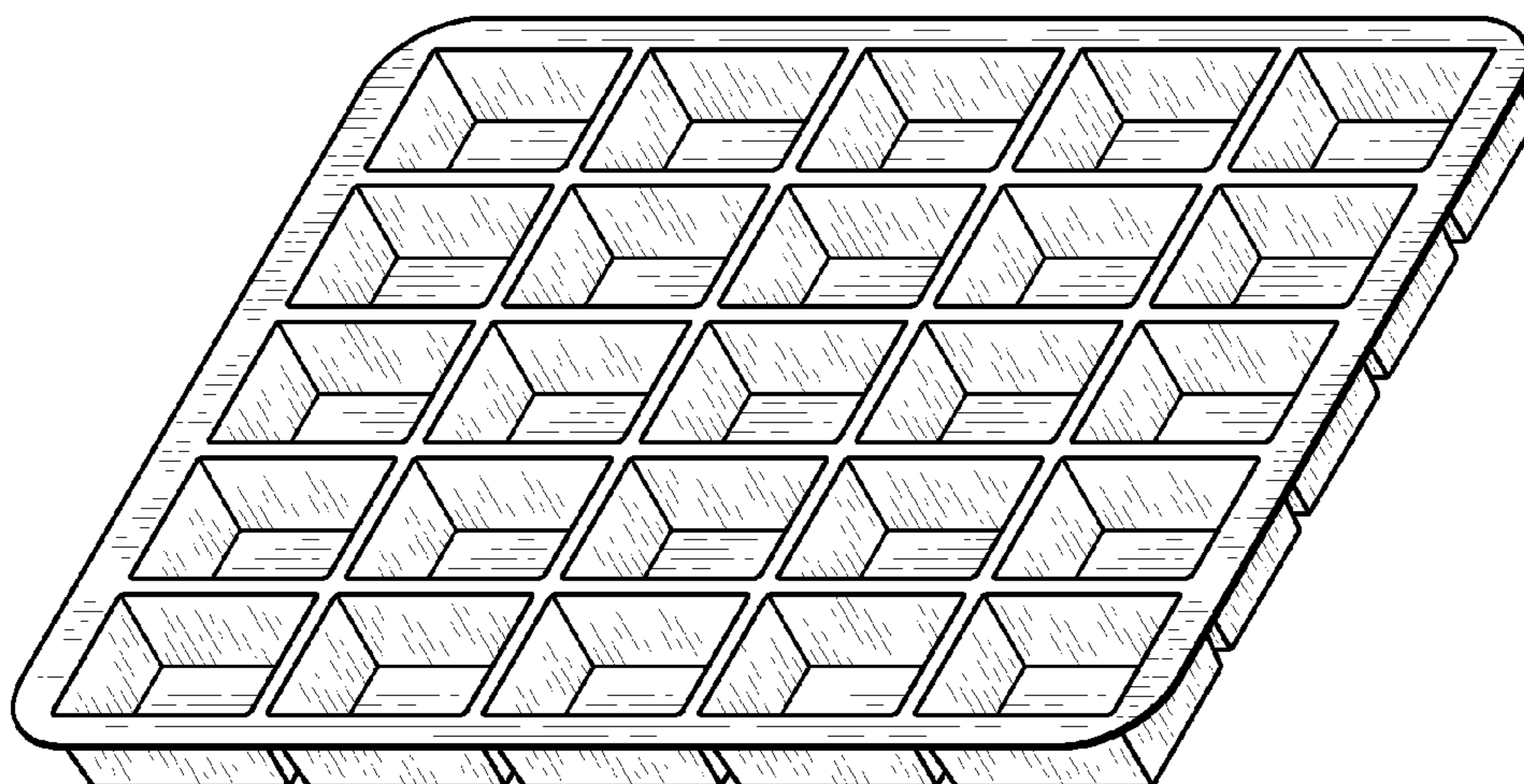


Fig. 9

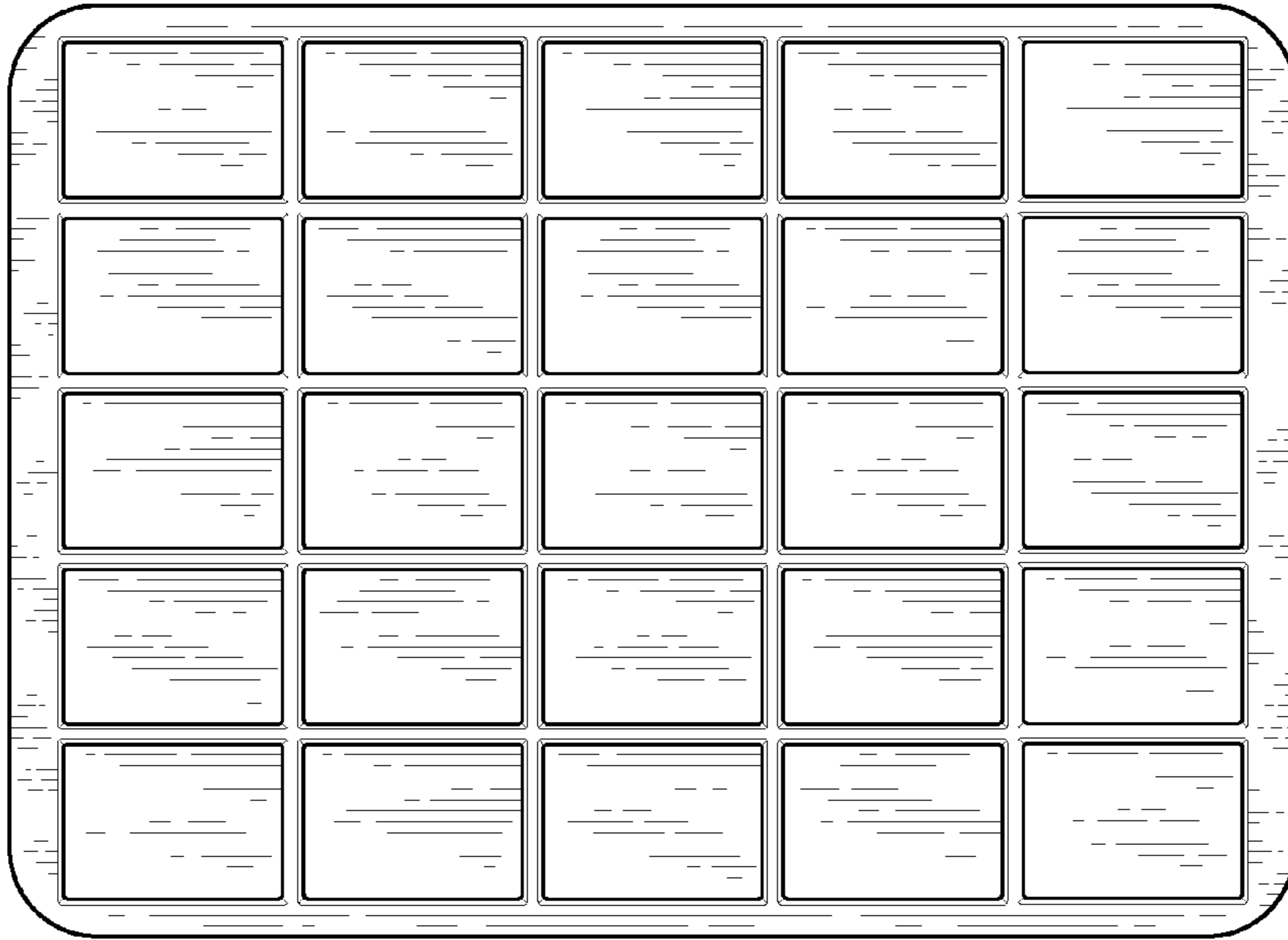


Fig. 12



Fig. 11

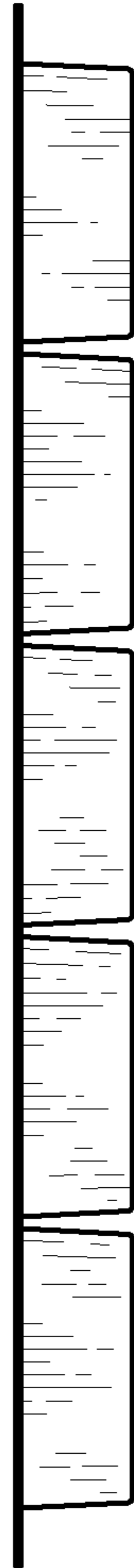


Fig. 13

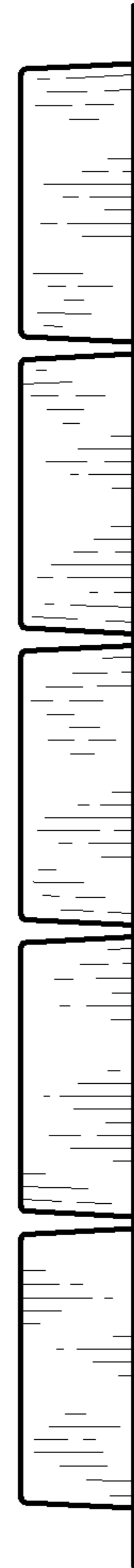


Fig. 14

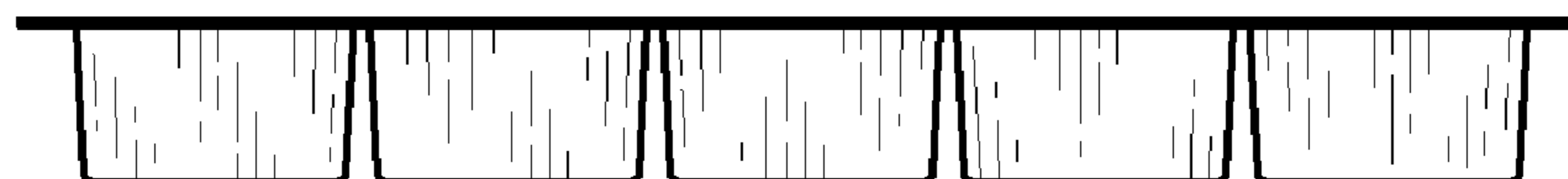


Fig. 15

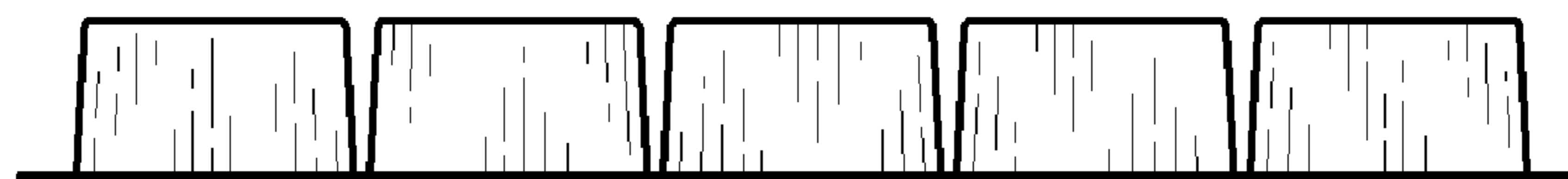


Fig. 16