



US00D592042S

(12) **United States Design Patent**
Brodbeck

(10) **Patent No.:** **US D592,042 S**

(45) **Date of Patent:** **** May 12, 2009**

(54) **WHEEL FOR CASTORS**

(75) Inventor: **Stefan Brodbeck**, Munich (DE)

(73) Assignee: **Gross + Froelich GmbH & Co. KG**,
Weil Der Stadt (DE)

(**) Term: **14 Years**

(21) Appl. No.: **29/310,358**

(22) Filed: **Aug. 11, 2008**

(30) **Foreign Application Priority Data**

Feb. 13, 2008 (DE) 40 2008 000 716

(51) **LOC (9) Cl.** **08-05**

(52) **U.S. Cl.** **D8/375**

(58) **Field of Classification Search** D8/375;
D34/27; D3/318; D12/501, 209, 208; 16/47,
16/46, 45, 35 R, 35 D, 31 R, 29, 22, 18 R,
16/18 CG

See application file for complete search history.

(56) **References Cited**

U.S. PATENT DOCUMENTS

D389,101 S * 1/1998 Julien D12/501

D405,747 S * 2/1999 Sacco et al. D12/209

D454,822 S * 3/2002 Leutz D12/209

D473,379 S * 4/2003 Moon D3/318

D570,757 S * 6/2008 Kiesel D12/209

D576,795 S * 9/2008 Moon D3/318

* cited by examiner

Primary Examiner—Susan Bennett Hattan

(74) *Attorney, Agent, or Firm*—Flynn, Thiel, Boutell & Tanis,
P.C.

(57) **CLAIM**

The ornamental design for a wheel for castors, as shown and described.

DESCRIPTION

FIG. 1 is a front isometric view of a wheel for castors embodying my new design;

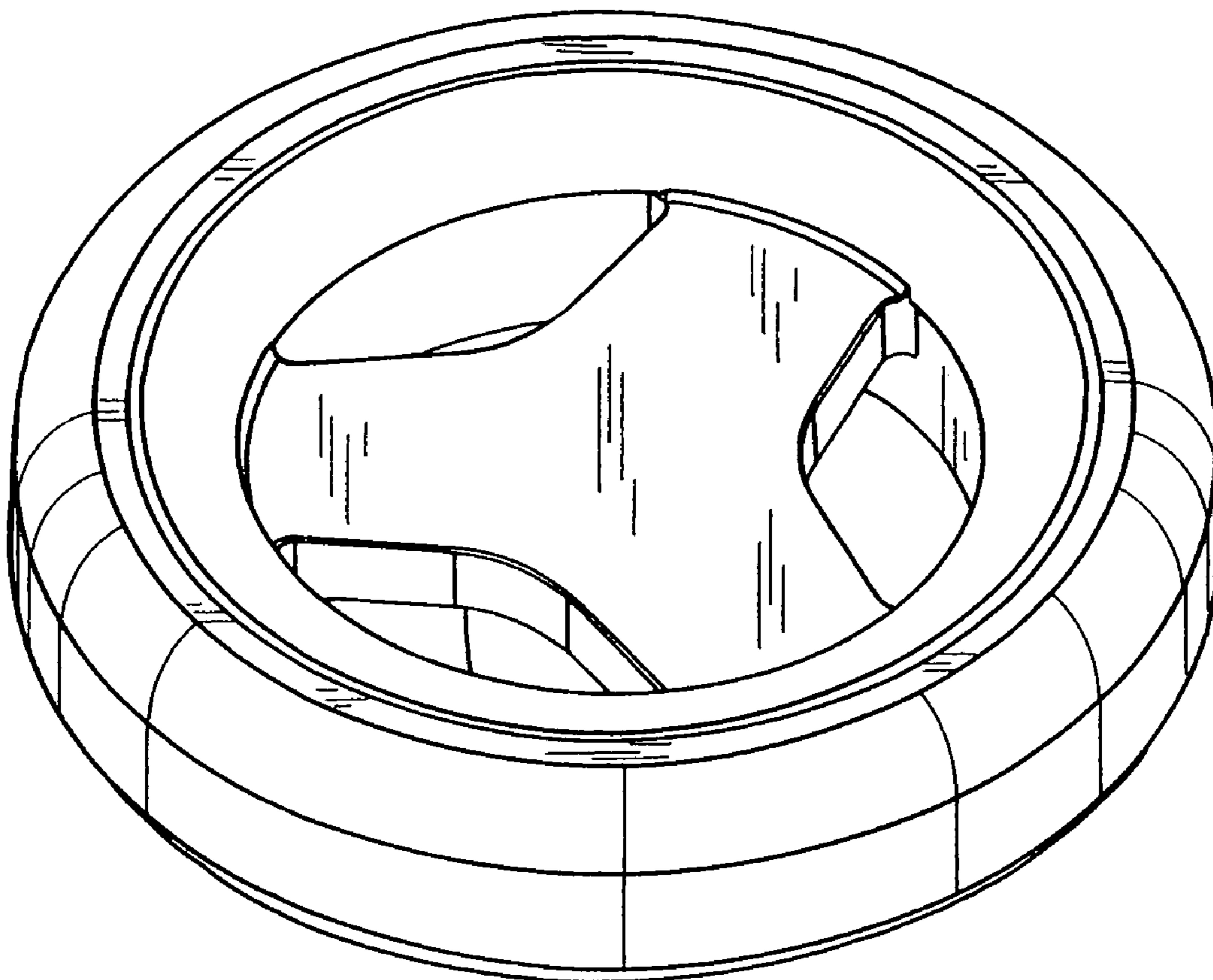
FIG. 2 is a front view thereof;

FIG. 3 is a rear isometric view thereof;

FIG. 4 is a rear view thereof; and,

FIG. 5 is an edge view thereof.

1 Claim, 3 Drawing Sheets



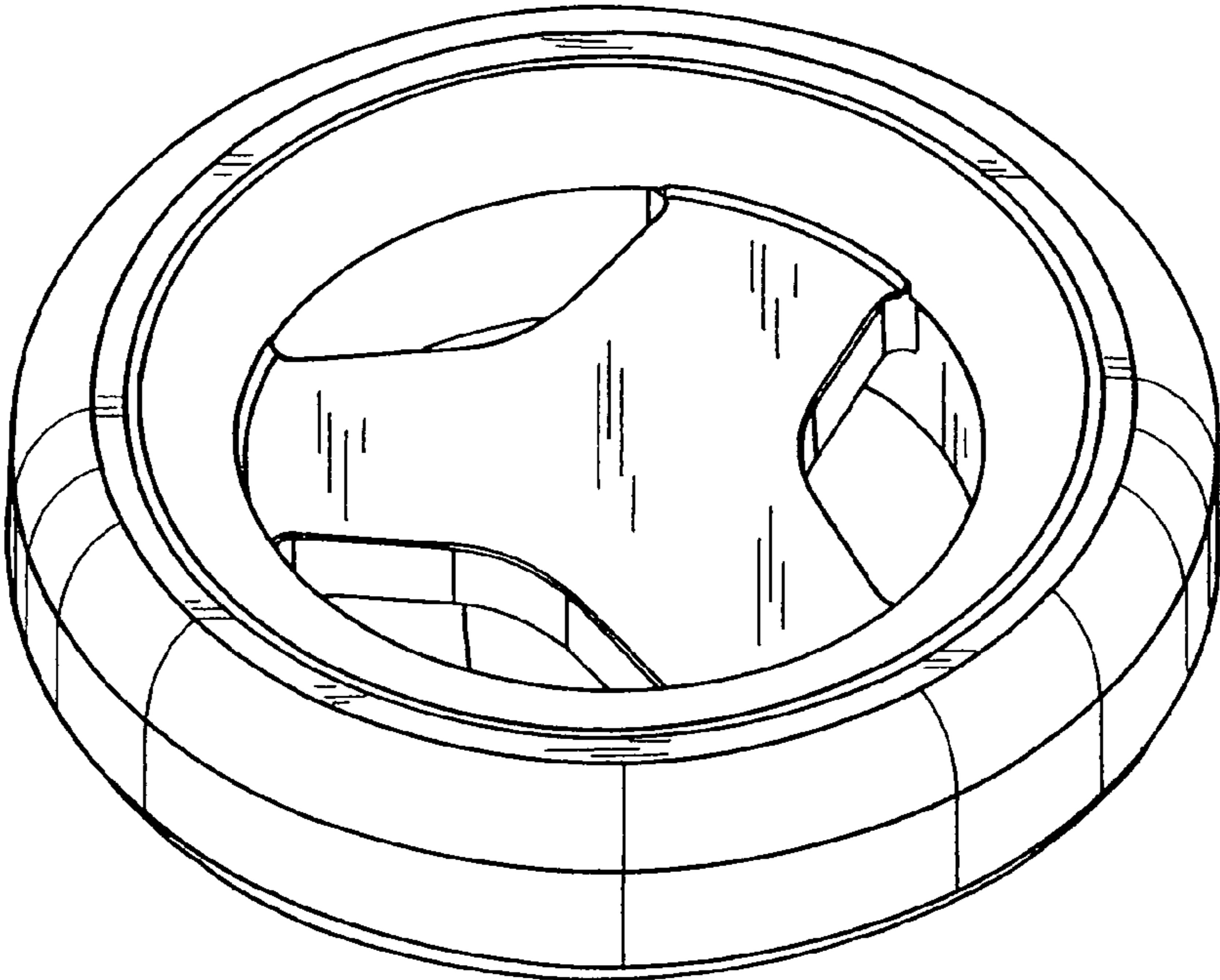


FIG. 1

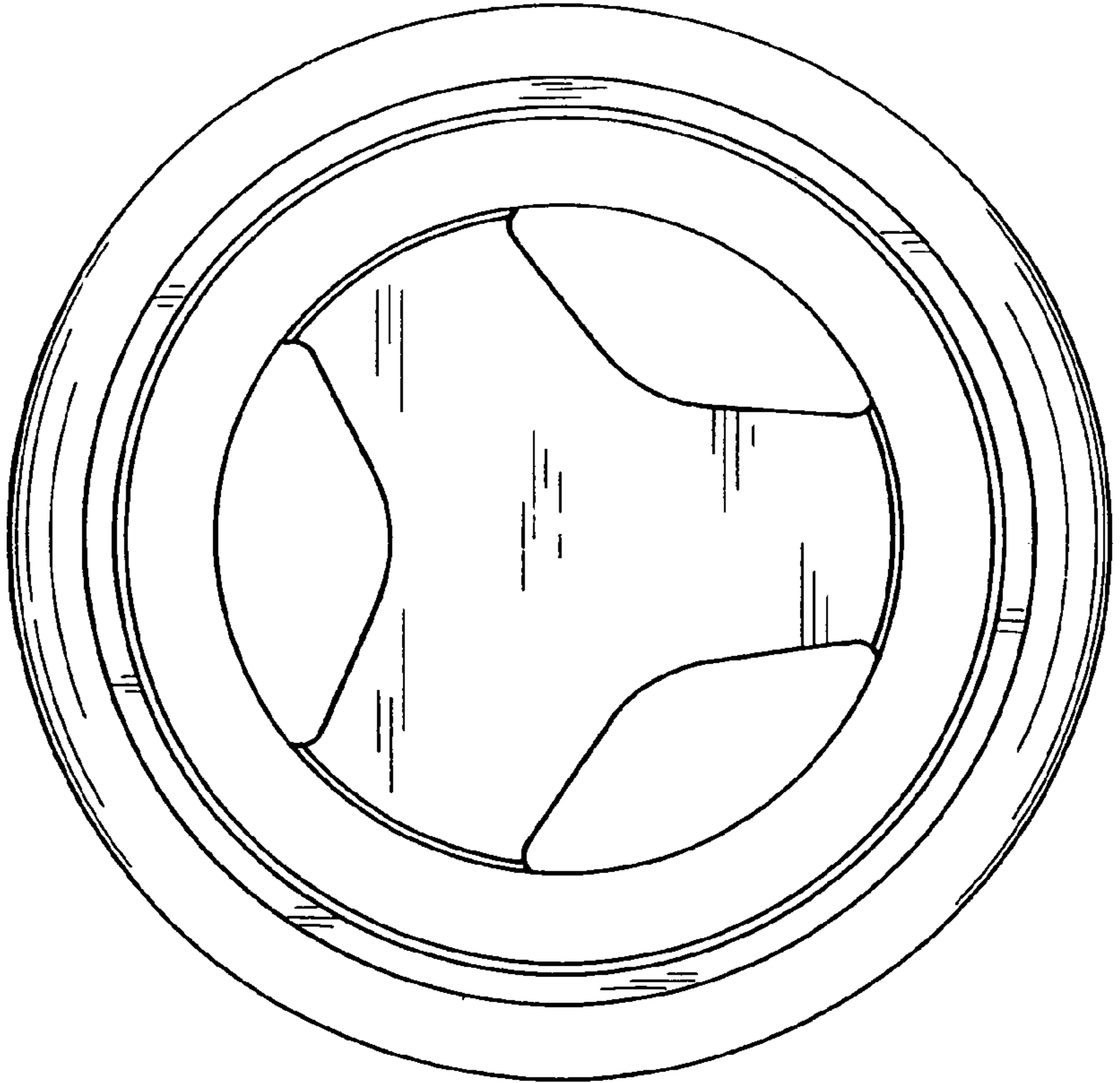


FIG. 2

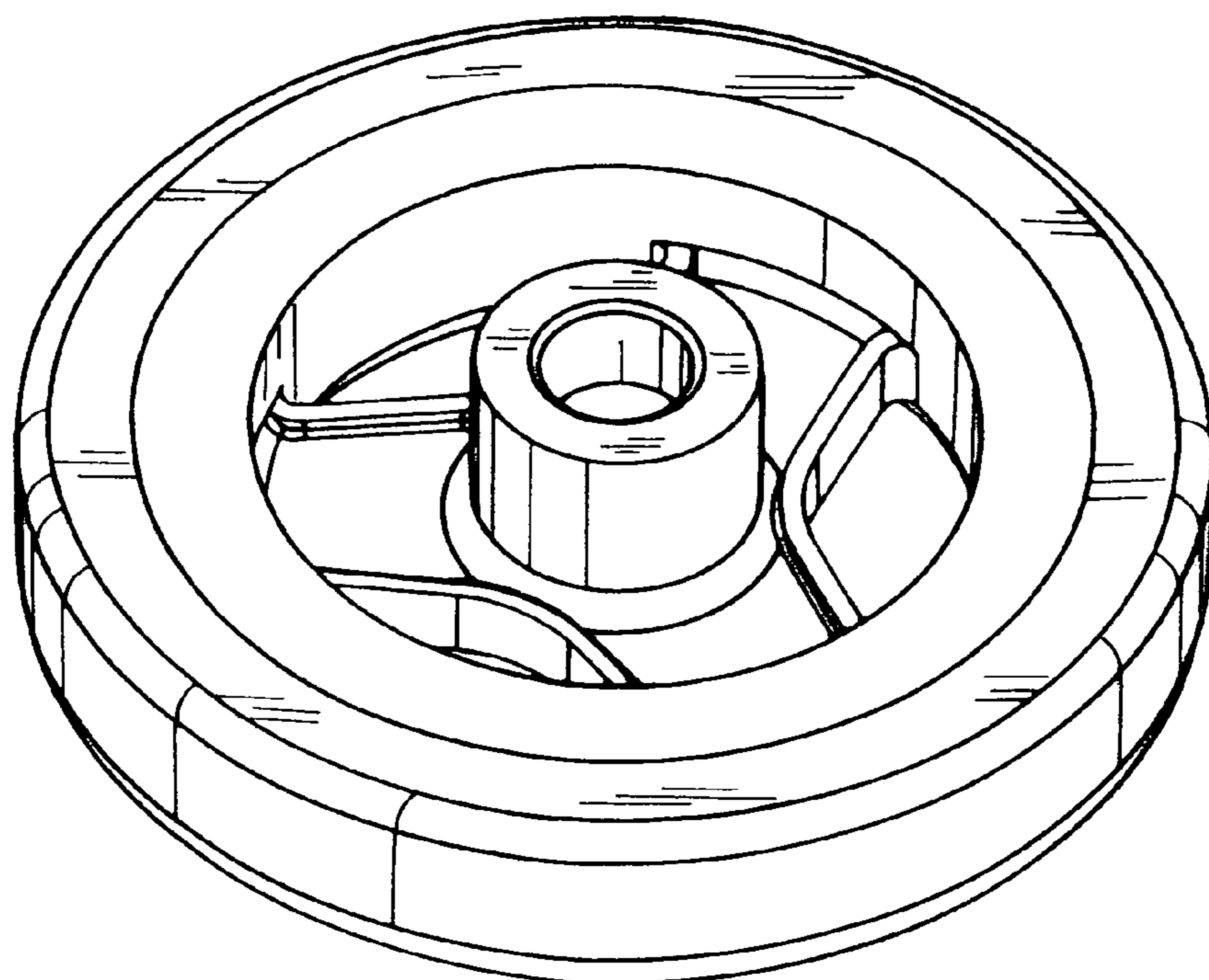


FIG. 3

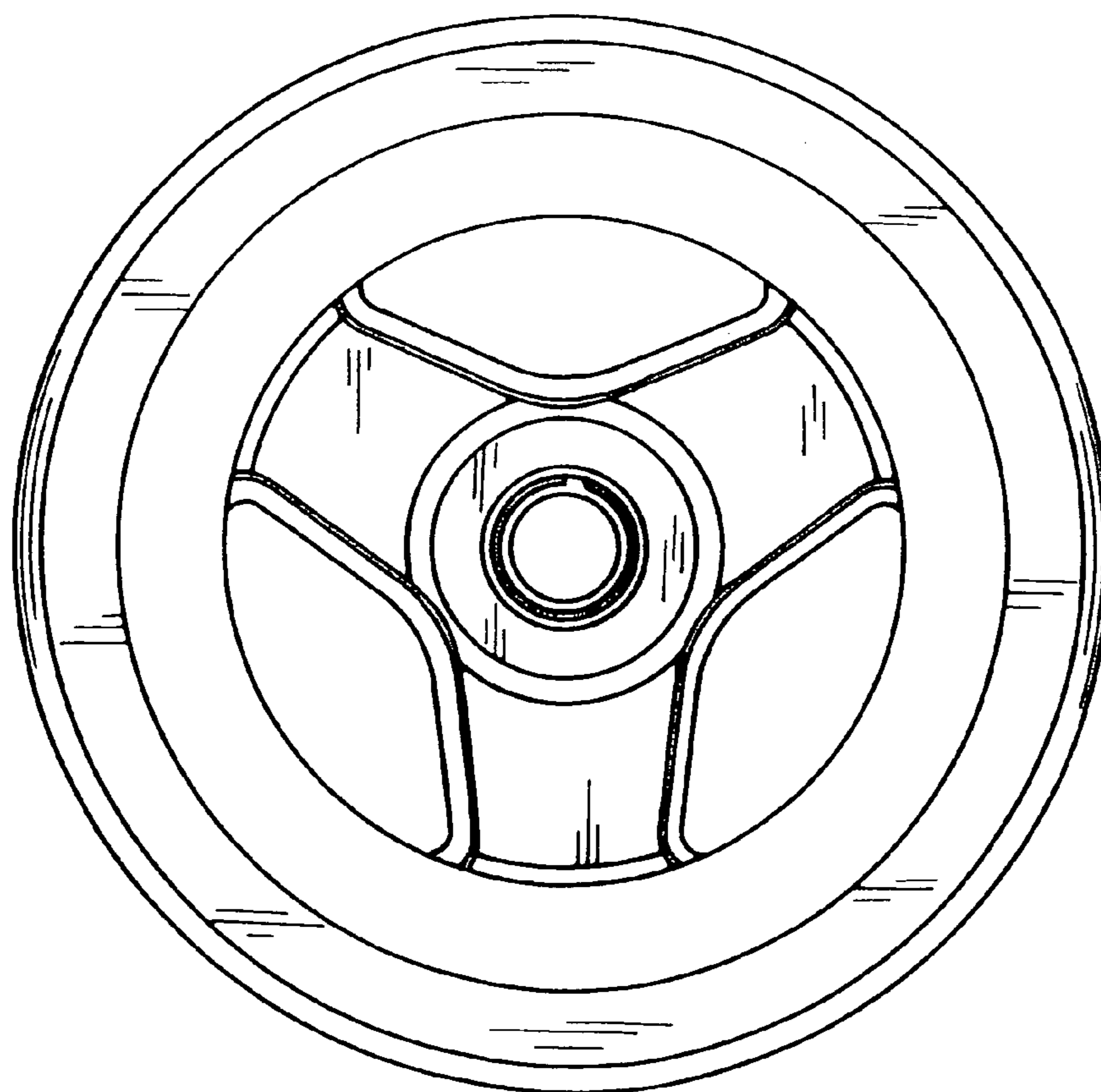


FIG. 4

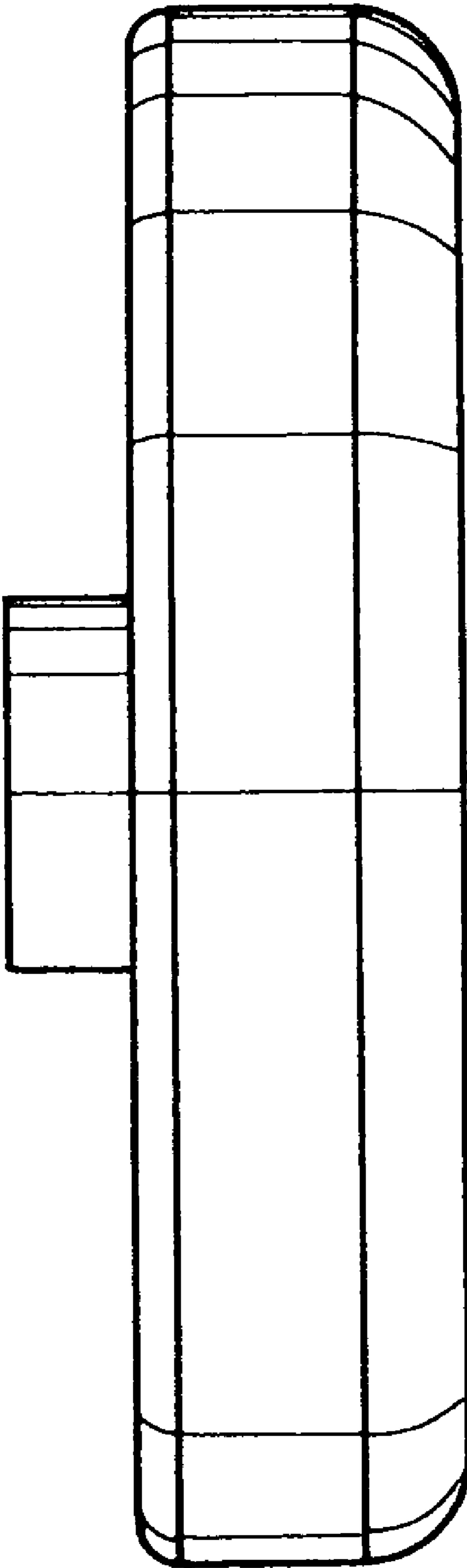


FIG. 5