

US00D592039S

(12) **United States Design Patent**  
**Okuda**

(10) **Patent No.:** **US D592,039 S**

(45) **Date of Patent:** **\*\* May 12, 2009**

(54) **ELECTRICAL CORD ORGANIZER**

(76) Inventor: **Hideki Okuda**, 2124 Floyd St.,  
Burbank, CA (US) 91504

(\*\*) Term: **14 Years**

(21) Appl. No.: **29/292,044**

(22) Filed: **Sep. 25, 2007**

(51) **LOC (9) Cl.** ..... **08-08**

(52) **U.S. Cl.** ..... **D8/356**

(58) **Field of Classification Search** ..... D8/105,  
D8/107, 333, 349, 354, 356, 358, 367, 373,  
D8/382, 383, 394-396, 400; D23/261; D26/38;  
24/197, 561; 174/153 G, 650, 656; 242/400.1,  
242/405.1, 405.2, 600, 603, 916; 248/65,  
248/74.1-74.4, 201, 214, 215, 229.26, 302,  
248/304, 316.7, 316.8; 439/501, 535; 16/2.1;  
D13/147

See application file for complete search history.

(56) **References Cited**

**U.S. PATENT DOCUMENTS**

|           |   |   |         |                 |       |         |
|-----------|---|---|---------|-----------------|-------|---------|
| D326,999  | S | * | 6/1992  | Johnson et al.  | ..... | D8/356  |
| D328,024  | S | * | 7/1992  | Grubicy et al.  | ..... | D8/356  |
| 5,178,413 | A | * | 1/1993  | King            | ..... | 280/814 |
| D333,257  | S | * | 2/1993  | Newcomer et al. | ..... | D8/356  |
| D374,171  | S | * | 10/1996 | Protz, Jr.      | ..... | D8/395  |
| D376,973  | S | * | 12/1996 | Brown           | ..... | D8/395  |
| 5,884,372 | A | * | 3/1999  | Anscher et al.  | ..... | 24/339  |
| D417,612  | S | * | 12/1999 | Jones           | ..... | D8/395  |
| D420,568  | S | * | 2/2000  | Repmann et al.  | ..... | D8/382  |
| D425,779  | S | * | 5/2000  | Nakamura        | ..... | D8/356  |

|              |    |   |         |               |       |          |
|--------------|----|---|---------|---------------|-------|----------|
| D431,182     | S  | * | 9/2000  | Szukhent, Jr. | ..... | D8/394   |
| D456,691     | S  | * | 5/2002  | Bergin        | ..... | D8/354   |
| D471,788     | S  | * | 3/2003  | Gebara        | ..... | D8/354   |
| 6,598,836    | B1 | * | 7/2003  | Leon          | ..... | 248/74.1 |
| D478,630     | S  | * | 8/2003  | Riggins       | ..... | D19/83   |
| D482,269     | S  | * | 11/2003 | Martello      | ..... | D8/395   |
| D484,783     | S  | * | 1/2004  | Woodhall      | ..... | D8/395   |
| D510,018     | S  | * | 9/2005  | Tognolini     | ..... | D8/395   |
| 7,131,170    | B2 | * | 11/2006 | Weaver        | ..... | 24/545   |
| D534,060     | S  | * | 12/2006 | Kiely         | ..... | D8/356   |
| D541,642     | S  | * | 5/2007  | Heindl        | ..... | D8/382   |
| D545,183     | S  | * | 6/2007  | French et al. | ..... | D8/394   |
| 7,240,880    | B2 | * | 7/2007  | Benoit et al. | ..... | 248/65   |
| 2007/0235596 | A1 | * | 10/2007 | Youmans       | ..... | 248/68.1 |

\* cited by examiner

*Primary Examiner*—T. Chase Nelson

*Assistant Examiner*—Karen Acker

(57) **CLAIM**

The ornamental design for an electrical cord organizer, as shown and described.

**DESCRIPTION**

FIG. 1 is a perspective view from the front, top and right side of an electrical cord organizer, showing my new design;

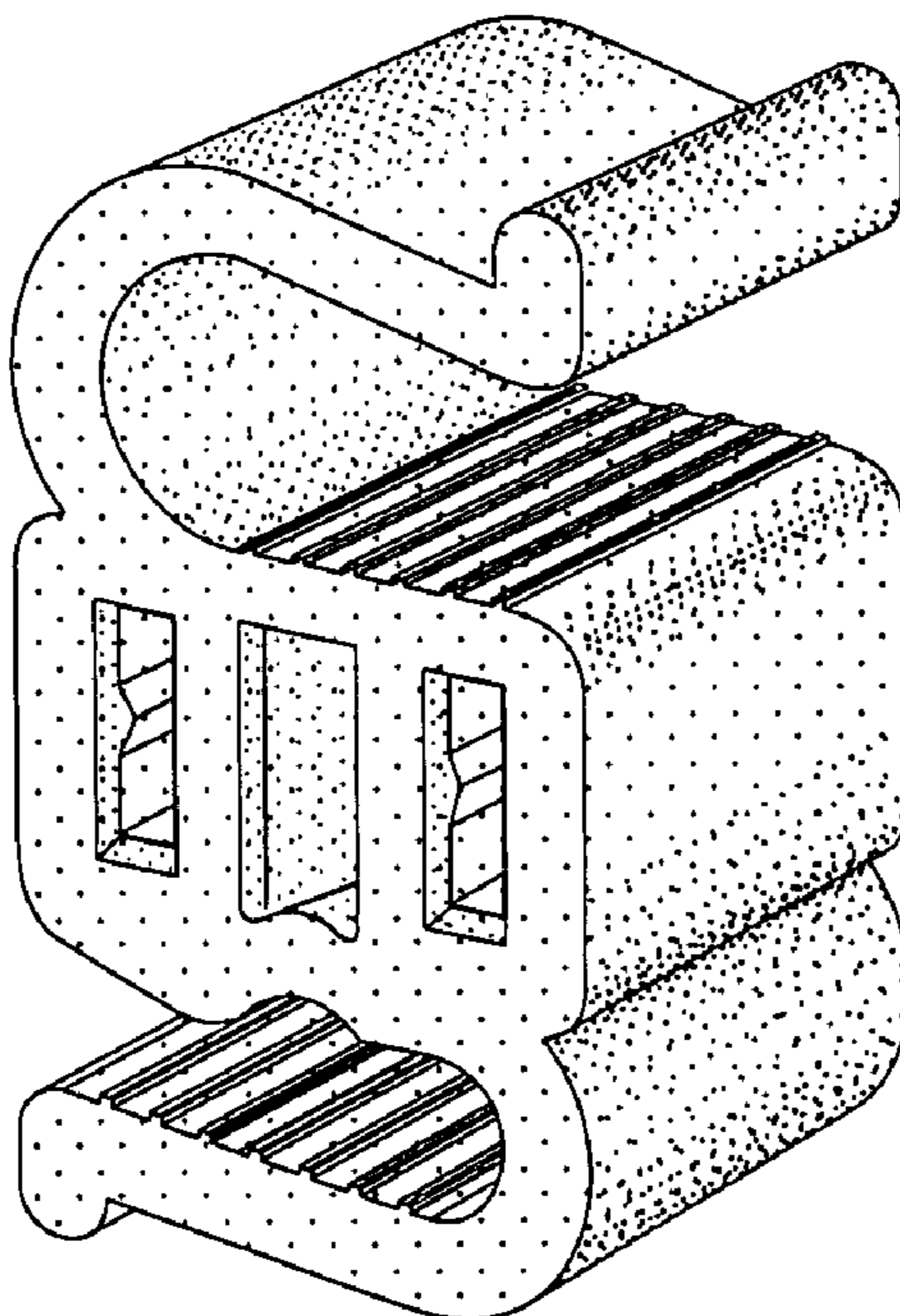
FIG. 2 is a perspective view from the rear, top and right side thereof;

FIG. 3 is an elevational view from the front thereof;

FIG. 4 is a top plan view, the bottom plan view being a mirror image, thereof; and,

FIG. 5 is an elevational view from the right side thereof.

**1 Claim, 1 Drawing Sheet**



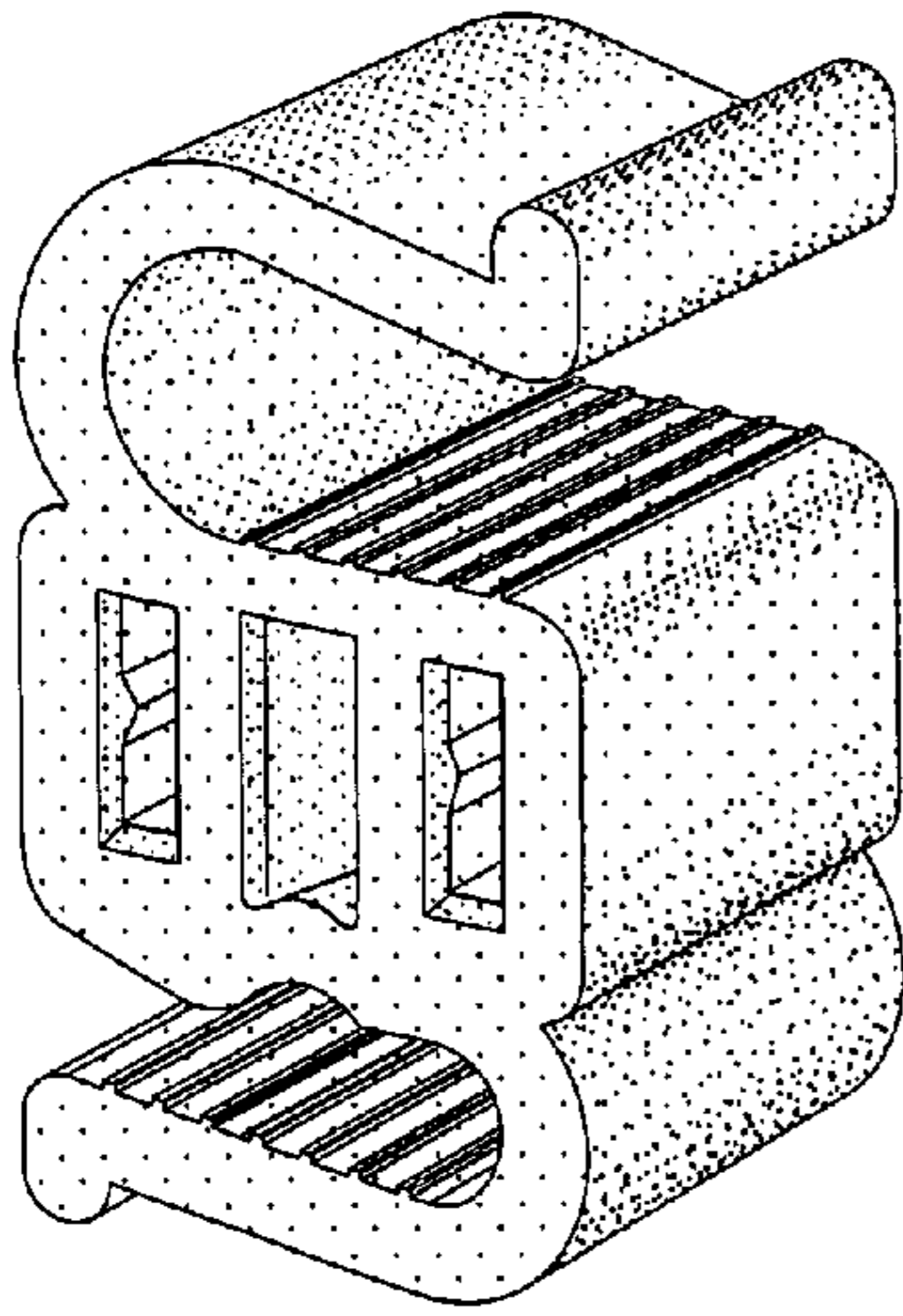


Fig. 1

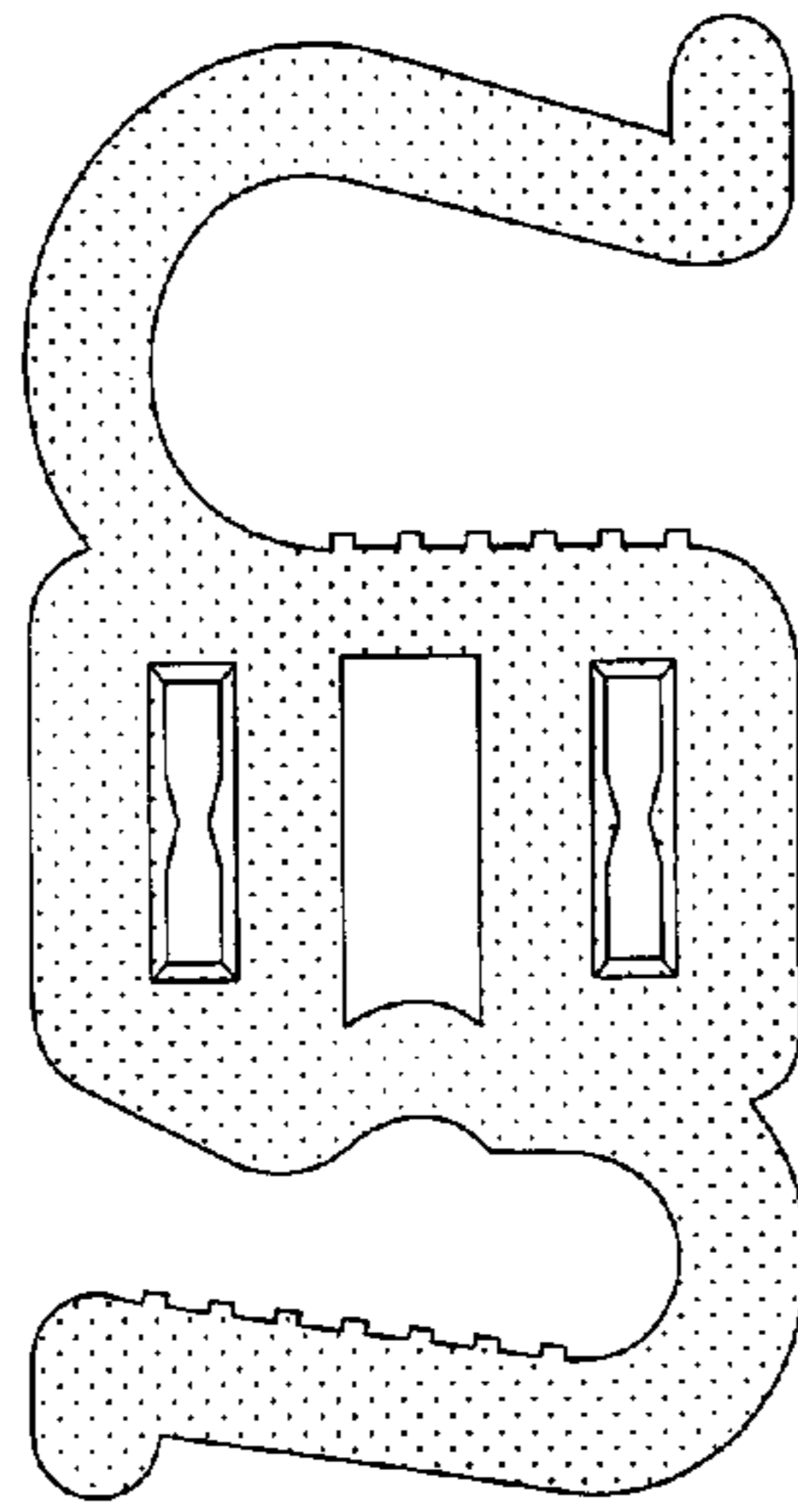


Fig. 3

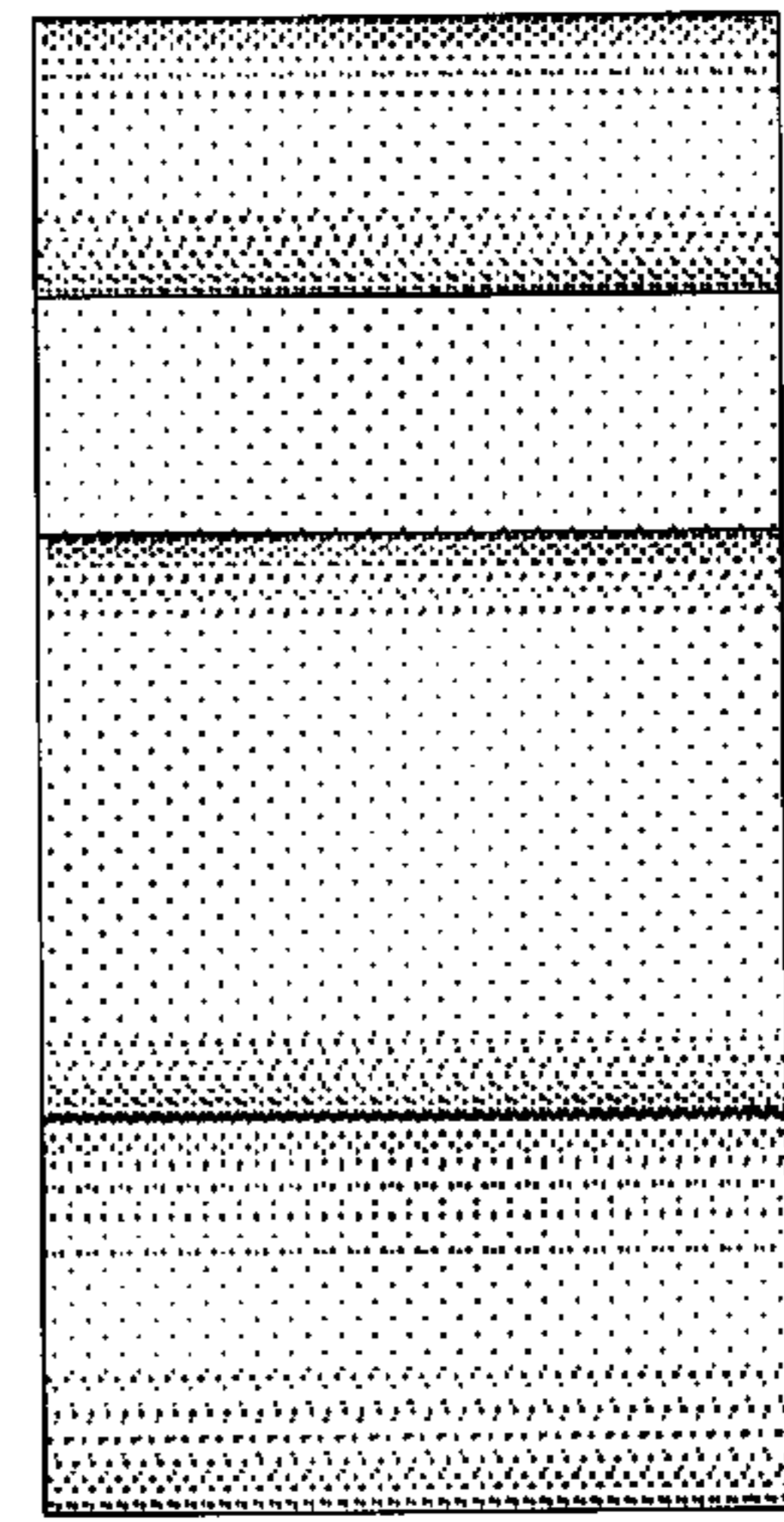


Fig. 5

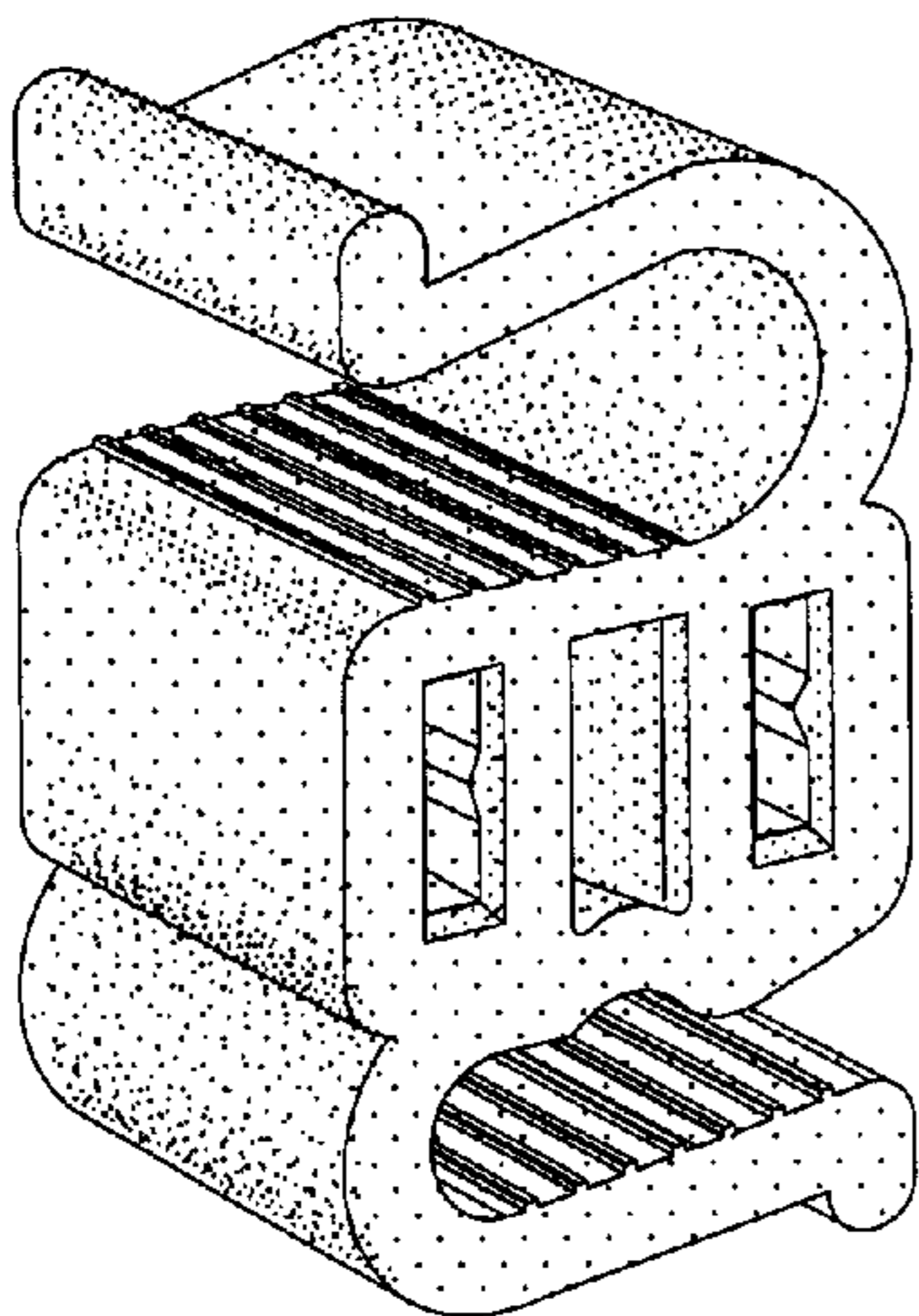


Fig. 2

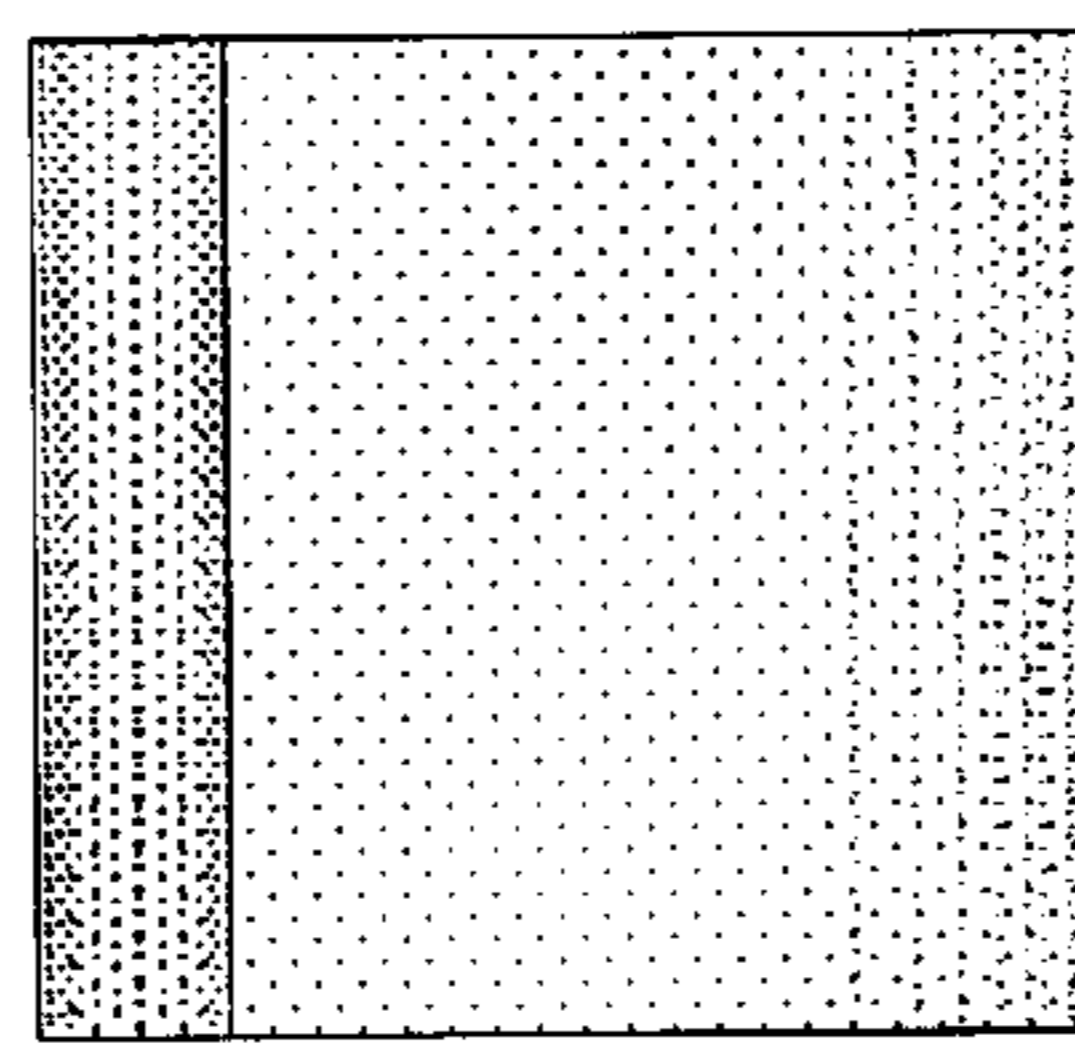


Fig. 4