



US00D592034S

(12) **United States Design Patent**
Huang

(10) **Patent No.:** **US D592,034 S**

(45) **Date of Patent:** **** May 12, 2009**

(54) **UTILITY KNIFE**

(76) **Inventor:** **Yin Han Huang**, No. 4, Lane 342,
Pengyi Road, Taiping, Taichung (TW)

(**) **Term:** **14 Years**

(21) **Appl. No.:** **29/305,407**

(22) **Filed:** **Mar. 19, 2008**

(51) **LOC (9) Cl.** **08-03**

(52) **U.S. Cl.** **D8/99**

(58) **Field of Classification Search** D8/98,
D8/99; 30/162, 320, 335, 336, 337, 125
See application file for complete search history.

(56) **References Cited**

U.S. PATENT DOCUMENTS

D319,378 S *	8/1991	Wilcox	D8/99
D336,029 S *	6/1993	Ragland et al.	D8/99
D352,881 S *	11/1994	Schmidt	D8/107
D395,219 S *	6/1998	Ghavami	D8/99
D400,774 S *	11/1998	Ghavami	D8/99
D413,783 S *	9/1999	Huang	D8/99

D462,250 S *	9/2002	Ping	D8/99
D484,021 S *	12/2003	Mariol	D8/99
D524,138 S *	7/2006	Chih	D8/99
D558,555 S *	1/2008	Huang	D8/99

* cited by examiner

Primary Examiner—Philip S Hyder

(57) **CLAIM**

The ornamental design for a utility knife, as shown.

DESCRIPTION

FIG. 1 is a perspective view of a utility knife showing my new design, the blade being shown in an extended position;

FIG. 2 is a front end view thereof;

FIG. 3 is a rear end view thereof;

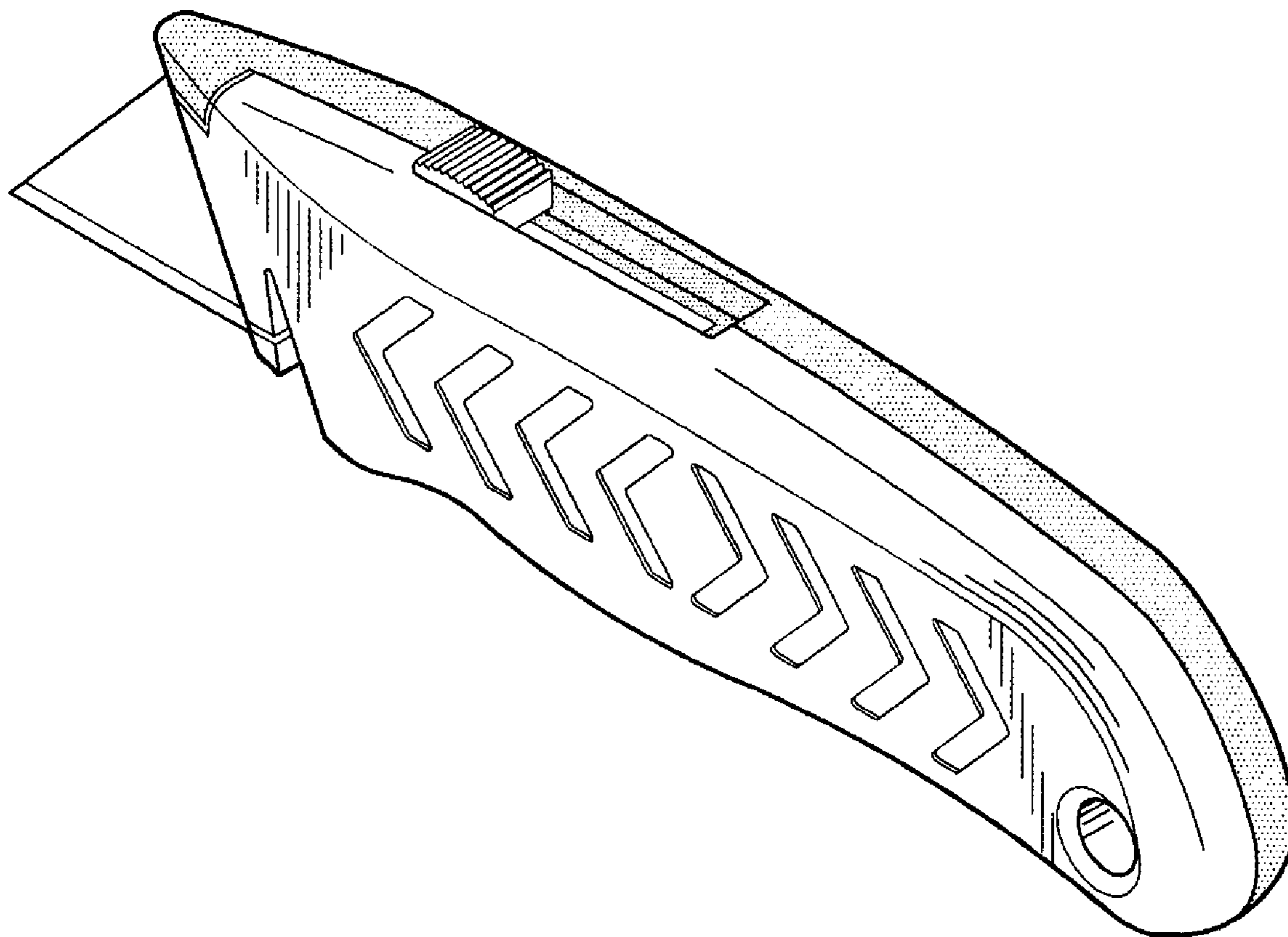
FIG. 4 is a right side view thereof;

FIG. 5 is a left side view thereof;

FIG. 6 is a top plan view thereof; and,

FIG. 7 is a bottom plan view thereof.

1 Claim, 4 Drawing Sheets



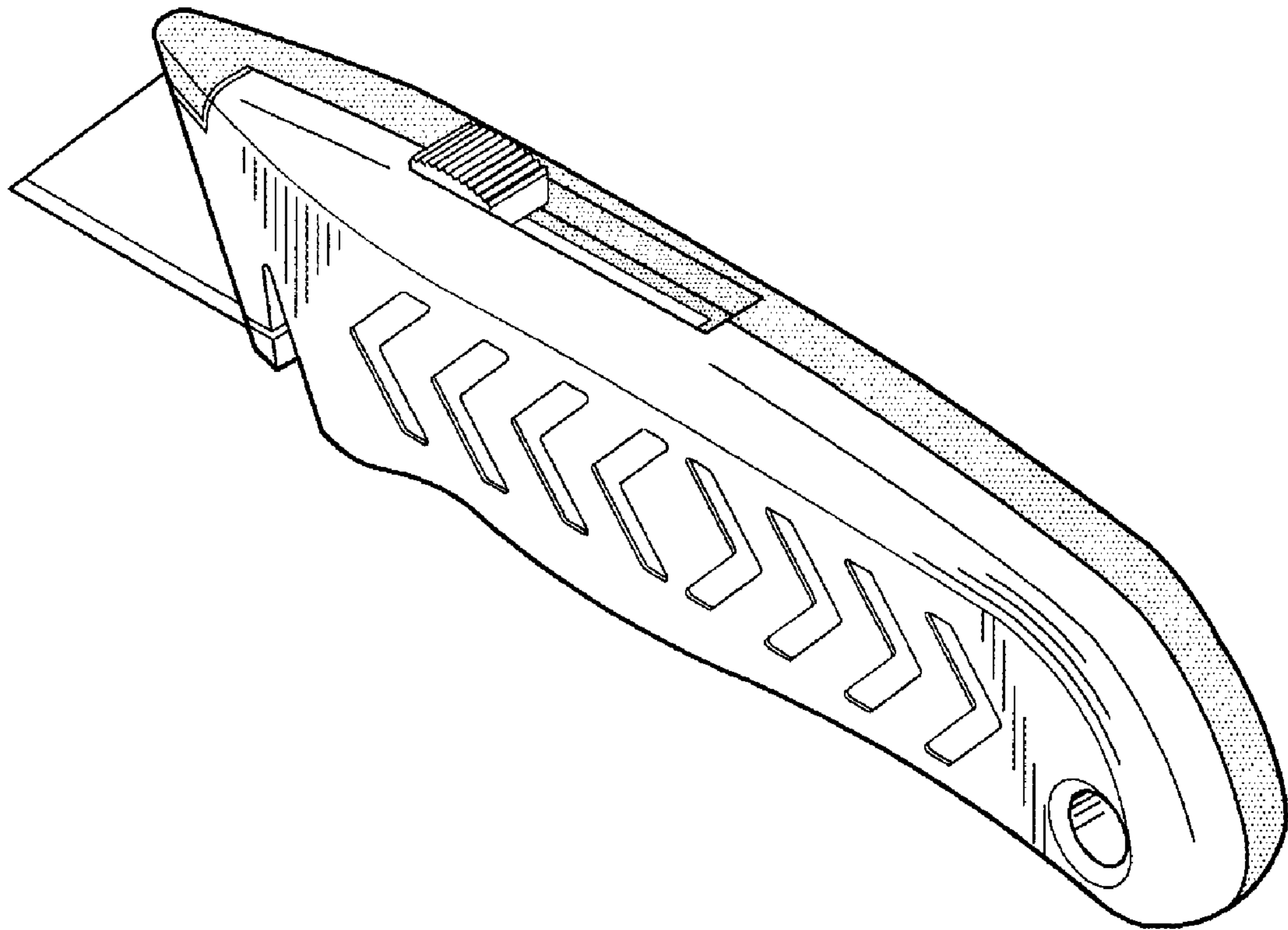


FIG. 1

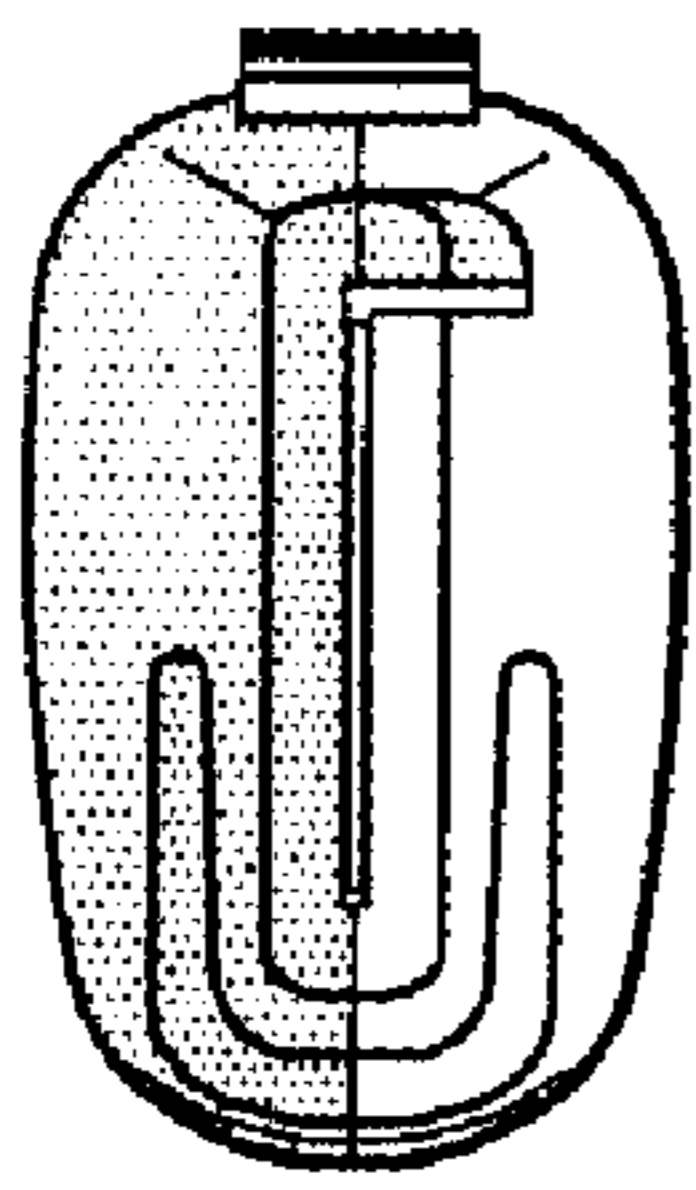


FIG. 2

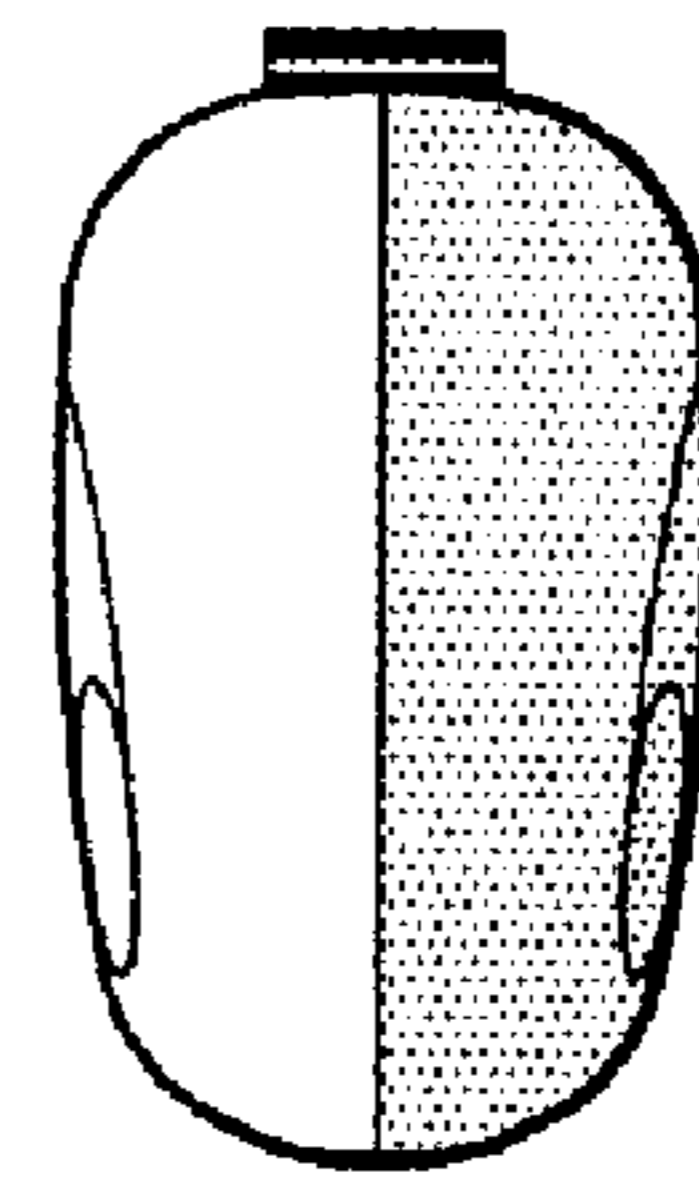


FIG. 3

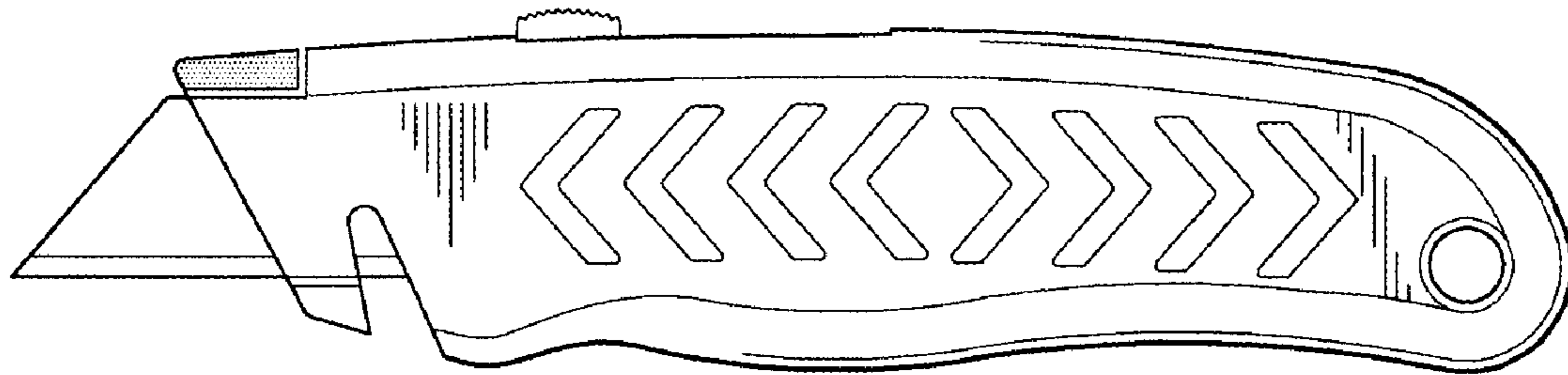


FIG. 4

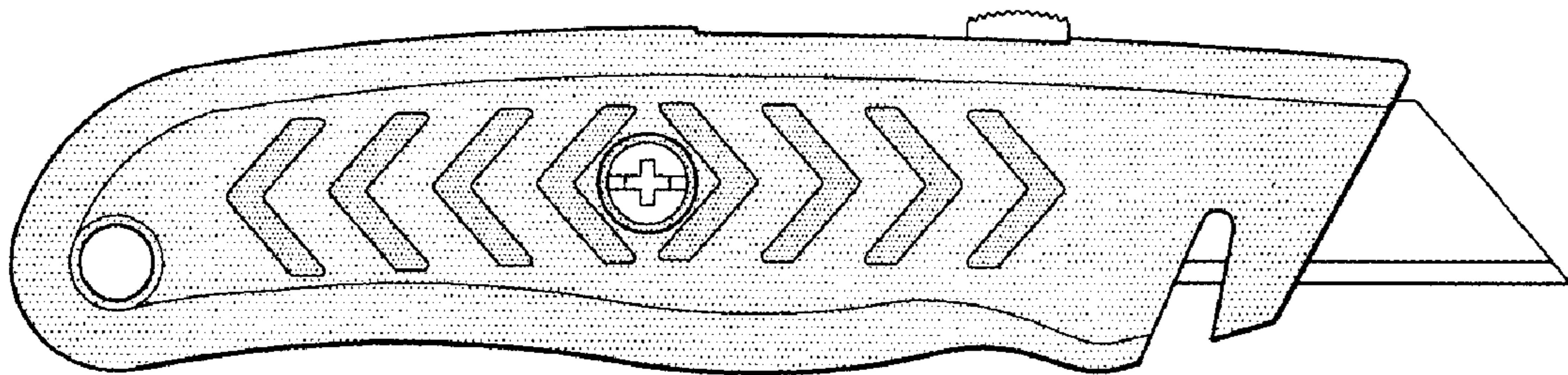


FIG. 5

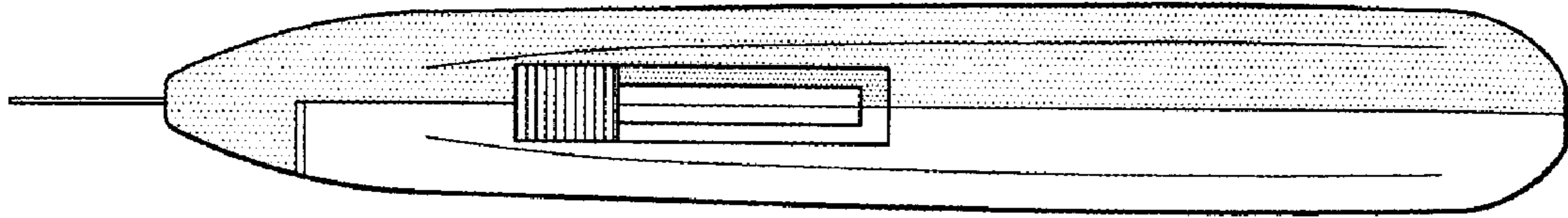


FIG. 6

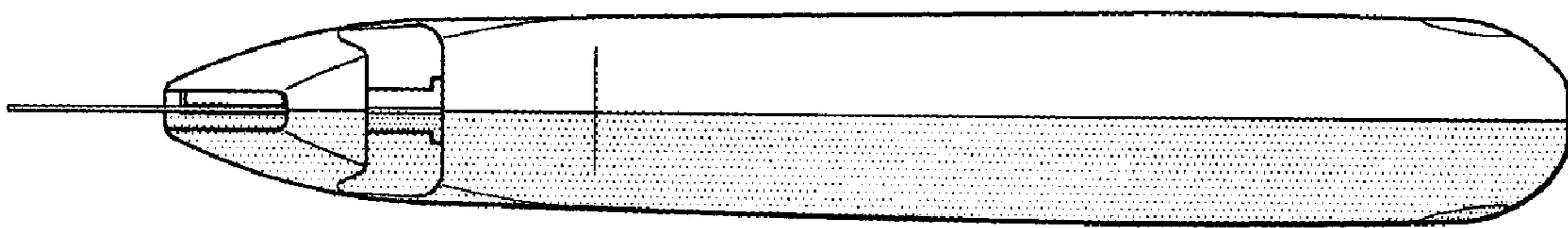


FIG. 7