

US00D592031S

(12) **United States Design Patent**
Hozumi

(10) **Patent No.:** **US D592,031 S**
(45) **Date of Patent:** **** May 12, 2009**

(54) **PORTABLE ELECTRIC SCREWDRIVER**

(75) Inventor: **Akihiro Hozumi**, Kyoto (JP)

(73) Assignee: **Omron Corporation**, Kyoto (JP)

(**) Term: **14 Years**

(21) Appl. No.: **29/300,601**

(22) Filed: **Apr. 16, 2008**

(30) **Foreign Application Priority Data**

Oct. 18, 2007 (JP) D 2007-028571

(51) **LOC (9) Cl.** **08-05**

(52) **U.S. Cl.** **D8/70**

(58) **Field of Classification Search** D8/61-70;
D13/171-176; 174/56.66; 200/6 R-6 C,
200/553, 557-563, 339, 310, 313-315, 330,
200/331, 61.27, 329, 332, 335, 556, 561;
307/141, 151; 337/66, 74; 338/62, 152,
338/163, 184, 200, 226; 361/600, 627

See application file for complete search history.

(56) **References Cited**

U.S. PATENT DOCUMENTS

D222,660 S * 11/1971 Miles et al. D8/61
D227,577 S * 7/1973 Mayo D13/170
4,939,383 A * 7/1990 Tucker et al. 307/139
4,947,054 A * 8/1990 Flowers et al. 307/125
D314,184 S * 1/1991 Mongeau D13/170

(Continued)

OTHER PUBLICATIONS

Office Action for corresponding Japanese design application No. 2007-028571 dated Sep. 2, 2008 and partial English translation thereof.

Design of electric screwdriver, disclosed on p. 537, Consumer Reports, Issue No. 8, Aug. 31, 1989, furnished in the National Center for Industrial Property Information on Aug. 23, 1989 (JPO Design Division Prior Art Ref. No. HB01034936).

Office Action for corresponding Japanese Design Application No. 2007-028571 and partial English translation thereof.

Elektrowerkzeugefu fHeimwerker, National Center for Industrial Property Information, Jan. 17, 2007, p. 11. (JP Design Division Prior Art Ref. No. HD09003377)(as shown on p. 2 of the above-referenced Office Action).

Primary Examiner—Antoine D Davis

(74) *Attorney, Agent, or Firm*—Harness, Dickey & Pierce

(57) **CLAIM**

The ornamental design for a portable electric screwdriver, as shown and described.

DESCRIPTION

FIG. 1 is a top, front and right side perspective view of a portable electric screwdriver showing my new design;

FIG. 2 is a bottom, front and left side perspective view thereof;

FIG. 3 is a top, rear and right side perspective view thereof;

FIG. 4 is a bottom, rear and left side perspective view thereof;

FIG. 5 is a front elevational view thereof;

FIG. 6 is a rear elevational view thereof;

FIG. 7 is a left side view thereof;

FIG. 8 is a right side view thereof.

FIG. 9 is a top plan view thereof;

FIG. 10 is a bottom plan view thereof;

FIG. 11 is a top, front and right side perspective view thereof, shown in an alternate position of use;

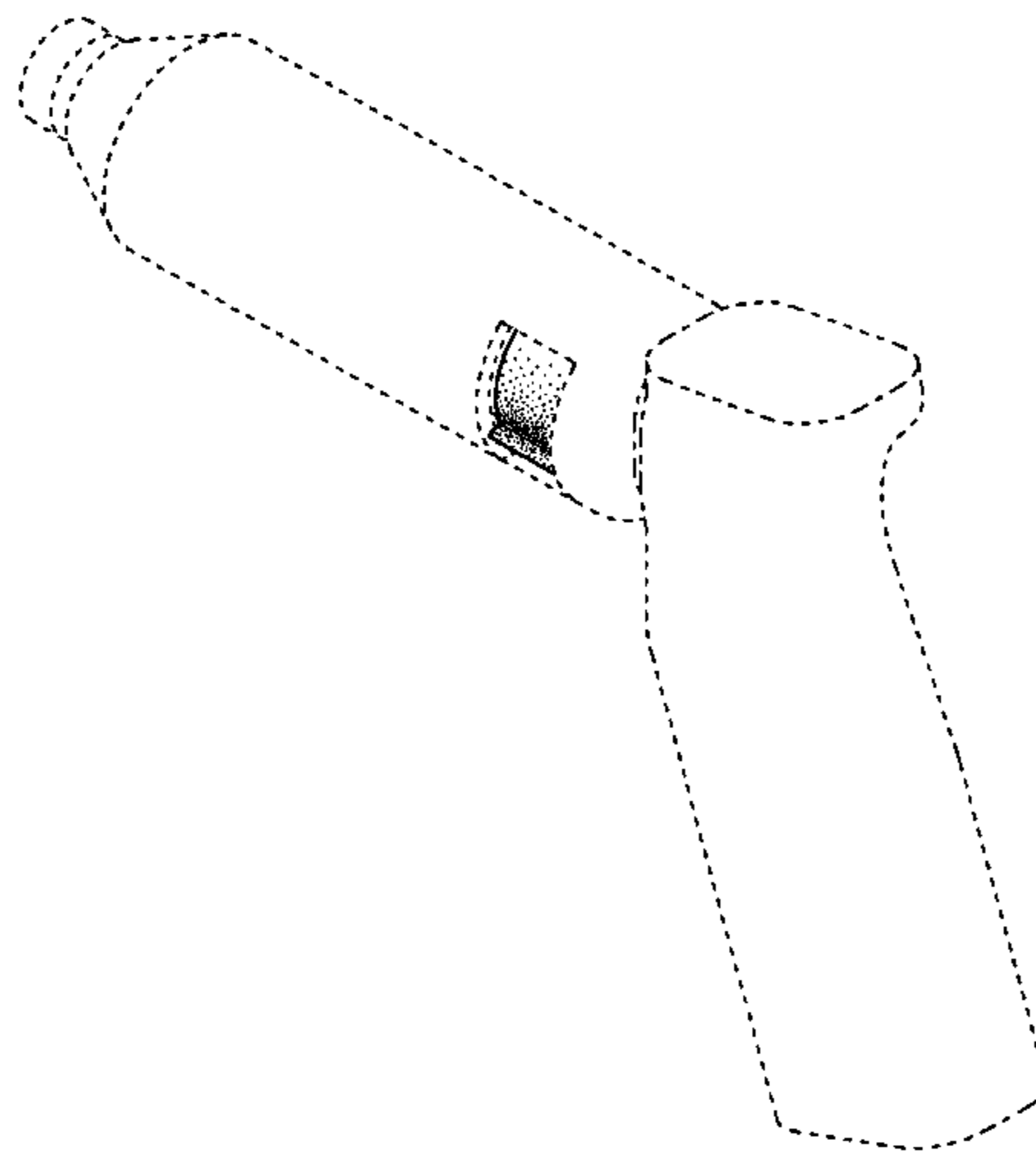
FIG. 12 is a bottom, front and left side perspective view thereof;

FIG. 13 is a top, rear and right side perspective view thereof; and,

FIG. 14 is a bottom, rear and left side perspective view thereof.

The broken lines shown in the drawings are for illustrative purposes only and form no part of the claimed design.

1 Claim, 10 Drawing Sheets



US D592,031 S

Page 2

U.S. PATENT DOCUMENTS

D327,619 S *	7/1992	Tsai	D8/68	D445,657 S *	7/2001	Jong	D8/65
D328,841 S *	8/1992	Fushiya et al.	D8/62	D454,120 S *	3/2002	Sadowski et al.	D13/174
D335,282 S *	5/1993	Jurell et al.	D13/170	D464,858 S *	10/2002	Netzler	D8/68
D339,326 S *	9/1993	Mayo et al.	D13/170	6,600,122 B1 *	7/2003	Czarnecki et al.	200/553
5,350,889 A *	9/1994	Lauritsen	200/1 B	D500,990 S *	1/2005	Gorman	D13/174
D384,646 S *	10/1997	Miller et al.	D13/170	7,009,128 B1 *	3/2006	Czarnecki et al.	200/339
D437,758 S *	2/2001	Heun	D8/61	7,339,129 B2 *	3/2008	Shatley	200/339

* cited by examiner

Fig. 1

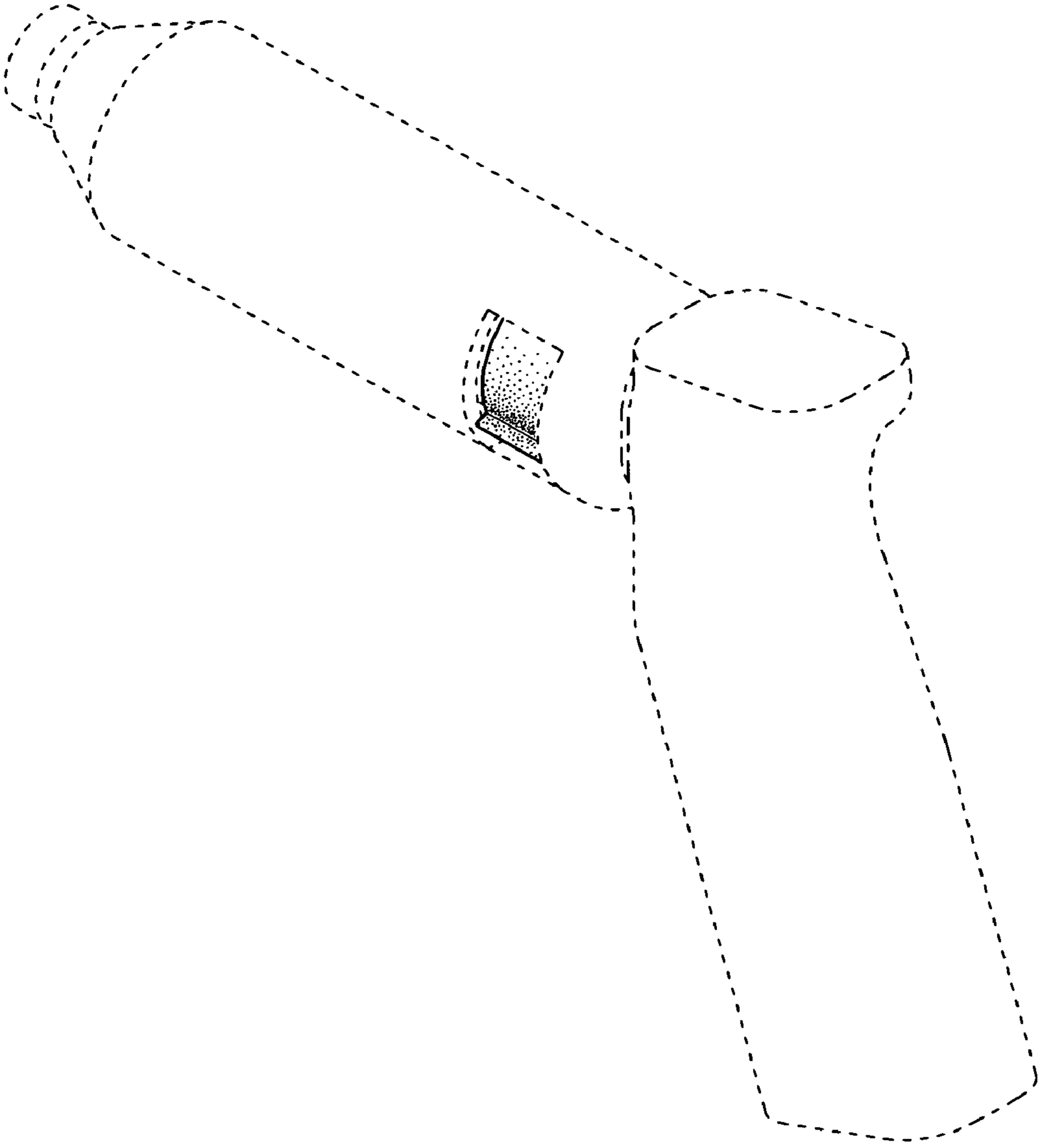


Fig. 2

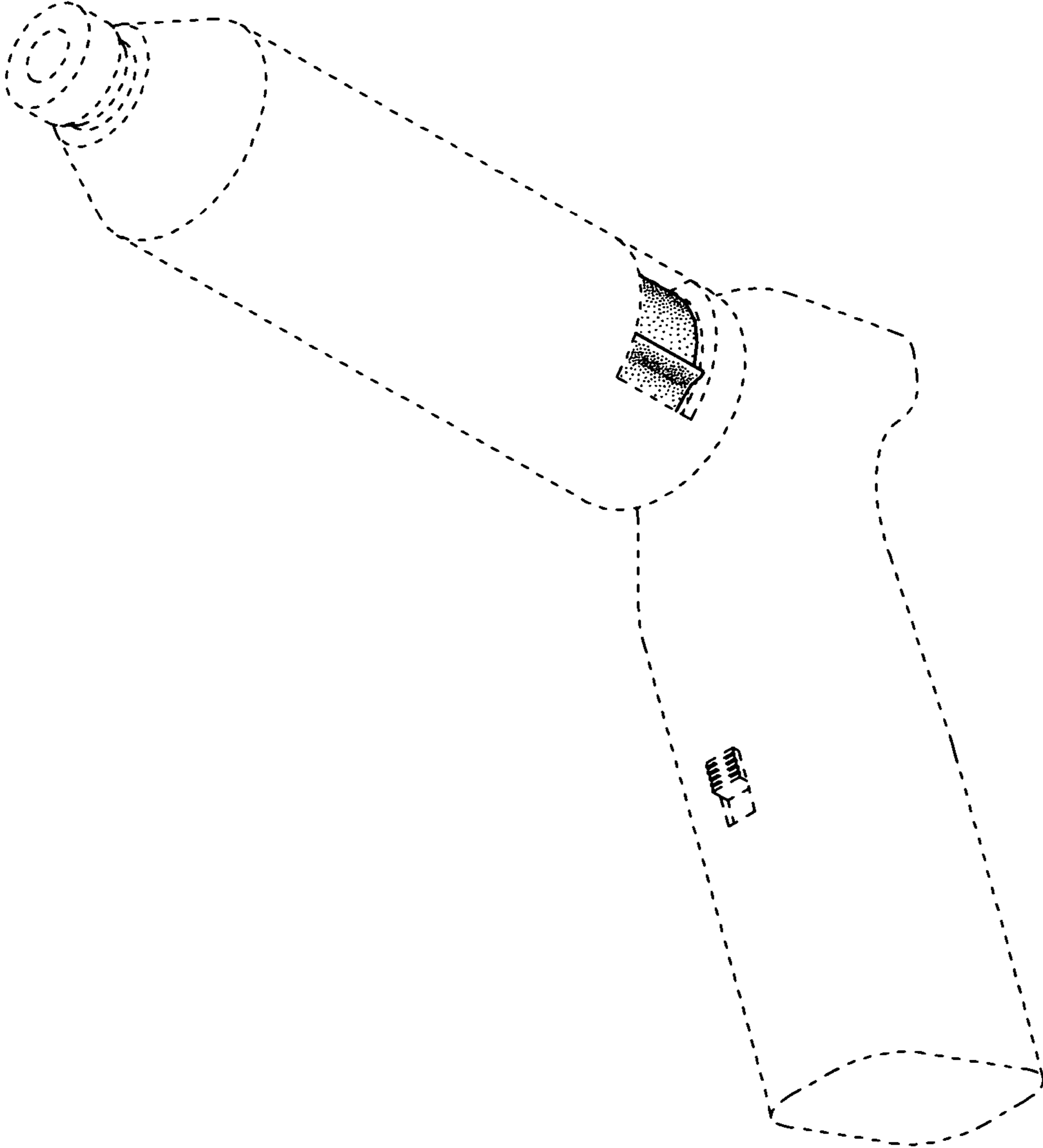


Fig. 3

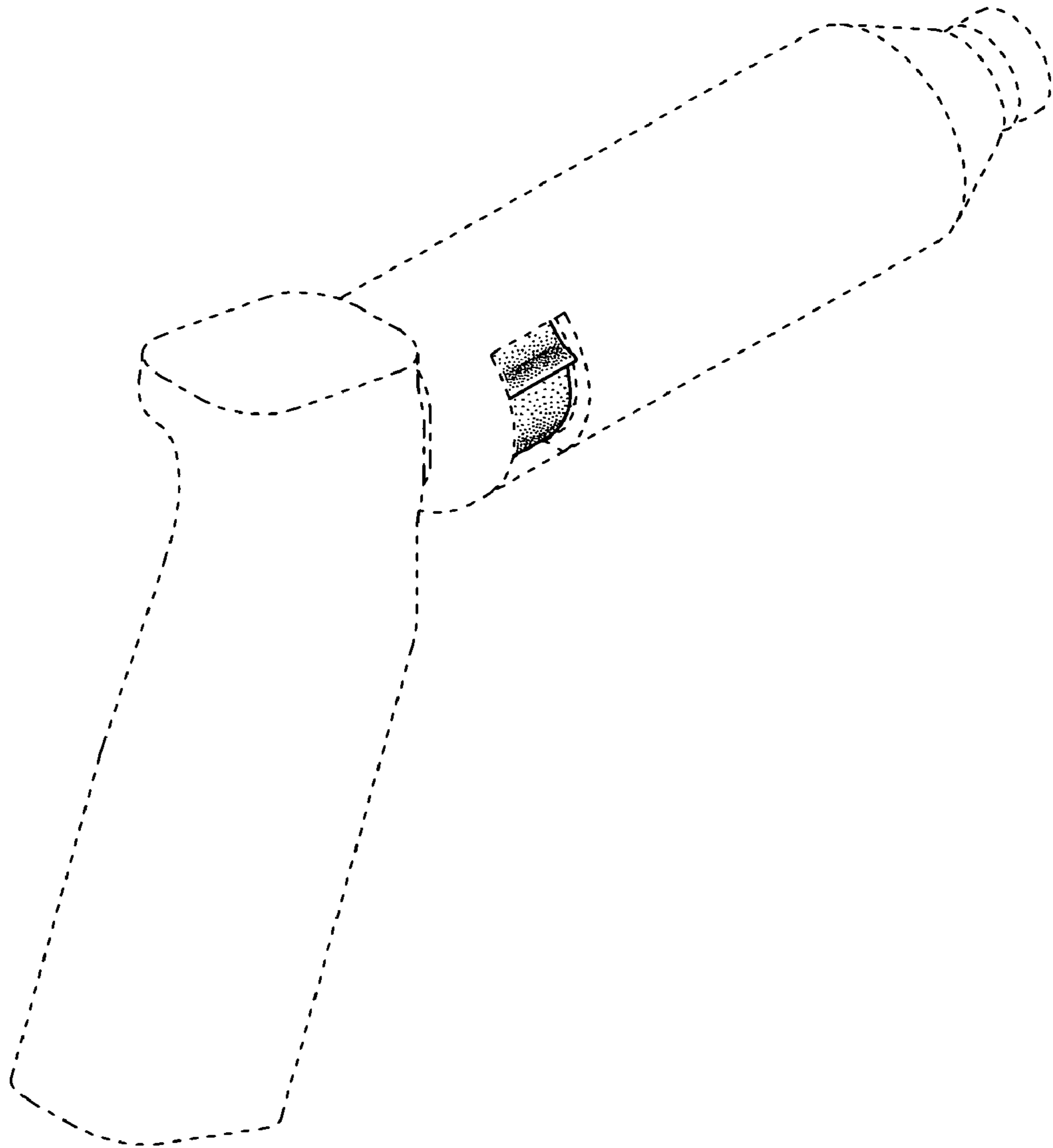


Fig. 4

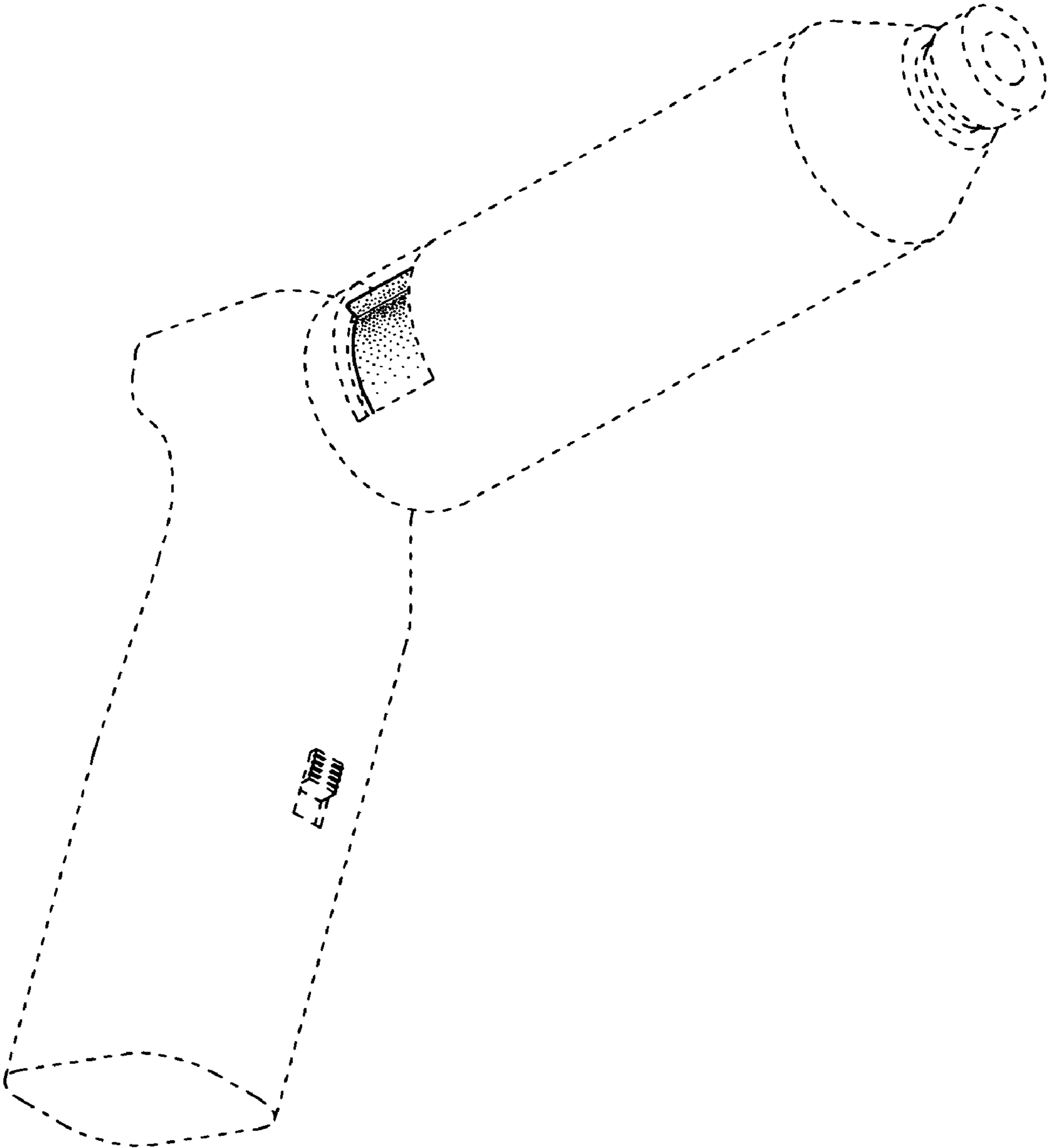


Fig. 5

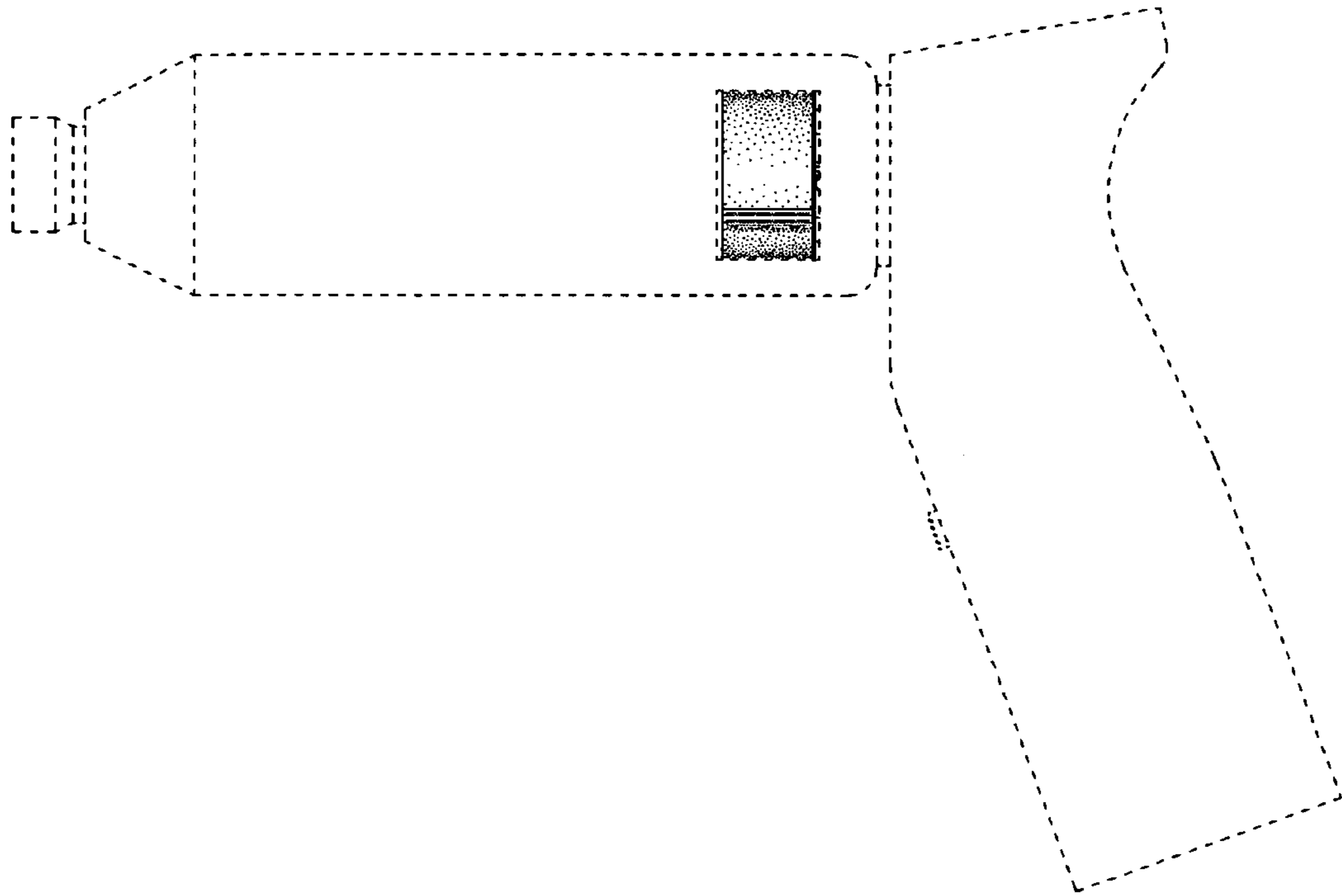


Fig. 6

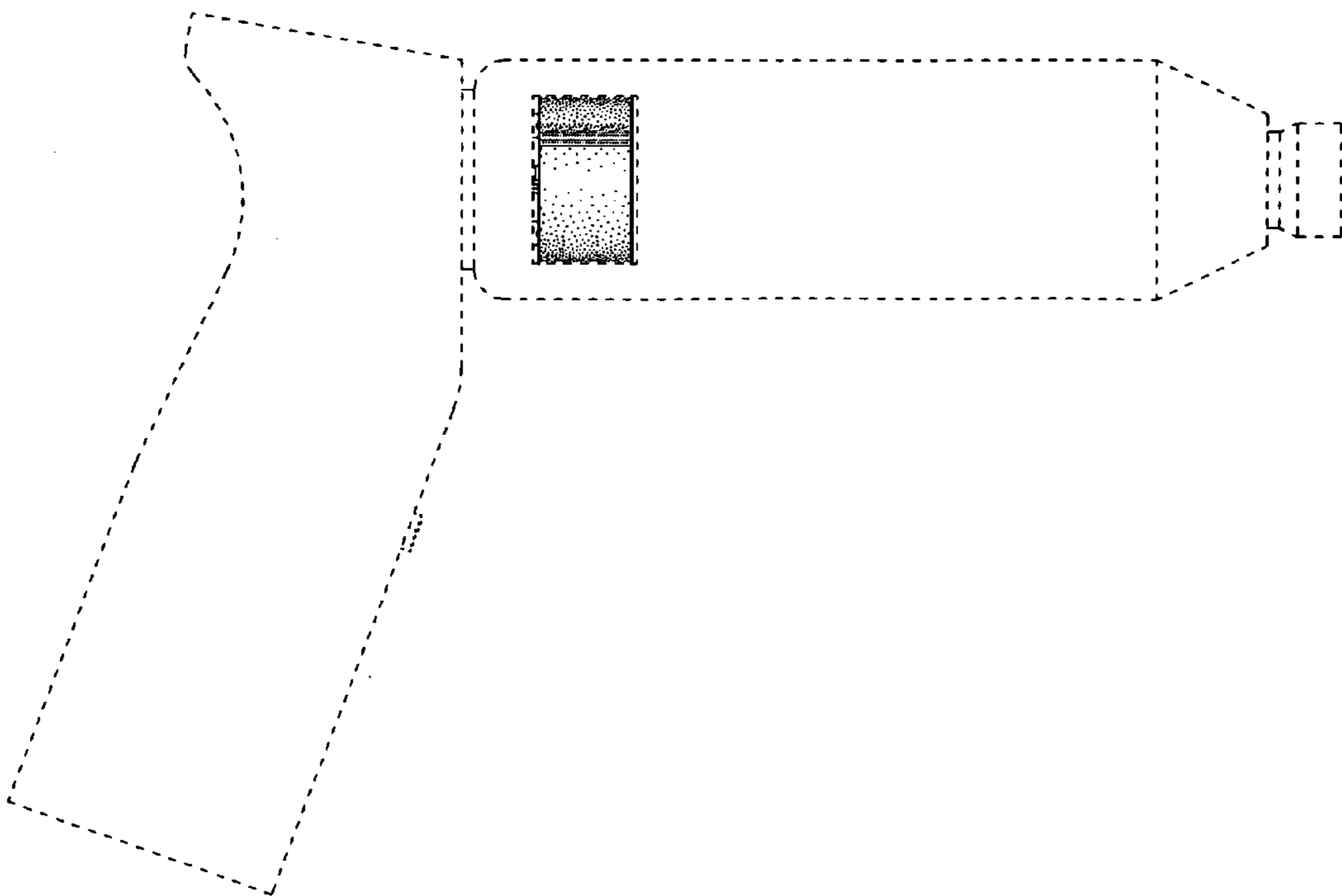


Fig. 7

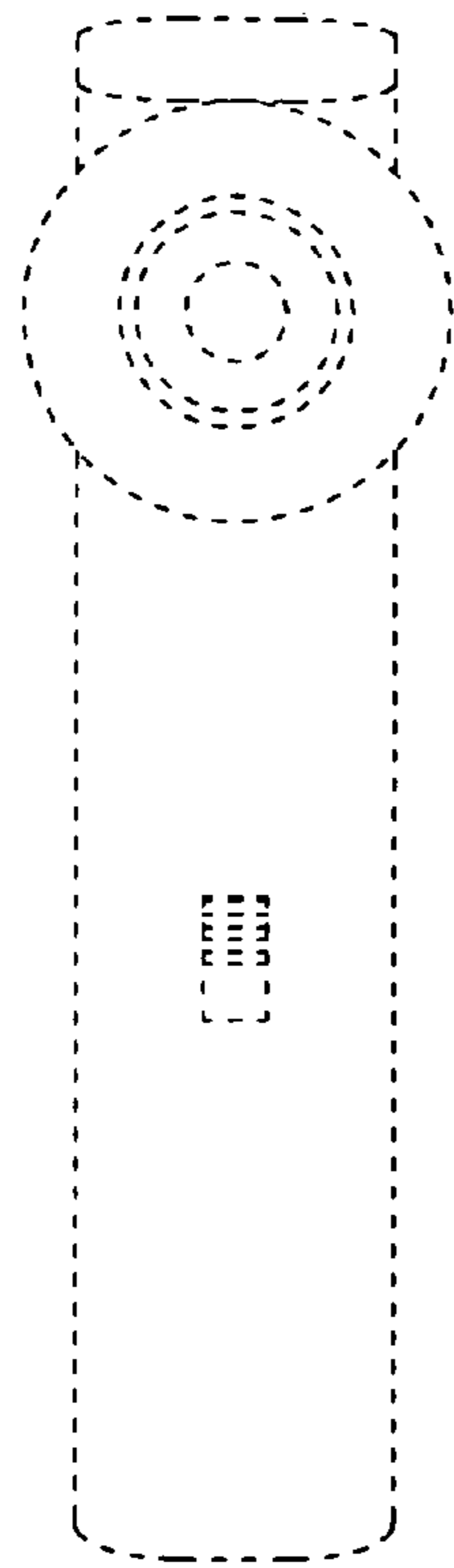


Fig. 8

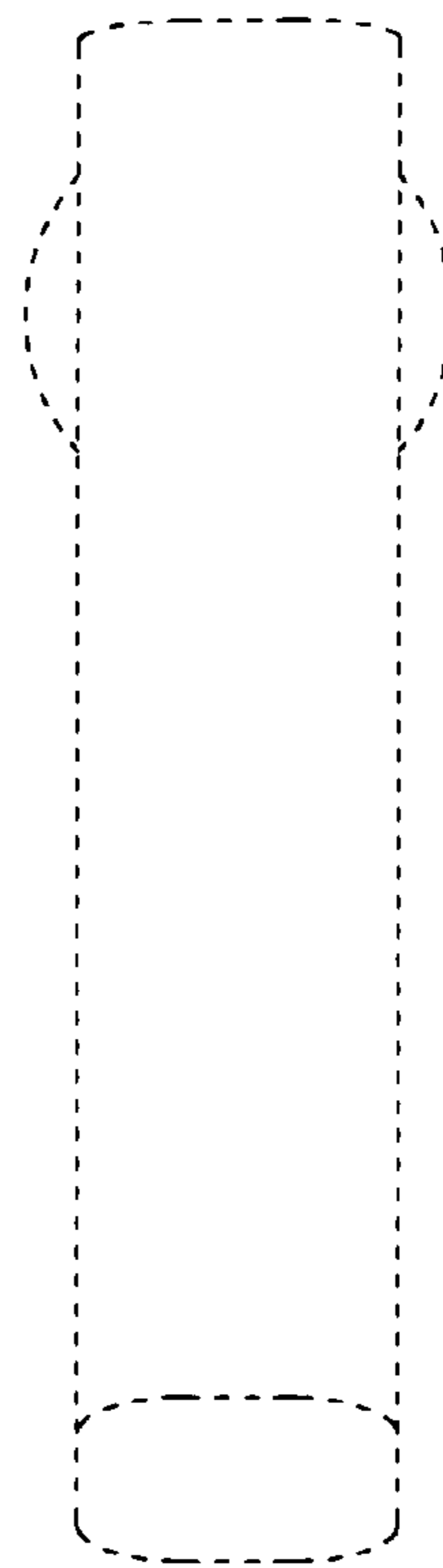


Fig. 9

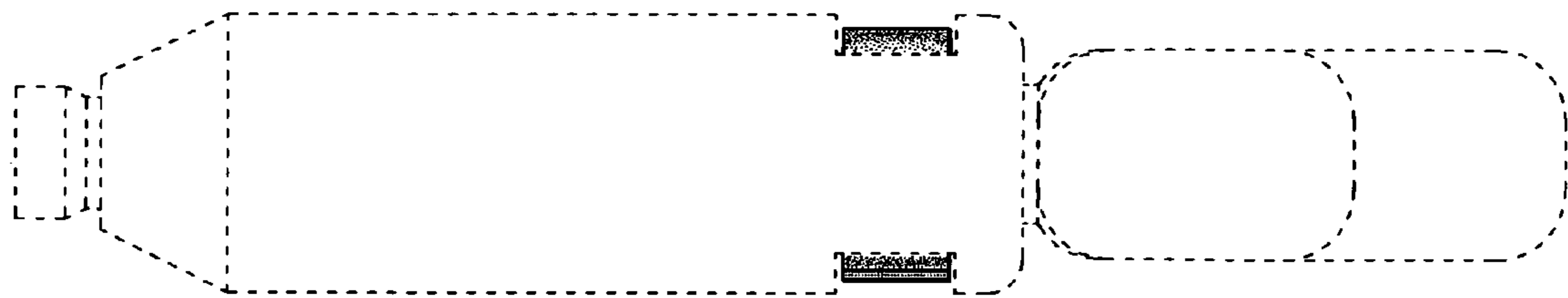


Fig. 10

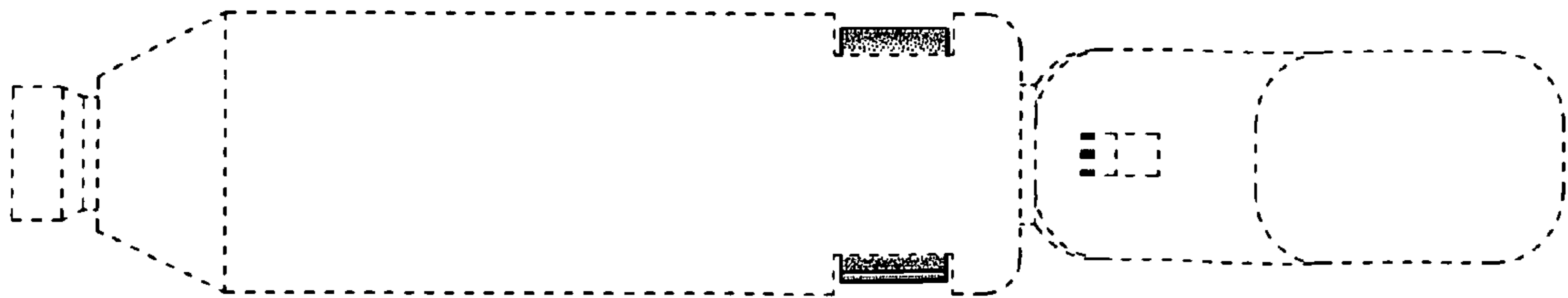


Fig. 11

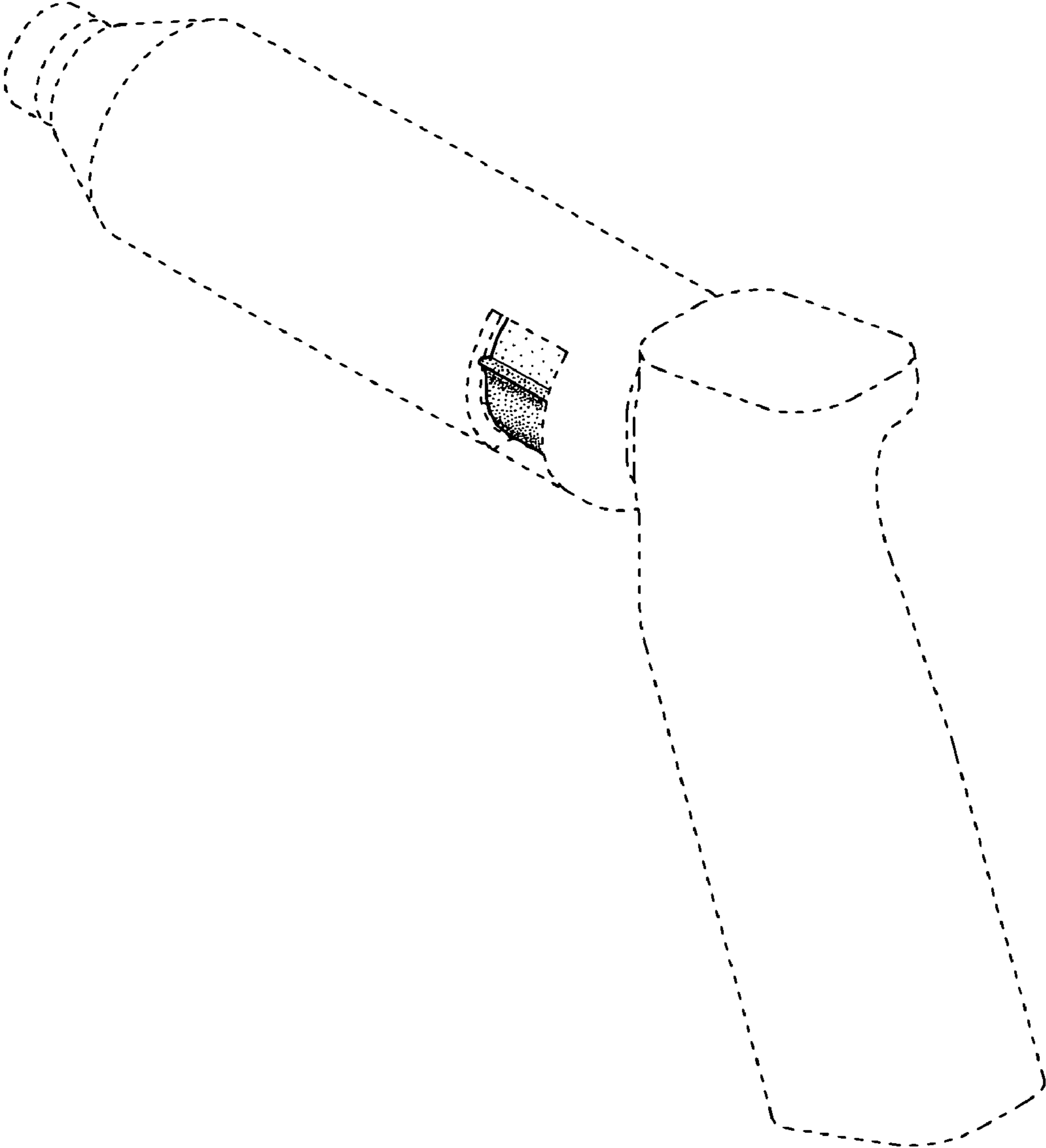


Fig. 12

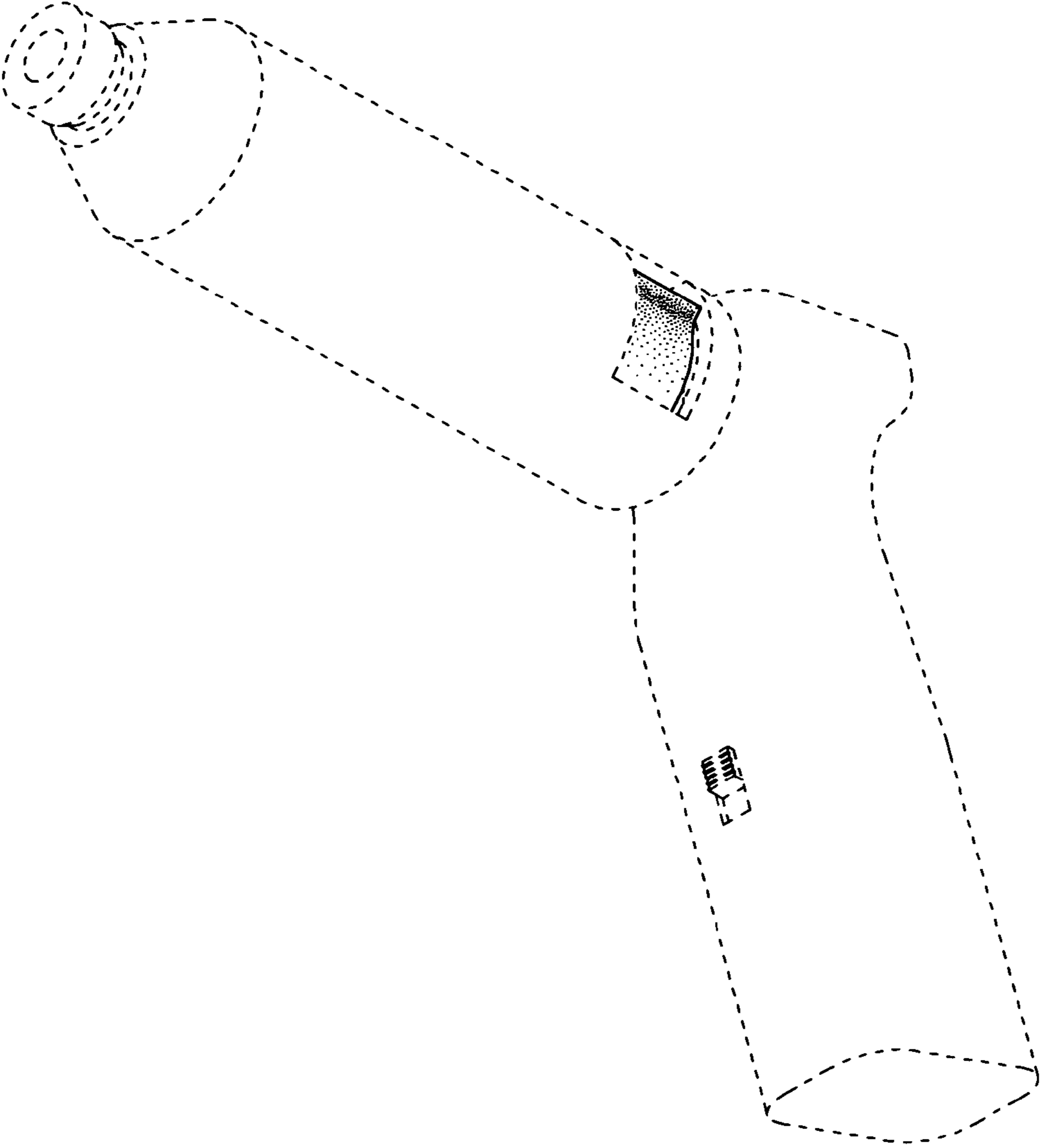


FIG. 12

Fig. 13

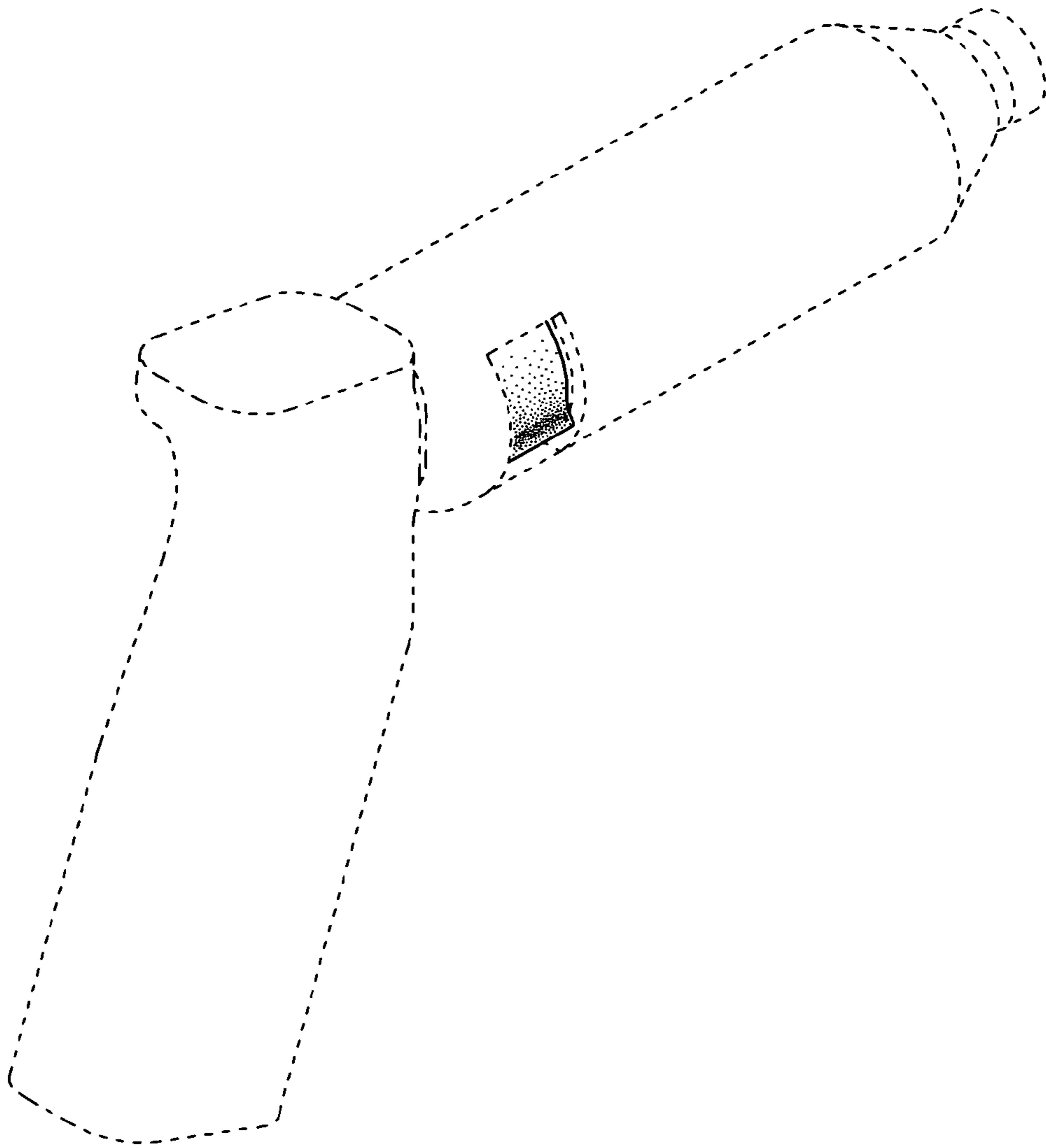


Fig. 14

