



US00D592030S

(12) **United States Design Patent**
Tano et al.

(10) **Patent No.:** **US D592,030 S**
(45) **Date of Patent:** **** May 12, 2009**

(54) **POLISHING PAD**

FOREIGN PATENT DOCUMENTS

(75) Inventors: **Hiroyuki Tano**, Chuo-ku (JP); **Hiroshi Shiho**, Chuo-ku (JP)

JP 115633 9/2002

(73) Assignee: **JSR Corporation**, Tokyo (JP)

(Continued)

(**) Term: **14 Years**

OTHER PUBLICATIONS

(21) Appl. No.: **29/295,294**

U.S. Appl. No. 29/295,291, filed Sep. 25, 2007, Tano, et al.

(22) Filed: **Sep. 25, 2007**

(Continued)

Related U.S. Application Data

Primary Examiner—Antoine D Davis
(74) *Attorney, Agent, or Firm*—Oblon, Spivak, McClelland, Maier & Neustadt, P.C.

(62) Division of application No. 29/228,555, filed on Apr. 26, 2005, now Pat. No. Des. 559,066.

(57) **CLAIM**

(30) **Foreign Application Priority Data**

The ornamental design for a polishing pad, as shown and described.

Oct. 26, 2004	(JP)	2004-32512
Oct. 26, 2004	(JP)	2004-32513
Oct. 26, 2004	(JP)	2004-32514
Oct. 26, 2004	(JP)	2004-32515
Oct. 26, 2004	(JP)	2004-32516

DESCRIPTION

(51) **LOC (9) Cl.** **08-05**

FIG. 1 is a top plan view of a polishing pad showing our new design;

(52) **U.S. Cl.** **D8/70**

FIG. 2 is a front elevational view thereof, the rear elevational view, left side and front side elevational views thereof being mirror images of the views shown;

(58) **Field of Classification Search** D8/70;
D15/138-140; 15/230; 83/835; 451/6, 60,
451/287, 288, 359, 526, 527, 533, 541, 548,
451/446, 550

FIG. 3 is a bottom plan view thereof;

See application file for complete search history.

FIG. 4 is a partially enlarged view of portion 4—4 in FIG. 1;

FIG. 5 is a partially enlarged sectional view taken substantially along line 5—5 in FIG. 4;

(56) **References Cited**

U.S. PATENT DOCUMENTS

88,649 A	4/1869	Machamer
494,471 A	3/1893	Gardner
4,693,036 A	9/1987	Mori
5,007,207 A	4/1991	Phaal
5,400,547 A	3/1995	Tanaka et al.

FIG. 6 is a partially enlarged sectional view taken substantially along line 6—6 in FIG. 4;

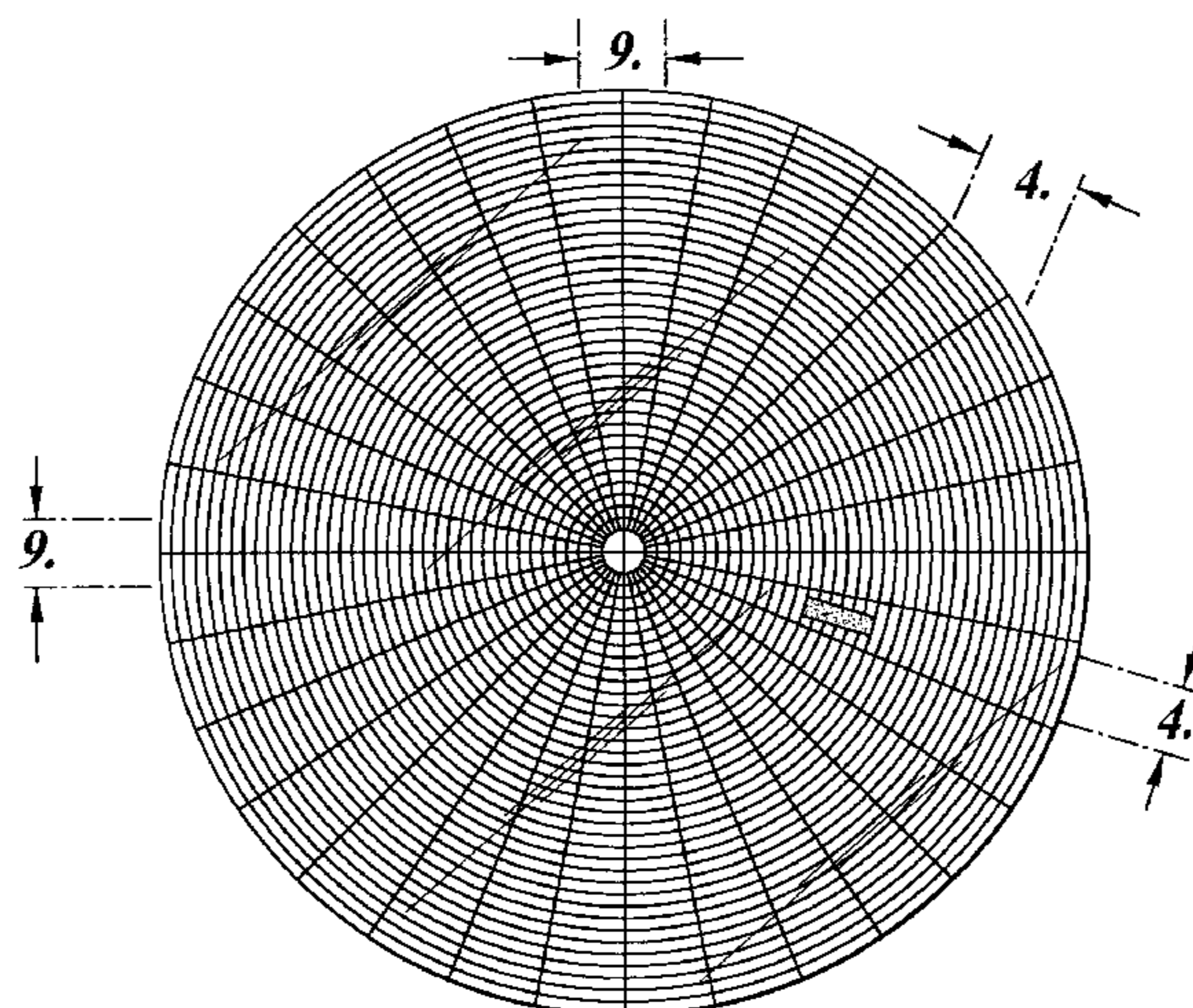
FIG. 7 is a partially enlarged drawing of portion 7—7 in FIG. 3;

FIG. 8 is a partially enlarged sectional view of portion 8 in FIG. 5; and,

FIG. 9 is a partially enlarged view of section 9—9 in FIG. 1.

(Continued)

1 Claim, 4 Drawing Sheets



US D592,030 S

Page 2

U.S. PATENT DOCUMENTS

D376,744 S 12/1996 Eisenblatter
5,718,620 A 2/1998 Tanaka et al.
5,851,140 A 12/1998 Barns et al.
5,899,799 A 5/1999 Tjaden et al.
5,921,855 A 7/1999 Osterheld et al.
5,984,769 A 11/1999 Bennett et al.
6,033,293 A 3/2000 Crevasse et al.
6,056,632 A 5/2000 Mitchel et al.
6,089,966 A 7/2000 Arai et al.
6,220,942 B1 4/2001 Tolles et al.
6,332,830 B1 12/2001 Okamura et al.
6,402,594 B1 6/2002 Kobayashi et al.
6,422,922 B1 7/2002 Okamura et al.
6,517,417 B2 2/2003 Budinger et al.
6,520,847 B2 2/2003 Osterheld et al.
6,592,438 B2 7/2003 Tolles et al.
6,645,061 B1 11/2003 Bennett et al.
D490,827 S 6/2004 Okugawa
6,824,447 B2 11/2004 Takahashi et al.
6,837,780 B1 1/2005 Broido
D510,850 S 10/2005 Boler, Jr.
6,986,706 B1 1/2006 Cooper et al.
7,029,747 B2 4/2006 Huh et al.
7,112,119 B1 9/2006 Swedek et al.
7,121,938 B2 10/2006 Suzuki
7,183,213 B2 2/2007 Shiho et al.
D559,063 S * 1/2008 Okamoto et al. D8/70
D559,064 S * 1/2008 Okamoto et al. D8/70
D559,065 S * 1/2008 Miyauchi et al. D8/70
D559,066 S * 1/2008 Tano et al. D8/70
D559,648 S * 1/2008 Miyauchi et al. D8/70

D576,855 S * 9/2008 Okamoto et al. D8/70
D581,237 S * 11/2008 Okamoto et al. D8/70
2001/0005667 A1 6/2001 Tolles et al.
2001/0034198 A1 10/2001 Kimura
2002/0137450 A1 9/2002 Osterheld et al.
2003/0092371 A1 5/2003 Osterheld et al.
2004/0053566 A1 3/2004 Tolles et al.
2004/0072516 A1 4/2004 Osterheld et al.
2004/0082271 A1 4/2004 Wiswesser et al.
2004/0127145 A1 7/2004 Takahashi et al.
2004/0259483 A1 12/2004 Newell
2005/0113011 A1 5/2005 Miyauchi et al.
2005/0142996 A1 6/2005 Ohno et al.
2005/0148183 A1 7/2005 Shiro et al.
2005/0191945 A1 9/2005 Petroski et al.
2005/0211376 A1 9/2005 Prasad
2005/0245171 A1 11/2005 Hosaka et al.
2006/0037699 A1 2/2006 Nakamori et al.
2006/0063471 A1 3/2006 Muldowney
2006/0229002 A1 10/2006 Muldowney
2006/0276109 A1 12/2006 Roy et al.
2007/0049167 A1 3/2007 Swedek et al.
2008/0003935 A1 * 1/2008 Feng et al. 451/527

FOREIGN PATENT DOCUMENTS

JP 1156872 9/2002

OTHER PUBLICATIONS

U.S. Appl. No. 29/295,292, filed Sep. 25, 2007, Tano, et al.
U.S. Appl. No. 29/295,294, filed Sep. 25, 2007, Tano, et al.
U.S. Appl. No. 29/295,290, filed Sep. 25, 2007, Tano, et al.

* cited by examiner

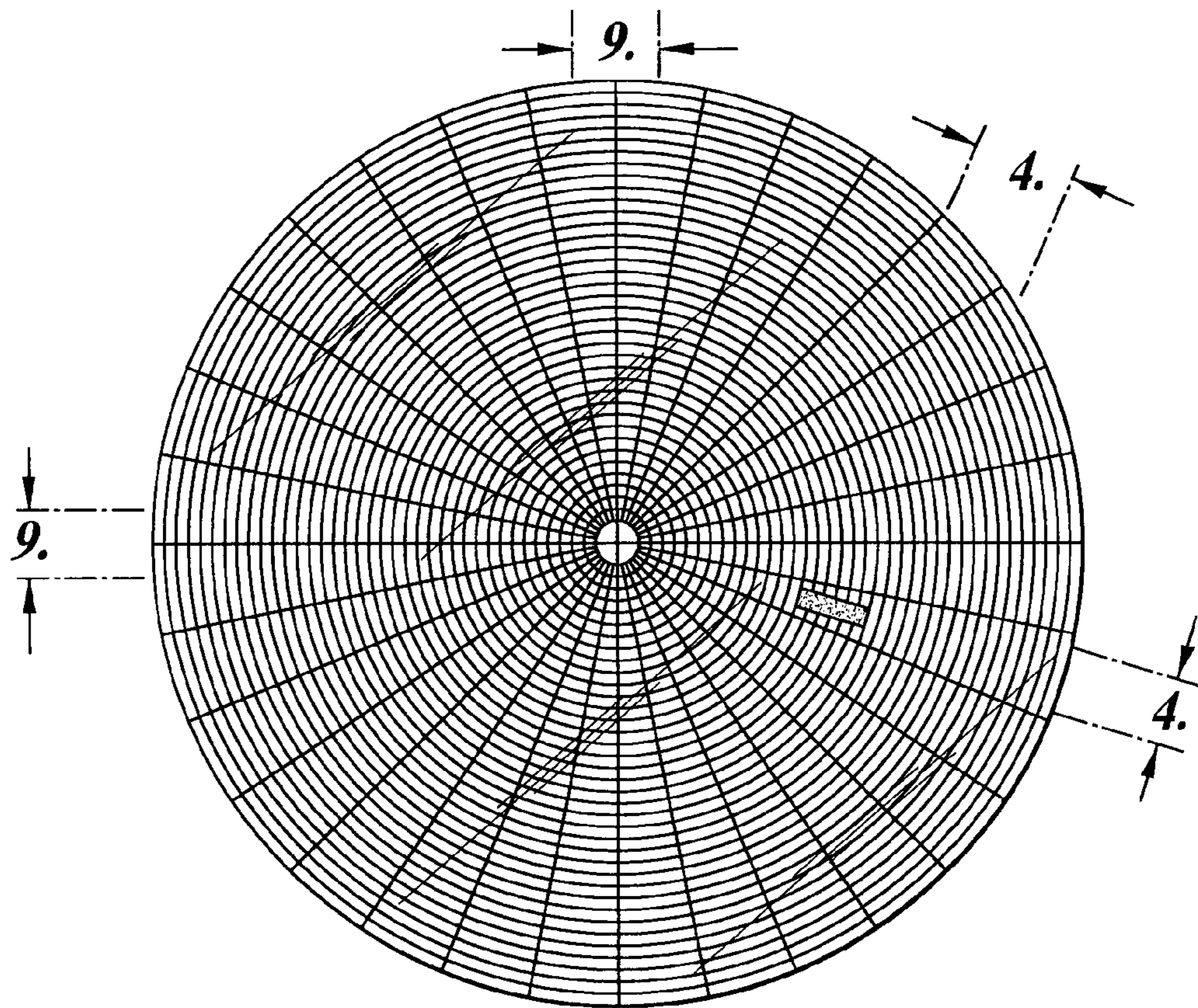


Fig. 1

Fig. 2

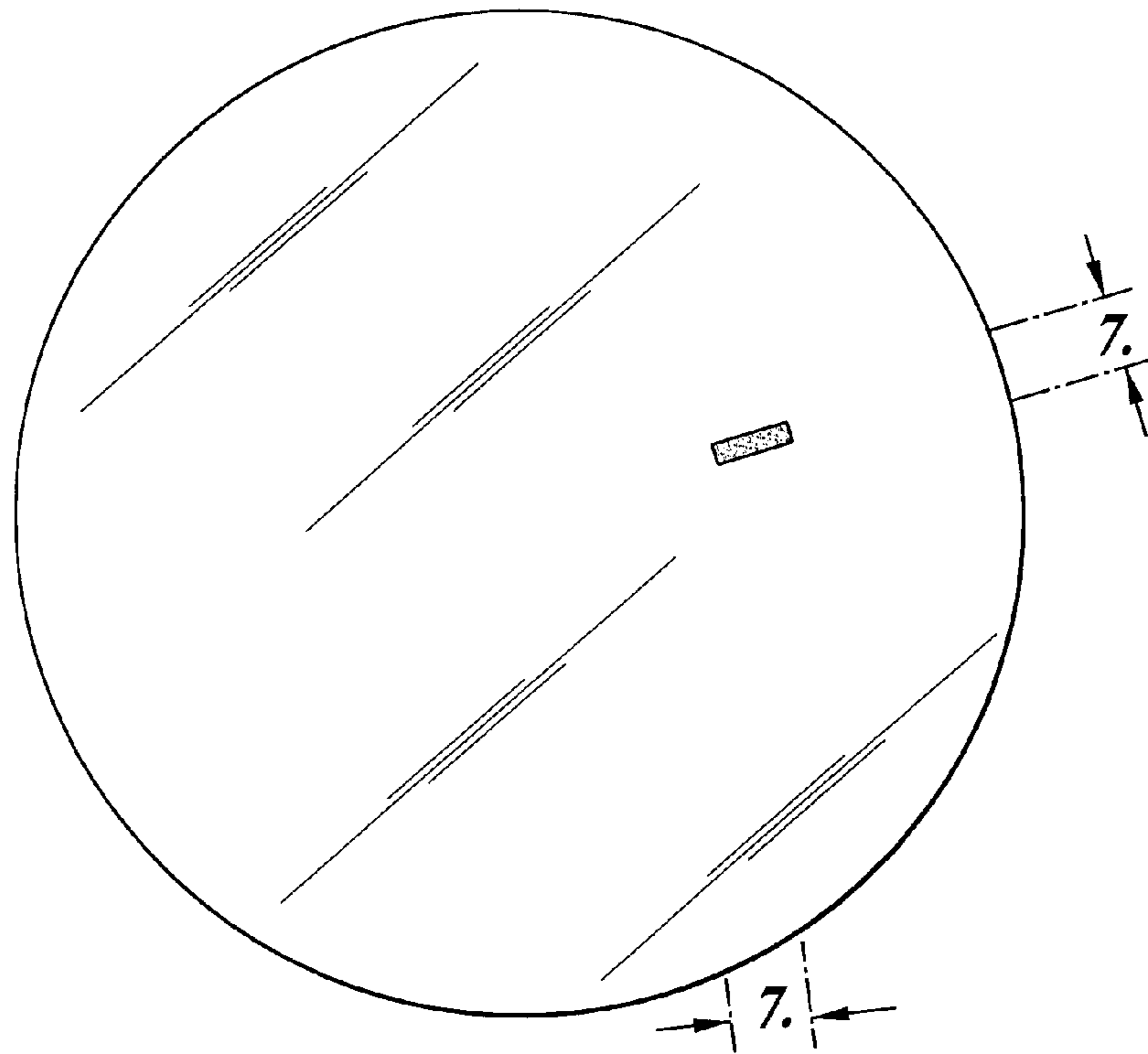


Fig. 3

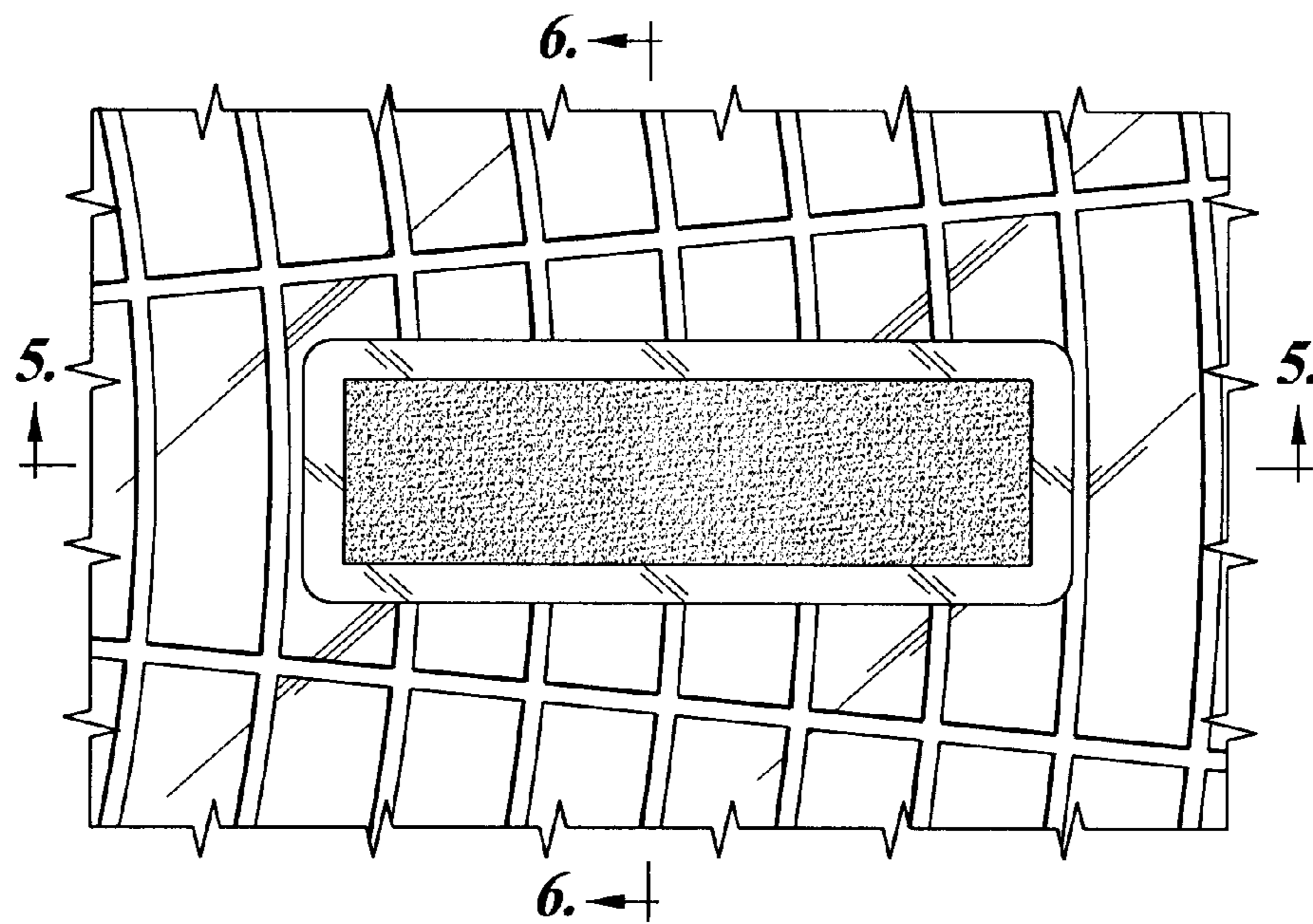


Fig. 4

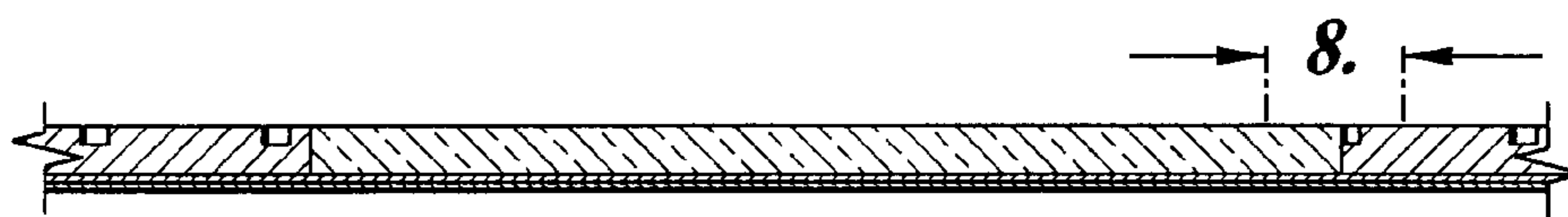


Fig. 5

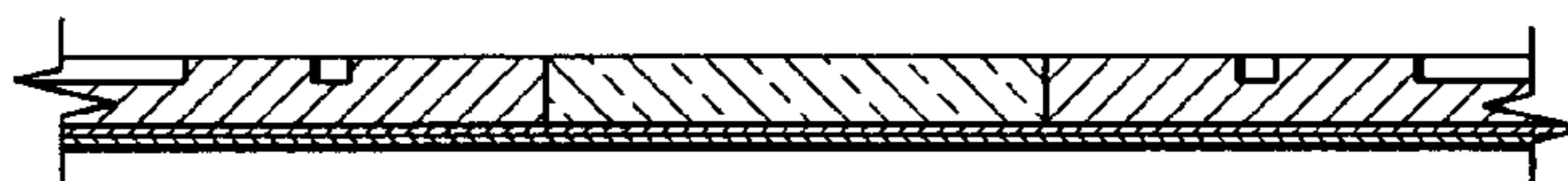


Fig. 6

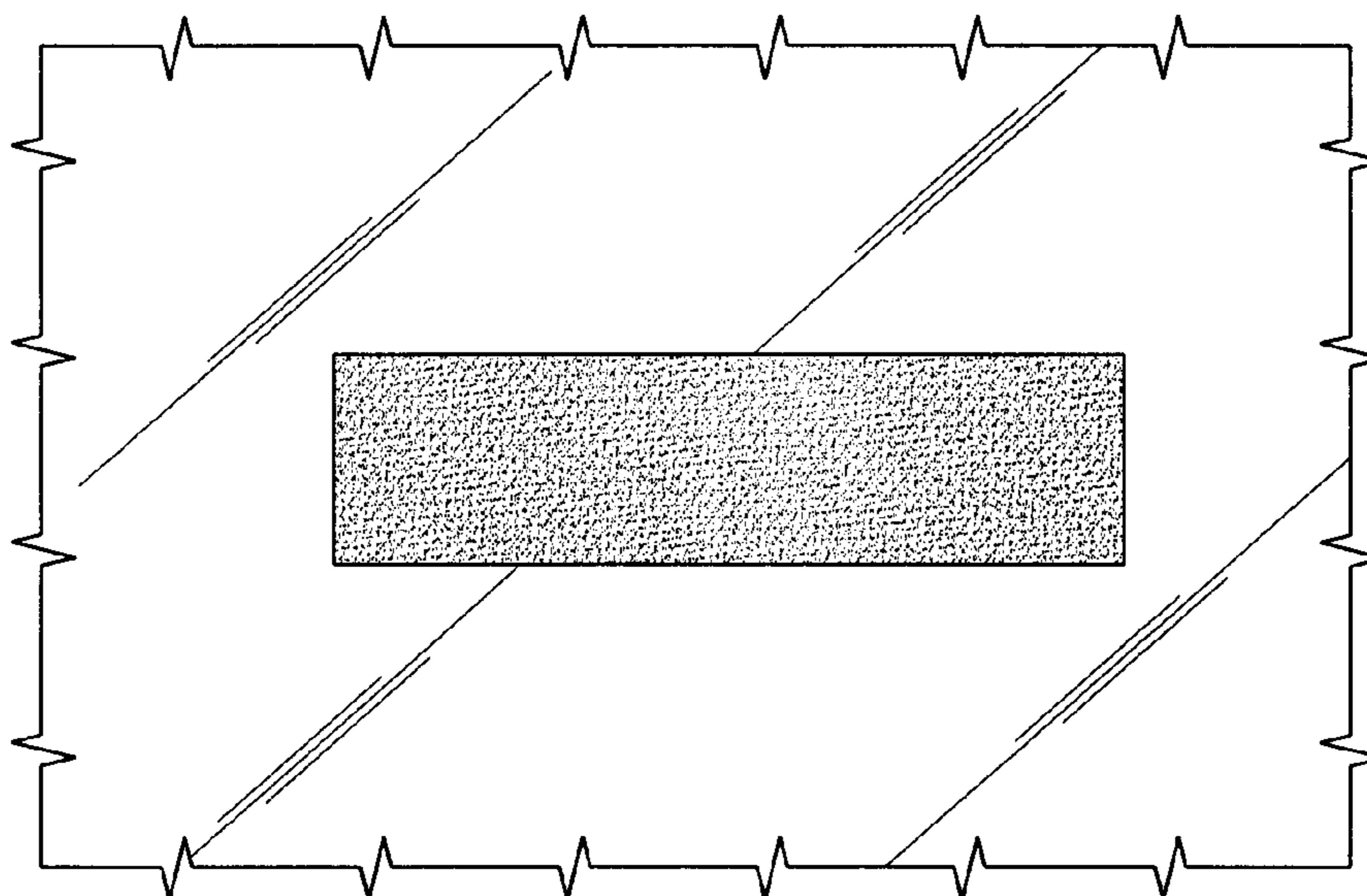


Fig. 7

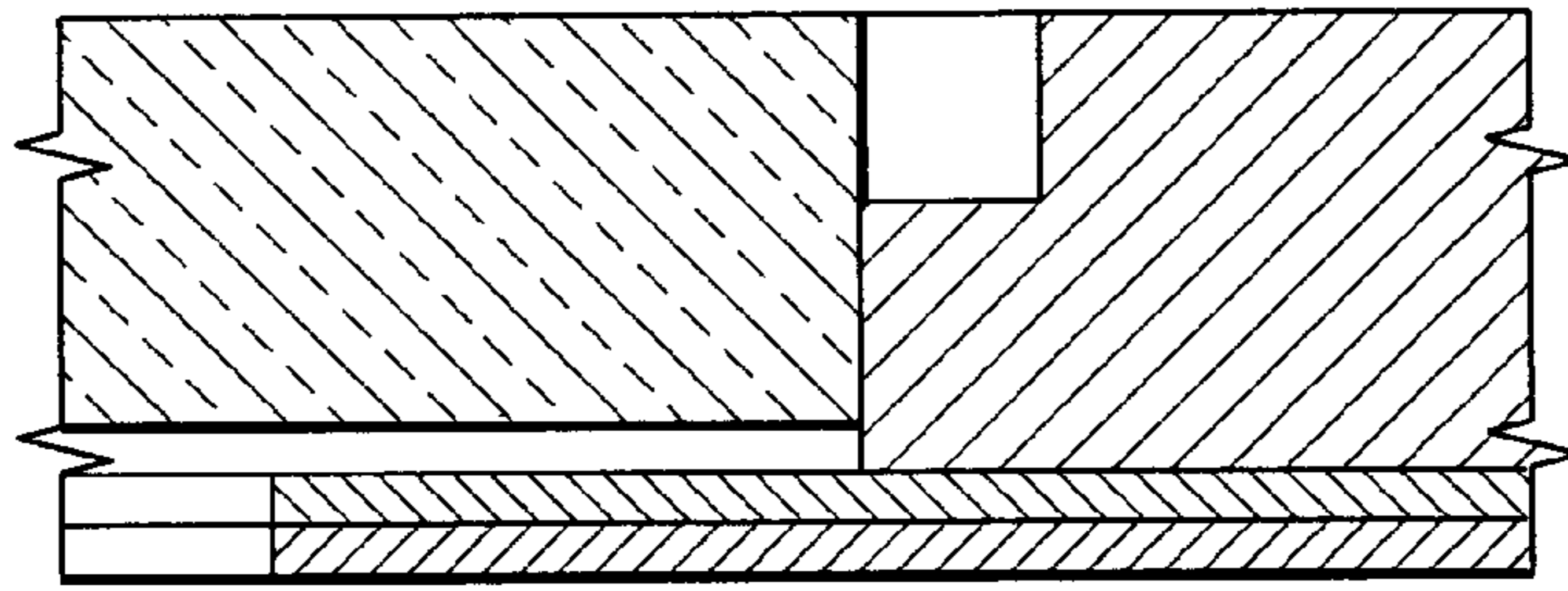


Fig. 8

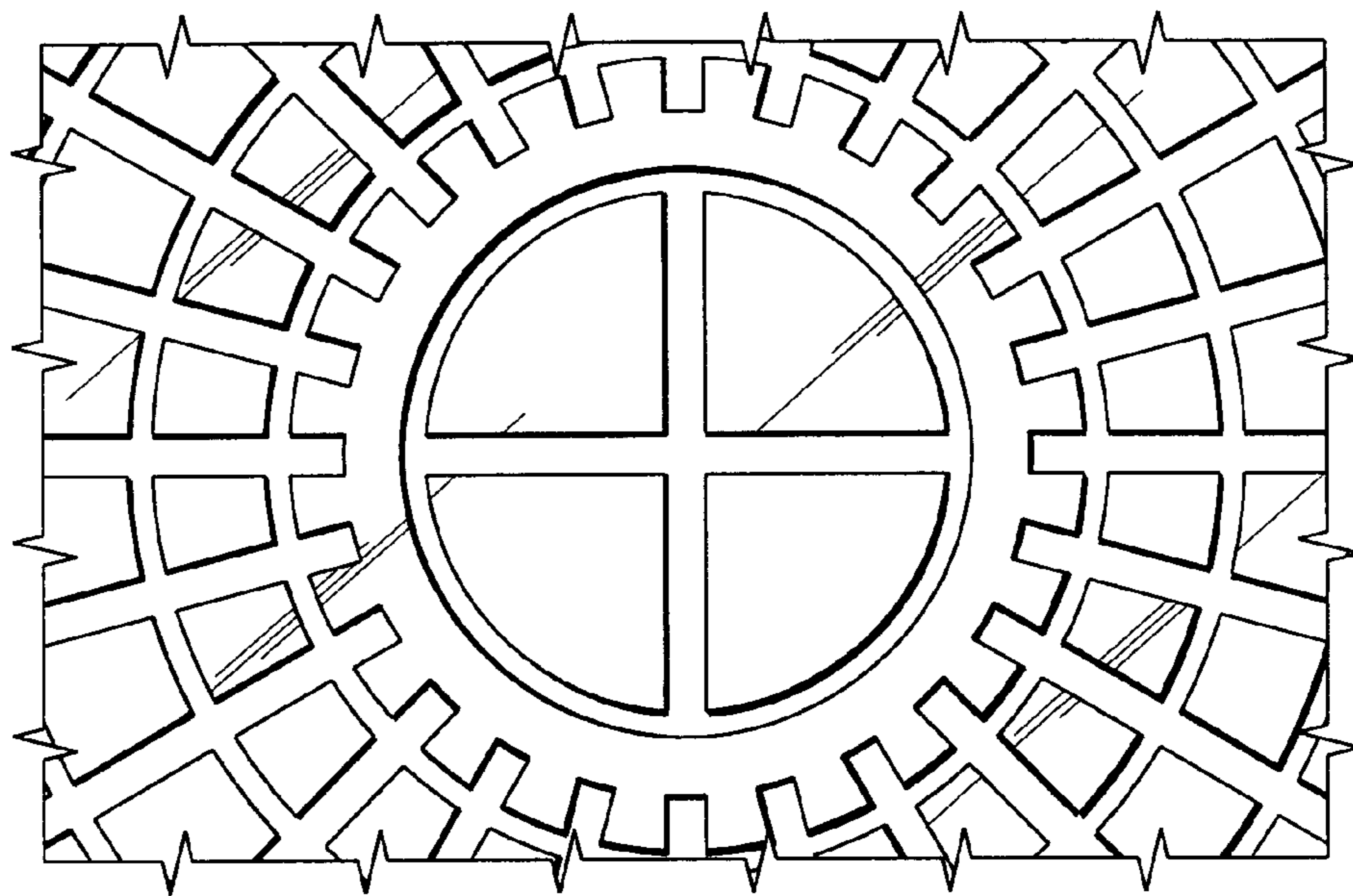


Fig. 9