



US00D592028S

(12) **United States Design Patent**  
**Taniguchi et al.**

(10) **Patent No.:** **US D592,028 S**

(45) **Date of Patent:** **\*\* May 12, 2009**

(54) **PORTABLE ELECTRIC HAMMER DRILL**

D540,642 S \* 4/2007 Stirm ..... D8/69

D555,451 S \* 11/2007 Okuda et al. .... D8/69

(75) Inventors: **Takeshi Taniguchi**, Hitachinaka (JP);  
**Hitoshi Tsuzuki**, Hitachinaka (JP);  
**Tomoyuki Kawahara**, Hitachinaka (JP);  
**Shinichi Kakefuda**, Hitachinaka (JP);  
**Atsuyuki Kikuchi**, Hitachinaka (JP);  
**Shingo Yamazaki**, Hitachinaka (JP)

D563,749 S \* 3/2008 Okuda et al. .... D8/69

D575,606 S \* 8/2008 Okouchi et al. .... D8/69

2008/0211327 A1\* 9/2008 Schlegel et al. .... 310/50

\* cited by examiner

(73) Assignee: **Hitachi Koki Co., Ltd.**, Tokyo (JP)

*Primary Examiner*—Antoine D Davis

(\*\*) Term: **14 Years**

(74) *Attorney, Agent, or Firm*—Sughrue Mion, PLLC

(21) Appl. No.: **29/324,490**

(57) **CLAIM**

(22) Filed: **Sep. 12, 2008**

The ornamental design for a portable electric hammer drill, as shown and described.

(30) **Foreign Application Priority Data**

Mar. 14, 2008 (JP) ..... 2008-006384

**DESCRIPTION**

(51) **LOC (9) Cl.** ..... **08-01**

(52) **U.S. Cl.** ..... **D8/69**

(58) **Field of Classification Search** ..... D8/61-70;  
81/57.11, 429, 454-456, 469, 489; 173/13,  
173/104, 114, 167-173, 178, 201, 211, 213,  
173/217, 198; 227/8, 113, 114, 120, 130,  
227/136, 142; 310/50; 408/20, 124, 125,  
408/234, 241 R, 58, 67; 451/358

FIG. 1 is a front perspective view of the portable electric hammer drill according to the present invention;

FIG. 2 is a rear perspective view thereof;

FIG. 3 is a first side view thereof;

FIG. 4 is a second side view thereof;

FIG. 5 is a front end view thereof;

FIG. 6 is a rear end view thereof;

FIG. 7 is a top view thereof; and,

FIG. 8 is a bottom view thereof.

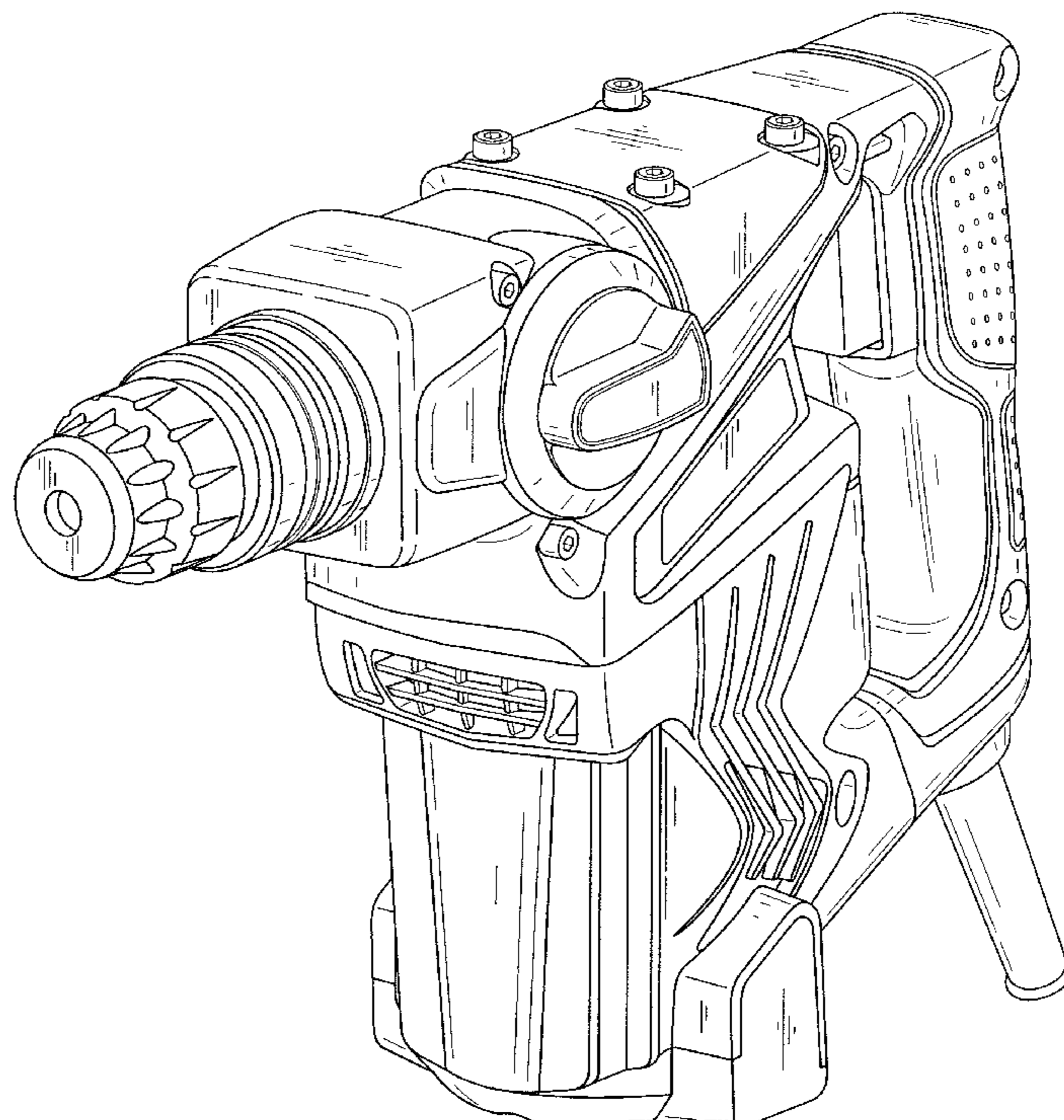
See application file for complete search history.

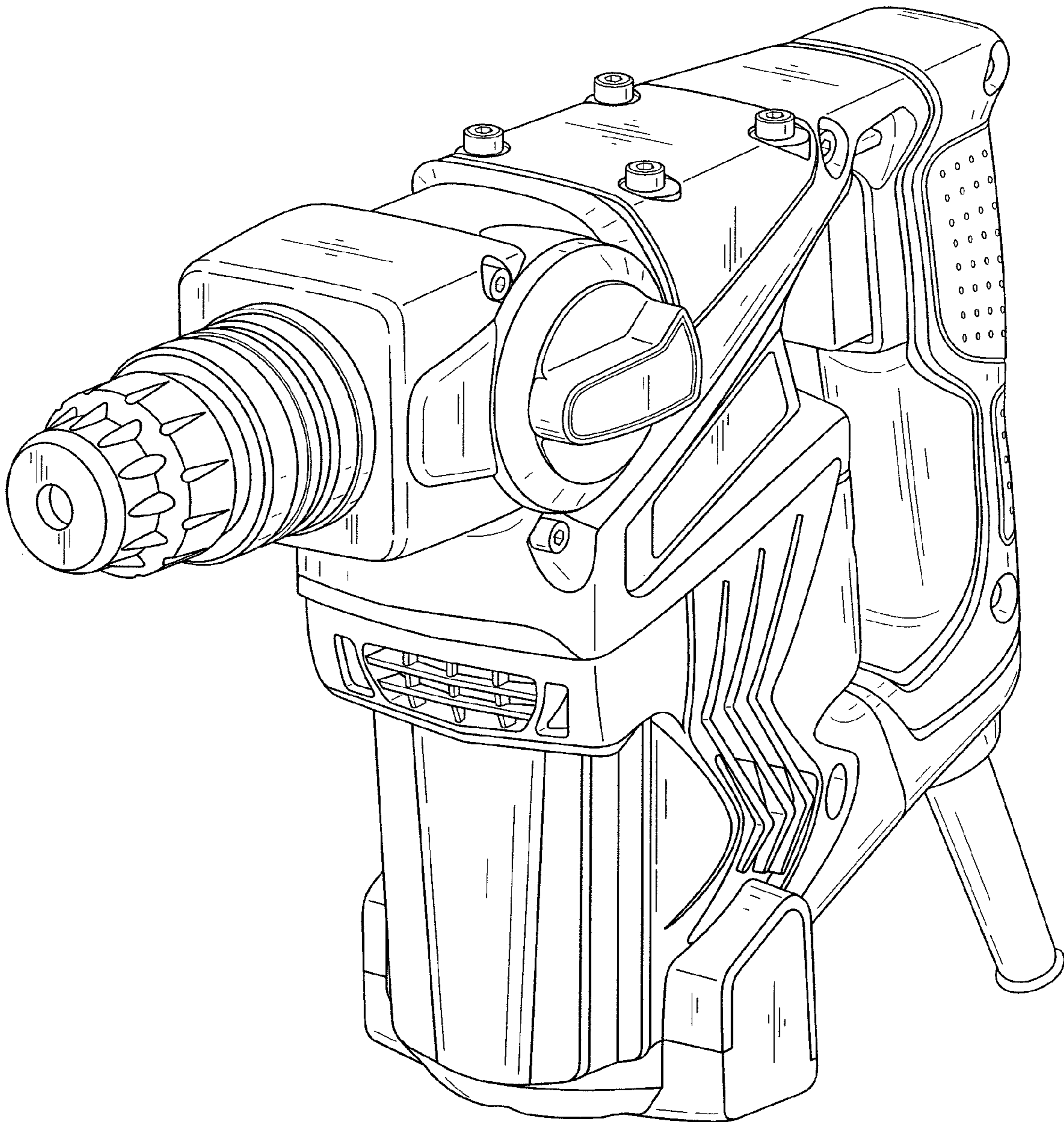
(56) **References Cited**

**U.S. PATENT DOCUMENTS**

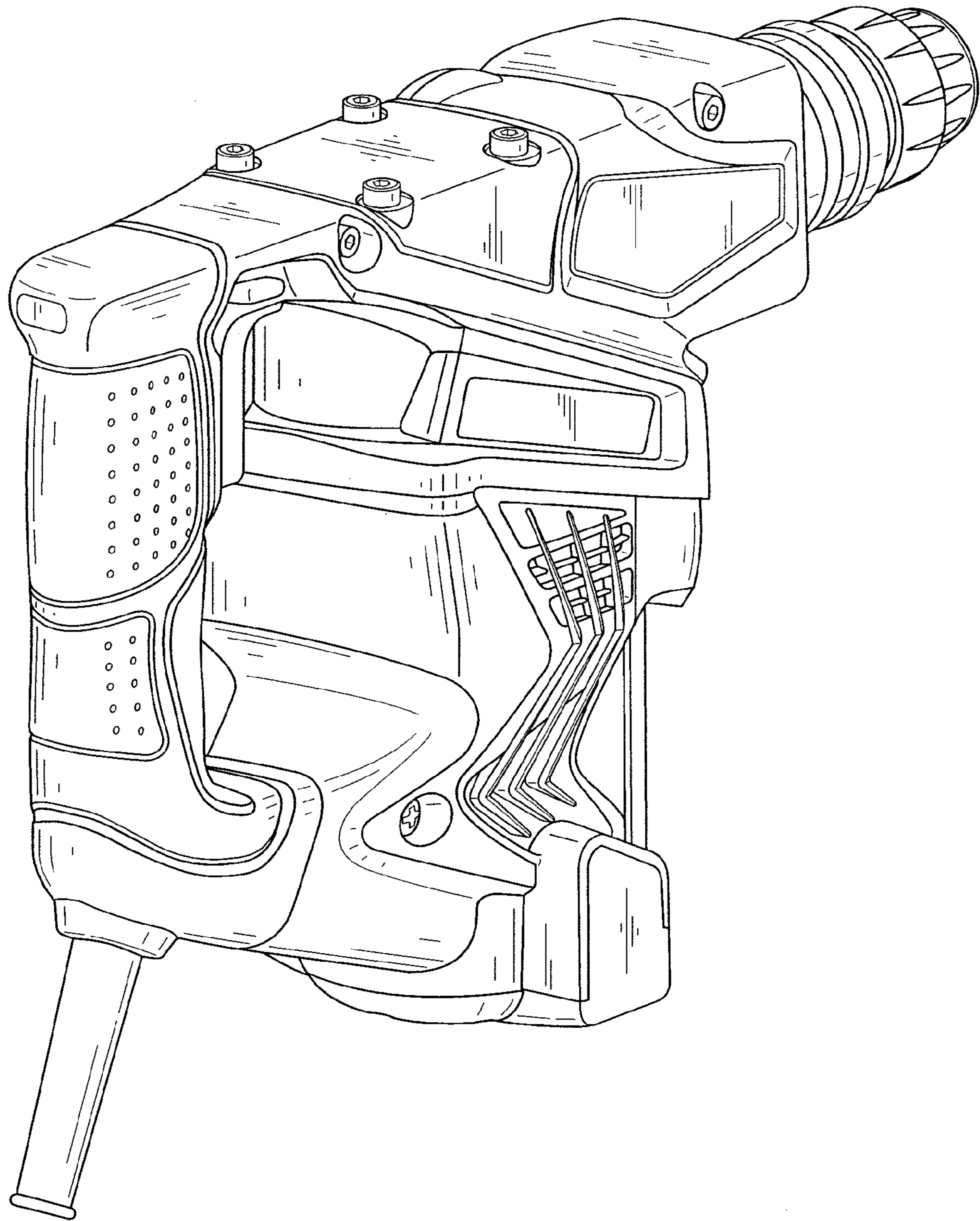
D527,601 S \* 9/2006 Stirm ..... D8/69

**1 Claim, 7 Drawing Sheets**





**FIG. 1**



**FIG. 2**



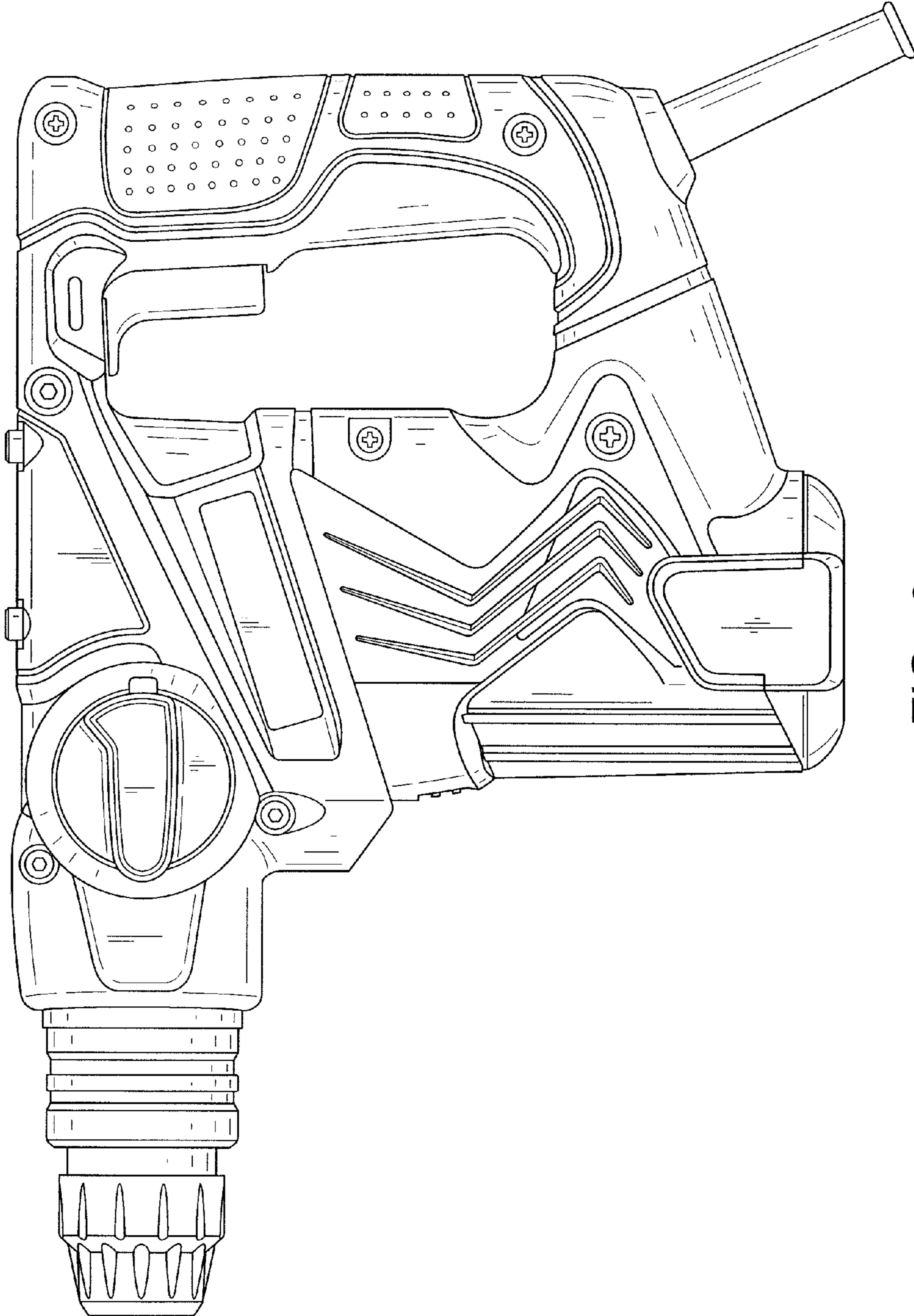


FIG. 3

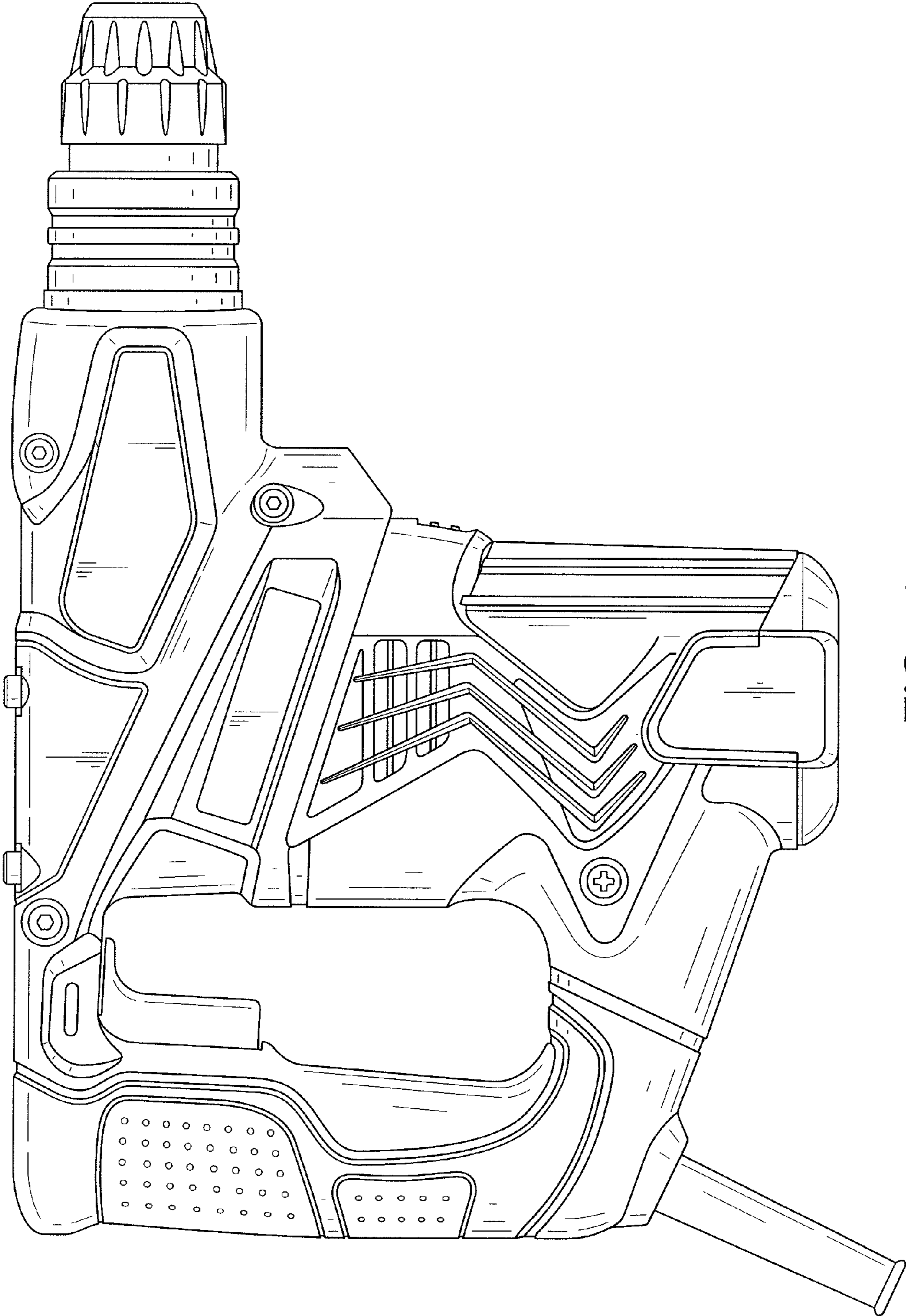


FIG. 4

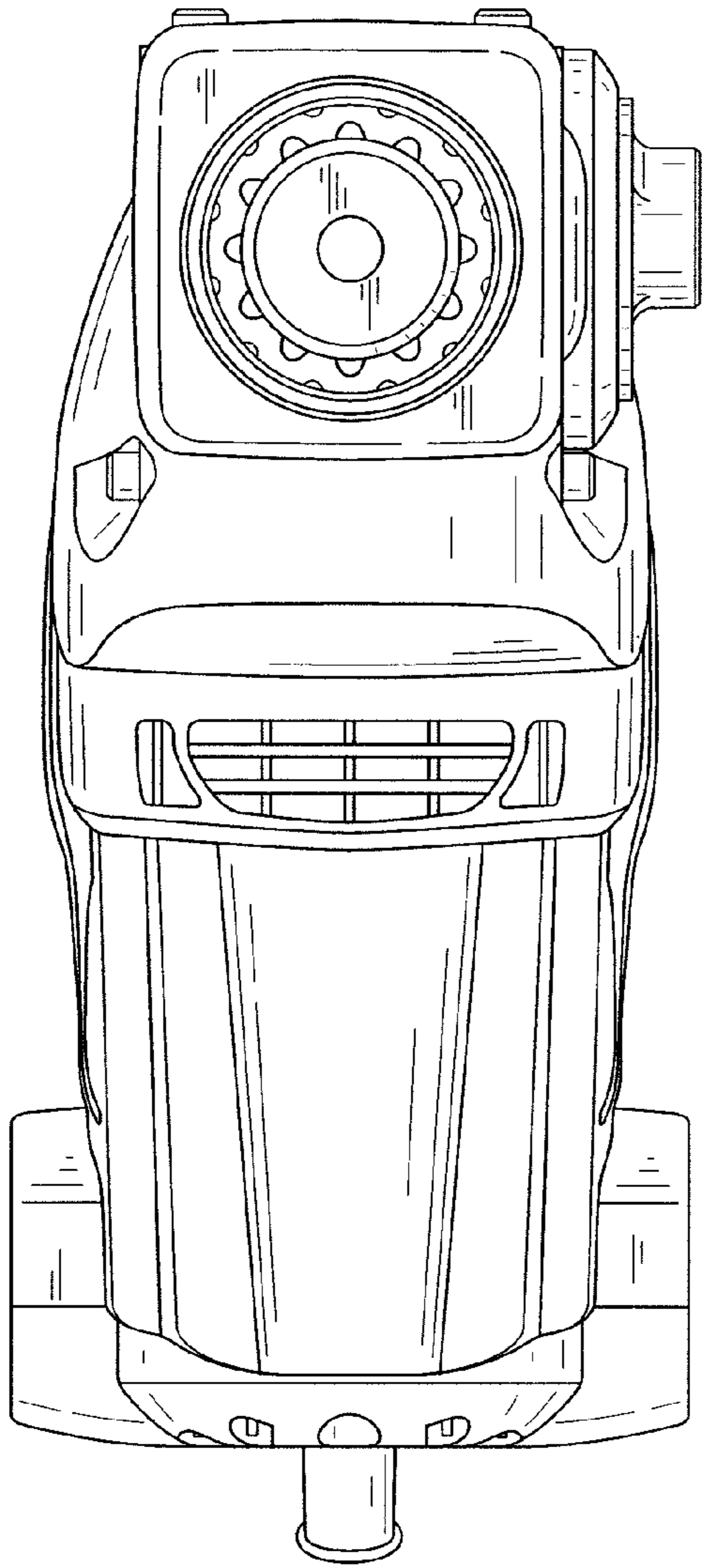


FIG. 5

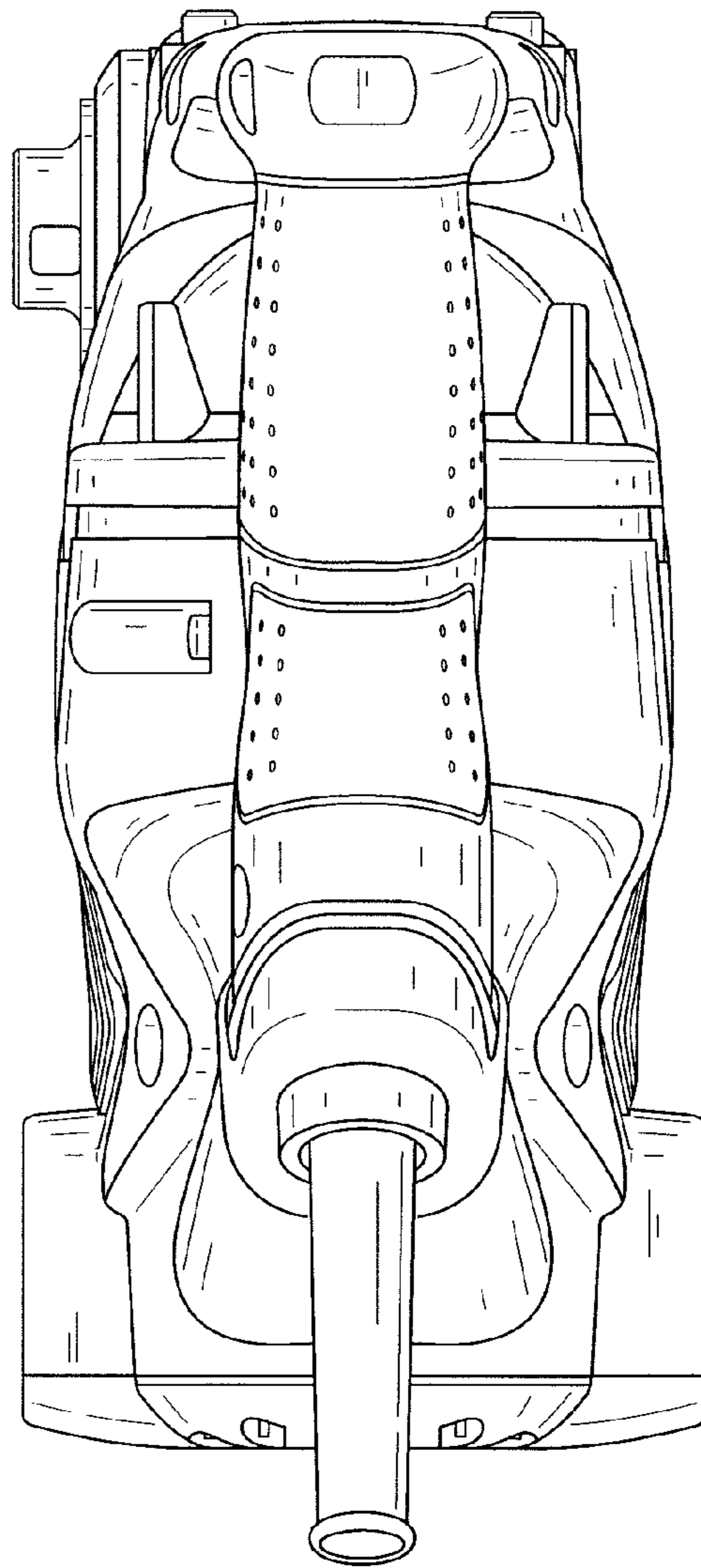


FIG. 6

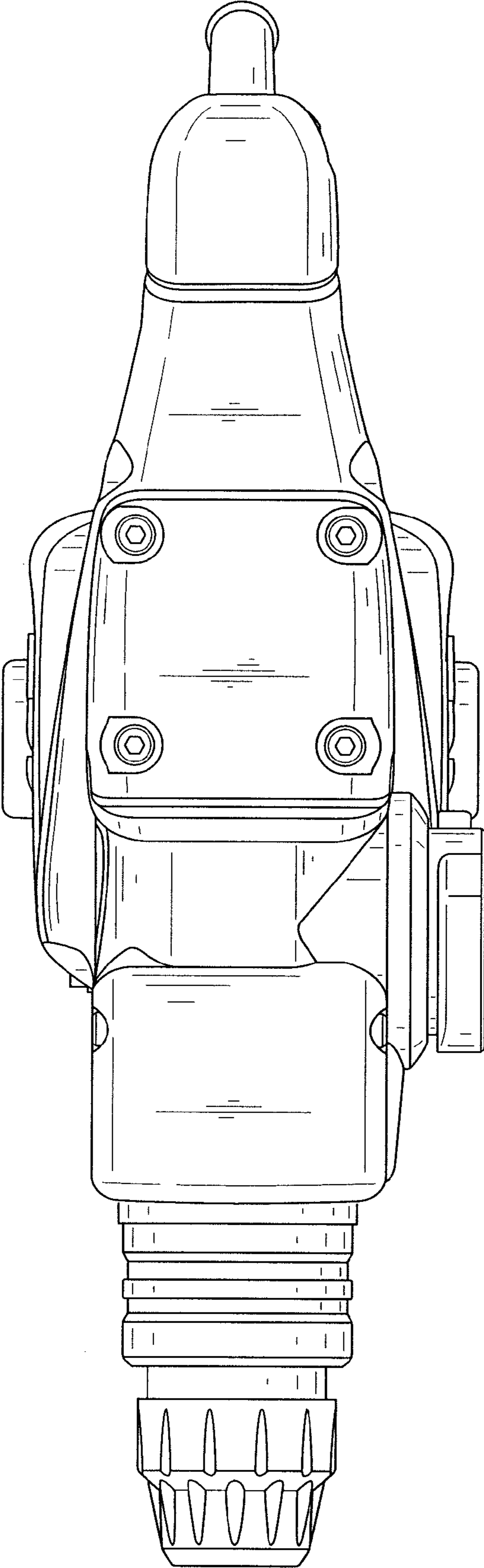


FIG. 7



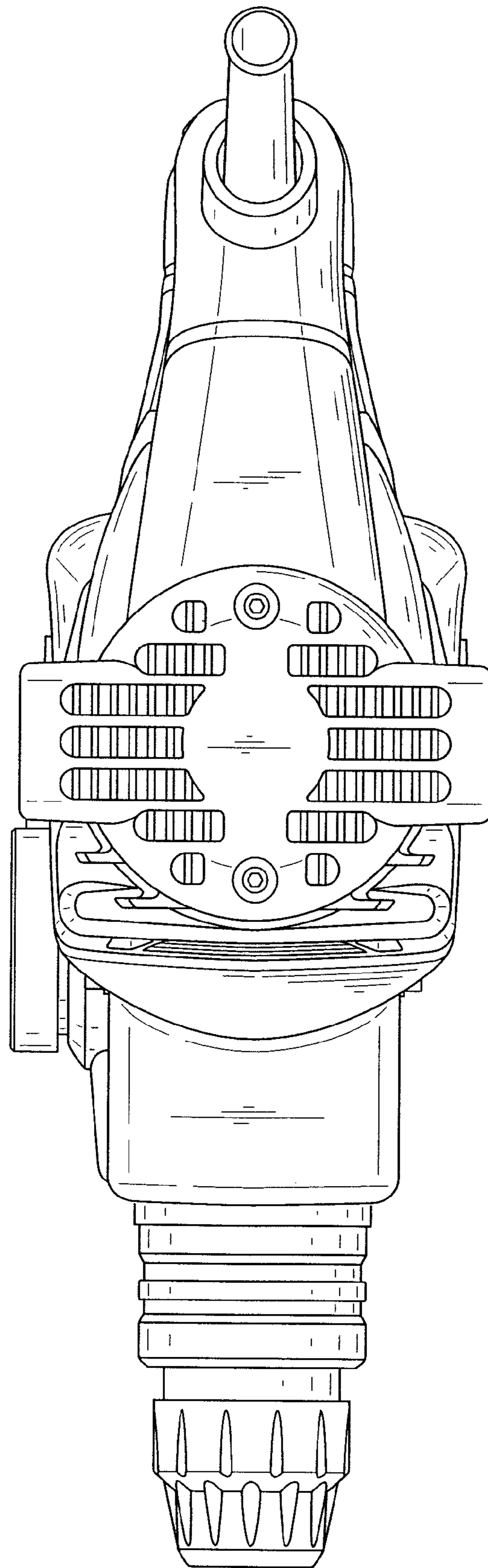


FIG. 8