



US00D592025S

(12) **United States Design Patent**
Snowball

(10) **Patent No.:** **US D592,025 S**

(45) **Date of Patent:** **** May 12, 2009**

(54) **POWERED PLANER TOOL**

D570,661 S * 6/2008 O'Hern D8/62

(75) Inventor: **Colin Snowball**, York (GB)

* cited by examiner

(73) Assignee: **GMCA Pty Ltd.**, Victoria (AU)

Primary Examiner—Antoine D Davis
(74) *Attorney, Agent, or Firm*—Woodward, Emhardt,
Moriarty, McNett & Henry LLP

(**) Term: **14 Years**

(21) Appl. No.: **29/321,131**

(57) **CLAIM**

(22) Filed: **Jul. 11, 2008**

The ornamental design for a powered planer tool, as shown and described.

(51) **LOC (9) Cl.** **08-01**

(52) **U.S. Cl.** **D8/62**

(58) **Field of Classification Search** D8/62;
451/456, 451, 359, 358, 357, 356, 355, 354,
451/353, 352, 351, 344

See application file for complete search history.

DESCRIPTION

FIG. 1 is a perspective view of a powered planer tool showing my new design;

FIG. 2 is a right side view thereof;

FIG. 3 is a left side view thereof;

FIG. 4 is a front view thereof;

FIG. 5 is a rear view thereof;

FIG. 6 is a top view thereof; and,

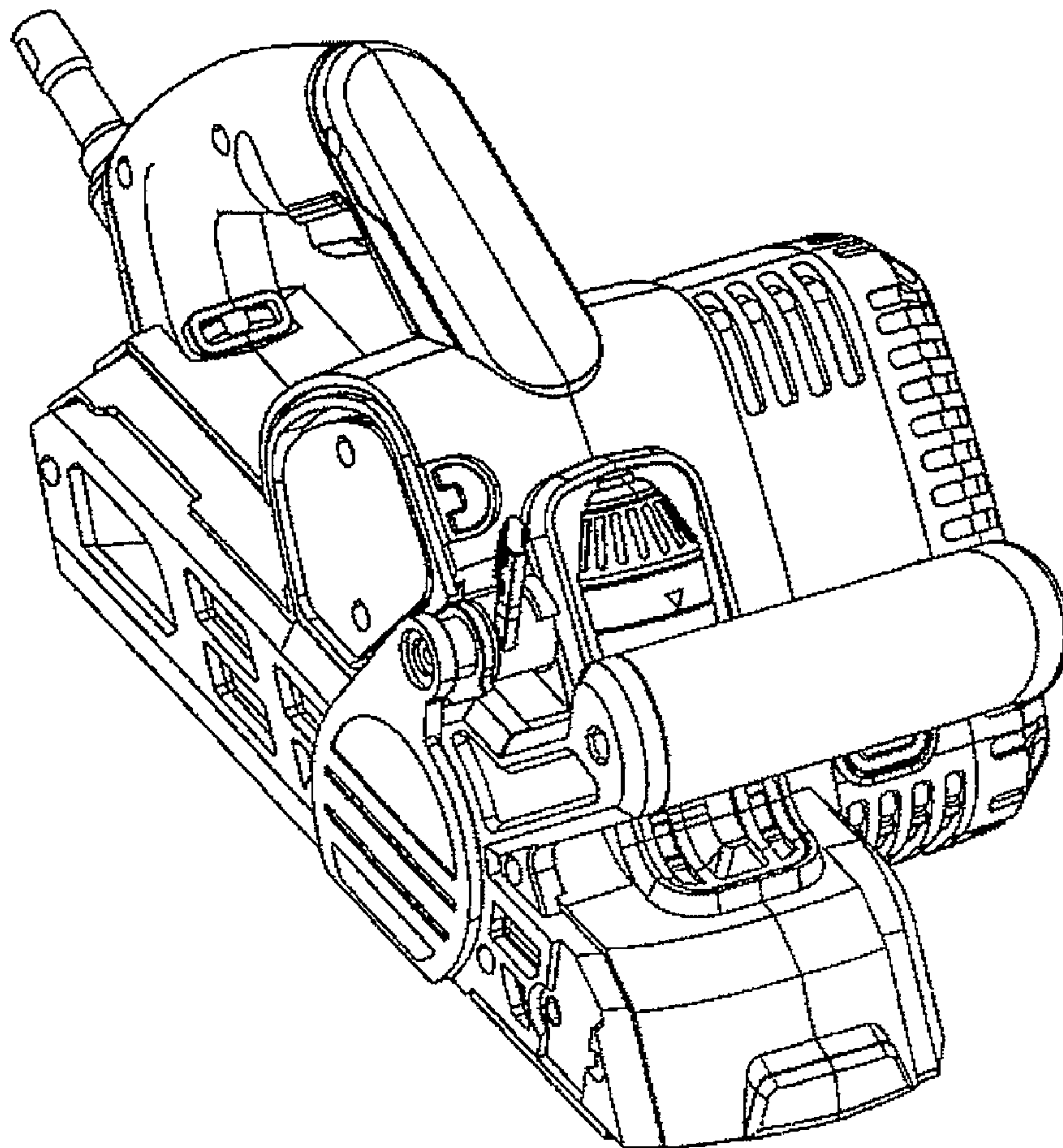
FIG. 7 is a bottom view thereof.

(56) **References Cited**

U.S. PATENT DOCUMENTS

D529,357 S *	10/2006	Qiu	D8/62
7,179,158 B2 *	2/2007	Mastrobattista	451/444
D540,133 S *	4/2007	Corcoran	D8/62
D559,641 S *	1/2008	Hotta et al.	D8/62
7,338,348 B2 *	3/2008	Melvin et al.	451/28

1 Claim, 7 Drawing Sheets



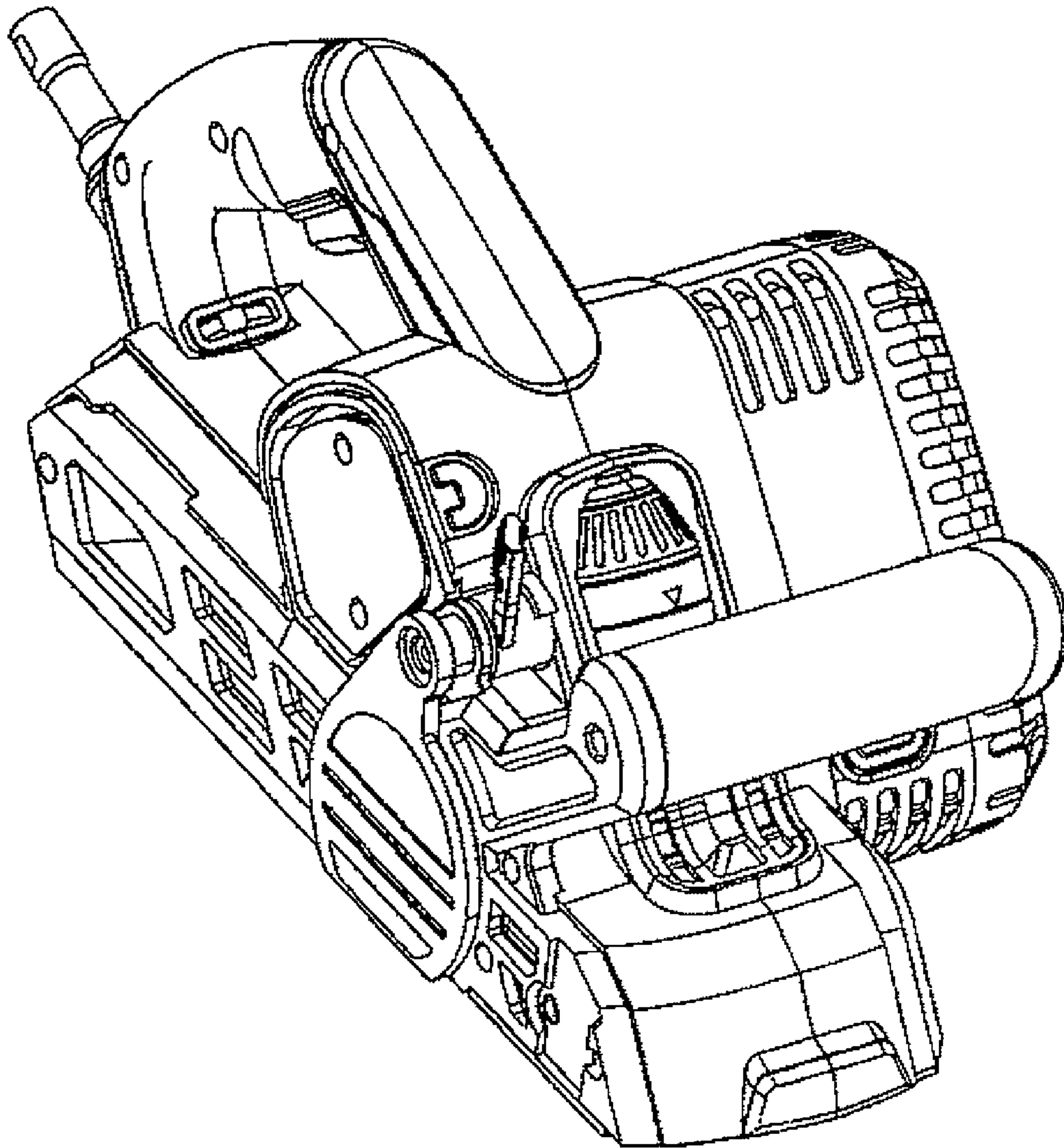


Fig. 1

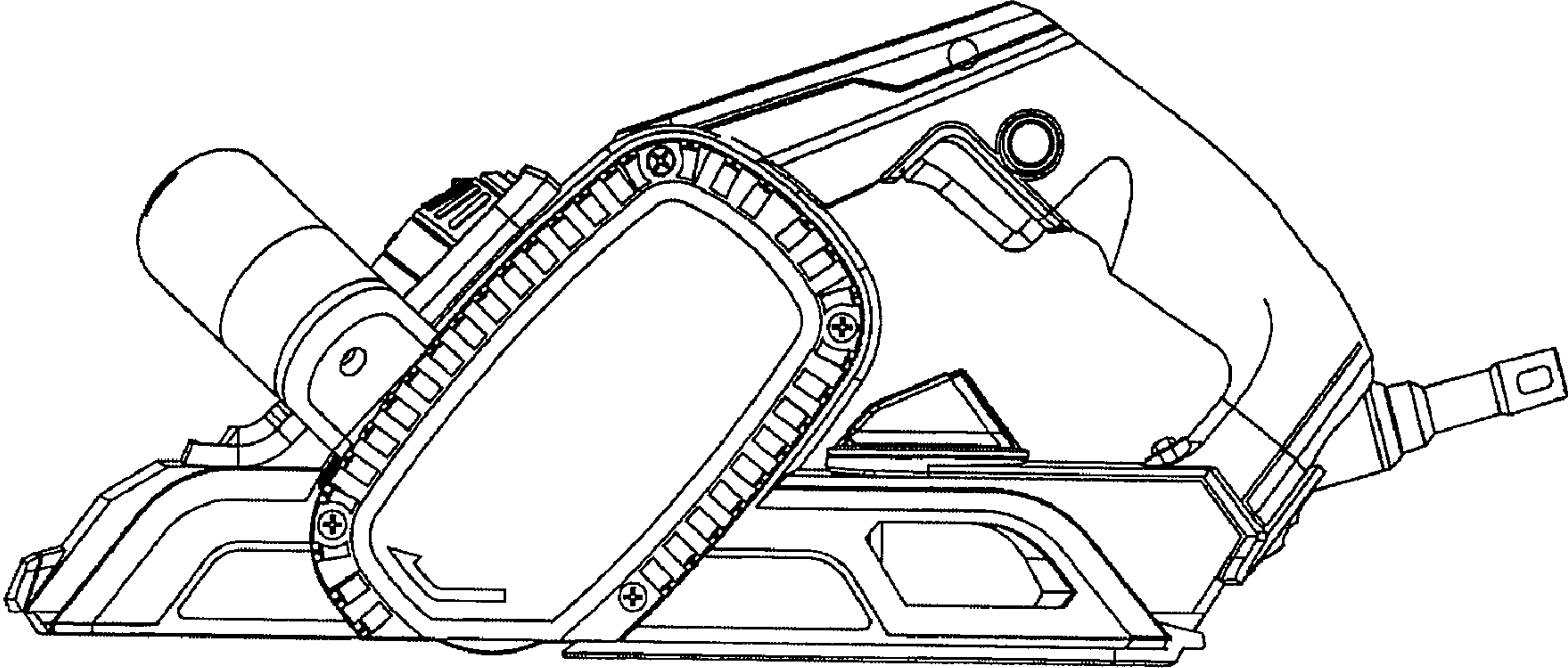


Fig. 2

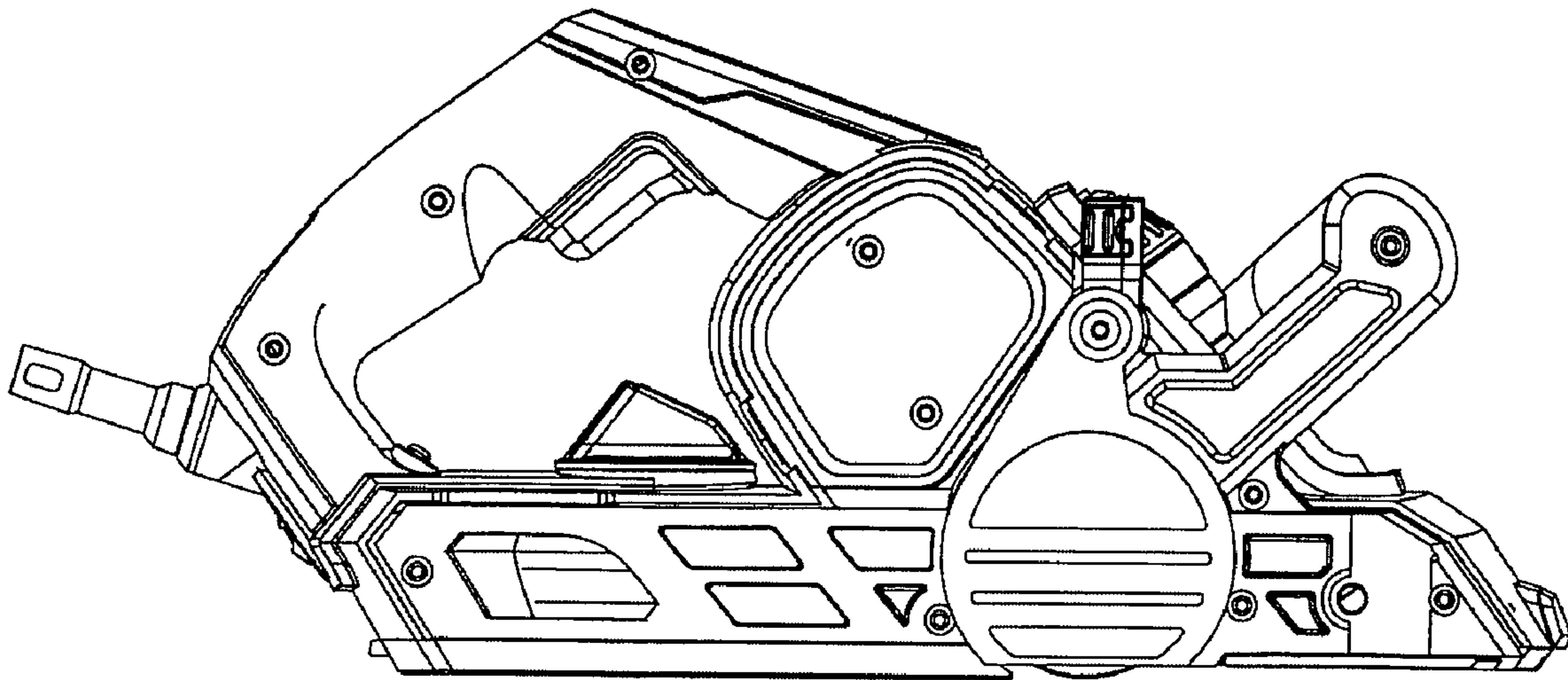


Fig. 3

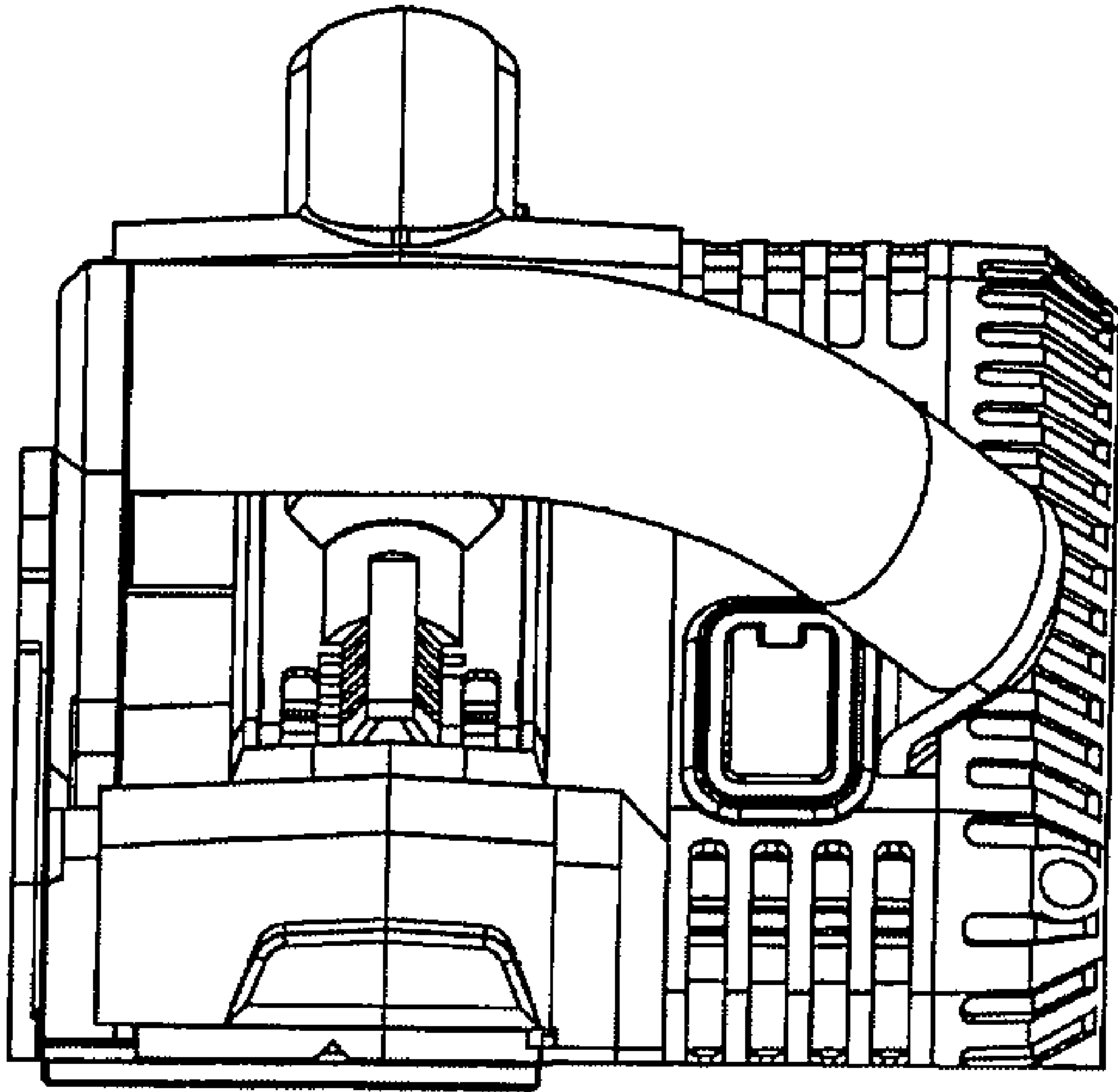


Fig. 4

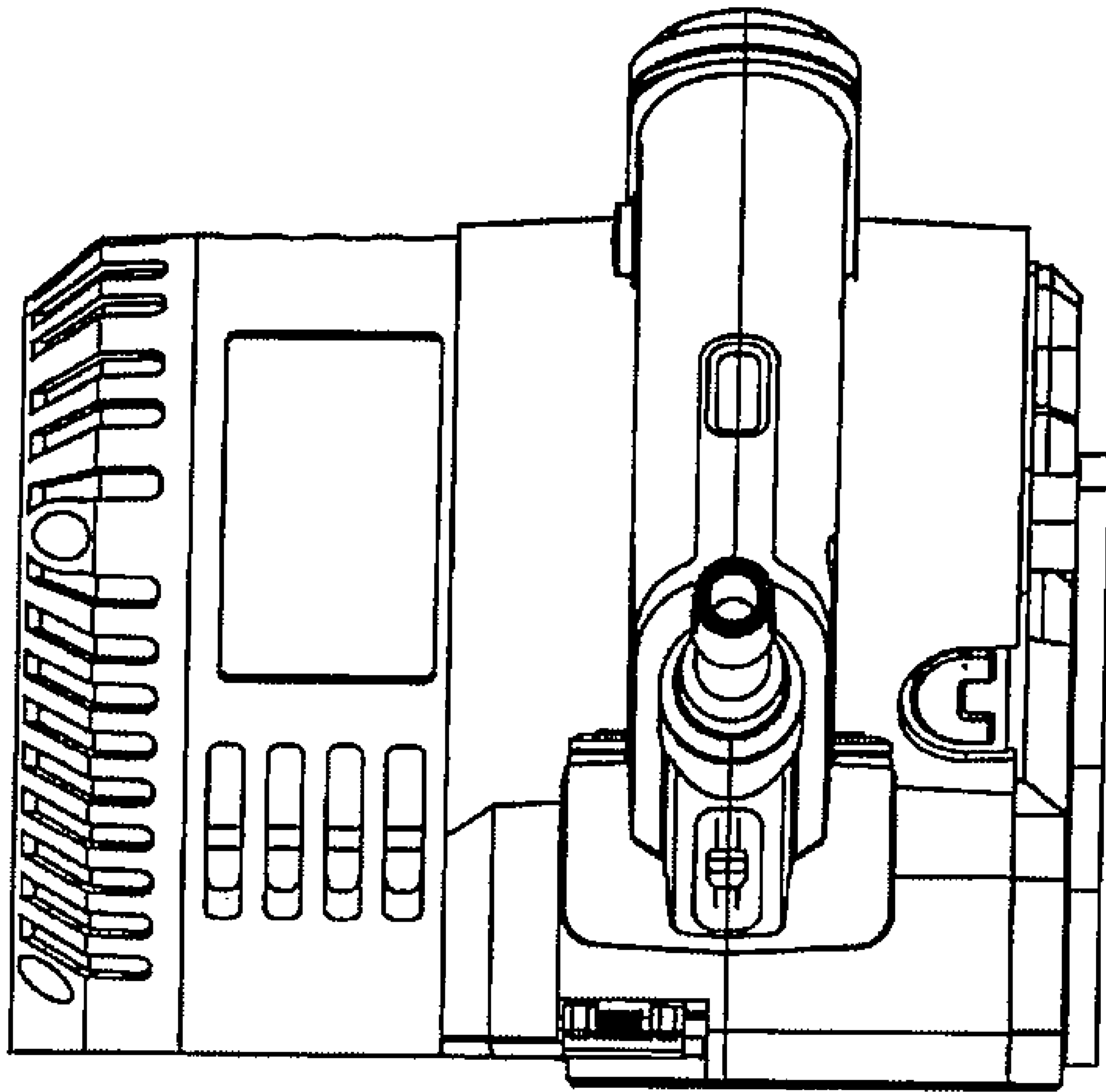


Fig. 5

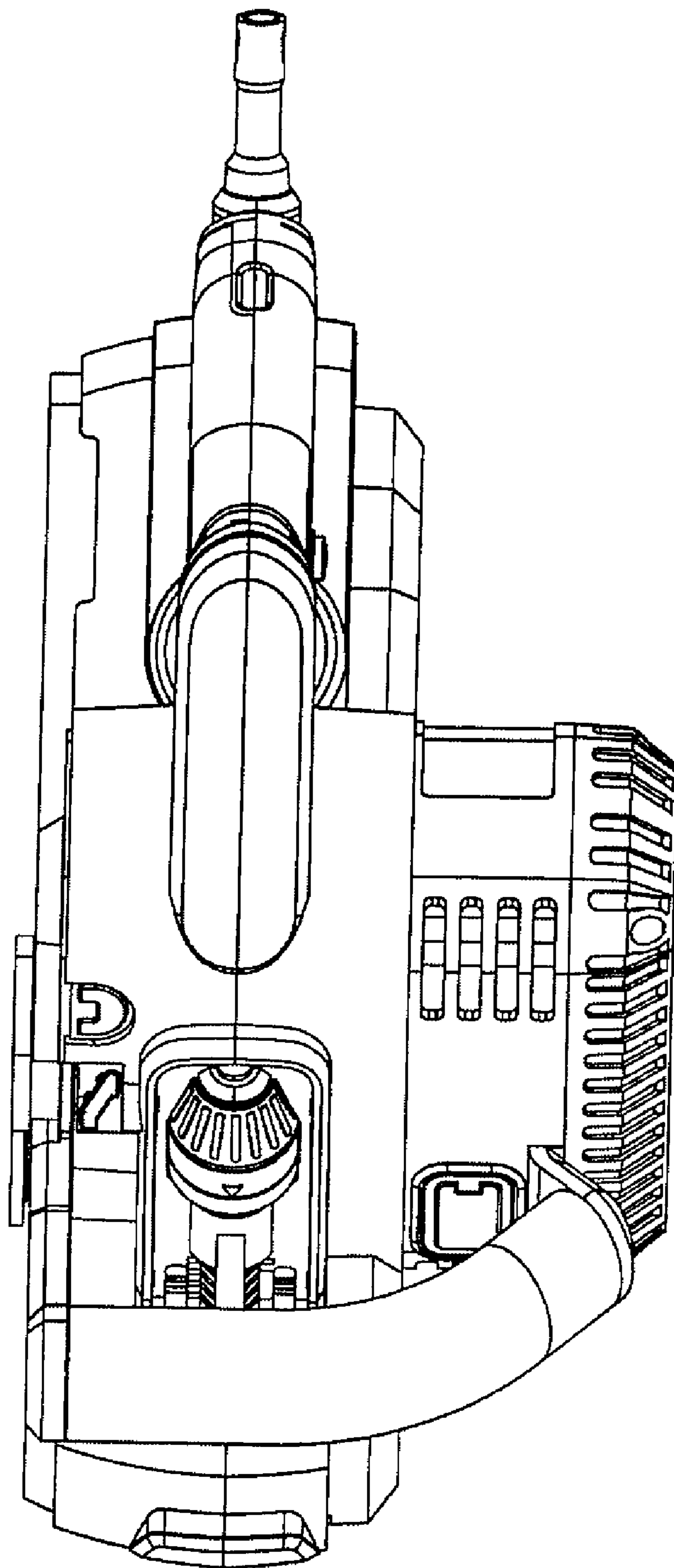


Fig. 6

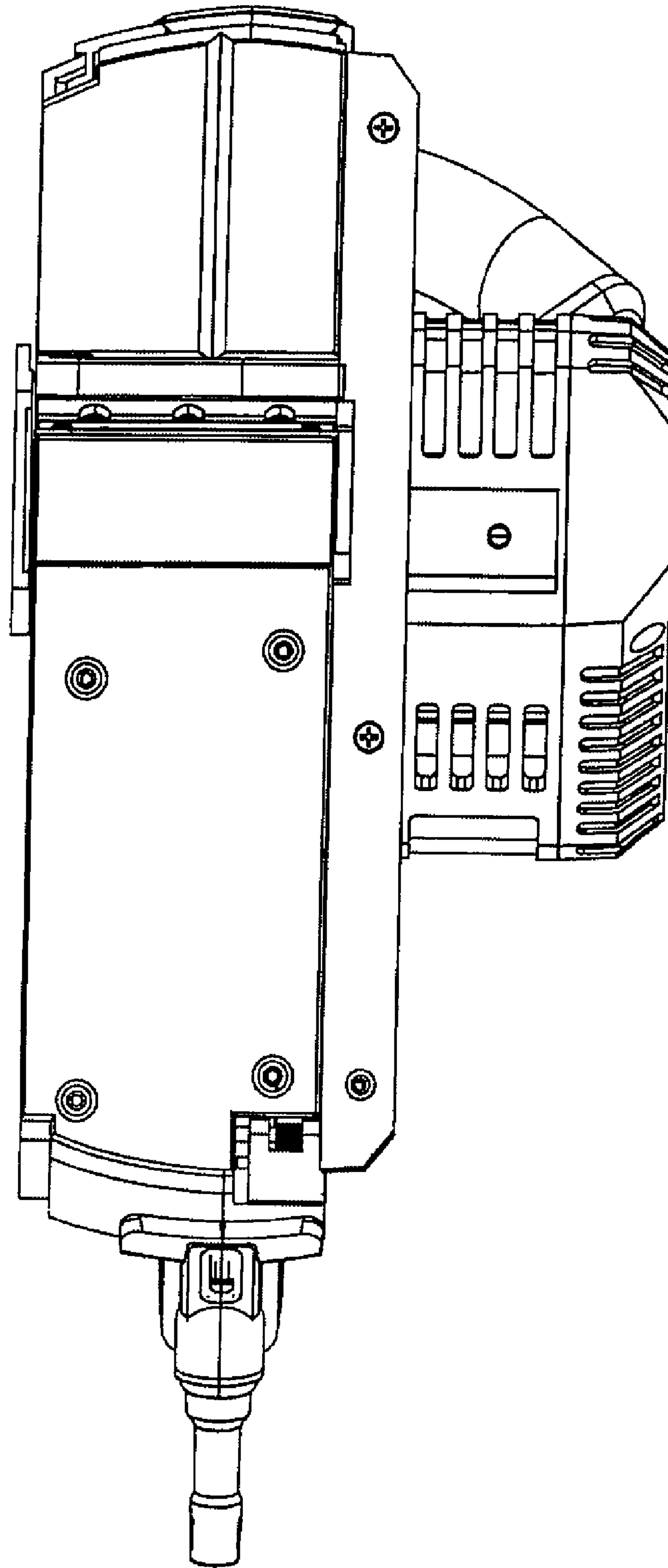


Fig.7