



US00D592023S

(12) **United States Design Patent**  
**Herrle**

(10) **Patent No.:** **US D592,023 S**

(45) **Date of Patent:** **\*\* May 12, 2009**

(54) **RAKE**

(76) Inventor: **Ronald Herrle**, 3145 Aspen Dr., Penryn,  
CA (US) 95663

(\*\*) Term: **14 Years**

(21) Appl. No.: **29/293,376**

(22) Filed: **Nov. 20, 2007**

(51) **LOC (9) Cl.** ..... **08-01**

(52) **U.S. Cl.** ..... **D8/13**

(58) **Field of Classification Search** ..... D8/13,  
D8/6; 56/400.1, 400.12-400.15  
See application file for complete search history.

(56) **References Cited**

U.S. PATENT DOCUMENTS

2,030,321	A	*	2/1936	Rucklos	.....	56/400.19
D133,489	S	*	8/1942	Wurster	.....	D8/6
2,489,047	A	*	11/1949	Pabst et al.	.....	56/400.1
D211,596	S	*	7/1968	Gransden	.....	D8/13
D212,298	S	*	9/1968	Roberts	.....	D8/6
D230,247	S	*	2/1974	Parry	.....	D8/6
D306,682	S	*	3/1990	Thompson	.....	D8/13
D311,309	S	*	10/1990	McCoy	.....	D8/13
5,025,621	A	*	6/1991	DeMarco	.....	56/400.05
D352,874	S	*	11/1994	Garcia	.....	D8/13
D385,161	S	*	10/1997	Grinde	.....	D8/13
D413,234	S	*	8/1999	Spear	.....	D8/13

D418,734	S	*	1/2000	Ritrovato et al.	.....	D8/107
D477,195	S	*	7/2003	Stojanovich	.....	D8/13
D503,596	S	*	4/2005	Moore	.....	D8/13
D508,639	S	*	8/2005	Long	.....	D8/13
D510,003	S	*	9/2005	Moore	.....	D8/13
D546,145	S	*	7/2007	Fortier	.....	D8/13

\* cited by examiner

*Primary Examiner*—Holly H Baynham

*Assistant Examiner*—Sheryl Lane

(74) *Attorney, Agent, or Firm*—Thomas I. Rozsa

(57) **CLAIM**

The ornamental design for an improved rake, as shown and described.

**DESCRIPTION**

FIG. 1 is a perspective view of a preferred embodiment of the improved rake, showing my design.

FIG. 2 is a front view;

FIG. 3 is a rear view;

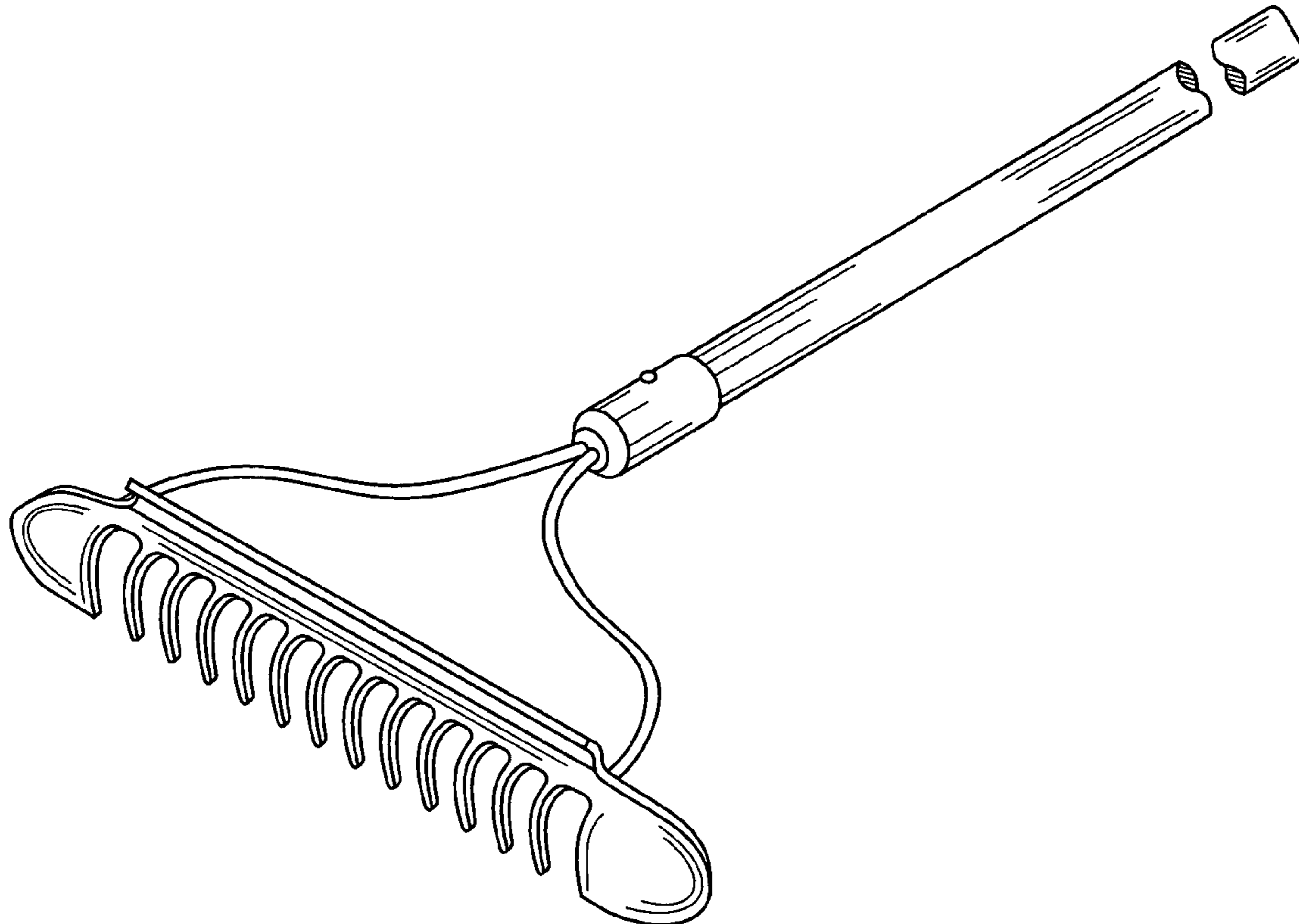
FIG. 4 is a top plan view;

FIG. 5 is a bottom plan view;

FIG. 6 is a left side elevational view; and,

FIG. 7 is a right side elevational view.

**1 Claim, 5 Drawing Sheets**



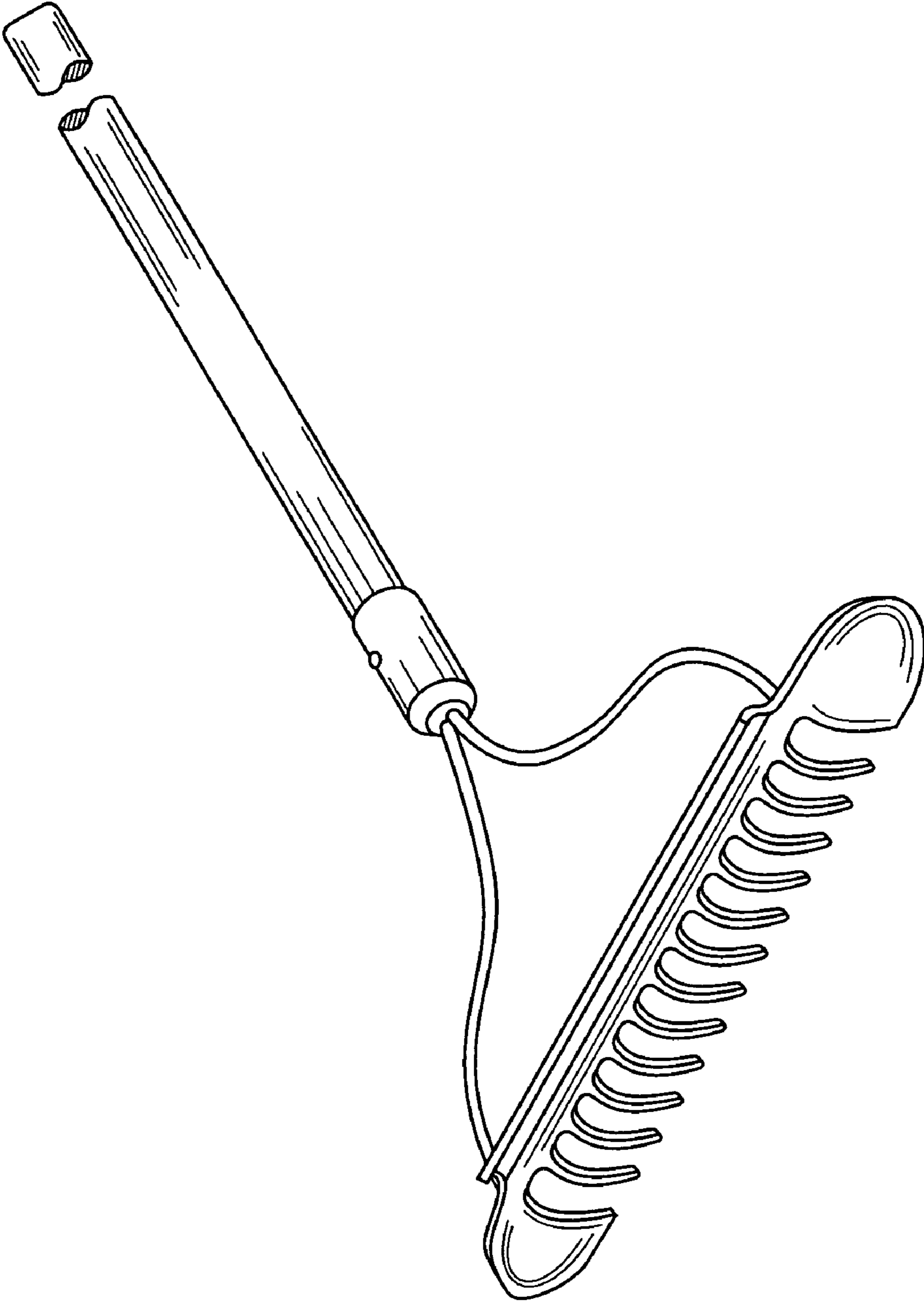


FIG. 1

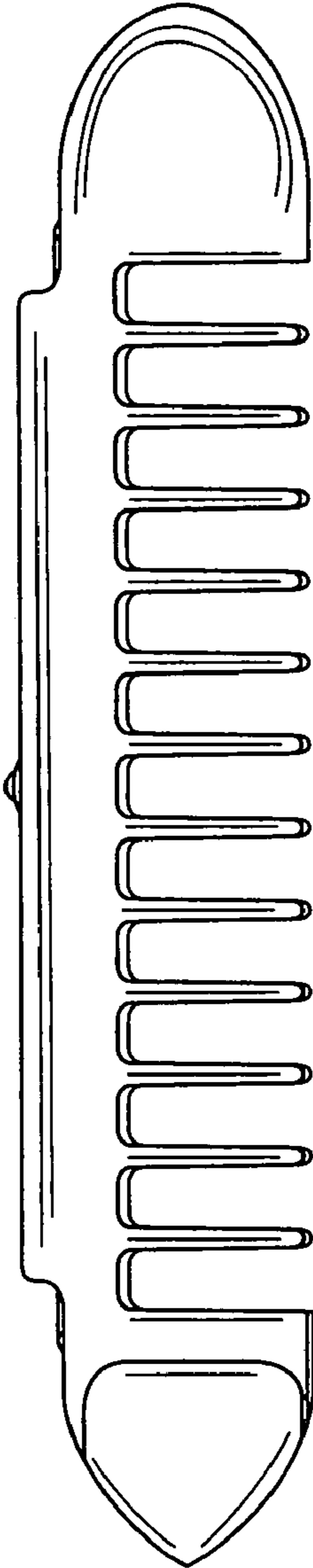


FIG. 2

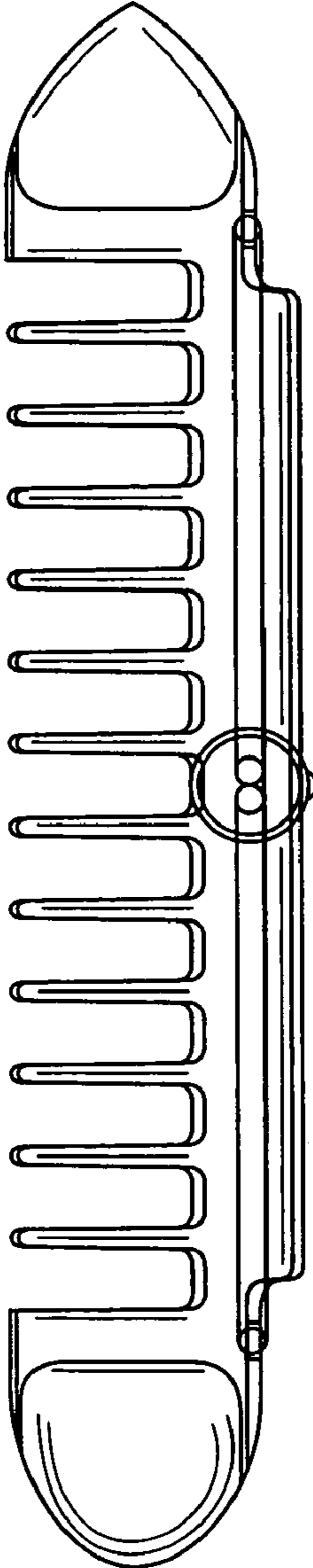


FIG. 3

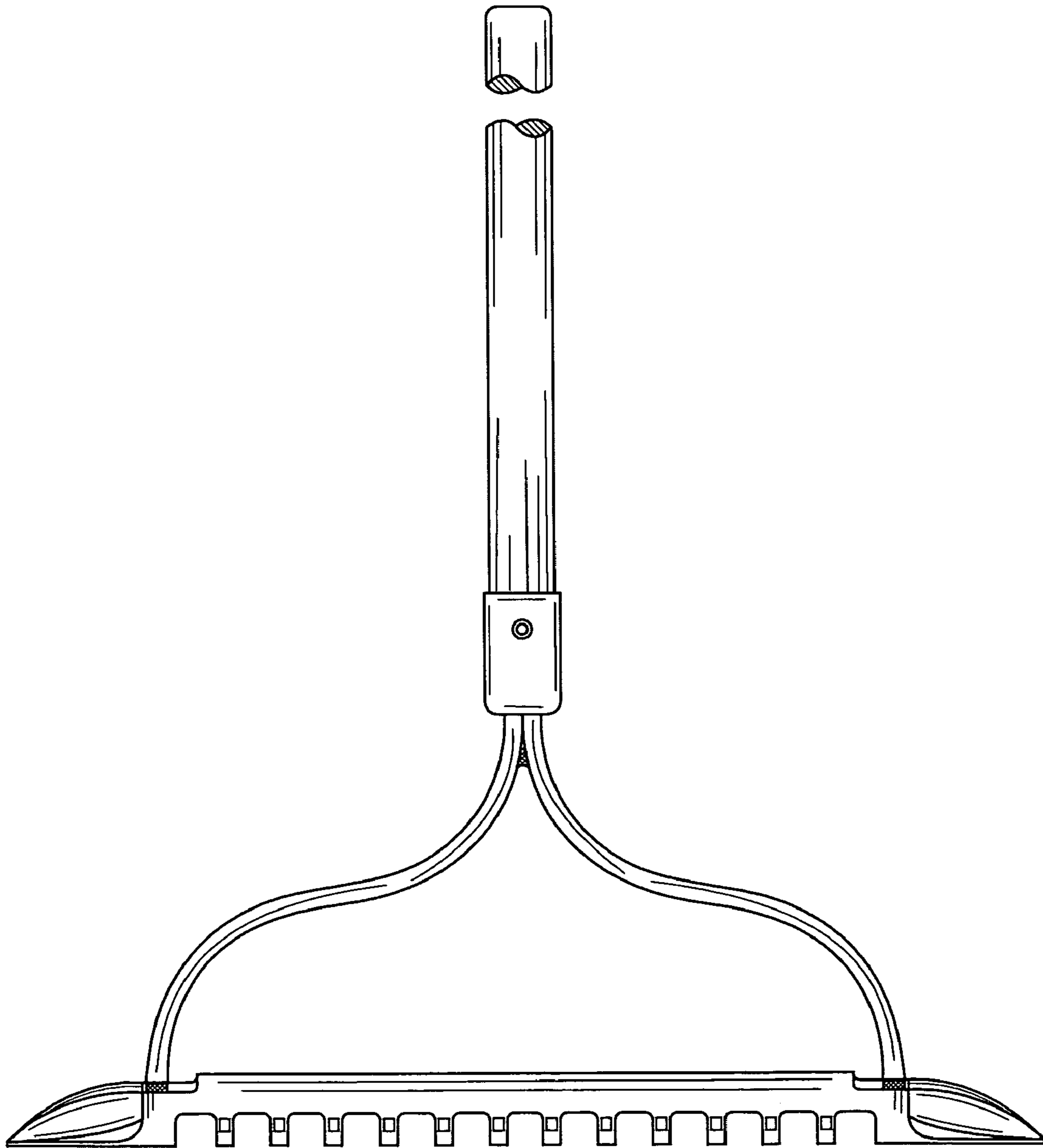


FIG. 4

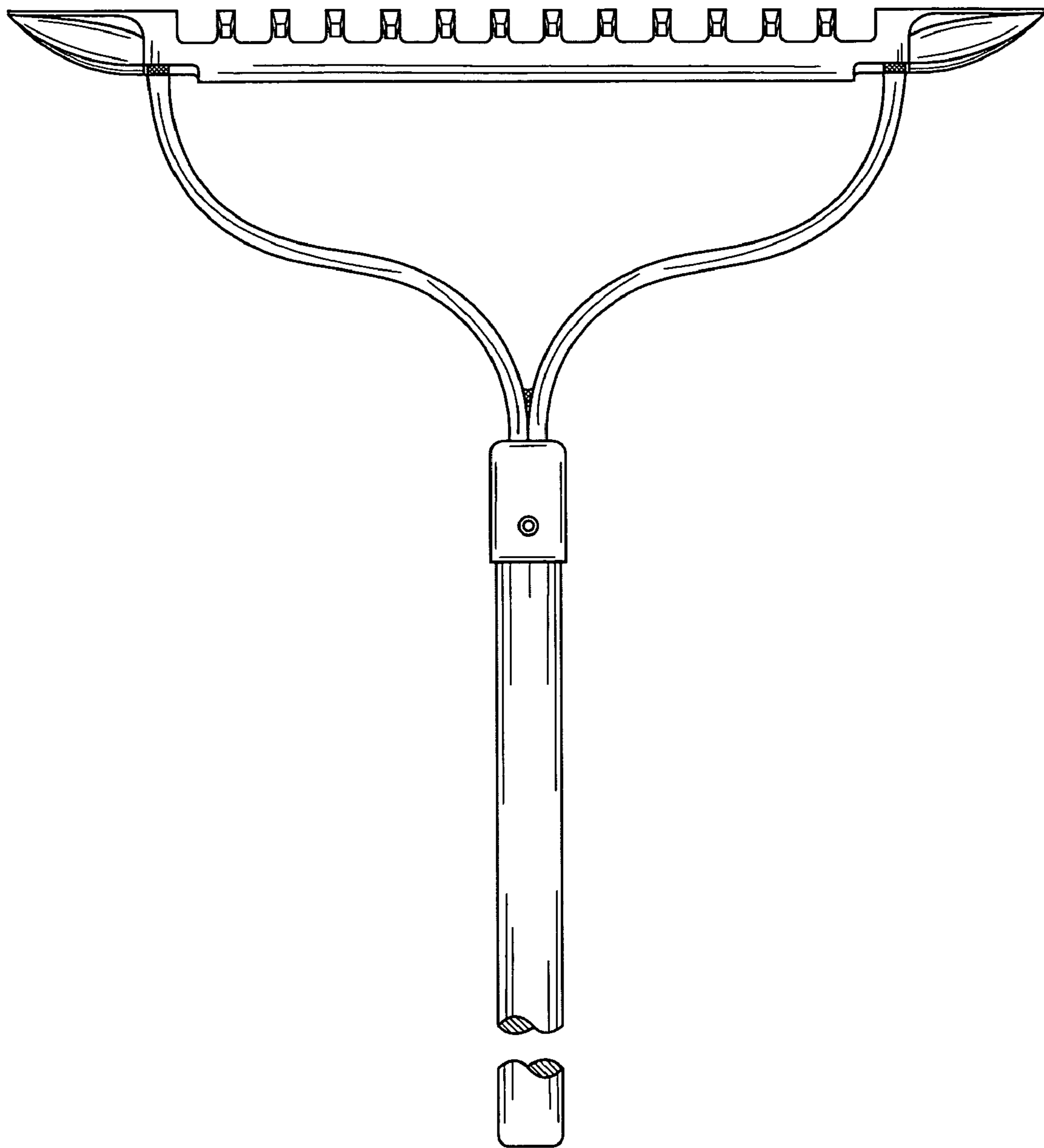


FIG. 5

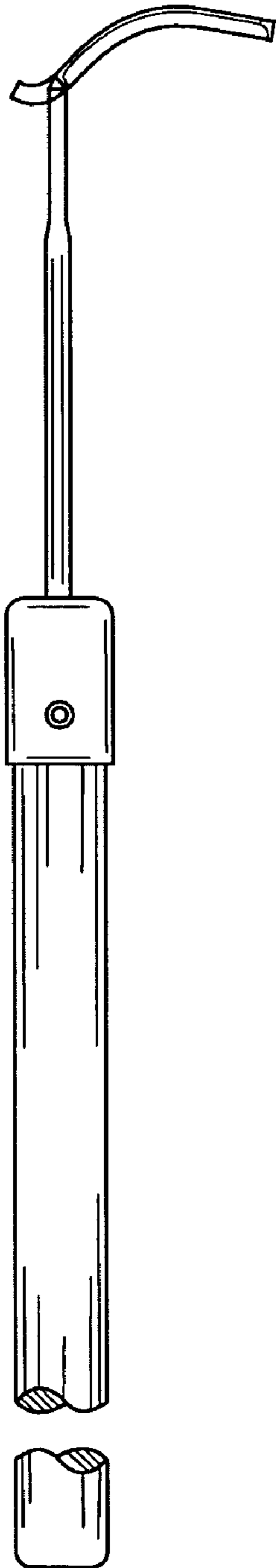


FIG. 6

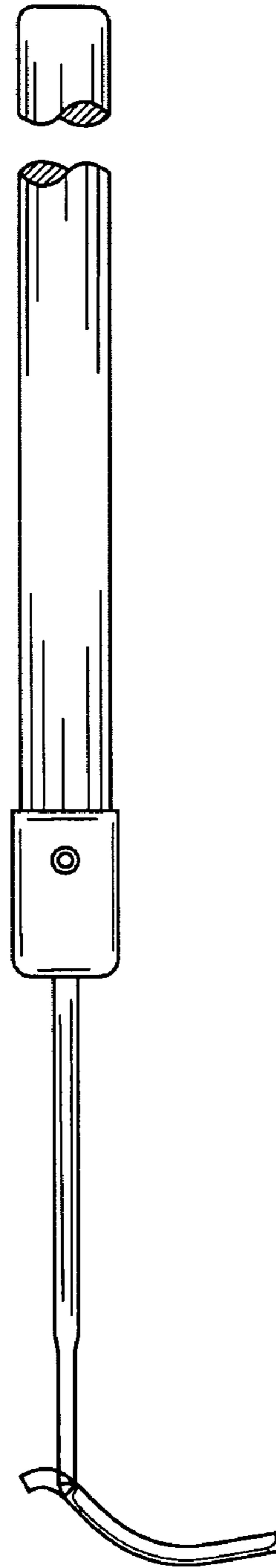


FIG. 7