



US00D592021S

(12) **United States Design Patent**  
**Heintzinger**

(10) **Patent No.:** **US D592,021 S**  
(45) **Date of Patent:** **\*\* May 12, 2009**

(54) **ROASTING STICK FOR OPEN FIRE ROASTING**

**DESCRIPTION**

(76) Inventor: **Thomas A Heintzinger**, 10204 SE.  
270th Pl., Kent, WA (US) 98031

(\*\*) Term: **14 Years**

(21) Appl. No.: **29/323,784**

(22) Filed: **Aug. 29, 2008**

(51) **LOC (9) Cl.** ..... **07-06**

(52) **U.S. Cl.** ..... **D7/684**

(58) **Field of Classification Search** ..... D7/683,  
D7/684, 686, 387; 294/1.1, 5, 26, 50, 55.5,  
294/61; 99/419, 427, 421 A, 421 H, 441  
See application file for complete search history.

(56) **References Cited**

**U.S. PATENT DOCUMENTS**

D192,256 S *	2/1962	Ackerson	.....	D7/686
6,012,749 A *	1/2000	Farber et al.	.....	294/5
D502,631 S *	3/2005	Burke	.....	D7/387
D541,113 S *	4/2007	West et al.	.....	D7/684
D541,114 S *	4/2007	West et al.	.....	D7/684

\* cited by examiner

*Primary Examiner*—Terry A Wallace

(74) *Attorney, Agent, or Firm*—David L. Tingey

(57) **CLAIM**

I claim the ornamental design for a roasting stick for open fire roasting, as shown and described.

FIG. 1 is perspective view of a roasting stick for open fire roasting in a form of a stick figure suggestive of a person, the roasting stick for open fire roasting comprising a shank and a first tine on a shank first end shown with an article of food to be roasted mounted on the first tine. Also shown is a second tine spaced apart from the first tine. Also on the shank first end is a body component, two arm components, two leg components and a head component to which the tine is attached, all configured as shown.

FIG. 2 is a perspective view of the roasting stick for open fire roasting of FIG. 1 shown with the article of food mounted on the second tine instead of the first tine.

FIG. 3 is a perspective view of the roasting stick for open fire roasting of FIG. 1 shown with no food article mounted on the tines.

FIG. 4 is a top view of the roasting stick for open fire roasting of FIG. 1.

FIG. 5 is a bottom view of the roasting stick for open fire roasting of FIG. 1.

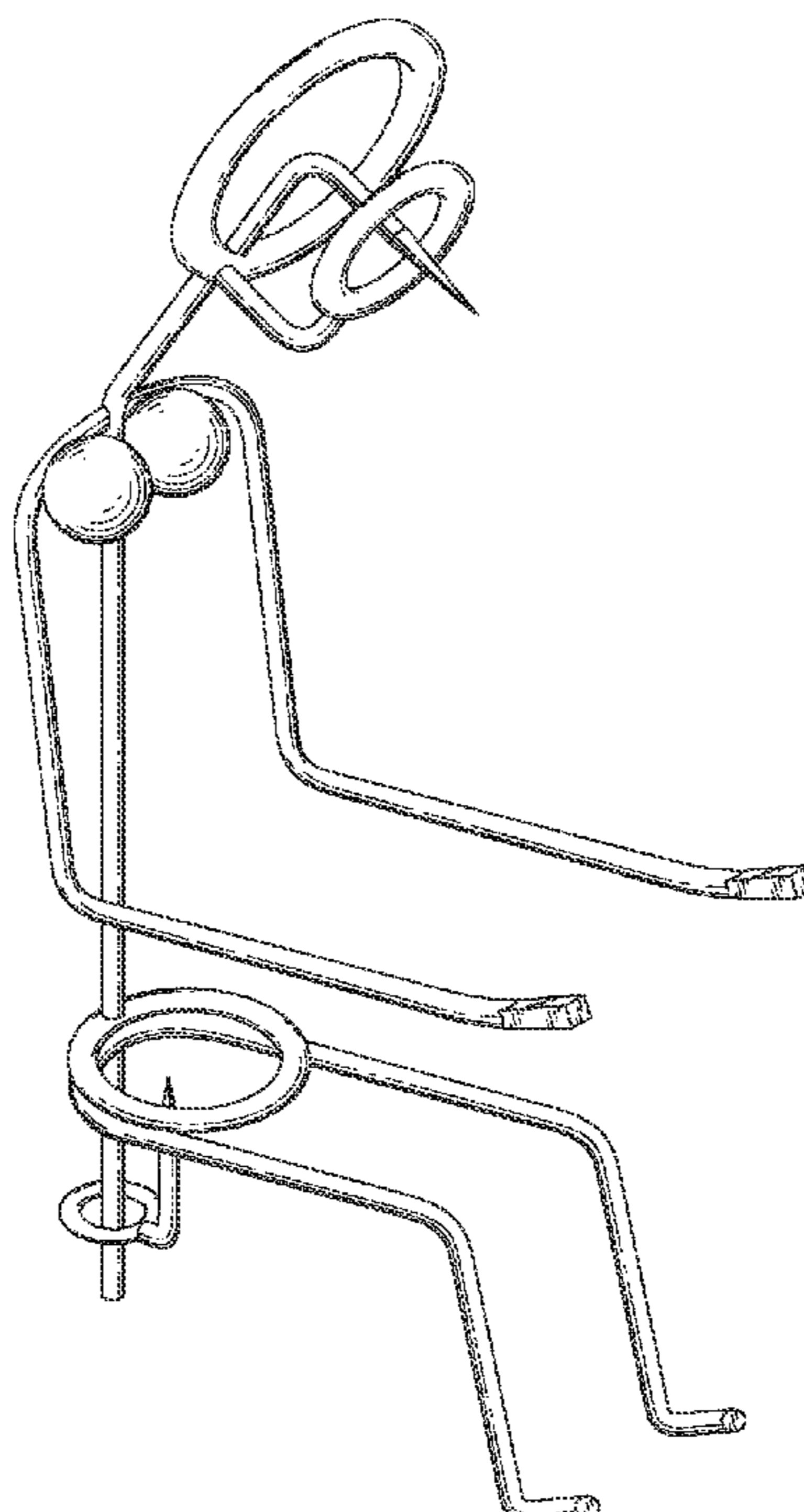
FIG. 6 is a side view of the roasting stick for open fire roasting of FIG. 1.

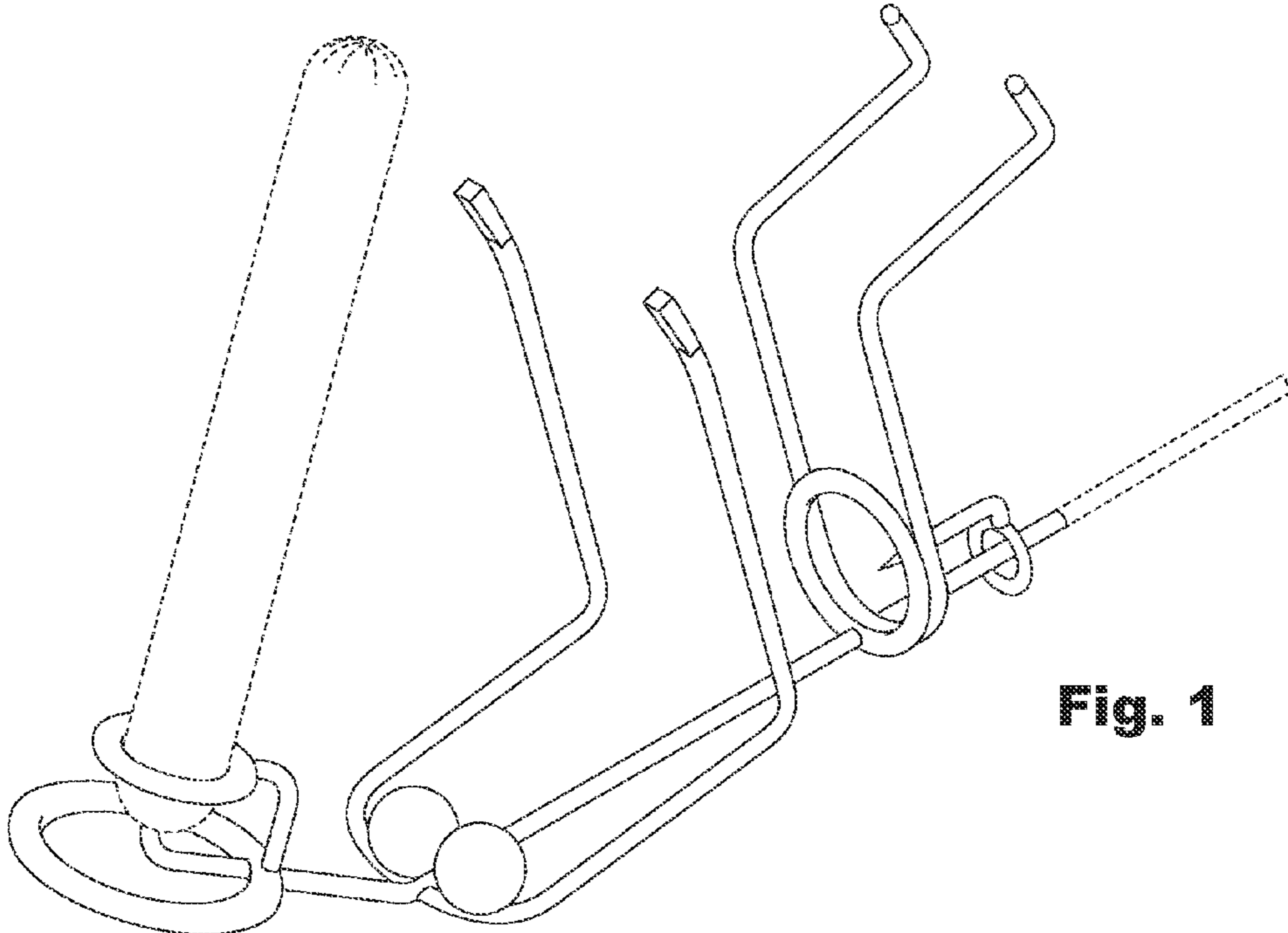
FIG. 7 is a front end view of the roasting stick for open fire roasting of FIG. 1; and,

FIG. 8 is a back end view of the roasting stick for open fire roasting of FIG. 1.

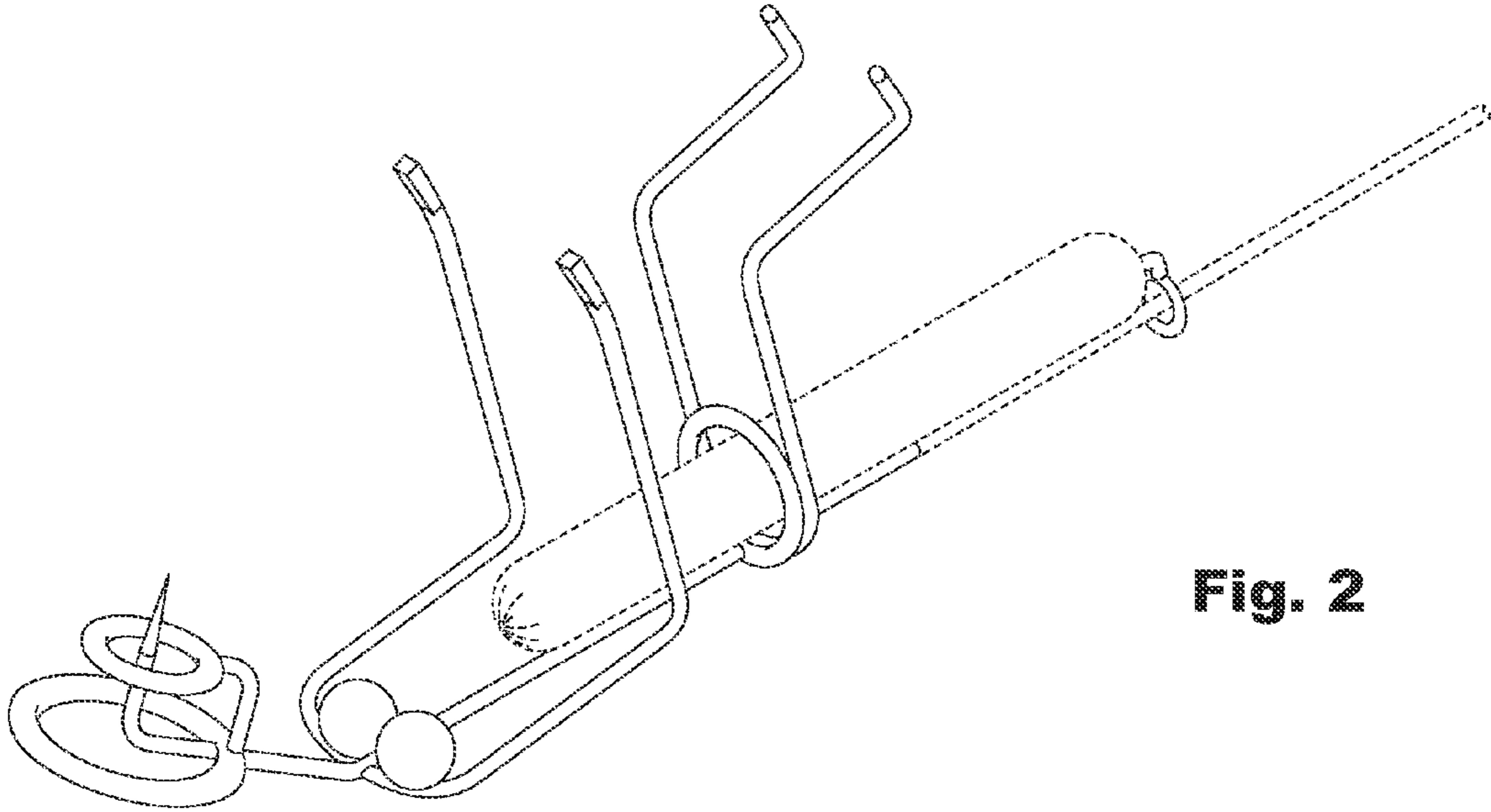
The broken lines showing the article of food is for illustrative purposes only and form no part of the claimed design.

**1 Claim, 4 Drawing Sheets**

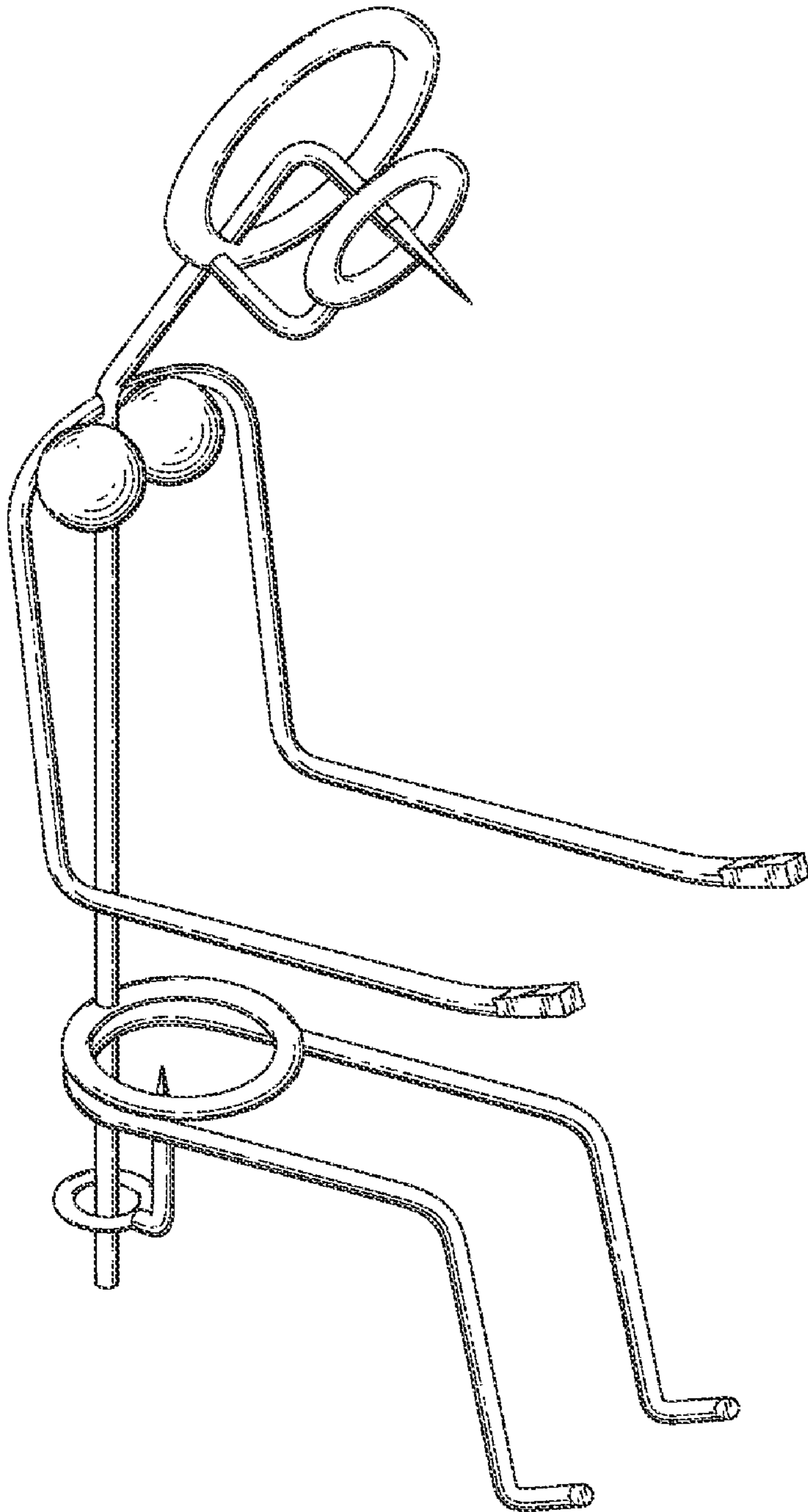




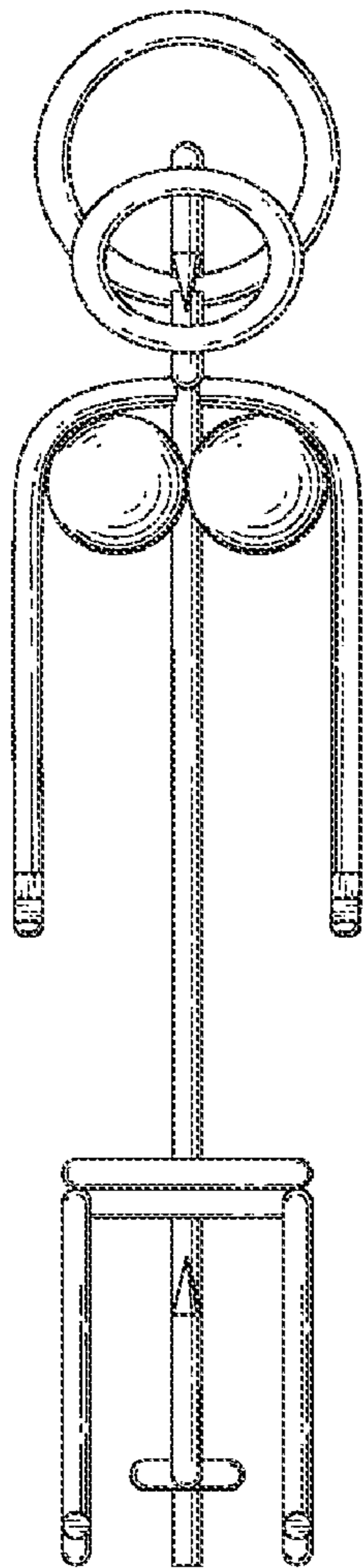
**Fig. 1**



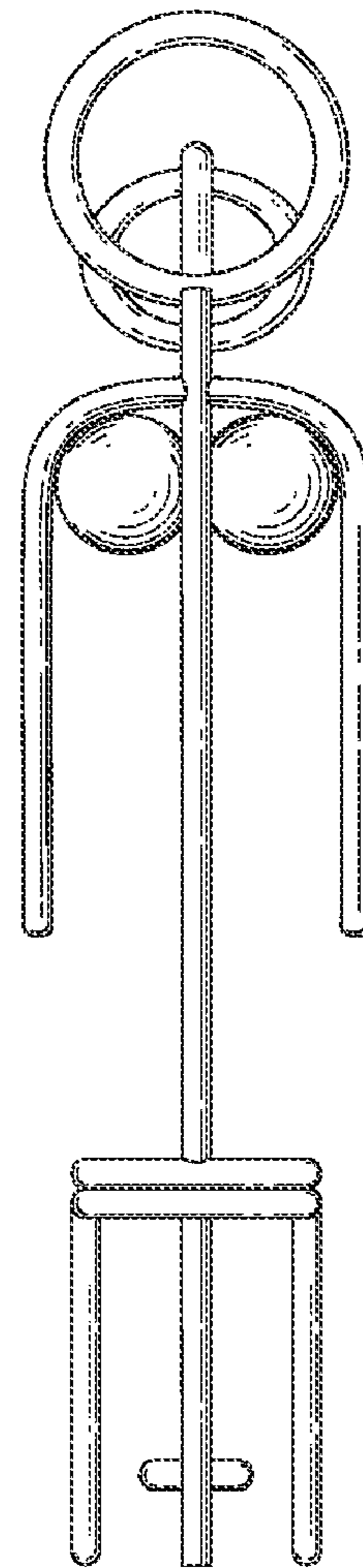
**Fig. 2**



**Fig. 3**

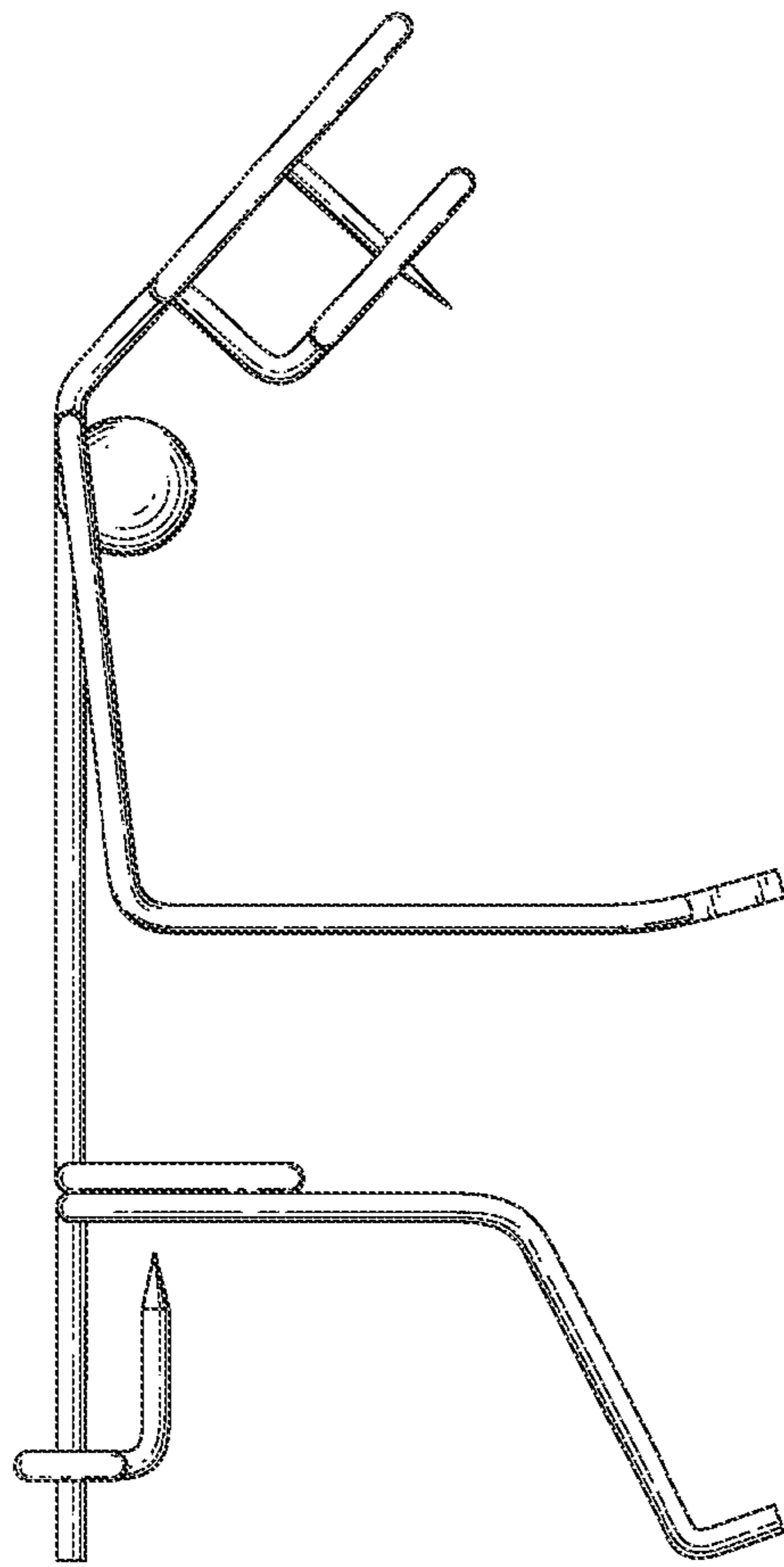


**Fig. 4**

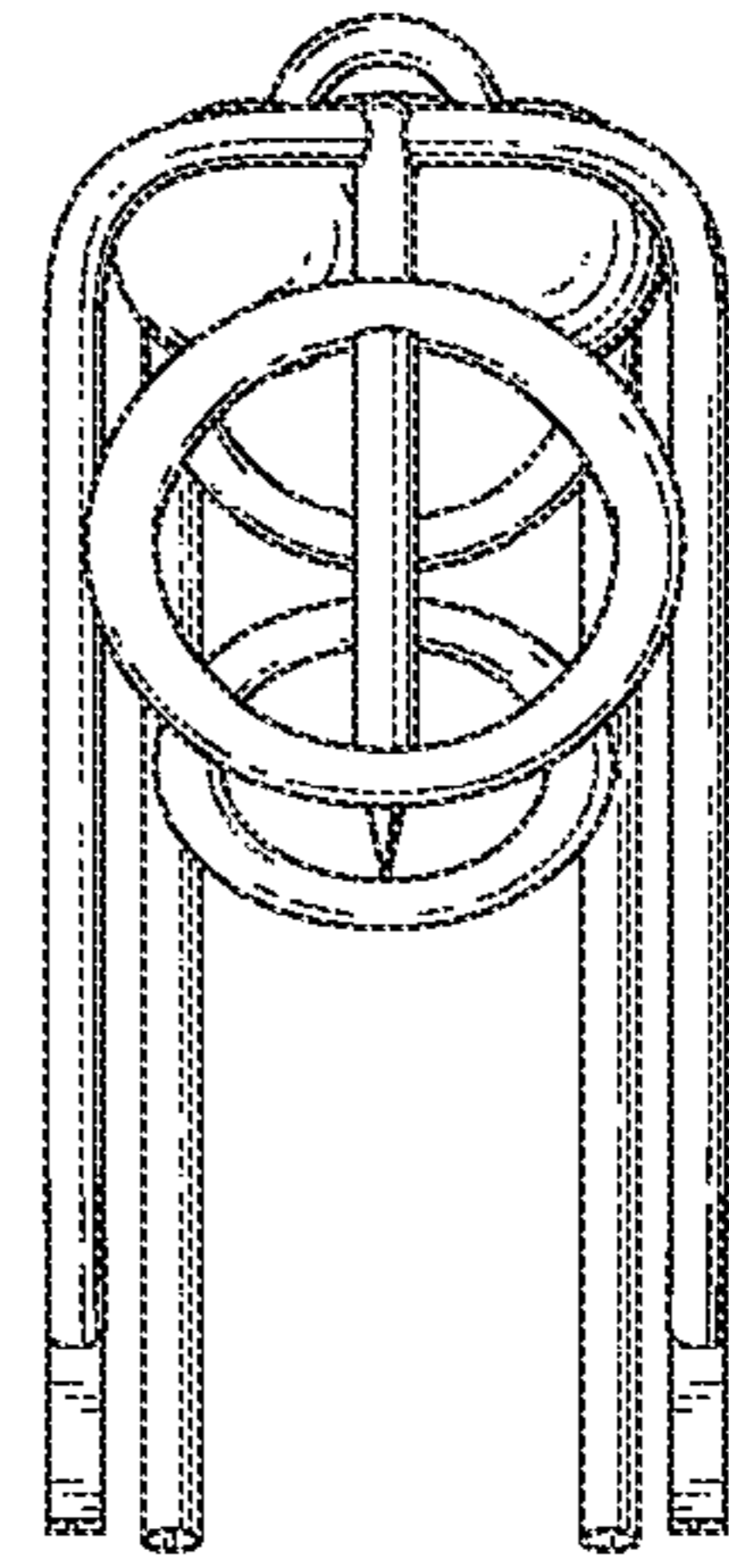


**Fig. 5**

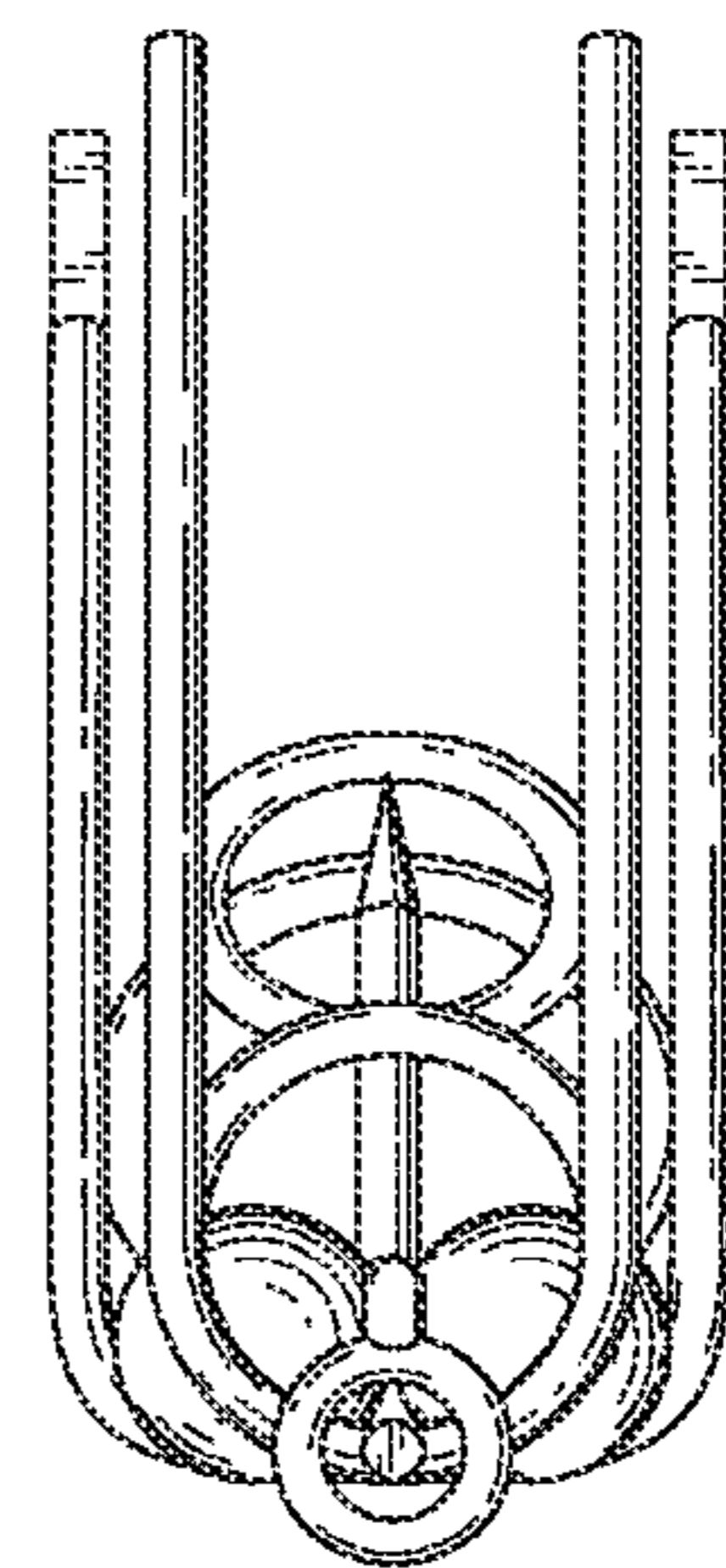




**Fig. 6**



**Fig. 7**



**Fig. 8**