

US00D592020S

(12) **United States Design Patent**
Greiner

(10) **Patent No.:** **US D592,020 S**

(45) **Date of Patent:** **** May 12, 2009**

(54) **KITCHEN EQUIPMENT**

(75) Inventor: **Ulrich Greiner**, Neu-Ulm (DE)

(73) Assignee: **Swizzprozz AG** (CH)

(**) Term: **14 Years**

(21) Appl. No.: **29/295,607**

(22) Filed: **Oct. 2, 2007**

(30) **Foreign Application Priority Data**

Apr. 2, 2007 (CH) 133857

(51) **LOC (9) Cl.** **07-04**

(52) **U.S. Cl.** **D7/665; D7/384**

(58) **Field of Classification Search** D7/665-668,
D7/376, 381-386; 34/58; 99/479, 495, 511-513;
210/360.1, 380.1; 241/166, 169
See application file for complete search history.

(56) **References Cited**

U.S. PATENT DOCUMENTS

D257,203 S * 10/1980 Doyel D7/665
5,562,025 A * 10/1996 Bull et al. 99/495

D411,720 S * 6/1999 Lillelund et al. D7/665
6,622,618 B1 * 9/2003 Glucksman et al. 99/495
D542,603 S * 5/2007 Hood D7/665

* cited by examiner

Primary Examiner—Terry A Wallace

(74) *Attorney, Agent, or Firm*—Ostrolenk, Faber, Gerb & Soffen, LLP

(57) **CLAIM**

The ornamental design for a kitchen equipment, as shown and described.

DESCRIPTION

FIG. 1 is a top plan view of the kitchen equipment showing our new design;

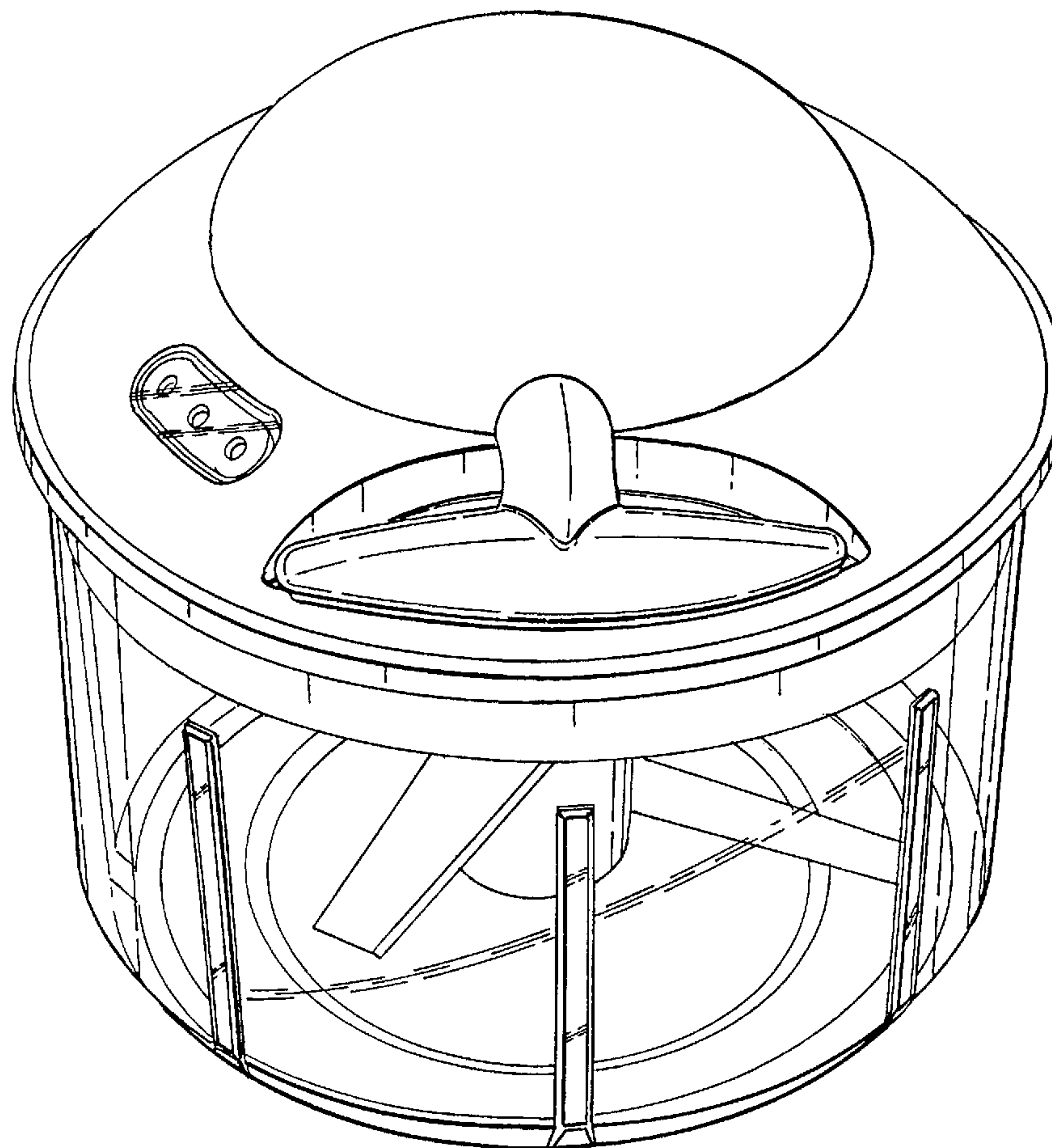
FIG. 2 is a top and front perspective view thereof;

FIG. 3 is a top and right side perspective view thereof;

FIG. 4 is a top and rear perspective view thereof; and,

FIG. 5 is a top and left side perspective view thereof.

1 Claim, 5 Drawing Sheets



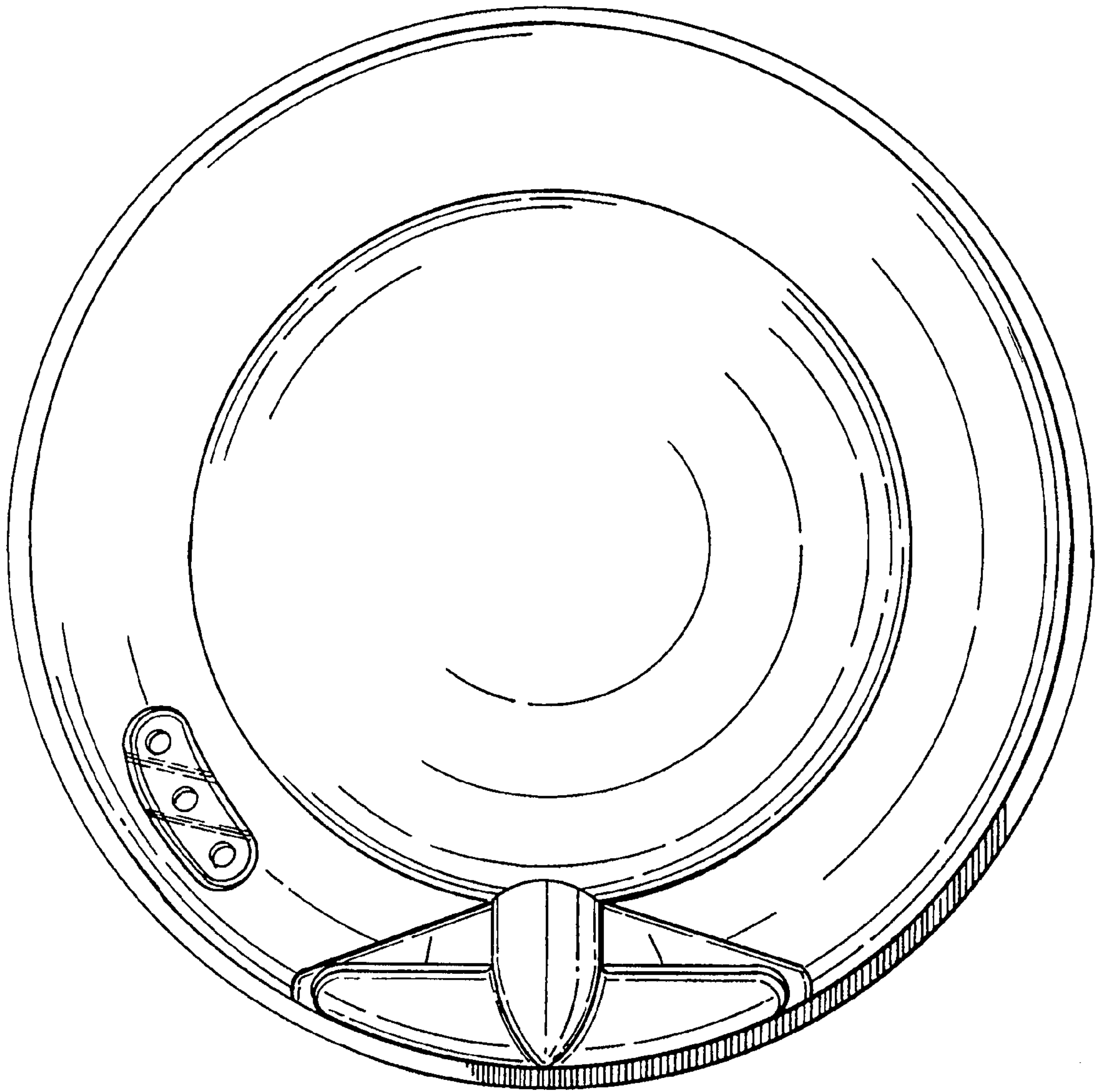


Fig. 1

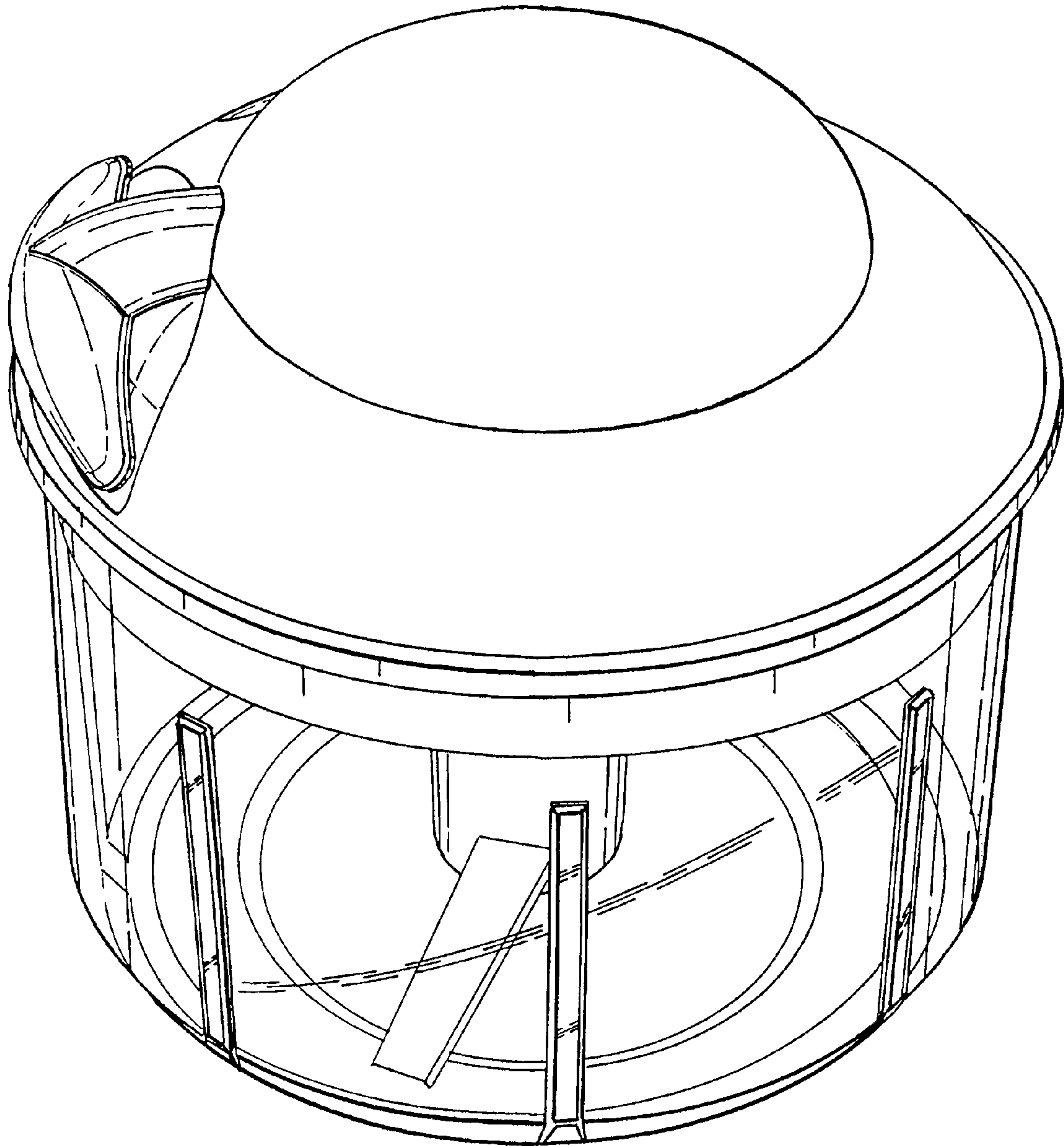


Fig. 2

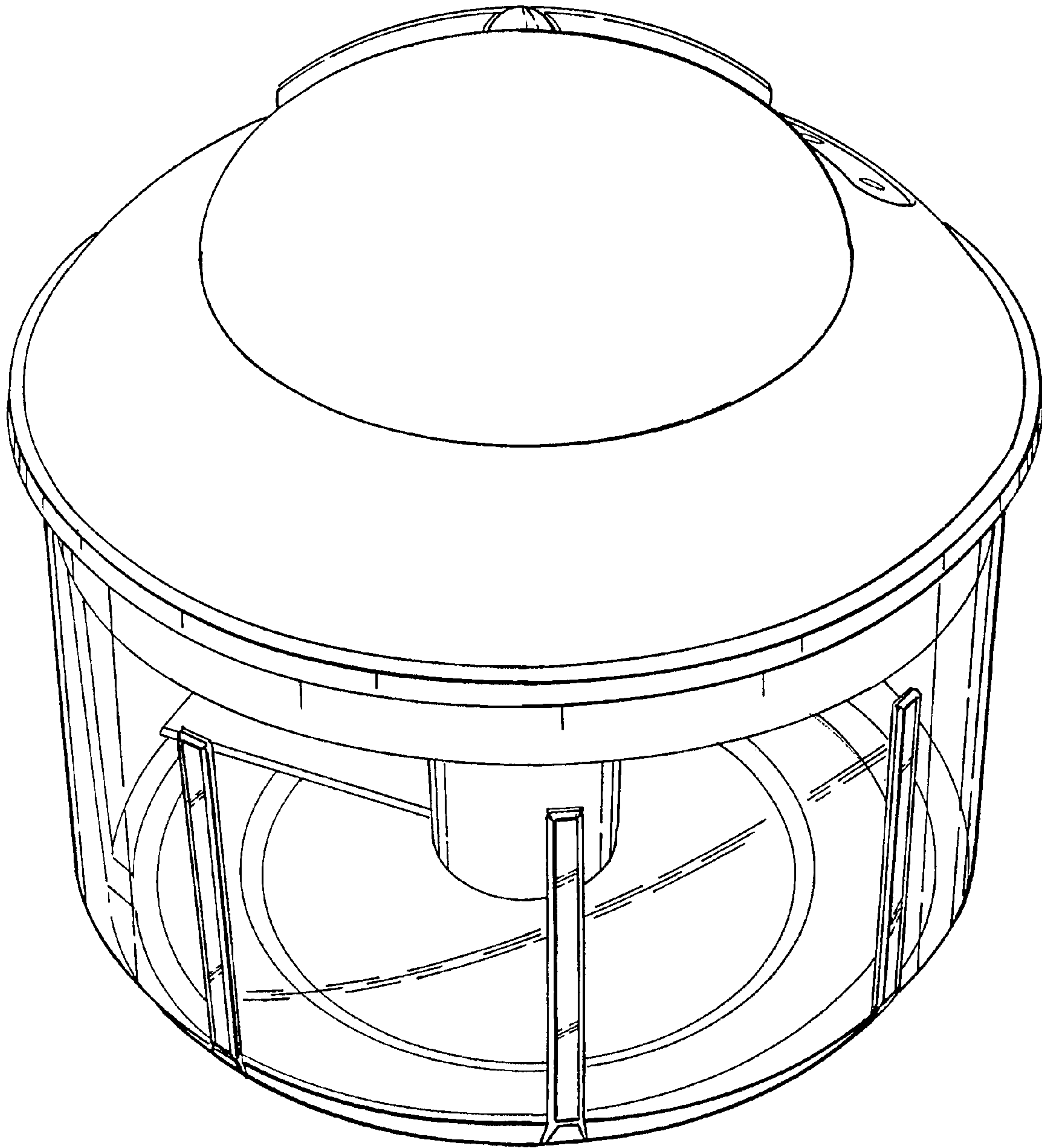


Fig. 3

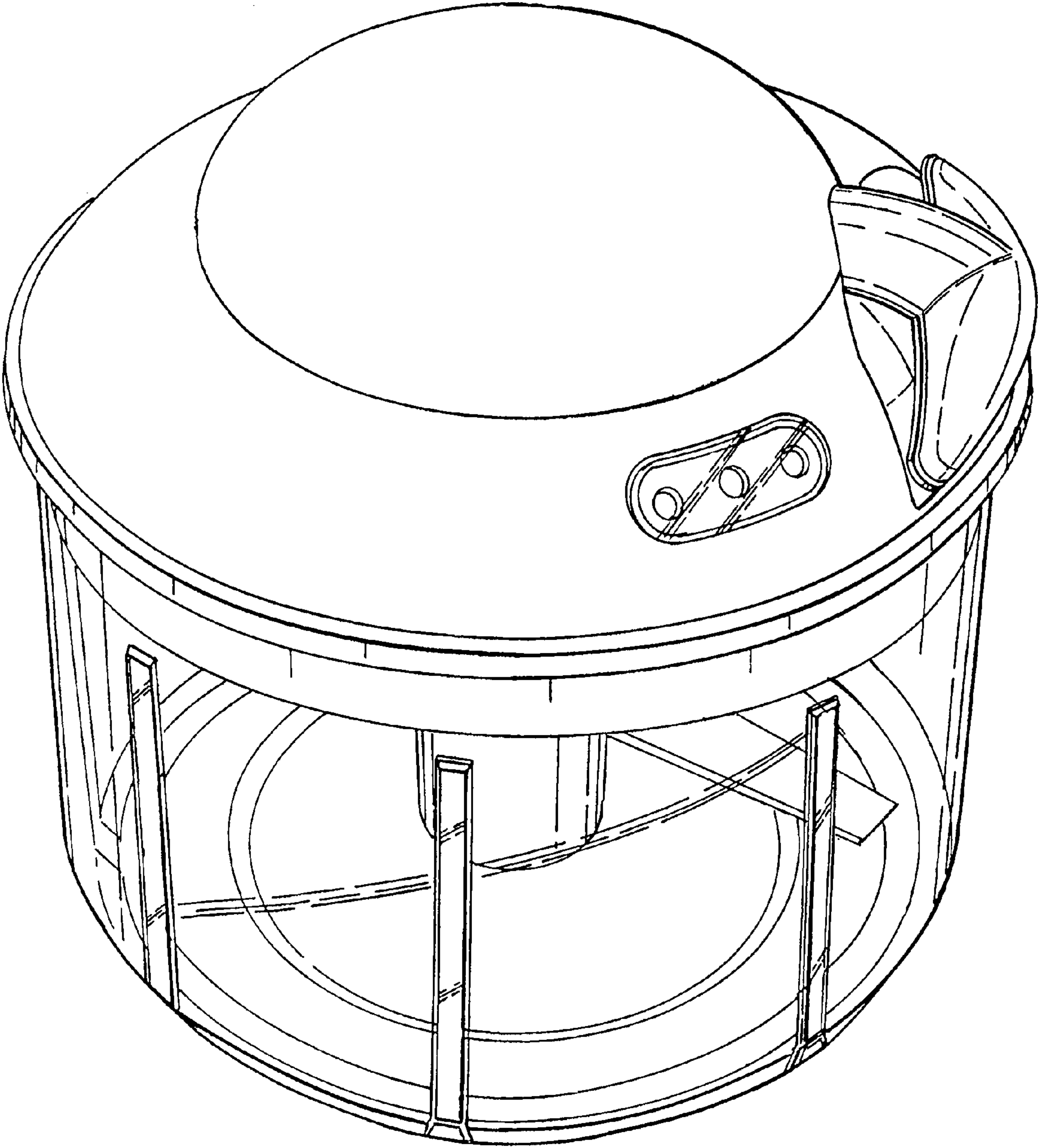


Fig. 4

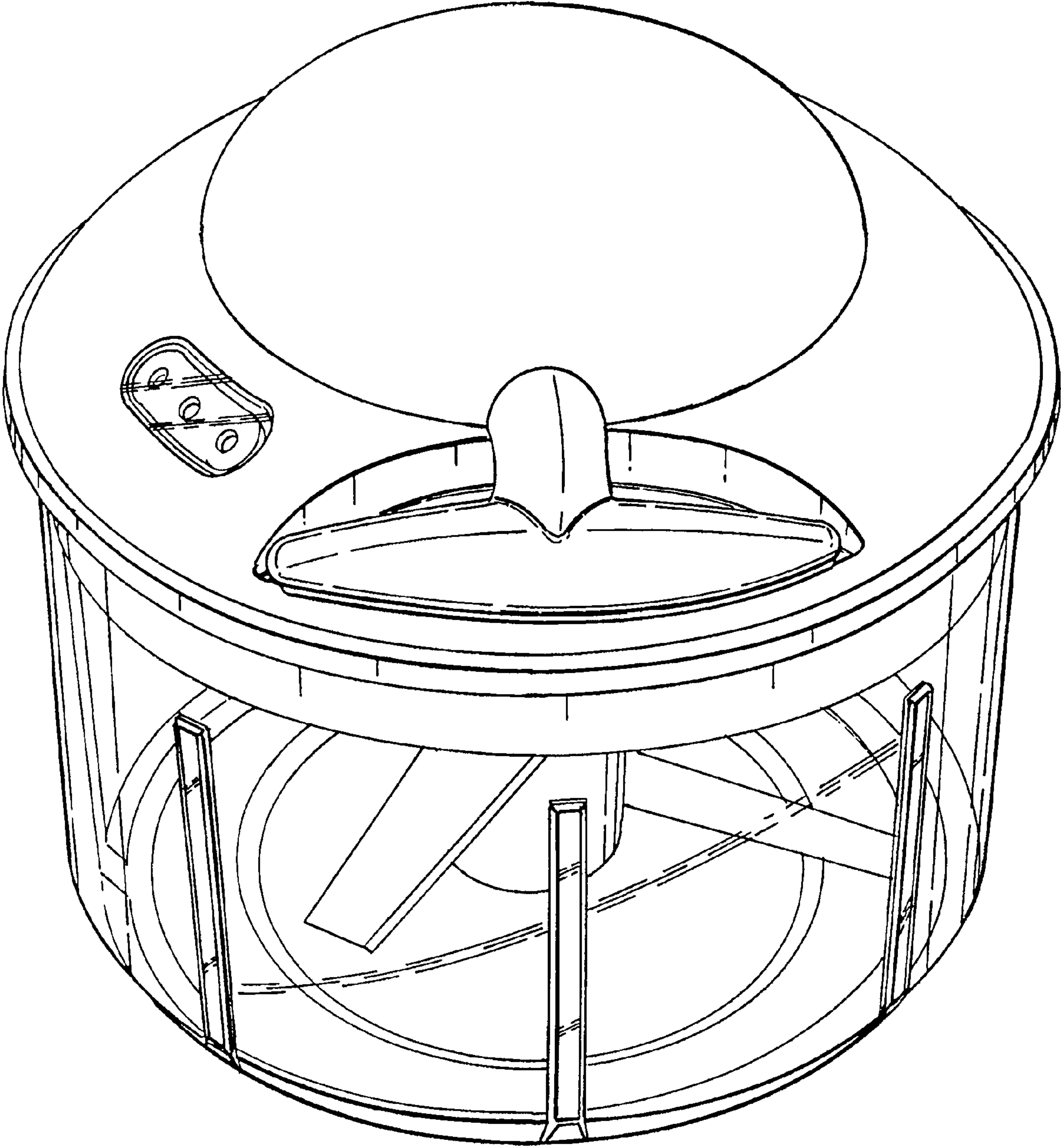


Fig. 5