



US00D592019S

(12) **United States Design Patent**  
**Holcomb et al.**

(10) **Patent No.:** **US D592,019 S**

(45) **Date of Patent:** **\*\* May 12, 2009**

(54) **UTENSIL**

(75) Inventors: **David A. Holcomb**, Seattle, WA (US);  
**Jonah S. Griffith**, Seattle, WA (US)

(73) Assignee: **Chef'n Corporation**, Seattle, WA (US)

(\*\*) Term: **14 Years**

(21) Appl. No.: **29/296,077**

(22) Filed: **Oct. 12, 2007**

(51) **LOC (9) Cl.** ..... **07-03**

(52) **U.S. Cl.** ..... **D7/643**

(58) **Field of Classification Search** ..... D7/368,  
D7/395, 401.2, 642-647, 649-654, 660-669,  
D7/675-676, 683, 688-692, 695-696; D10/57;  
30/137, 141-143, 147-150, 322-327, 329,  
30/340, 342-346; 416/70 R

See application file for complete search history.

(56) **References Cited**

**U.S. PATENT DOCUMENTS**

D179,274 S \* 11/1956 Stier ..... D7/653  
D240,790 S \* 8/1976 Daenen ..... D7/653  
D318,990 S \* 8/1991 Giugiaro ..... D7/691  
D375,234 S \* 11/1996 Jørgensen ..... D7/691  
5,890,223 A \* 4/1999 Klemmer ..... 30/150

D413,049 S \* 8/1999 Bergkvist ..... D7/653  
D535,575 S \* 1/2007 Howansky et al. .... D10/57  
2003/0029044 A1 \* 2/2003 Mattson et al. .... 30/324

\* cited by examiner

*Primary Examiner*—Caron Veynar

*Assistant Examiner*—Ricky Pham

(74) *Attorney, Agent, or Firm*—Seed IP Law Group PLLC

(57) **CLAIM**

The ornamental design for utensil, as shown and described.

**DESCRIPTION**

FIG. 1 is an isometric view of utensil showing our new design.

FIG. 2 is a top plan view thereof.

FIG. 3 is a rear elevation view thereof.

FIG. 4 is a right side elevation view thereof.

FIG. 5 is a bottom plan view thereof.

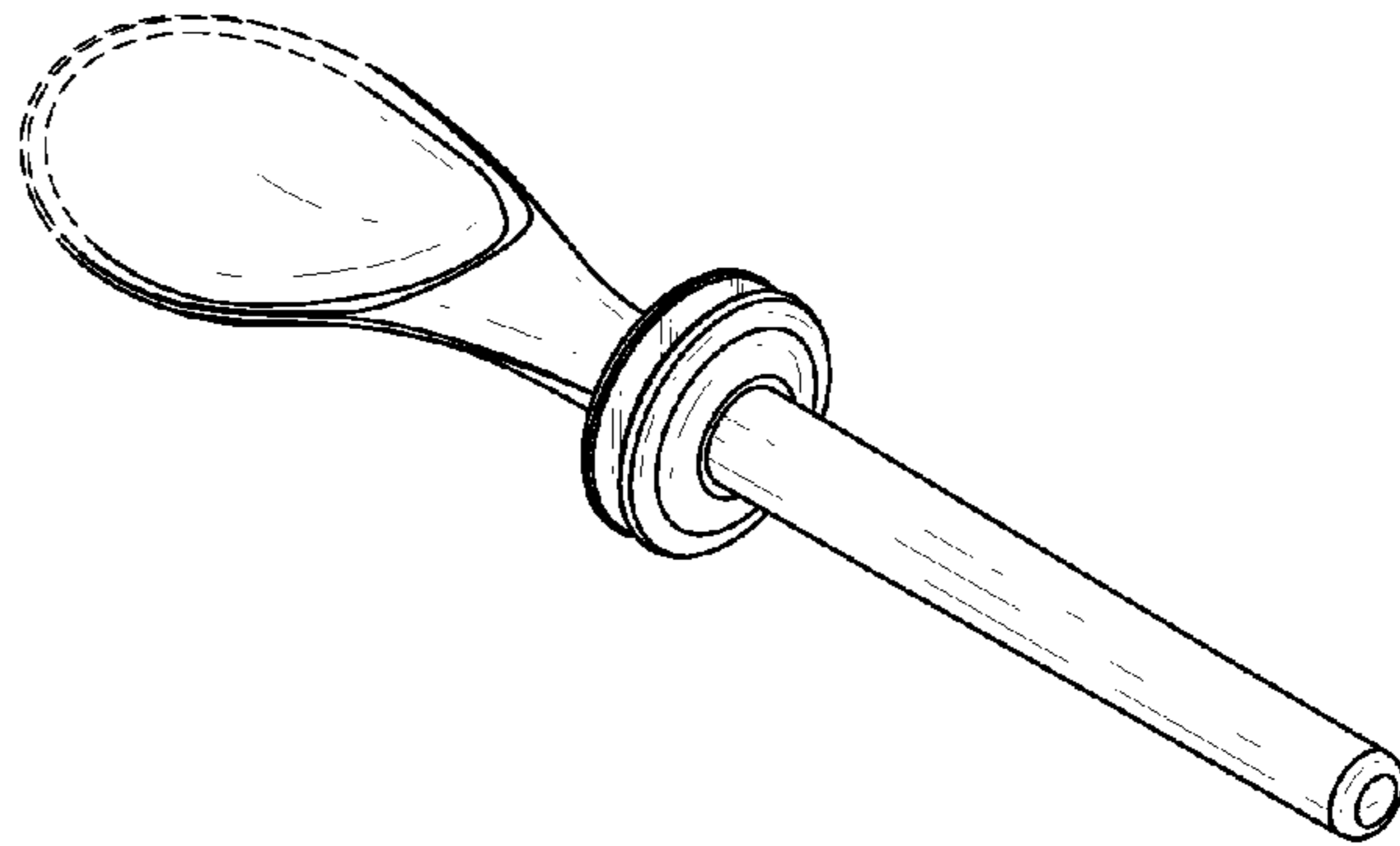
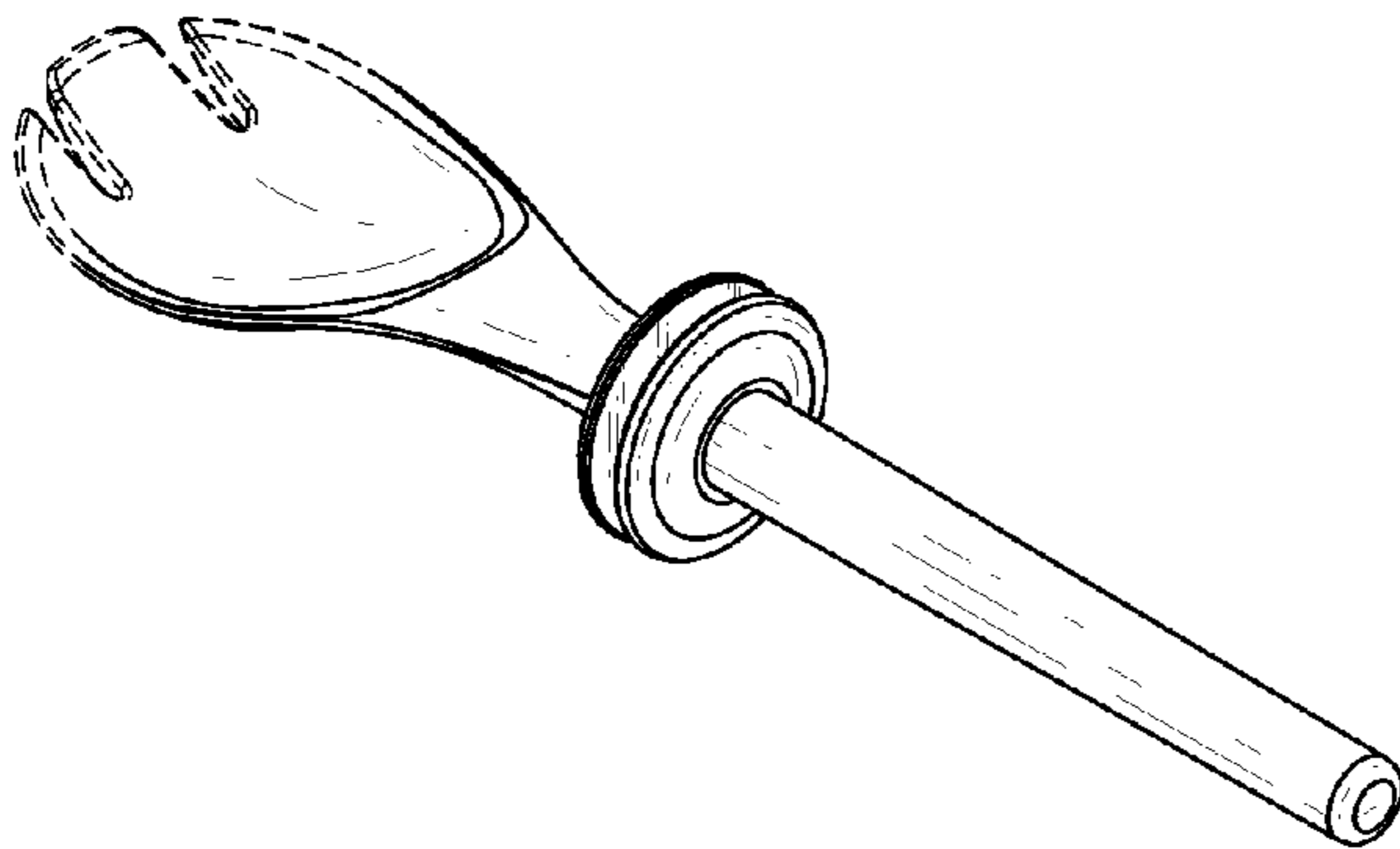
FIG. 6 is a left side elevation view thereof.

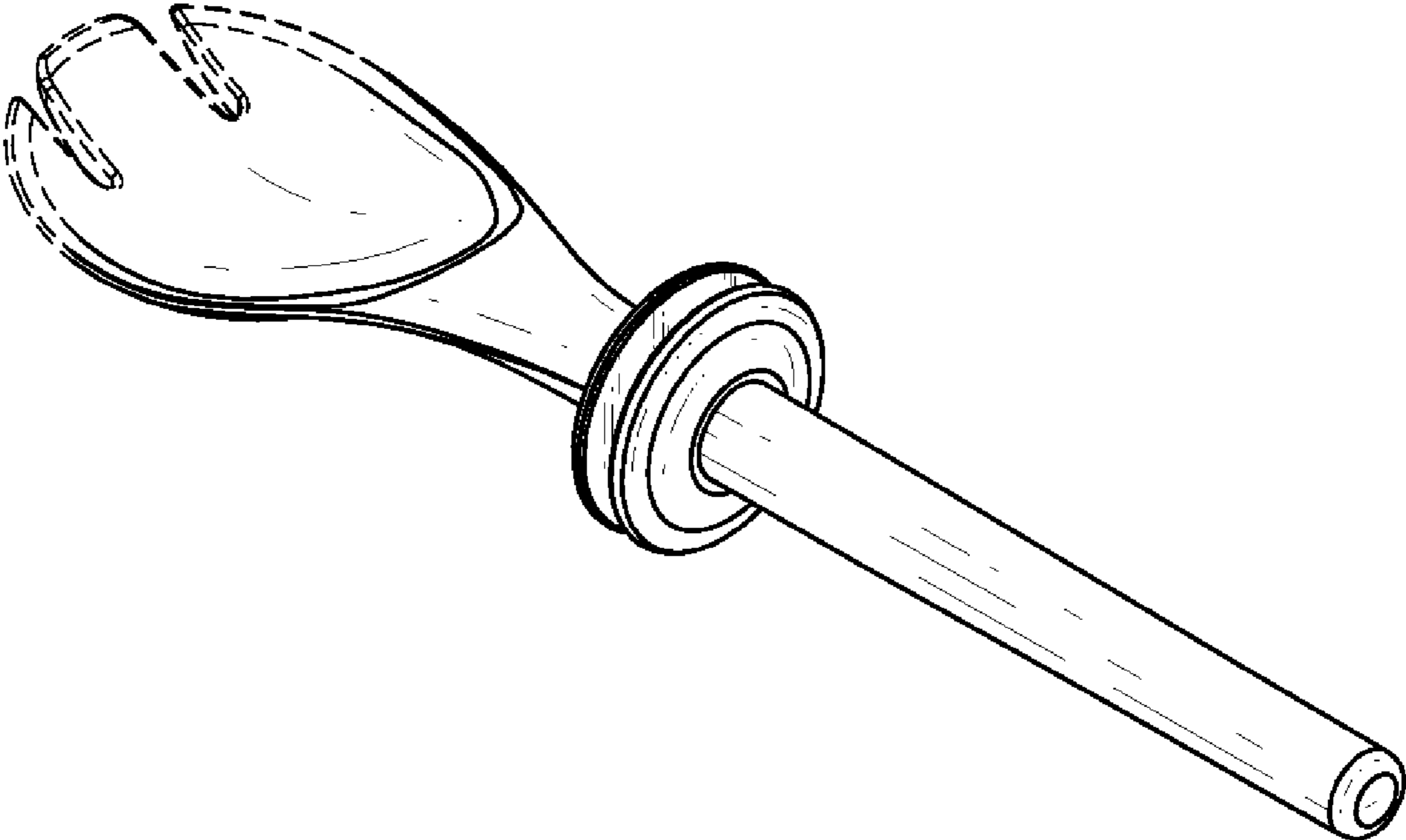
FIG. 7 is a front elevation view thereof; and,

FIG. 8 is an isometric view of an alternate embodiment thereof.

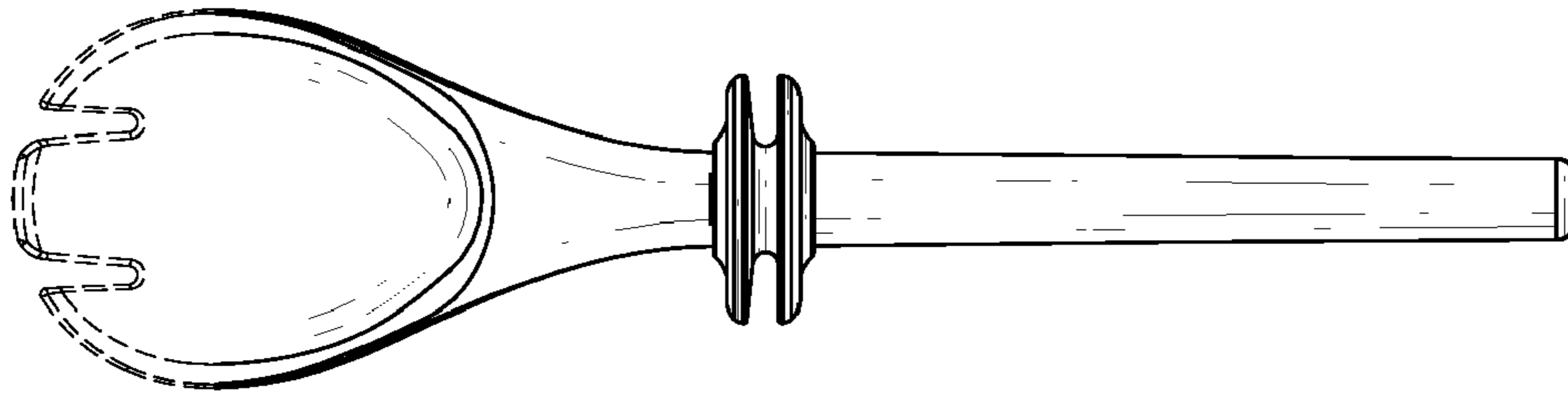
The broken lines in the figures are for illustrative purposes only and form no part of the claimed design.

**1 Claim, 4 Drawing Sheets**

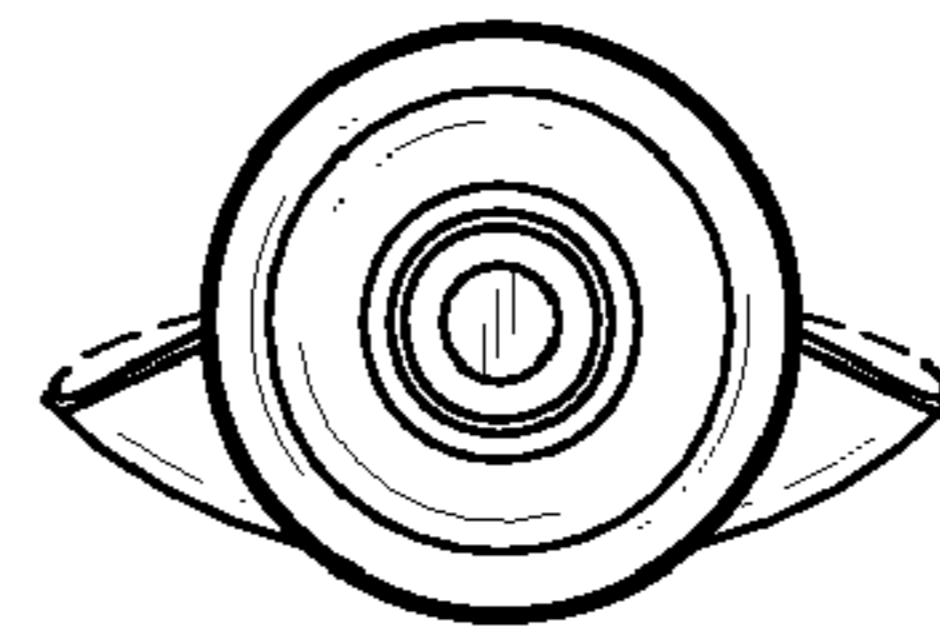




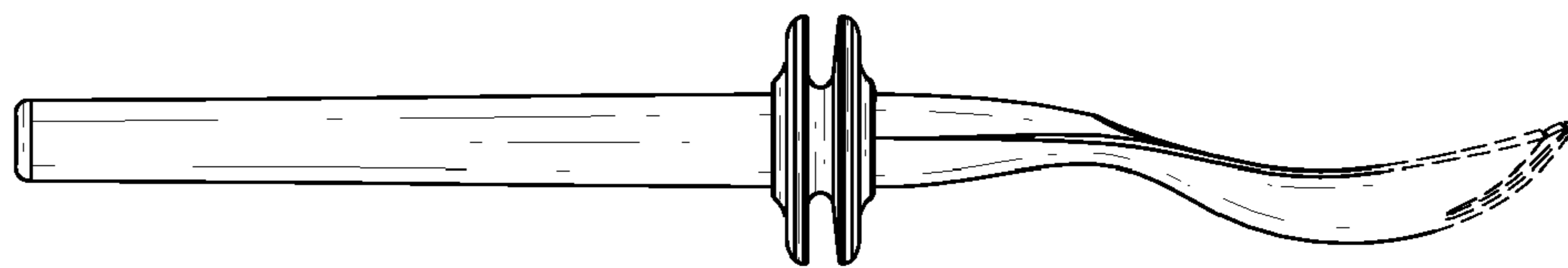
*FIG. 1*



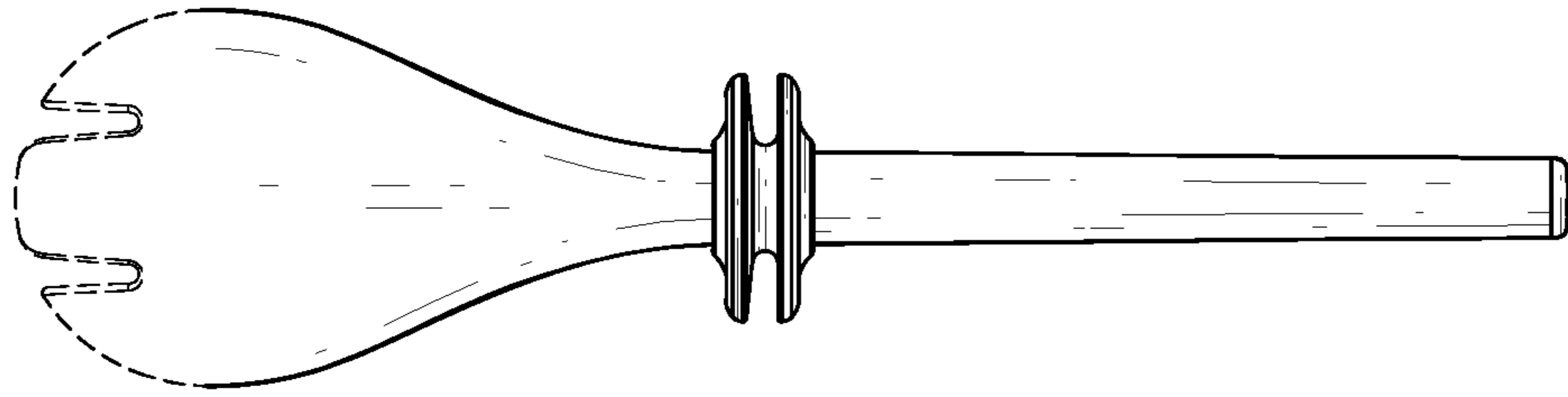
*FIG. 2*



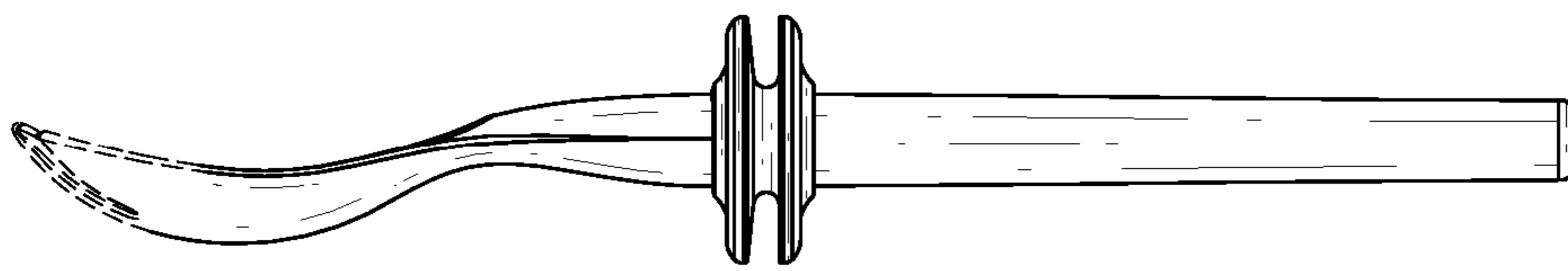
*FIG. 3*



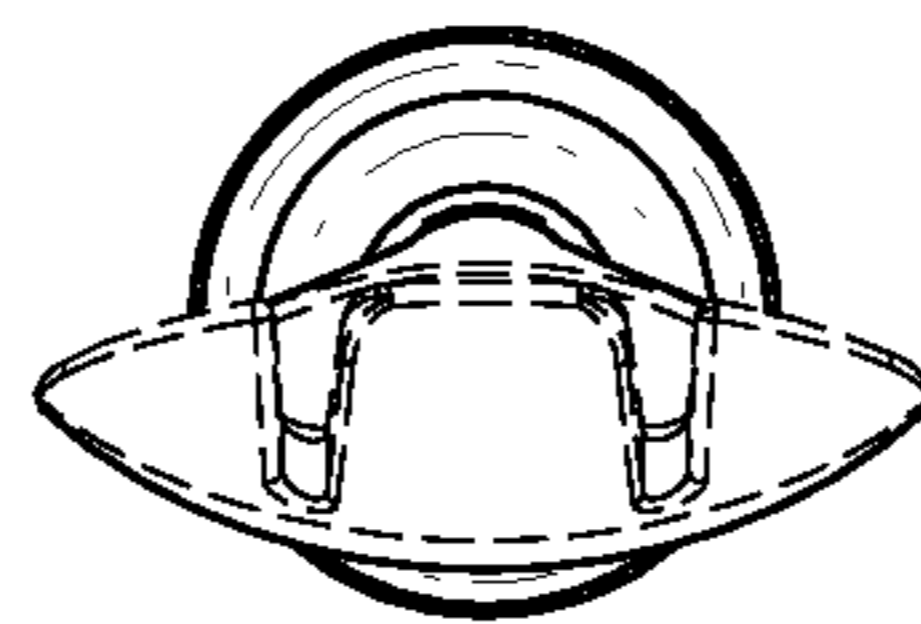
*FIG. 4*



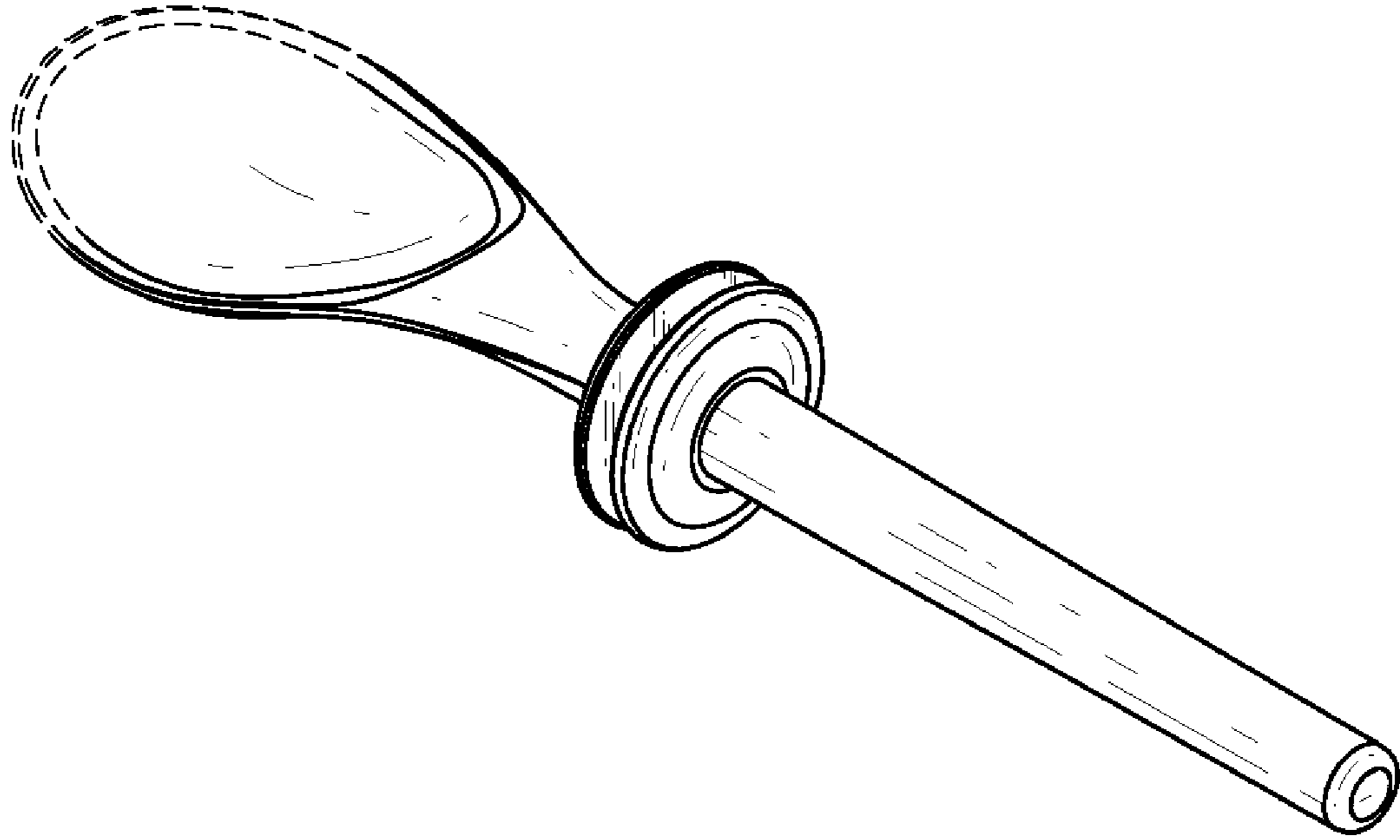
*FIG. 5*



*FIG. 6*



*FIG. 7*



*FIG. 8*